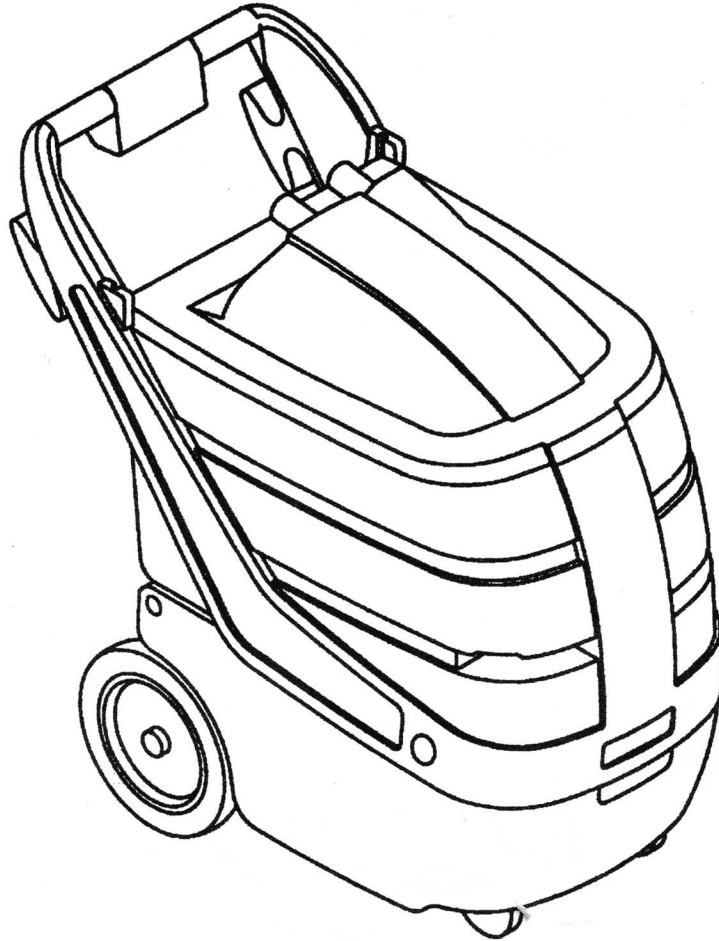


STEALTH

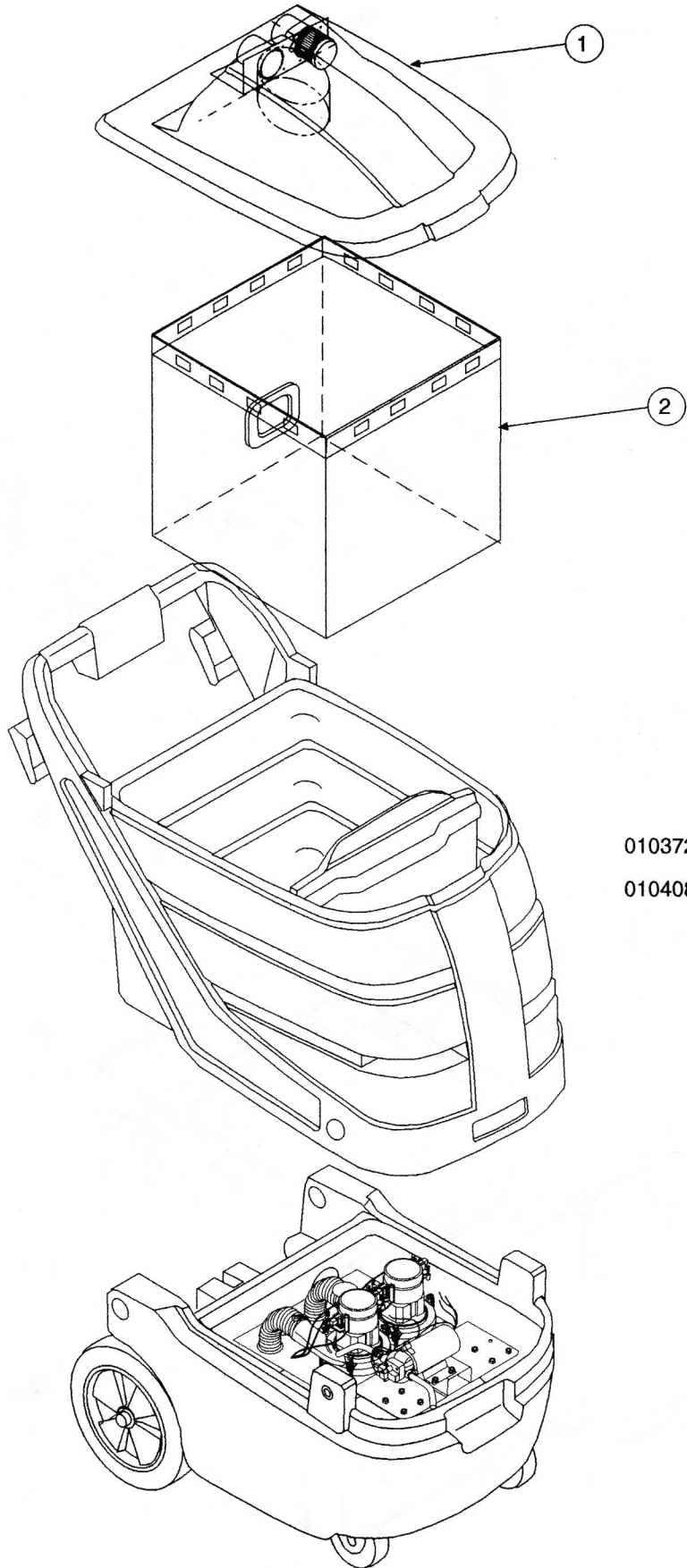
PARTS LIST



STEALTH 17G
1700S
1700E
1700HP
1700DV

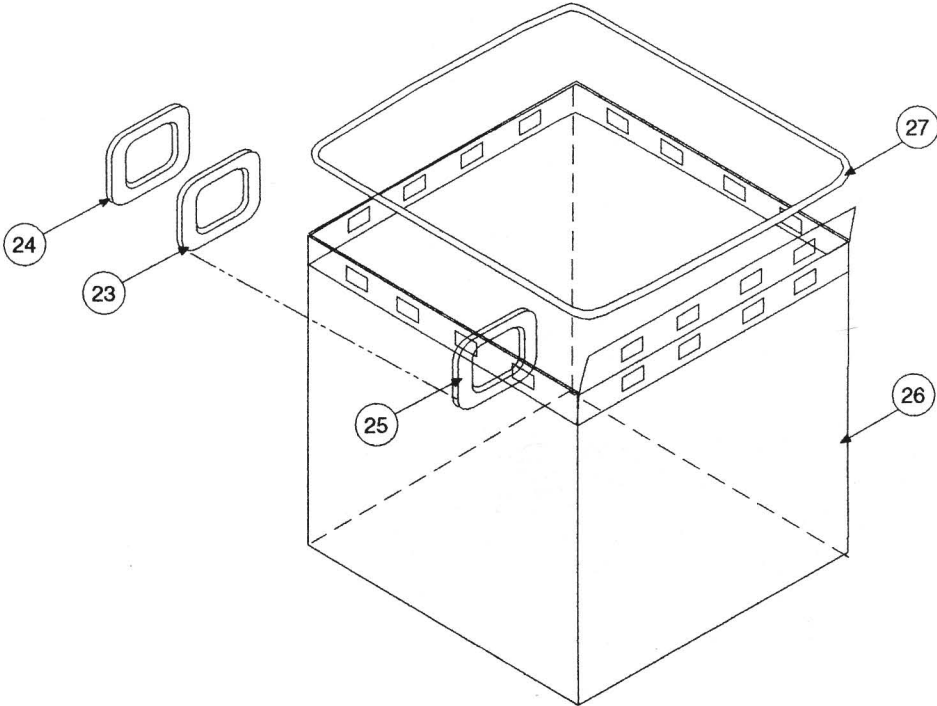
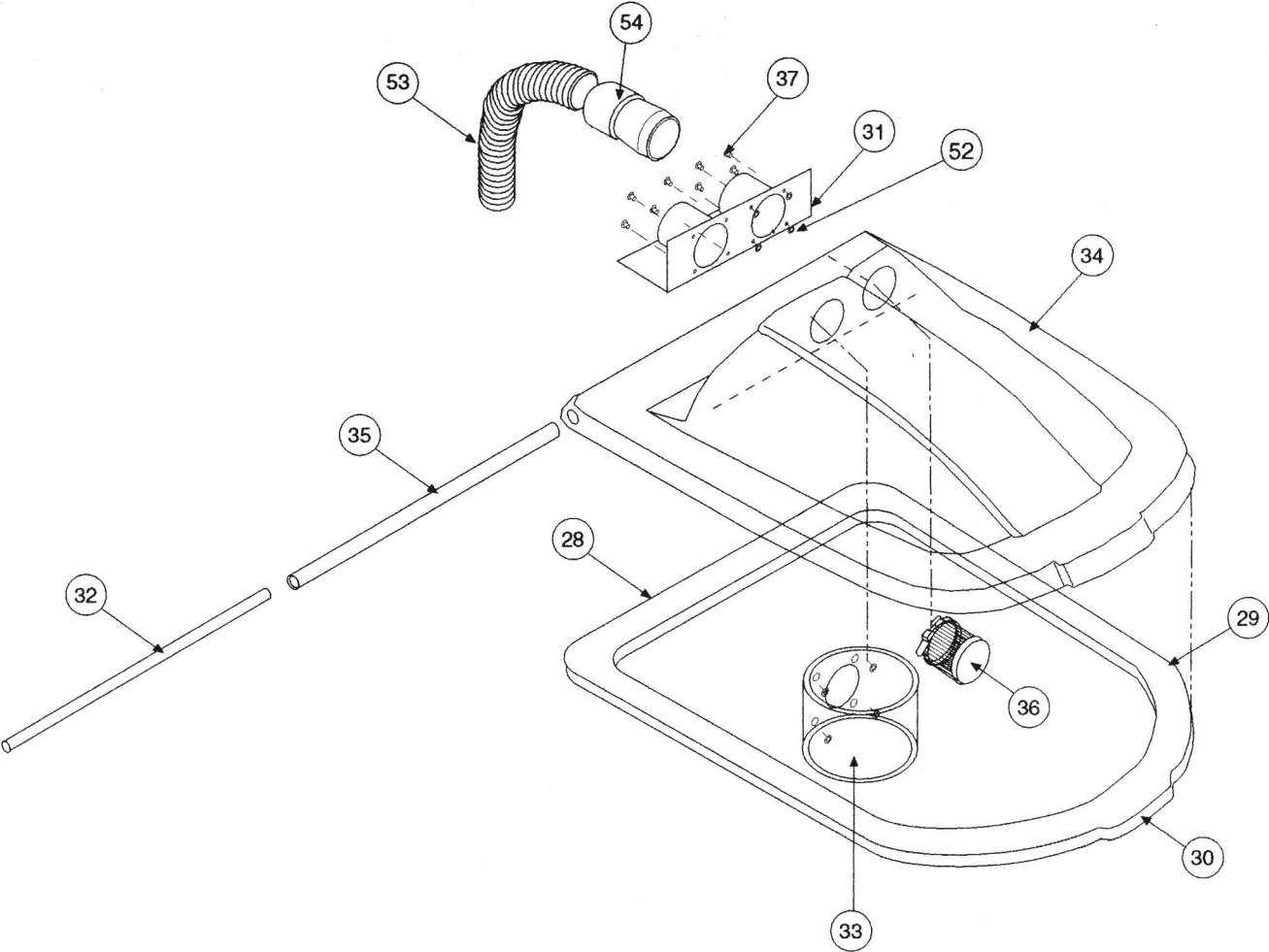
EDIC

**Figure 1 – Major Parts Assembly
STEALTH 17G, 1700S, E, HP, & DV**



010372A 100 PSI
010408A 300 PSI

Figure 2 – Lid and Bladder Assembly
STEALTH 17G, 1700S, E, HP, & DV



**Figure 3 – Tank Assembly
STEALTH 17G, 1700S, E, HP, & DV**

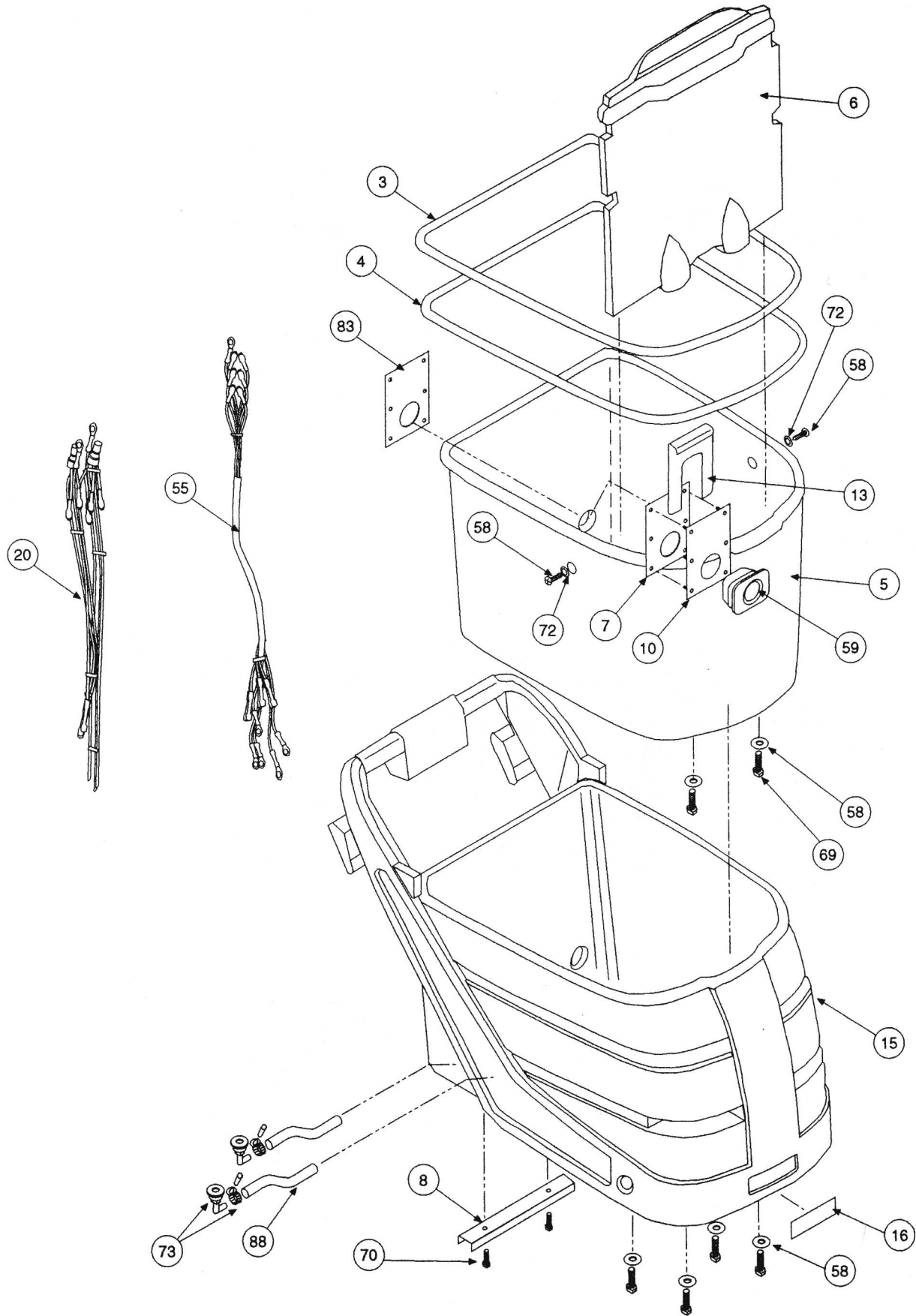
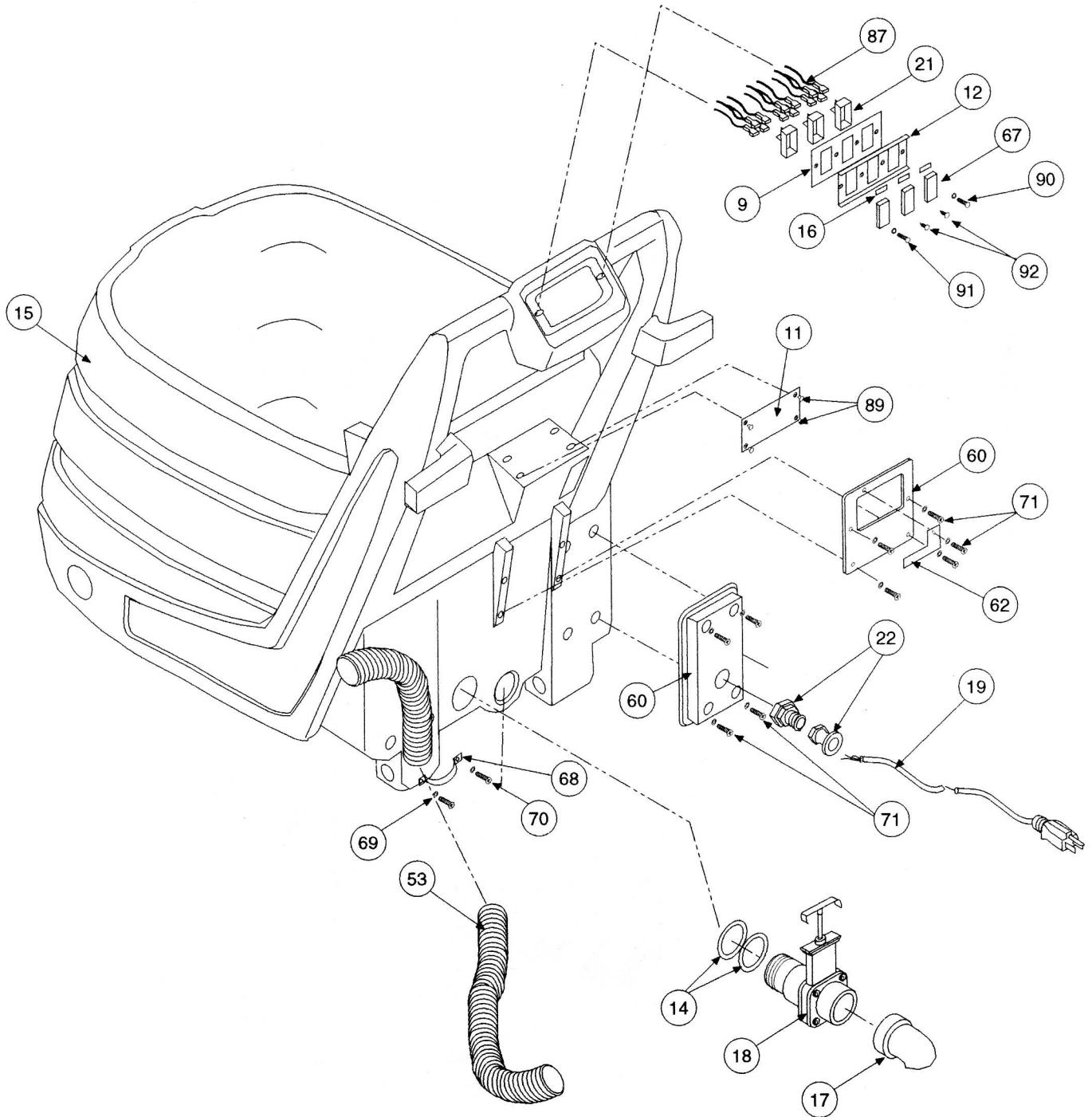
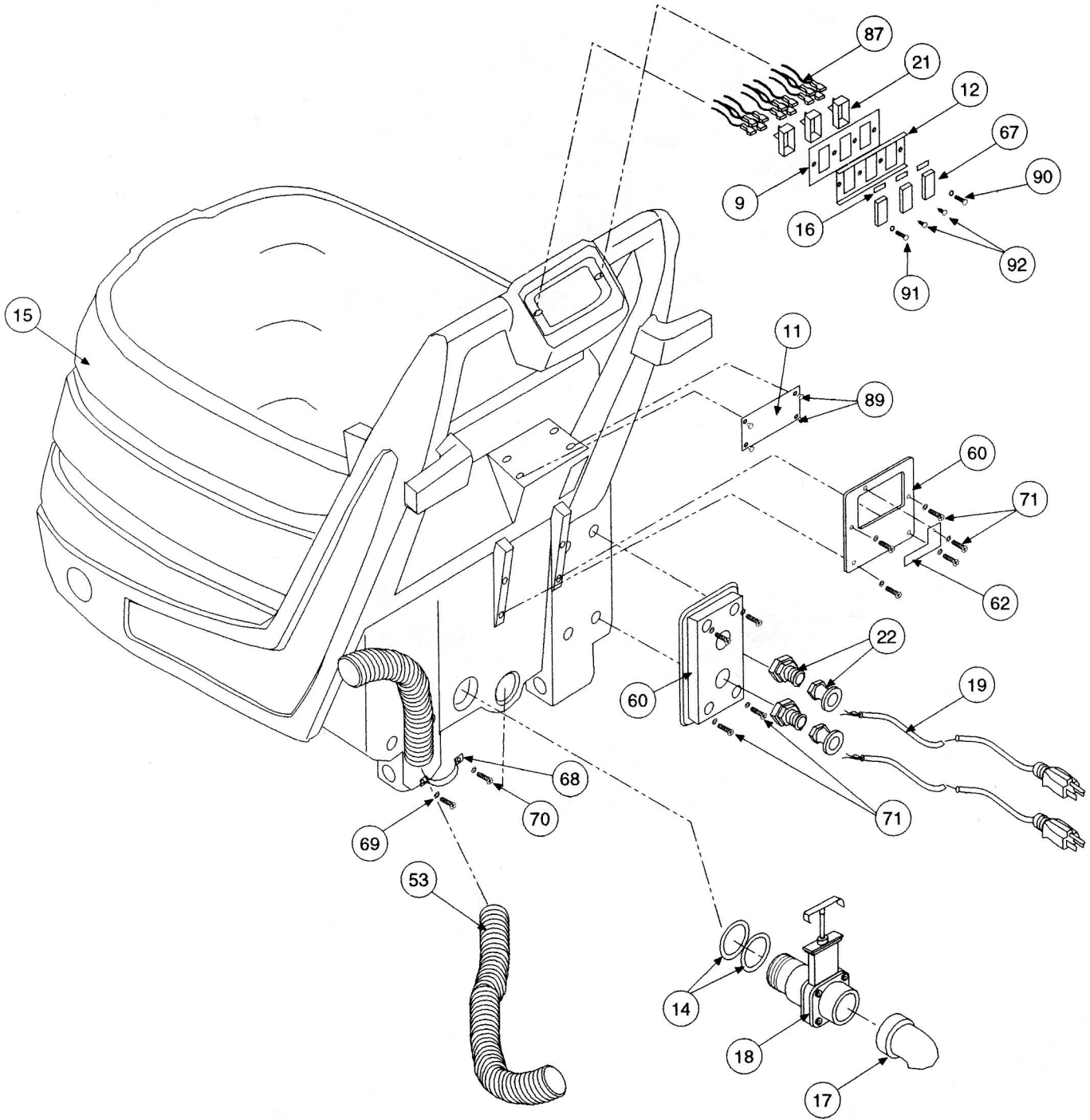


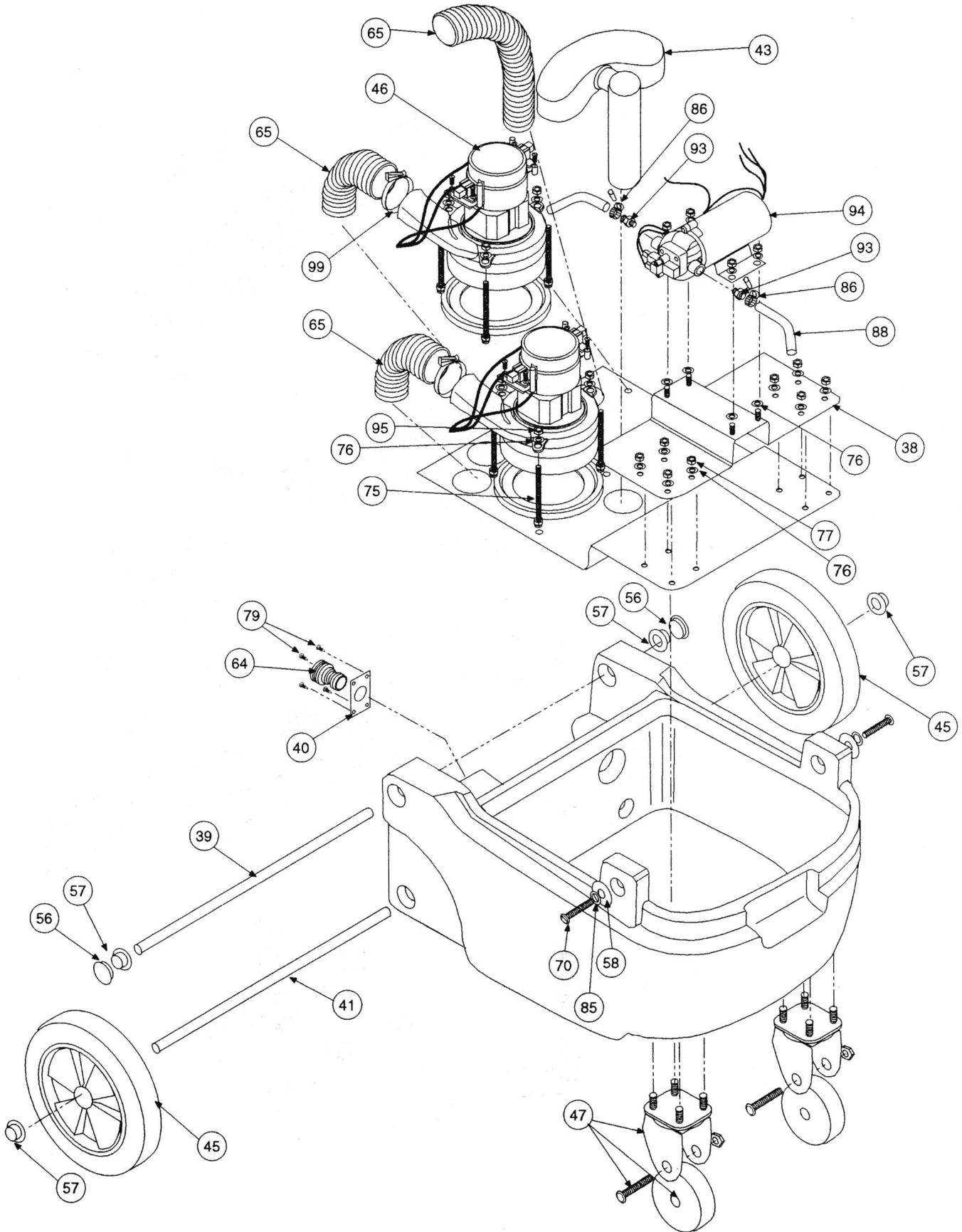
Figure 4 – Tank Assembly (Rear)
STEALTH I7G, I700S, & HP



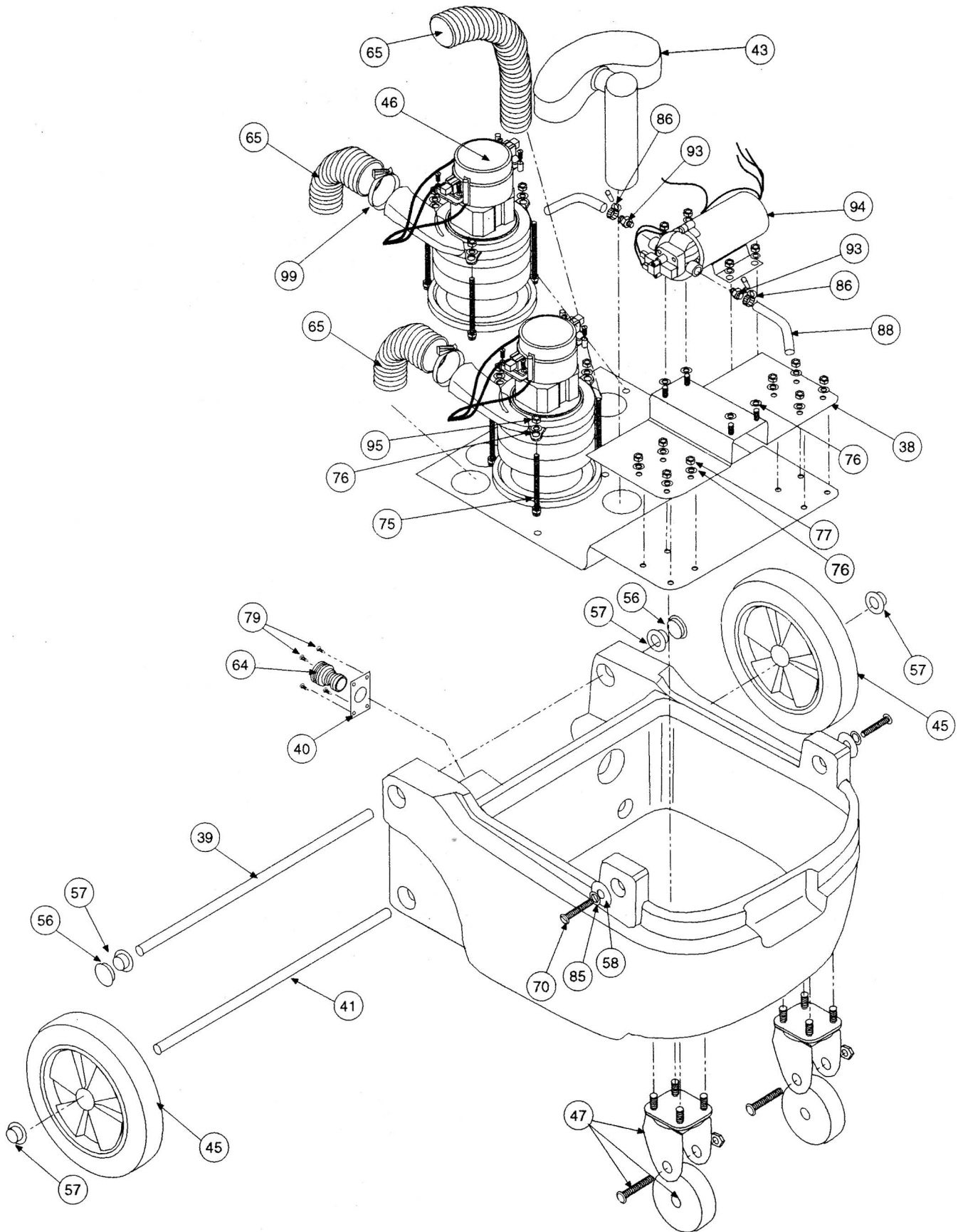
**Figure 5 – Tank Assembly (Rear)
STEALTH 1700E & DV**



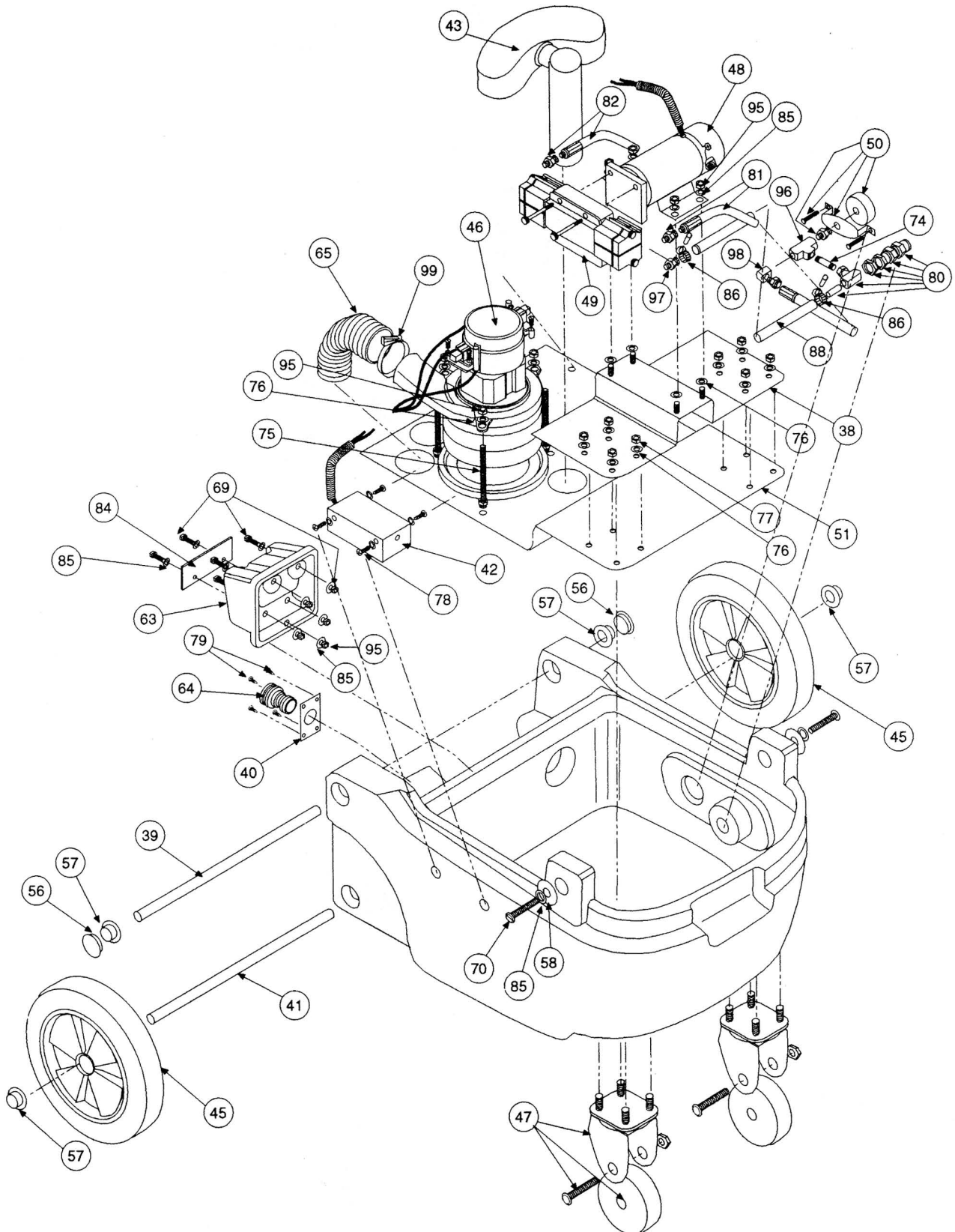
**Figure 6 – Motor Assembly
STEALTH 1700S & 17G**



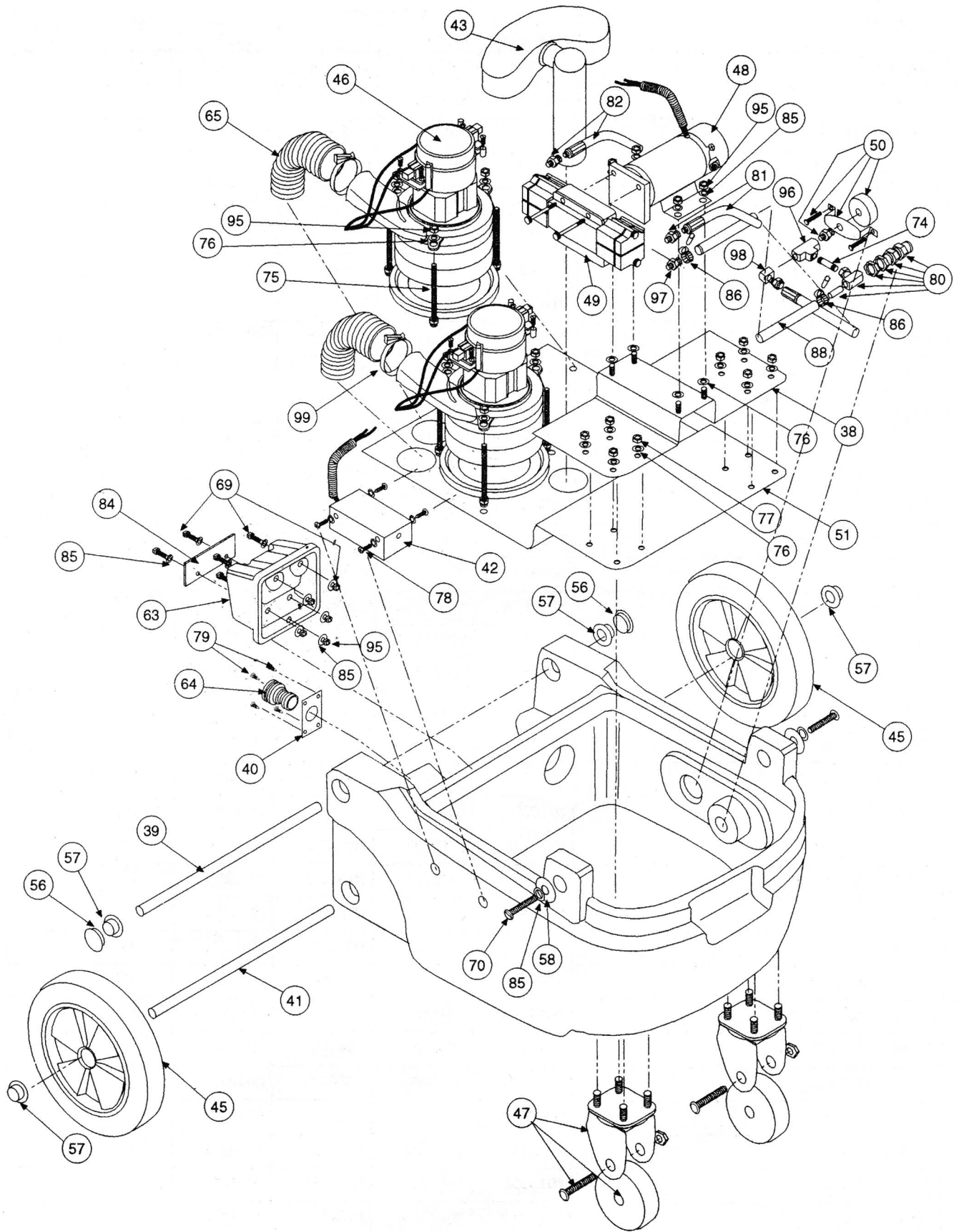
**Figure 8 – Motor Assembly
STEALTH 1700E**



**Figure 9 – Motor Assembly
STEALTH I700HP**



**Figure 10 – Motor Assembly
STEALTH I700DV**



PARTS LIST
STEALTH I7G, I700S, E, HP, DV MODELS

ITEM	DESCRIPTION	PART NUMBER				QTY.	FIGURE
		1700S/17G	1700E	1700HP	1700DV		
1	LID ASSEMBLY	010256A	010256A	010256A	010256A	1	1
2	BLADDER	F010376	F010376	F010376	F010376	1	1
3	TANK TUBE, UPPER	D10613	D10613	D10613	D10613	1	3
4	TANK TUBE, LOWER	D10614	D10614	D10614	D10614	1	3
5	SOLUTION/RECOVERY TANK	F010734	F010734	F010408	F010408	1	3
6	TANK DIVIDER	F010372	F010372	F010372	F010372	1	3
7	GASKET, DRAIN VALVE	E10649	E10649	E10649	E10649	1	3
8	TANK HOLDER BRACKET	D10656	D10656	D10656	D10656	1	3
9	GASKET, SWITCH BRACKET	E010453	E010453	E010453	E010453	1	4 & 5
10	BACK PLATE DRAIN VALVE	D10615	D10615	D10615	D10615	1	3
11	SERIAL NUMBER MOUNT PLATE	D010383	D010383	D010383	D010383	1	4 & 5
12	BRACKET, SWITCH COVER SEAL HOLD DOWN	D02414	D02414	D02414	D02414	1	4 & 5
13	FORK, BLADDER	D010282	D010282	D010282	D010282	1	4 & 5
14	GASKET, 2" OD X 1/8	E00427	E00427	E00427	E00427	2	4 & 5
15	TANK OUTER HOUSING	F010373	F010373	F010373	F010373	1	3, 4 & 5
16	EDIC LOGO	H03573	H03573	H03573	H03573	1	3
17	DRAIN VALVE ELBOW	K00710W	K00710W	K00710W	K00710W	1	4 & 5
18	DRAIN VALVE, 1-1/2 S X S	K02717	K02717	K02717	K02717	1	4 & 5
19	INPUT CORD	B00221-1	B00221-1	B00221-1	B00221-1	1(2 DV)	4 & 5
20	WIRE HARNESS POWER CORD TO SWITCHES	N/A	B010321	B010321	B010321	1	3
21	SWITCH ROCKER, 115/230V, 20A	B02211-1	B02211-1	B02211-1	B02211-1	3	4 & 5
22	STRAIN RELIEF, TRUMPETED, 12-14 GA	B02213	B02213	B02213	B02213	1(2 DV)	4 & 5
23	GASKET, BLADDER	E010294	E010294	E010294	E010294	1	2
24	OUTER RING, BLADDER	F010292	F010292	F010292	F010292	1	2
25	INNER RING, BLADDER	F010293	F010293	F010293	F010293	1	2
26	BLADDER	F010376	F010376	F010376	F010376	1	2
27	RING BLADDER	D010221	D010221	D010221	D010221	1	2
28	GASKET, LID, BACK ST	10464A	10464A	10464A	10464A	1	2
29	GASKET, LID, RIGHT SIDE	10465A	10465A	10465A	10465A	1	2
30	GASKET, LID, LEFT SIDE	10466A	10466A	10466A	10466A	1	2
31	ADAPTER PLATE, LID	D010253	D010253	D010253	D010253	1	2
32	SHAFT, LID PIVOT	D010298	D010298	D010298	D010298	1	2
33	LID DIFFUSER, 20 GA	F010252	F010252	F010252	F010252	1	2
34	LID, 20 GALLON	F010256	F010256	F010256	F010256	1	2
35	HINGE, DOME	F02473-2	F02473-2	F02473-2	F02473-2	1	2

PARTS LIST

STEALTH 17G, 1700S, E, HP, DV MODELS

ITEM	DESCRIPTION	PART NUMBER				QTY.	FIGURE
		1700S/17G	1700E	1700HP	1700DV		
36	FILTER SCREEN, CLAMP	Q2407A	Q2407A	Q2407A	Q2407A	1	2
37	3/16 RIVET, #68, ALUMINUM	C03250	C03250	C03250	C03250	4	2
38	PLATE, PUMP 300 PSI	N/A	N/A	D010297	D010297	1	8 & 9
39	SHAFT, MOTOR HOUSING PIVOT	D010286	D010286	D010286	D010286	1	6, 7, 8 & 9
40	QUICK DISCONNECT, PLATE	D010297	D010297	D010297	D010297	1	6, 7, 8 & 9
41	AXLE, 1/2", WHEEL	D010285	D010285	D010285	D010285	1	6, 7, 8 & 9
42	BOX, PUMP REGULATOR	N/A	N/A	D03425	D03425	1	8 & 9
43	MANIFOLD, DUAL 3-STAGE	F010250	F010249	F0102504	F010249	1	8 & 9
44	MOTOR HOUSING, 300 PSI UNITS	N/A	N/A	F010419	F010419	1	8 & 9
45	WHEEL, 10" 1/2" AXLE, TIRE, WHITE HUB	G010313	G010313	G010313	G010313	2	6, 7, 8 & 9
46	VACUUM	Q00537	Q02522	Q02522	Q02522	2	6, 7, 8 & 9
47	CASTER, 4" PLATE	G03518	G03518	G03518	G03518	2	6, 7, 8 & 9
48	PUMP MOTOR, 300 PSI	N/A	N/A	G03519	G03519	1	8 & 9
49	PUMP, 300 PSI	N/A	N/A	G03522	G03522	1	8 & 9
50	PRESSURE REGULATOR	N/A	N/A	G03523	G03523	1	8 & 9
51	PLATE CHASSIS, 50	D010279	D010279	D010279	D010279	1	6, 7, 8 & 9
52	3/16 RIVET, #68, ALUMINUM	C03250	C03250	C03250	C03250	4	2
53	1-1/2 WIRE SUPPORT HOSE	J00618	J00618	J00618	J00618	3	3, 4 & 5
54	CUFF, 1-1/2 X 11	J00633	J00633	J00633	J00633	1	2
55	HARNES, MAIN	B00213	B010314	B010432	B010432	3	3
56	HOLE PLUG, 1"	K00737	K00737	K00737	K00737	2	6, 7, 8 & 9
57	1/2 CAP NUT PUSH	C02305	C02305	C02305	C02305	4	6, 7, 8 & 9
58	9/32 X 1-14 FENDER	C00234	C00234	C00234	C00234	12	6, 7, 8 & 9
59	BULKHEAD FITTING	F010291	F010291	F010291	F010291	1	6, 7, 8 & 9
60	ELECTRICAL BOX COVER	F010371	F010371	F010371-1	F010371-1	1	6, 7, 8 & 9
61	UPPER PLATE, HEATER (OPTIONAL)	D010379	D010379	D010379	D010379	1	4 & 5
62	LATCH, HEATER KIT (OPTIONAL)	D010380	D010380	D010380	D010380	1	4 & 5
63	MOUNTING FLANGE (OPTIONAL)	F010299	F010299	F010299	F010299	1	8 & 9
64	QD 1/4M X 1/4FP BR	A00104	A00104	A00104	A00104	1	6, 7, 8 & 9
65	2" WIRE HOSE	J00618	J00618	J00618	J00618	1	6, 7, 8 & 9
66	LABEL, SWITCH, VACUUM	H02576	H02576	H02576	H02576	2	6, 7, 8 & 9
67	COVER, SWITCH, ROCKER	B00214	B00214	B00214	B00214	3	4 & 5
68	1-1/4" CONDUIT CLAMP	J02577	J02577	J02577	J02577	1	4 & 5
69	1/4-20 X 3/4 HEX BOLT	C00313	C00313	C00313	C00313	4	4 & 5
70	1/4-20 X 5/8 HEX BOLT	C00313-134	C00313-134	C00313-134	C00313-134	6	4 & 5

PARTS LIST

STEALTH 17G, 1700S, E, HP, DV MODELS

ITEM	DESCRIPTION	PART NUMBER				QTY.	FIGURE
		1700S/17G	1700E	1700HP	1700DV		
71	8-32 X 3/8 RH MACHINE	C00310-38	C00310-38	C00310-38	C00310-38	6	6, 7, 8 & 9
72	1/4-20 X 3/4 PH TR	C00316	C00316	C00316	C00316	4	3
73	90 EL 3/8 MP X 3/8	A00054	A00054	A00054	A00054	1	3
74	NIPPLE, 2" BRASS	N/A	N/A	A00052	A00052	1	6, 7, 8 & 9
75	1/4-20 X 5 HEX	C02313	C02313	C02313	C02313	6	6, 7, 8 & 9
76	5/16 LOCK WASHER	C00251	C00251	C00251	C00251	14	6, 7, 8 & 9
77	5/16 HEX NUT	C00262	C00262	C00262	C00262	8	6, 7, 8 & 9
78	10/32 X 5/8 ROUND H	C00312	C00312	C00312	C00312	6	6, 7, 8 & 9
79	8-32 X 3/8 RH MACHINE	C00310-38	C00310-38	C00310-38	C00310-38	8	6, 7, 8 & 9
80	PRESSURE REGULATOR	N/A	N/A	G03523	G03523	1	8 & 9
81	PULSE HOSE, PUMP TO	N/A	N/A	J00632	J00632	1	8 & 9
82	PULSE HOSE, PUMP TO	N/A	N/A	J00629	J00629	1	8 & 9
83	PLATE, DRAIN VALVE	D10604	D10604	D10604	D10604	1	3
84	BRACKET, HEATER, LOWER	D010283	D010283	D010283	D010283	1	8 & 9
85	1/4" FLAT WASHER	C00283	C00283	C00283	C00283	20	8 & 9
86	CLAMP, HOSE, 5/8"	N/A	N/A	J00652	J00652	2	6, 7, 8 & 9
87	HARNESS, SWITCHES	B010314	B010314	B010321	B010321	1	4 & 5
88	HOSE, 3/8" 300 PSI	J00613	J00613	J00613	J00613	5' Apx	3
89	RIVET, #44	C00305	C00305	C00305	C00305	4	8 & 9
90	SCREW, 8-32 X 3/4, SS	C00310-34	C00310-34	C00310-34	C00310-34	2	4 & 5
91	WASHER, STAR, #8	C02248	C02248	C02248	C02248	2	4 & 5
92	SCREW, #8 X 1/2 SHEET METAL	C00293	C00293	C00293	C00293	2	4 & 5
93	3/8 BARB X 3/8 MALE PIPE	A00062P	A00062P	A00062P	A00062P	2	6 & 7
94	PUMP, 100 PSI, 115V	G00513-100	G00513-100	N/A	N/A	2	6 & 7
95	1/4" HEX NUT	C00261	C00261	C00261	C00261	8	8 & 9
96	BARB, 3/8 X 1/4 MP	N/A	N/A	A00060	A00060	1	8 & 9
97	TEE, FEMALE	N/A	N/A	A00161	A00161	1	8 & 9
98	ELBOW, 90°, 1/4" BRASS	N/A	N/A	A00052	A00052	1	8 & 9
99	2" NYLON HOSE CLAMP	J00657	J00657	J00657	J00657	2 (1 HP)	6, 7, 8 & 9

NOTES

Effective Date 10/96



1753 Blake Avenue
Los Angeles, CA 90031-1006
(213) 660-1635 ♦ (800) 338-EDIC
FAX (213) 667-0144