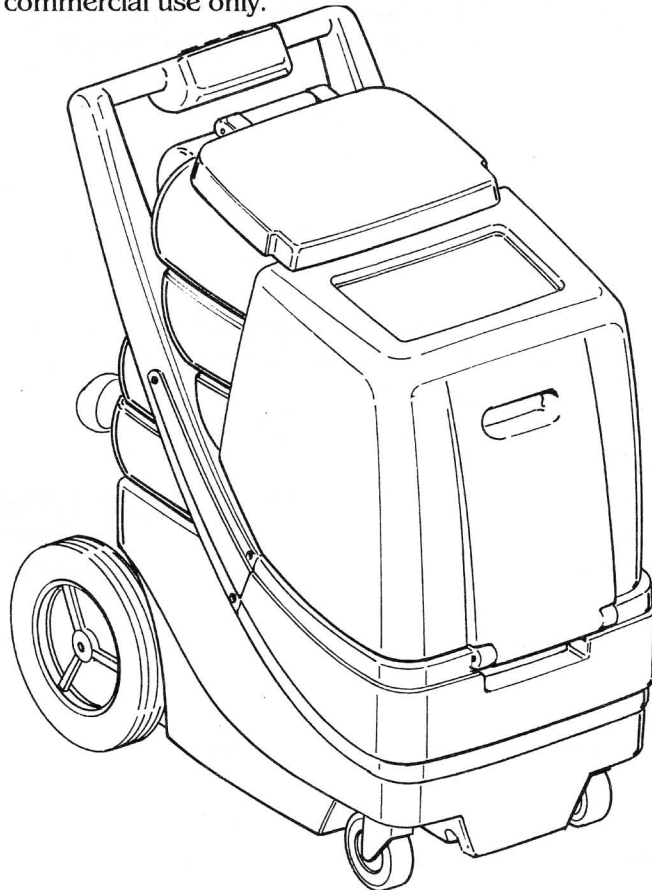


GALAXY

OWNER'S MANUAL & PARTS LIST

This equipment is intended for commercial use only.



GALAXY 2000SX

2000EX

2000HX

2000TX

GALAXY AUTOMOTIVE 3000SXH

EDIC

BEFORE OPERATING THE MACHINE

Read the manual carefully and completely before attempting to operate the unit. This manual has important information for the use and safe operation of the machine. Keep this manual handy at all times. This machine will assure years of satisfactory service if operated and maintained according to recommendations in this manual. If additional information is needed, please contact your local distributor or write to:

EDIC
1753 Blake Avenue
Los Angeles, CA 90031-1006

WARNING

- The machine was designed for use on carpet, floor and upholstery extraction applications as per instructions and recommendations written in this manual. Any deviation from its proper use or purpose and the consequential damage that may occur is the sole responsibility of the end user.
- Disconnect the power cord from outlet before servicing. Do not leave machine connected to an electrical outlet when unattended.
- Do not immerse or use this machine in standing water. Such use may cause electric shock.
- This equipment is not designed to handle or use combustible/volatile substances such as gasoline or kerosene, in, on, or near the machine. The use of such materials will cause an extreme hazardous condition.
- When using an extension cord, use only a 3 conductor grounding cord – 12 ga. wire or heavier.
- To avoid electric shock, do not expose the unit to rain – store it indoors only.
- Do not use the machine for dry vacuuming.
- Use defoamer at all times to prevent damage to the vacuum motor(s).
- Do not use water in excess of 170°F (76°C).
- To prevent seal damage and chemical build-up to the pump system, run clean water through the solution lines after each day's use.
- Use only commercially available carpet cleaning solutions and defoamer intended for use with machines of this type. Do not use dyes, bleaches, ammonia or other additives. The use of powdered cleaning solution if not diluted properly may result in damage to the pump. If powdered chemicals are used, premix in a separate container before placing in the solution tank.
- Do not expose machine to freezing temperatures.
- All repairs must be done by an authorized EDIC repair station.
- Do not use replacement parts other than those specified on the parts list.

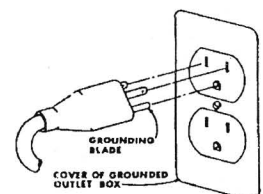
For units with Heat'N'Run heater:

- Do not run heater dry.
- Water hookups must be in place and water flowing through the heater prior to turning it on. Failure to do so may cause internal component damage and will void warranty.
- Heater must be filled with water or water based solutions at all times when in use.
- Turn off the switch and unplug the heater from outlet when not in use, allow to cool before cleaning.
- Do not use heater at more than 300 PSI.
- Do not immerse heater in water.
- To avoid explosions and/or fire, do not use solvents or any flammable liquid in heater.

FAILURE TO COMPLY WITH THE ABOVE WARNING INSTRUCTIONS WILL VOID THE WARRANTY

GROUNDING INSTRUCTIONS

The 120 V. A/C and the 220 V. A/C models have been outfitted with the appropriate grounded connectors. Make sure the machine is connected to a grounded outlet having the same configuration as the grounded plug. No adapter should be used with this machine. Any modification to the connectors will void the warranty.



PREPARING THE MACHINE (All Galaxy Equipment)

IMPORTANT: For all Galaxy equipment, use only the correct EDIC high pressure, high heat wands & upholstery tools. They are designed to deliver and maintain the correct gallons per minute (GPM), pressure (PSI) and heat when attached to the Galaxy pump system. Use of other manufacturers wands can cause over-wetting of carpet, damage to the pump system (including hose & fittings), lack of pressure and heat.

1. Pour clean solution into the solution tank.
2. Slide vacuum hose on to the black hose adapter (located at the back of machine) and the wand or upholstery tool.
3. Connect the male end of the solution hose to the wand and the female end to the machine by sliding knurled collar on the female quick disconnect fitting back. Push the male fitting in and release the knurled collar until it snaps back.
4. Make sure the drain valve is closed by pushing the T-handle all the way in.
5. Previously shampooed carpets usually have a heavy build-up of old shampoo residue which can cause the vacuum system to ingest foam and result in damage to the vacuum motor. Remember to add recommended amount of defoamer to the recovery tank every time you fill the solution tank.
6. If a Powermate (Models 1204AC & 1800AC-100) is to be used with the machine, connect the male plug on the wand to the optional receptacle on the machine.

For Galaxy's with Heat'N'Run, 2000HX & 2000TX models or Galaxy Automotive units see additional instructions below.

Additional instructions for **Galaxy's with Heat'N'Run installed:**

1. Be sure to fill solution tank with water before plugging in machine.
2. Plug heater power cord and machine power cord into separate outlets on separate circuits.
3. Turn on heater switch when you are ready to clean.
4. **CAUTION:** When the green light on the heater is on, the heater is heating. When the green light is off, the water in the heater tank is up to temperature and the thermostat switch in the heater has turned the heater off. It will automatically turn on again when the water temperature in the heater has cooled.

Additional instructions for **2000HX & 2000TX models:**

Prime the pump system by connecting the drain hose, which is the 4 foot long solution hose with a connector on one end, to the quick disconnect at the back of the machine and place the open end of the hose in the solution tank. Turn on the pump thereby recirculating the clean water through the drain hose back into the solution tank. When there is a steady stream of water running through the drain hose, the pump is primed. Disconnect the priming hose and attach the solution hose.

The pump rarely needs to be primed after the first time each day. If the solution tank is allowed to run low, it will result in the pump sucking air, then the pump will need to be primed again. Erratic pressure fluctuation indicates air in the lines and means that the pump needs priming.

Using the pressure adjustment and gauge on the side of the Galaxy, adjust the pump system to the desired "operating pressure" while the cleaning tool is on (spraying).

Additional instructions for **Galaxy Automotive** units only:

To preheat water in solution tank and operate the Galaxy Automotive using one power cord:

1. Be sure to fill solution tank with water before plugging in machine.
2. Turn the pump switch to the "Preheat" setting.
3. Turn the heater switch (located on the back of the unit near the left wheel as you are facing the back of the unit) to the "On" position.
4. Make sure heater cord with male twist-lock plug is plugged into the machine.
5. When the green light on the heater turns off and the pump stops running, the water in the solution tank is up to temperature.
6. Follow the operating instructions for carpet & upholstery listed below.

NOTE: When the pump switch is in the "Preheat" position, the vacuum(s) will not turn on. When the pump is in the "pump" position, the heater will not heat.

To operate the Galaxy Automotive using two power cords:

1. Be sure to fill solution tank with water before plugging in machine.
2. Unplug the heater cord from the back of the machine and connect it to the adapter cord supplied with the Galaxy Automotive. NOTE: The "Preheat" setting on the pump switch will not operate in this configuration.
3. Plug heater power cord and machine power cord into separate outlets on separate circuits.
4. Turn on heater switch when ready to clean.
5. Follow "Operating Instructions – Carpet Tool" or "Cleaning Upholstery" in this booklet.

CAUTION:

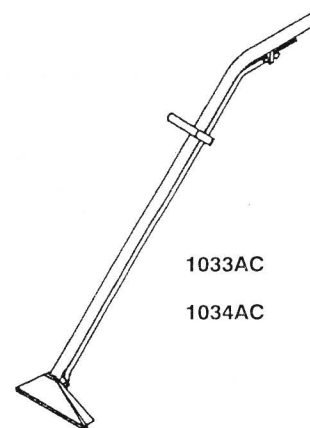
The heater cord and the machine cord must be plugged into separate outlets on separate circuits. The Heat'N'Run must be filled with water at all times.

Do not operate any Heat'N'Run with a damaged cord or plug, or after the appliance malfunctions, or has been damaged in any manner. Return to the nearest authorized service facility for examination, repair or adjustment.

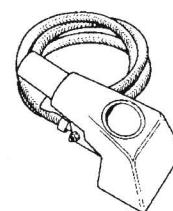
Do not use outdoors.

OPERATING INSTRUCTIONS - CARPET TOOL

1. Turn on the vacuum and solution switches. Slowly pull the tool towards you with the solution valve trigger engaged. Then make a pass forward and backward with the vacuum only (no spray) over the cleaned area to remove as much dirt and solution as possible. Do not overwet carpet! Make overlapping passes to prevent streaking.
2. If the carpet is heavily soiled, squeeze solution valve lever on the forward pass as well as backwards, allowing cleaning solution a few seconds longer to work prior to vacuuming. Another method is to raise the wand 8" above the carpet and pre-spray lightly prior to cleaning passes. On extremely soiled carpets, we recommend using a pre-spray solution.
3. When you run out of solution, turn off the pump. Attach the drain elbow on the drain valve. Place a pail under the downspout and pull up the drain valve T-handle. Dirty solution will pour out until the tank is empty. Close the drain valve. Use a clean bucket when you refill the solution tank.
4. When the job is completed, turn the switches off, disconnect the vacuum and solution hoses from the carpet tool and the machine. Drain the recovery tank through the drain valve as before.



1033AC
1034AC

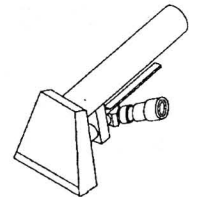


321AC

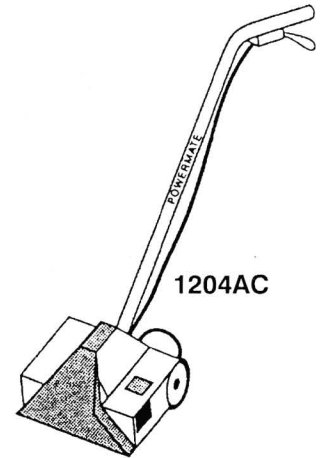
POWERMATE 1204AC (OPTIONAL)

IMPORTANT: For use with 0-100 psi pump systems.

1. Connect the cord on the power wand to the optional receptacle in back of the machine. Turn on the vacuum and pump switches.
2. The motor for the power brush is turned on and off by a lighted rocker switch located on the top of the base. Solution application is controlled by squeezing the solution valve lever.
3. To move the power wand forward, push the wand handle downward, raise the front end and push the wand into position using the rear wheels. To pre-spray, squeeze solution valve lever while moving wand forward and backward over the area to be pre-sprayed.
4. To clean, lift the wand handle to insure the nose of the wand is against the carpet, then while squeezing the solution valve lever pull the wand towards you. Here's how it works- the solution is jet sprayed deep into the carpet to loosen dirt. The brush scrubs the fiber and breaks up surface and deep dirt. It fluffs the nap without any distortion to the pile. With the weight of the base on the suction head, the vacuum picks up the dirt and solution. Make overlapping passes to prevent streaking.
5. Go over the path you just cleaned without squeezing the solution valve lever to remove as much dirt and solution as possible.



1021AC



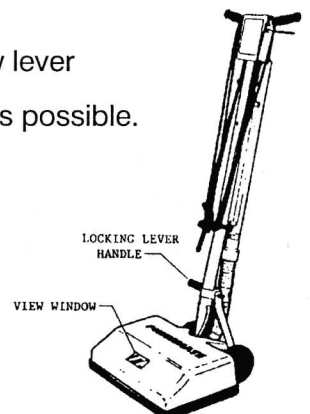
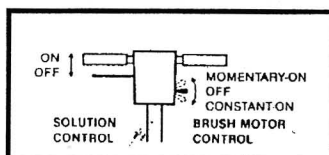
1204AC

POWERMATE 1800AC-100 and 1800 AC-200 (OPTIONAL)

1. Connect the cord on the power wand to the optional receptacle in back of the machine. Turn on the vacuum and pump switches.
2. The motor of the rotating power brush is operated with your right hand controlling a long toggle switch. Pull it up for momentary use, push it down for continuous brush action (center off). Solution application is controlled by depressing the flow switch lever with your right hand fingertips.
3. To adjust the handle into operating position, pull up the grip on the locking lever located near the base of the handle. Move handle to waist level height and push down grip handle on lever to lock into place.
4. To move the power wand forward, push handle downward to raise the front end and move the wand into position. To pre-spray, depress the flow switch lever (solution control) while moving wand forward or backward over the area to be cleaned with the front end raised.
5. To clean, depress the solution flow lever while pulling the power wand towards you. Here's how it works - the solution is jet sprayed deep into the carpet to loosen dirt. The rotating brush scrubs the fiber and breaks up surface and deep rooted dirt. It fluffs the nap without any distortion to the pile. With the weight of the base on the suction head, the vacuum picks up the dirt and solution. Make overlapping passes to prevent streaking.
6. Make a pass over the path you just cleaned without depressing the solution flow lever (vacuum only) and with the brush still on, to remove as much dirt and solution as possible.

IMPORTANT: 1800AC-100 if for use with 0-100 psi pump systems.

1800AC-200 is for use with 100-300 psi pump systems.



CLEANING UPHOLSTERY

Cleaning upholstery with success requires a good knowledge of the type of fabric to be worked on. Look for the cleaning instruction label sewn on the underside of the furniture for the recommended method of cleaning the fabric. If it calls for dry cleaning, do not attempt to clean with the wet extraction method. Otherwise, damage to the fabric could occur. Extraction works perfectly on most synthetic fabrics including synthetic velvets.

Before proceeding, test the fabric for colourfastness. Apply a small amount of ready-to-use cleaning solution on the fabric in an inconspicuous spot. Wait for 2 to 3 minutes and rub the area with a white terry cloth towel. If no color comes off the towel, the fabric should be safe to clean. If a little color comes off, there is some risk of colors running when you clean. It may be possible to stabilise colors by cleaning with an acidic rinse.

1. Prepare the machine in the same manner as for carpet (see preparing the machine) cleaning except attach the upholstery tool to the vacuum hose. Connect the solution hose. Pour hot water into the solution tank. Add recommended amount of cleaning concentrate into the solution tank. Turn on the vacuum and pump switches.
2. Adjust the pump "operating pressure" to 50 psi or below for upholstery cleaning (See page 3 PREPARING THE MACHINE items 8 and 9).
3. Clean with the upholstery tool using as little solution as possible. Make overlapping passes to prevent streaking. Go over the area you just cleaned without depressing the lever (vacuum only) and gauge the amount of moisture extracted through the view window for dryness. On heavily soiled areas like arm rests, pre-treat with a recommended pre-spray and /or hold the upholstery tool a few inches above the fabric and press lever to spray on the solution before making a pass.

DAILY MAINTENANCE

1. Always keep the machine clean inside and out.
2. Pour 2 gallons of clean hot water in the solution tank. Turn the pump on and flush the entire system through the wand nozzles for about a minute to prevent alkaline build-up.
3. Remove dirt and lint build-up inside the filter screen in the recovery tank. Lint should be cleaned off so that air flow is not impeded.
4. Check the solution tank strainer in the solution tank. If lint has accumulated in the screen, remove and rinse it in clear running water.

PERIODIC MAINTENANCE

All EDIC machines are engineered and built to require a minimum of maintenance. But like any machine, it does require some care to keep it in optimum working condition. Careful attention to these maintenance instructions will give you maximum operating performance and will increase the life expectancy of your machine.

- Solution Lines and Fittings. Flush the machine at least once a month with a solution of 1 part water with 3 parts white vinegar in order to neutralize the alkaline residue left by the cleaning solution.
- Quick connect coupler. Spray with WD-40 or equivalent lubricant to prevent coupler from sticking.
- Drain Valve. Apply light oil on gate seals. If machine has to be stored, leave the gate valve open.
- Solution pump. The same above procedure used on solution line and fittings applies to the pump.

TROUBLESHOOTING

ELECTRICAL SYSTEM

PROBLEM	POSSIBLE CAUSE
No electrical power.	1. Defective power cord. 2. House or building circuit breaker tripped.
Switch is turned on. Power is intermittent to all motor(s)	1. Faulty electrical cable. 2. Defective switches. 3. Loose terminal or discolored terminal connections.

VACUUM SYSTEM

No Vacuum	1. Drain Valve open. 2. Vacuum lid is not sealed against tank. 3. Loose vacuum hose, vacuum connection.
Low Vacuum	1. Accumulated dirt on lid screen. 2. Worn out vacuum lid gasket. 3. Lint & dirt build-up on wand head. 4. Defective vacuum hose. 5. Loose connection in the vacuum motor(s).

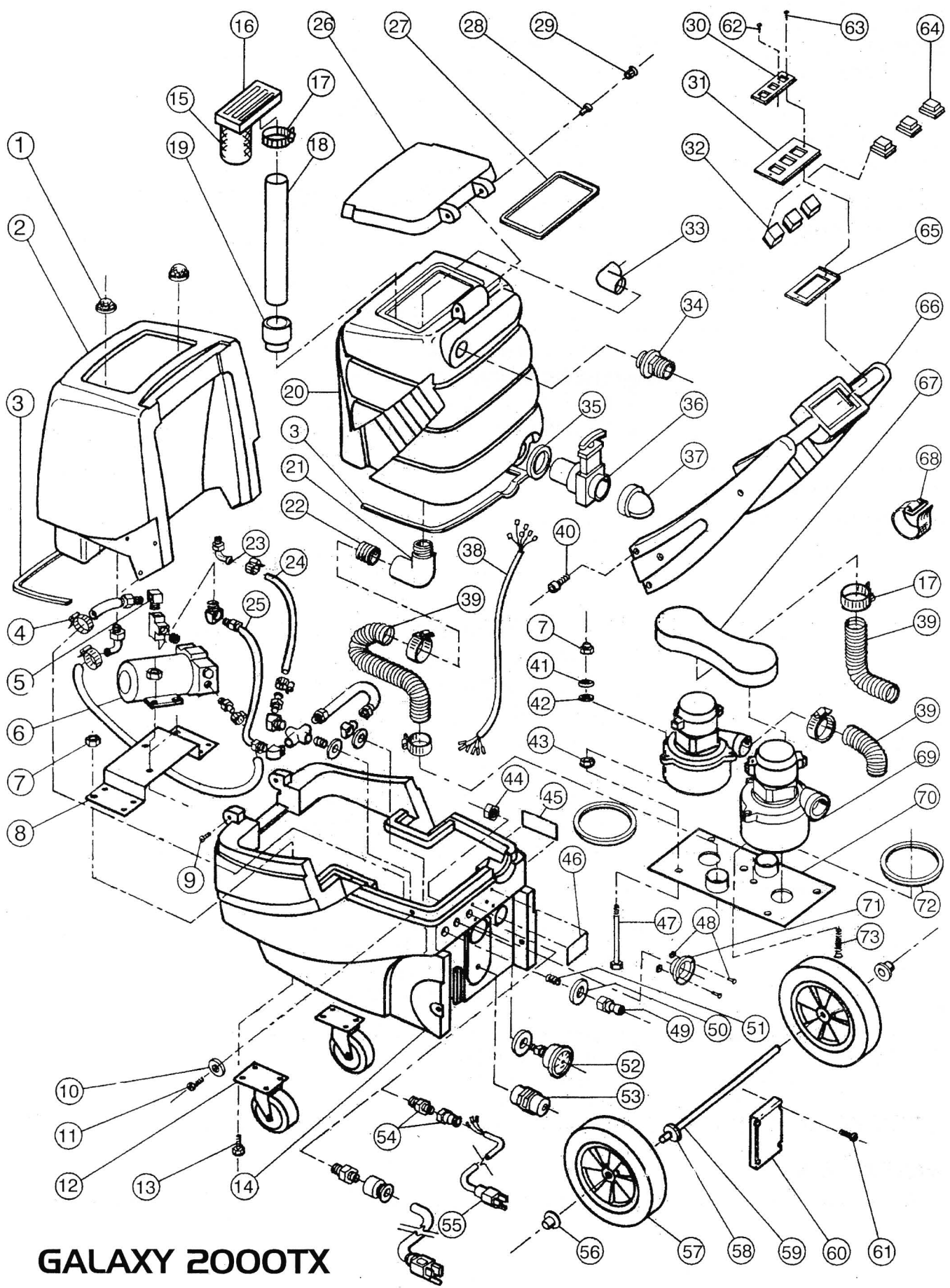
SOLUTION SYSTEM

Pump motor on, no spray thru spray tips	1. Clogged spray tips. 2. Clogged solution intake filter screen. 3. Plugged female quick disconnect coupler. 4. Punctured pump diaphragm. (100 psi only) 5. Defective pump check valve. (100 psi only) 6. Crack in pump housing. 7. Debris in check valve. (100 psi only) 8. Lost Prime.
Uneven or weak spray from tips.	1. Clogged or dirty spray tips. 2. Accumulated dirt on solution intake filter screen. 3. Accumulation of debris inside pump and plumbing. 4. Worn pump bearing (excessive noise). 5. Punctured pump diaphragm. 6. Defective rectifier or motor. 7. Worn nozzles. 8. Pressure Regulator set incorrectly. (Models 2000HX and 2000TX only)
Vacuum motor(s) working, pump motor Fails to turn on	1. Loose wiring connection. 2. Defective pressure switch in pump (100 psi model). 3. Defective pump motor or rectifier.
Erratic Pressure (Models 2000HX & 2000TX only)	1. Pump check valves defective or dirty 2. Lost prime.

OPTIONAL ACCESSORIES

HEAT-N-RUN

Inline heater delivering up to 200°F heat enhancing productivity and cleaning. Model 610HR



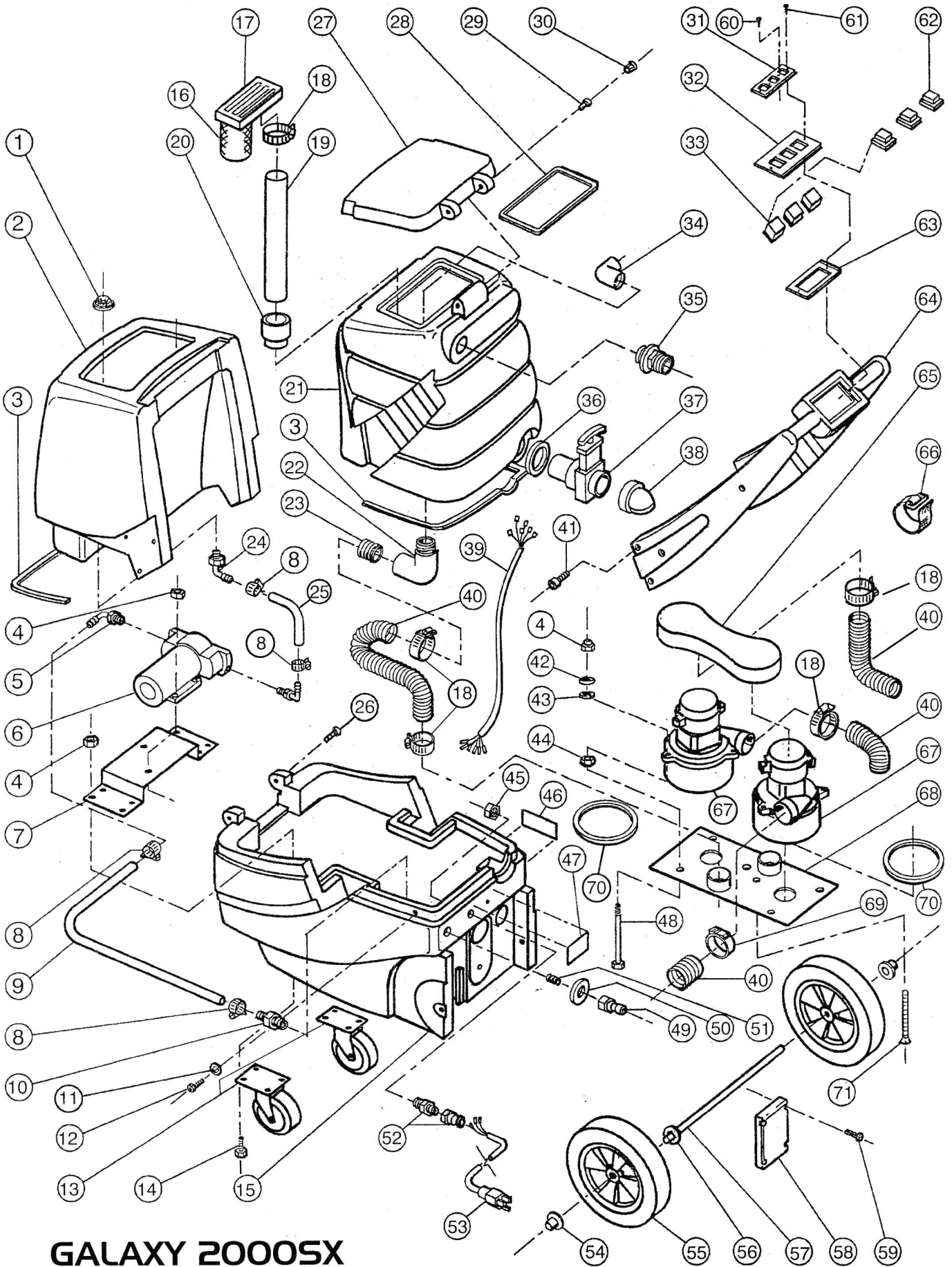
**GALAXY 2000TX
PARTS DIAGRAM**

GALAXY 2000TX PARTS LIST

ITEM #	PART #	DESCRIPTION	QTY.
1	D00373	INLET FILTER, 1/4NPT	2 EA
2	F11186	SOLUTION TANK	1 EA
3	E11129	GASKET, BASE	5 FT
4	J11508	SCREW CLAMP, #6	4 EA
5	A00052	ELBOW, 90, 1/4MP X 1/4FP, BRASS	4 EA
6	G11164	PUMP, 200PSI	1 EA
7	C00273	LOCKNUT, 1/4-20	18 EA
8	D11130	PUMP PLATE	1 EA
9	C11143	SCREW, 1/4-20 X 1 1/2"	2 EA
10	C00254	LOCKWASER, 1/4", SPLIT	8 EA
11	C02294	SCREW, 1/4-20 X 1 1/4"	2 EA
12	G03518	CASTER, 4"	2 EA
13	C00313	HEX BOLT, 1/4-20 X 3/4"	4 EA
14	F11139-B	BASE	1 EA
15	10989A	FLOAT ASSEMBLY	1 EA
16	D00385-7	VAC DUCT, FLOAT	1 EA
17	J00639	SCREW CLAMP, 1 1/2"	5 EA
18	K00672	PVC PIPE, 1 1/2"	1.60 FT
19	K00741	PIPE ADAPTER, 1 1/2"	1 EA
20	F11187	RECOVERY TANK	1 EA
21	K11185	ELBOW, 90, 1 1/2", MT-MS, PVC	1 EA
22	K00672-1	PVC PIPE, 1 1/2", CUT TO 2"	1 EA
53	A00051	ELBOW, 1/4MP X 3/8B, NYLON	2 EA
24	J11154	SOLUTION HOSE, 3/8", WIRE REINFORCED	1.33 FT
25	J00632	PULSE HOSE, 42", 1/4M X 1/4M	1 EA
26	F11135	LID, RECOVERY TANK	1 EA
27	E11124	GASKET, RECOVERY LID	1 EA
28	C11167	SCREW, 1/4-20 X 3/4"	2 EA
29	K02714	PLUG, .500"	2 EA
30	D11168	COVER, SWITCHPLATE	1 EA
31	D010284	SWITCHPLATE	1 EA
32	B02211-1	SWITCH, ROCKER, GREEN	3 EA
33	K00666	ELBOW, 90, 1 1/2", FT-FS, PVC	1 EA
34	K00665-1	HOSE ADAPTER, 1 1/2", BLACK	1 EA
35	E11128	GASKET, DRAIN VALVE	1 EA
36	K00711	DRAIN VALVE, BLACK	1 EA
37	K00710	ELBOW, DRAIN VALVE	1 EA
38	B010314	WIRE HARNESS	1 EA
39	J00618	VACUUM HOSE, 2", WIRE REINFORCED	4.5 FT
40	C11141	SCREW, ALLEN HEAD, 1/4-20 X 1 1/4"	8 EA

GALAXY 2000TX PARTS LIST

ITEM #	PART #	DESCRIPTION	QTY.
41	C00233	WASHER, 1/4", FLAT	16 EA
42	E00449	GROMMET	6 EA
43	C00261	HEX NUT, 1/4-20	12 EA
44	B00201	NUT, STRAIN RELIEF	2 EA
45	H02564-2	LABEL, CAUTION	1 EA
46	H00565-5	LABEL, SERIAL NUMBER	1 EA
47	C00319	HEX BOLT, 1/4-20 X 3 1/2"	5 EA
48	C00300	RIVET, #46	2 EA
49	A00104	QUICK DISCONNECT, 1/4" MALE	1 EA
50	C11244	WASHER, 1/2"ID X 1 1/2" OD	2 EA
51	A00111	NIPPLE, 1/4"	4 EA
52	G00516-3	GAUGE, 0-600PSI	1 EA
53	G03523-1	REGULATOR VALVE	1 EA
54	B02213	STRAIN RELIEF	2 EA
55	B00221-1	POWER CORD, 12/3, 25'	2 EA
56	C02305	CAP NUT, 1/2"	2 EA
57	G010313	WHEEL, 10"	2 EA
58	C00240	WASHER, SHOULDER, NYLON	2 EA
59	D11170	AXLE	1 EA
60	F11173-B	HEATER TUNNEL COVER	1 EA
61	C11165	SCREW, #8 X 1"	4 EA
62	C00293	SCREW, #8 X 1/2", BLACK	2 EA
63	C00295-1	SCREW, #10 X 3/4", BLACK	2 EA
64	B00214-2	COVER, SWITCH	3 EA
65	E010453	GASKET, SWITCHPLATE	1 EA
66	F11136-B	HANDLE	1 EA
67	F11178-BLK	INTERCOOLER	1 EA
68	C11177	VELCRO STRAP	1 EA
69	G02522	VACUUM, 135" 110V	2 EA
70	D11134	VAC PLATE	1 EA
71	D11239	EXHAUST PIPE	1 EA
72	E11169	GASKET, VAC MOTOR	2 EA
73	C11142	SCREW, 1/4-20 X 3 1/2", FLATHEAD	1 EA
NOT SHOWN	1040AC-HP	HOSE ASSY., 15', HIGH PRESSURE	1 EA
NOT SHOWN	H11171	LABEL, GALAXY	1 EA
NOT SHOWN	L11149	BOX	1 EA
NOT SHOWN	L11294	CARDBOARD INSERT	2 EA
NOT SHOWN	S11179	NON-SKID TAPE	0.50 FT
NOT SHOWN	ZF1202	OWNERS MANUAL	1 EA



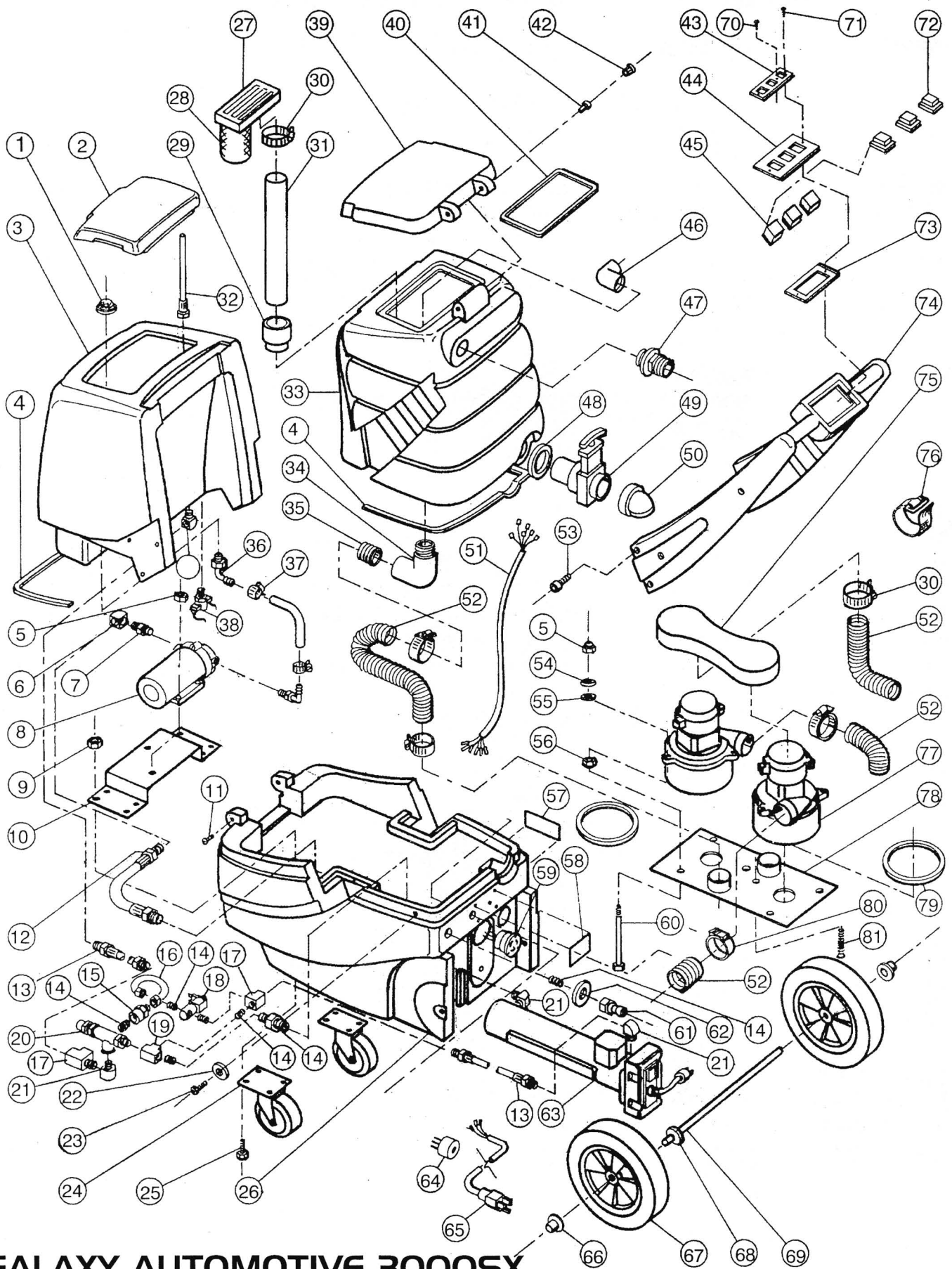
**GALAXY 2000SX
PARTS DIAGRAM**

GALAXY 2000SX PARTS LIST

ITEM #	PART #	DESCRIPTION	QTY.
1	D00373	INLET FILTER, 1/4NPT	1 EA
2	F11137	SOLUTION TANK	1 EA
3	E11129	GASKET, BASE	5 FT
4	C00273	LOCKNUT, 1/4-20, NYLON	16 EA
5	A00054	ELBOW, 90, 3/8MP X 3/8B, NYLON	2 EA
6	G00513-100	PUMP, 100PSI	1 EA
7	D11194	PUMP PLATE	1 EA
8	J11508	SCREW CLAMP, #6	4 EA
9	J00613G	SOLUTION HOSE, 3/8", GREY	2.75 FT
10	A00060	FITTING, 3/8B X 1/4MP, BRASS	1 EA
11	C00254	LOCKWASHER, 1/4", SPLIT	8 EA
12	C02294	SCREW, 1/4-20 X 1 1/4"	2 EA
13	G03518	CASTER, 4"	2 EA
14	C00314-1	HEX BOLT, 1/4-20 X 1"	8 EA
15	F11139-B	BASE	1 EA
16	10989A	FLOAT ASSEMBLY	1 EA
17	D00385-7	VAC DUCT, FLOAT	1 EA
18	J00639	SCREW CLAMP, 2"	5 EA
19	K00672	PVC PIPE, 1 1/2"	1.60 FT
20	K00741	PIPE ADAPTER, 1 1/2"	1 EA
21	F11138	RECOVERY TANK	1 EA
22	K11185	ELBOW, 90, 1 1/2", MT-MS, PVC	1 EA
23	K00672-1	PVC PIPE, 1 1/2", CUT TO 2"	1 EA
24	A00051	ELBOW, 90, 1/4MP X 3/8B, NYLON	1 EA
25	J11154	SOLUTION HOSE, 3/8", WIRE REINFORCED	1.33 FT
26	C11143	SCREW, 1/4-20 X 1 1/2"	2 EA
27	F11135	LID, RECOVERY TANK	1 EA
28	E11124	GASKET, RECOVERY LID	1 EA
29	C11167	SCREW, 1/4-20 X 3/4"	2 EA
30	K02714	PLUG, .500"	2 EA
31	D11168	COVER, SWITCHPLATE	1 EA
32	D010284	SWITCHPLATE	1 EA
33	B02211-1	SWITCH, ROCKER, GREEN	3 EA
34	K00666	ELBOW, 90, 1 1/2", FT-FS, PVC	1 EA
35	K00665-1	HOSE ADAPTER, 1 1/2", BLACK	1 EA
36	E11128	GASKET, DRAIN VALVE	1 EA
37	K00711	DRAIN VALVE, BLACK	1 EA
38	K00710	ELBOW, DRAIN VALVE	1 EA
39	B010314	WIRE HARNESS	1 EA
40	J00618	VACUUM HOSE, 2", WIRE REINFORCED	4.5 FT
41	C11141	SCREW, ALLEN HEAD, 1/4-20 X 1 1/4"	8 EA

GALAXY 2000SX PARTS LIST

ITEM #	PART #	DESCRIPTION	QTY.
42	C00233	WASHER, 1/4", FLAT	16 EA
43	E00449	GROMMET	6 EA
44	C00261	HEX NUT, 1/4-20	12 EA
45	B00201	NUT, STRAIN RELIEF	1 EA
46	H02564-2	LABEL, CAUTION	1 EA
47	H00565-5	LABEL, SERIAL NUMBER	1 EA
48	C00319	HEX BOLT, 1/4-20 X 3 1/2"	5 EA
49	A00104	QUICK DISCONNECT, 1/4" MALE	1 EA
50	C11244	WASHER, 1/2"ID X 1 1/2" OD	2 EA
51	A00111	NIPPLE, 1/4"	1 EA
52	B02213	STRAIN RELIEF	1 EA
53	B00221-1	POWER CORD, 12/3, 25'	1 EA
54	C02305	CAP NUT, 1/2"	2 EA
55	G010313	WHEEL, 10"	2 EA
56	C00240	WASHER, SHOULDER, NYLON	2 EA
57	D11170	AXLE	1 EA
58	F11173-B	HEATER TUNNEL COVER	1 EA
59	C11165	SCREW, #8 X 1"	4 EA
60	C00293	SCREW, #8 X 1/2", BLACK	2 EA
61	C00295-1	SCREW, #10 X 3/4", BLACK	2 EA
62	B00214-2	COVER, SWITCH	3 EA
63	E010453	GASKET, SWITCHPLATE	1 EA
64	F11136-B	HANDLE	1 EA
65	F11178-BLK	INTERCOOLER	1 EA
66	C11177	VELCRO STRAP	1 EA
67	G00537	VACUUM MOTOR, 82", 115V	2 EA
68	D11134	VAC PLATE	1 EA
69	J00657	HOSE CLAMP, 2"	1 EA
70	E11169	GASKET, VAC MOTOR	2 EA
71	C11142	SCREW, 1/4-20 X 3 1/2", FLATHEAD	1 EA
NOT SHOWN	B00187	CABLE CLAMP	1 EA
NOT SHOWN	C00284	GROUNDING SCREW, 10-32 X 3/8"	2 EA
NOT SHOWN	C02315	LOCKWASHER, #10, INTERNAL STAR	2 EA
NOT SHOWN	H02548-2	LABEL, "IMPORTANT THIS EQUIPMENT..."	1 EA
NOT SHOWN	H03545	COVER, SERIAL TAG	1 EA
NOT SHOWN	H11171	LABEL, GALAXY	1 EA
NOT SHOWN	L11149	BOX	1 EA
NOT SHOWN	L11294	CARDBOARD INSERT	2 EA
NOT SHOWN	S11179	NON-SKID TAPE	0.50 FT
NOT SHOWN	ZF1202	OWNERS MANUAL	1 EA



**GALAXY AUTOMOTIVE 3000SX
PARTS DIAGRAM**

GALAXY AUTOMOTIVE

3000SX PARTS LIST

ITEM #	PART #	DESCRIPTION	QTY.
1	D00373	INLET FILTER, 1/4NPT	2 EA
2	F11275	LID, SOLUTION TANK	1 EA
3	F11264	SOLUTION TANK	1 EA
4	E11129	GASKET, BASE	5 FT
5	C00261	HEX NUT, 1/4-20	12 EA
6	A00154	ELBOW, 90, 1/4FP X 1/4FP, BRASS	1 EA
7	A00168	BUSHING, 3/8MP X 1/4FP	1 EA
8	G00513-100	PUMP, 100PSI	1 EA
9	C00273	LOCKNUT, 1/4-20	16 EA
10	D11194	PUMP PLATE	1 EA
11	C11143	SCREW, 1/4-20 X 1 1/2"	2 EA
12	J00660	SWAGE FITTING, 1/4FP X 1/4HOSE	4 EA
13	J00659	SWAGE FITTING, 1/4MP X 1/4HOSE	2 EA
14	A00111	NIPPLE, 1/4"	8 EA
15	A00121	FITTING, 1/4MP X 1/4FP, BRASS	1 EA
16	A00085-21	TUBE, PRESSURE REGULATOR	1 EA
17	A11589	TEE, 1/4MP X 1/4FP X 1/4FP	2 EA
18	G02536	SOLENOID	1 EA
19	A00161	TEE, 1/4FP X 1/4FP X 1/4FP	4 EA
20	G11314	PRESSURE REGULATOR	1 EA
21	A00052	ELBOW, 90, 1/4FP X 1/4MP, BRASS	6 EA
22	C00254	LOCKWASHER, 1/4:, SPLIT	8 EA
23	C02294	SCREW, 1/4-20 X 1 1/4"	2 EA
24	G03518	CASTER, 4"	2 EA
25	C00314-1	HEX BOLT, 1/4-20 X 1"	8 EA
26	F11139-B	BASE	1 EA
27	D00385-7	VAC DUCT, FLOAT	1 EA
28	10989A	FLOAT ASSEMBLY	1 EA
29	K00741	PIPE ADAPTER, 1 1/2"	1 EA
30	J00639	SCREW CLAMP, 2"	5 EA
31	K00672	PVC PIPE, 1 1/2"	1.60 FT
32	J00580	HOSE, 1/4", HIGH PRESSURE	4 FT
33	F11138	RECOVERY TANK	1 EA
34	K11185	ELBOW, 90, 1 1/2", MT-MS, PVC	1EA
35	K00672-1	PVC PIPE, 1 1/2", CUT TO 2" LENGTH	1 EA
36	A00051	ELBOW, 90, 1/4MP X 3/8B, NYLON	2 EA
37	J11508	SCREW CLAMP, #6	6 EA
38	G11272	THERMOSTAT, 150DEG.	1 EA
39	F11135	LID, RECOVERY TANK	1 EA
40	E11124	GASKET, RECOVERY LID	1 EA
41	C11167	SCREW, 1/4-20 X 3/4"	2 EA
42	K02714	PLUG, .500"	2 EA
43	D11168	COVER, SWITCHPLATE	1 EA

GALAXY AUTOMOTIVE

3000SX PARTS LIST

ITEM #	PART #	DESCRIPTION	QTY.
44	D010284	SWITCHPLATE	1 EA
45	B02211-1	SWITCH, ROCKER, GREEN	3 EA
46	K00666	ELBOW, 90, 1 1/2", FT-FS, PVC	1 EA
47	K00665-1	HOSE ADAPTER, 1 1/2", BLACK	1 EA
48	E11128	GASKET, DRAIN VALVE	1 EA
49	K00711	DRAIN VALVE, BLACK	1 EA
50	K00710	ELBOW, DRAIN VALVE	1 EA
51	B010314	WIRE HARNESS	1 EA
52	J00618	VACUUM HOSE, 2", WIRE REINFORCED	4.5 FT
53	C11141	SCREW, ALLEN HEAD, 1/4-20 X 1 1/4"	8 EA
54	C00233	WASHER, 1/4", FLAT	16 EA
55	E00449	GROMMET	6 EA
56	C00261	HEX NUT, 1/4-20	12 EA
57	H02564-2	LABEL, CAUTION	1 EA
58	H00565-5	LABEL, SERIAL NUMBER	1 EA
59	B11304	TWIST LOCK RECEPTACLE	1 EA
60	C00319	HEX BOLT, 1/4-20 X 3 1/2"	5 EA
61	A00104	QUICK DISCONNECT, 1/4" MALE	1 EA
62	C11244	WASHER, 1/2"ID X 1 1/2" OD	2 EA
63	630HR	HEATER, AUTOMOTIVE	1 EA
64	B11452	TWIST LOCK CONNECTOR	1 EA
65	B00221-1	POWER CORD, 12/3, 25'	1 EA
66	C02305	CAP NUT, 1/2"	2 EA
67	G010313	WHEEL, 10"	2 EA
68	C00240	WASHER, SHOULDER, NYLON	2 EA
69	D11170	AXLE	1 EA
70	C00293	SCREW, #8 X 1/2", BLACK	2 EA
71	C00295-1	SCREW, #10 X 3/4", BLACK	2 EA
72	B00214-2	COVER, SWITCH	3 EA
73	E010453	GASKET, SWITCHPLATE	1 EA
74	F11136-B	HANDLE	1 EA
75	F11178-BLK	INTERCOOLER	1 EA
76	C11177	VELCRO STRAP	1 EA
77	G00537	VACUUM, 82", 115V	2 EA
78	D11134	VAC PLATE	1 EA
79	E11169	GASKET, VAC MOTOR	2 EA
80	J00657	HOSE CLAMP, 2 "	1 EA
81	C11142	SCREW, 1/4-20 X 3 1/2", FLATHEAD	1 EA
NOT SHOWN	1040AC-HP	HOSE ASSY., 15', HIGH PRESSURE	1 EA
NOT SHOWN	H11171	LABEL, GALAXY	1 EA
NOT SHOWN	L11149	BOX	1 EA
NOT SHOWN	L11294	CARDBOARD INSERT	2 EA
NOT SHOWN	S11179	NON-SKID TAPE	0.50FT
NOT SHOWN	ZF1202	OWNERS MANUAL	1 EA