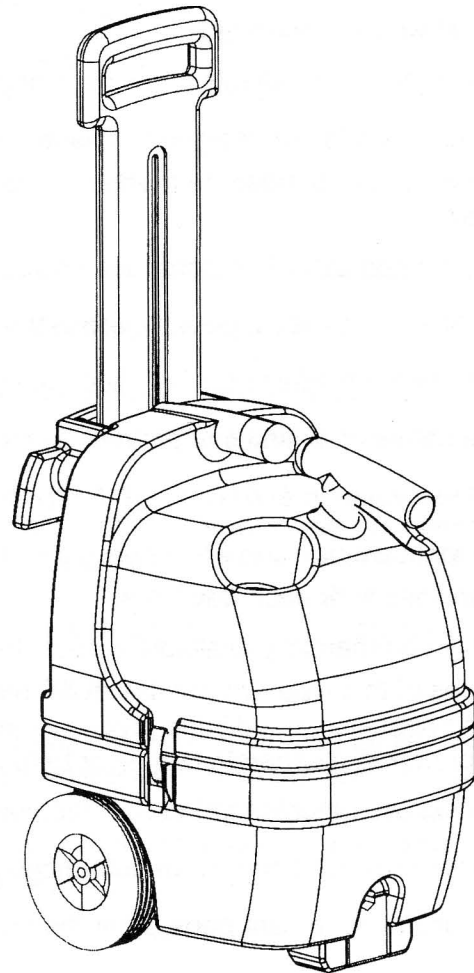
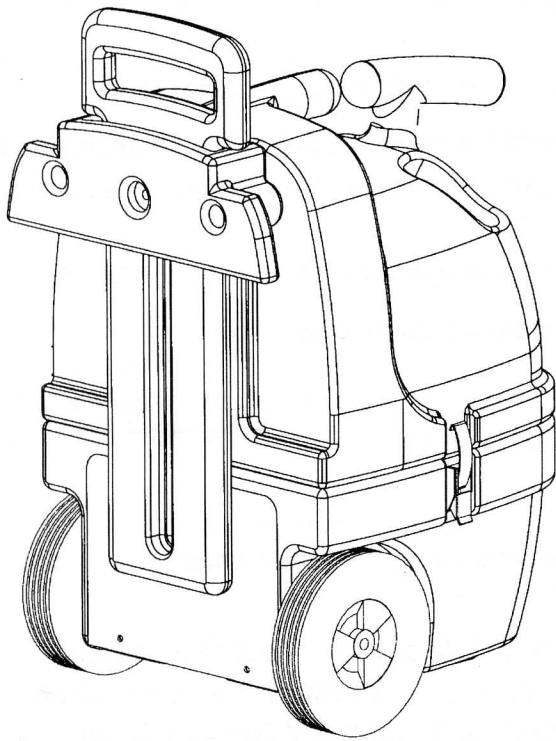


BRAVO

OWNER'S MANUAL & PARTS LIST

This equipment is intended for commercial use only.



BRAVO 237B
237BH
219B
219BH



BEFORE OPERATING THE MACHINE

Read the manual carefully and completely before attempting to operate the unit. This manual has important information for the use and safe operation of the machine. Keep this manual handy at all times. This machine will assure years of satisfactory service if operated and maintained according to recommendations in this manual. If additional information is needed, please contact your local distributor or write to:

EDIC
1753 Blake Avenue
Los Angeles, CA 90031-1006

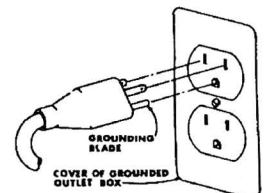
WARNING

- The machine was designed for use on carpet, floor and upholstery extraction applications as per instructions and recommendations written in this manual. Any deviation from its proper use or purpose and the consequential damage that may occur is the sole responsibility of the end user.
- Disconnect the power cord from outlet before servicing. Do not leave machine connected to an electrical outlet when unattended.
- Do not immerse or use this machine in standing water. Such use may cause electric shock.
- This equipment is not designed to handle or use combustible/volatile substances such as gasoline or kerosene, in, on, or near the machine. The use of such materials will cause an extreme hazardous condition.
- When using an extension cord, use only a 3 conductor grounding cord – 14 ga. wire or heavier.
- To avoid electric shock, do not expose the unit to rain – store it indoors only.
- Do not use the machine for dry vacuuming.
- Use defoamer at all times to prevent damage to the vacuum motor(s).
- Do not use water in excess of 170°F (76°C).
- To prevent seal damage and chemical build-up to the pump system, run clean water through the solution lines after each day's use.
- Use only commercially available carpet cleaning solutions and defoamer intended for use with machines of this type. Do not use dyes, bleaches, ammonia or other additives. The use of powdered cleaning solution if not diluted properly may result in damage to the pump. If powdered chemicals are used, premix in a separate container before placing in the solution tank.
- Do not expose machine to freezing temperatures.
- All repairs must be done by an authorized EDIC repair station.
- Do not use replacement parts other than those specified on the parts list.

FAILURE TO COMPLY WITH THE ABOVE WARNING INSTRUCTIONS WILL VOID THE WARRANTY

GROUNDING INSTRUCTIONS

The 120 V. A/C and the 220 V. A/C models have been outfitted with the appropriate grounded connectors. Make sure the machine is connected to a grounded outlet having the same configuration as the grounded plug. No adapter should be used with this machine. Any modification to the connectors will void the warranty.



PREPARING THE MACHINE (All Bravo Equipment)

1. Unfasten the two latches which hold the recovery tank to the solution tank.
Lift recovery tank off solution tank.
2. Pour clean solution into the solution tank.
3. Replace the recovery tank onto the solution tank and fasten the two latches.
4. Plug power cord into a grounded power outlet.
5. Connect vacuum and solution hoses to the Bravo.
6. Previously shampooed carpets...(see book for balance)

OPERATING INSTRUCTIONS - CARPET TOOL

1. Turn on the vacuum and solution switches. Slowly pull the tool towards you with the solution valve trigger engaged. Do not overwet carpet! Make overlapping passes to prevent streaking.
2. When you run out of solution, turn off the switches. Disconnect vacuum hose from recovery tank. Unfasten latches and lift recovery tank off solution tank. Drain recovery tank completely and flush it several times with clean water to remove all dirt and prevent odor build-up.
3. When the job is completed, turn the switches off, disconnect the vacuum and solution hoses from the carpet tool and the machine. Drain the recovery tank as before. Tip solution tank upside down over a sink to drain the unused cleaning solution.

CLEANING UPHOLSTERY

Cleaning upholstery with success requires a good knowledge of the type of fabric to be worked on. Look for the cleaning instruction label sewn on the underside of the furniture for the recommended method of cleaning the fabric. If it calls for dry cleaning, do not attempt to clean with the wet extraction method. Otherwise, damage to the fabric could occur. Extraction works perfectly on most synthetic fabrics including synthetic velvets.

Before proceeding, test the fabric for colourfastness. Apply a small amount of ready-to-use cleaning solution on the fabric in an inconspicuous spot. Wait for 2 to 3 minutes and rub the area with a white terry cloth towel. If no color comes off the towel, the fabric should be safe to clean. If a little color comes off, there is some risk of colors running when you clean. It may be possible to stabilise colors by cleaning with an acidic rinse.

1. Prepare the machine in the same manner (see preparing the machine).
2. Clean with the upholstery tool using as little solution as possible. Make overlapping passes to prevent streaking. Go over the area you just cleaned without depressing the lever (vacuum only) and gauge the amount of moisture extracted through the plastic tool for dryness. On heavily soiled areas like arm rests, pre-treat with a recommended pre-spray and /or hold the upholstery tool a few inches above the fabric and press lever to spray on the solution before making a pass.

DAILY MAINTENANCE

1. Always keep the machine clean inside and out.
2. Pour 1 quart of clean hot water in the solution tank. Turn the pump on and flush the entire system through the wand nozzles for about a minute to prevent alkaline build-up.
3. Remove dirt and lint build-up inside the circular filter screen located between the recovery and solution tanks. Lint should be cleaned off so that air flow is not impeded.
4. Check the solution tank strainers in the solution tank. If lint has accumulated on the screens, remove and rinse them in clear running water.

PERIODIC MAINTENANCE

All EDIC machines are engineered and built to require a minimum of maintenance. But like any machine, it does require some care to keep it in optimum working condition. Careful attention to these maintenance instructions will give you maximum operating performance and will increase the life expectancy of your machine.

- Solution Lines and Fittings. Flush the machine at least once a month with a solution of 1 part water with 3 parts white vinegar in order to neutralize the alkaline residue left by the cleaning solution.
- Quick connect coupler. Spray with INOX or lubricant to prevent coupler from sticking.
- Solution pump. The same above procedure used on solution line and fittings applies to the pump.

TROUBLESHOOTING

ELECTRICAL SYSTEM

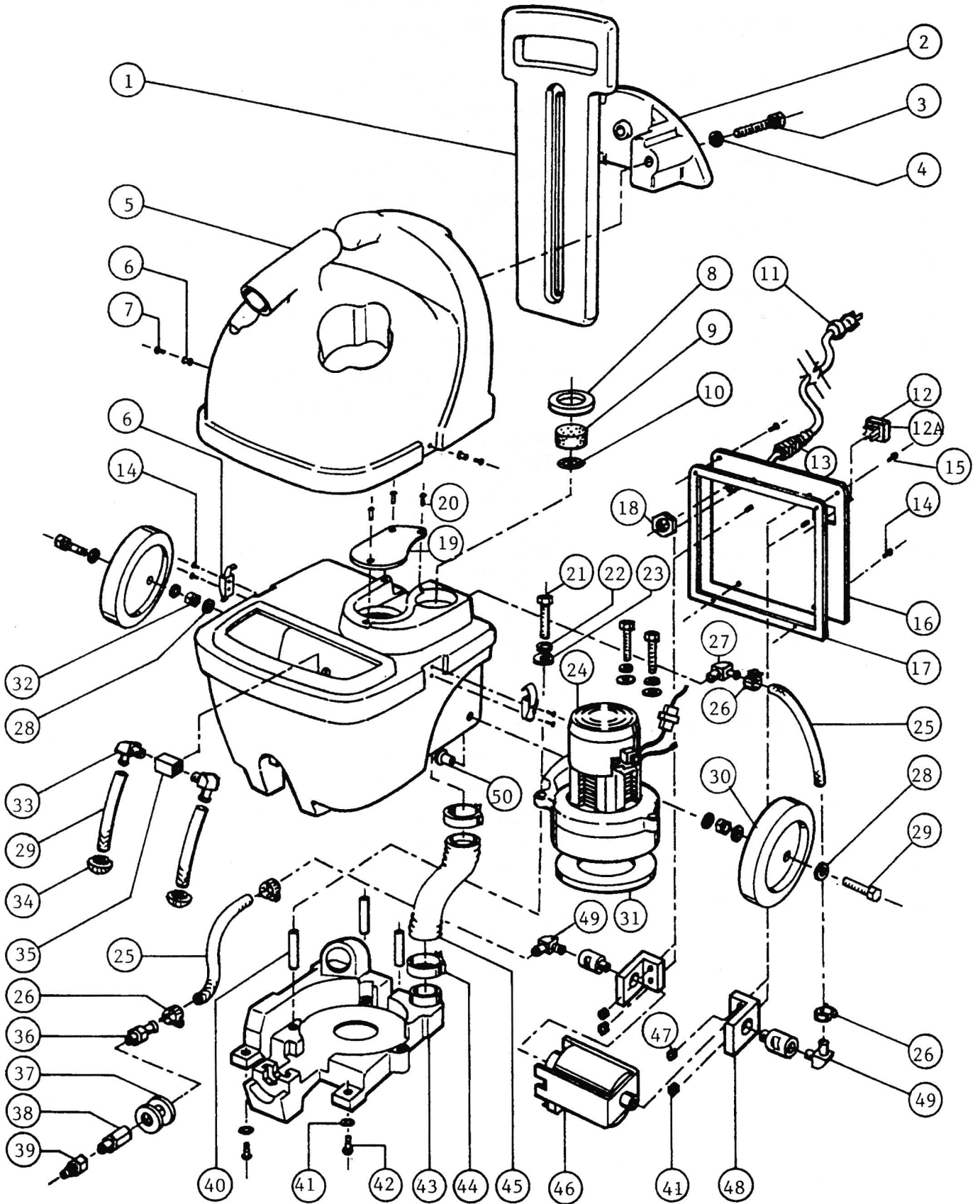
PROBLEM	POSSIBLE CAUSE
No electrical power.	1. Defective power cord. 2. House or building circuit breaker tripped.
Switch is turned on. Power is intermittent to all motor(s)	1. Faulty electrical cable. 2. Defective switches. 3. Loose terminal or discolored terminal connections.

VACUUM SYSTEM

No Vacuum or Low Vacuum	1. Vacuum filter between tanks is clogged. 2. Vacuum hose is not tight onto recovery tank inlet tube. 3. Recovery tank is not firmly clamped down onto solution tank. 4. Vacuum gasket located between the recovery and solution tanks is worn or damaged.
-------------------------	---

SOLUTION SYSTEM

Pump motor on, no spray thru spray tips	1. Clogged spray tips. 2. Clogged solution intake filter screens. 3. Plugged quick disconnect coupler.
Uneven or weak spray from tips.	1. Clogged or dirty spray tips. 2. Accumulated dirt on solution intake filter screens. 3. Accumulation of debris inside pump and plumbing. 4. Worn nozzles.



**BRAVO
PARTS DIAGRAM**

BRAVO PARTS LIST

ITEM #	PART #	DESCRIPTION	QTY.
30	G11688	WHEEL, 6"	2
31	E10521	GASKET, VACUUM MOTOR	1
32	C11702	HEX NUT, 3/8 16	2
33	A00130	90° ELBOW, 1/8 MP X 1/4 B	2
34	D11684	INLET FILTER	2
35	A00152	TEE, 1/8 MP X 1/8 FP X 1/8 FP	1
36	A00139	1/4 MP X 1/4 BARB, BRASS	1
37	C00232	WASHER, 1/2" FLAT	3
38	A00121	1/4 MP X 1/4 FP BRASS	1
39	A00104	QUICK DISCONNECT, 1/4 MALE	1
40	K11703	SPACER, 1/4-20 X 1/2 OD X 1 3/4 LONG	3
41	C03251	WASHER, 3/6" ID, BACKUP, .490 OD	4
42	C90007-1	SCREW, 10-32 X 1" PHIL TRUSS HEAD, SS	2
43	F11698-B	MOTOR BASE	1
44	J00656	HOSE CLAMP, 1 1/2"	2
45	J00618-1	VACUUM HOSE, 1 1/2", WIRE REINFORCED	10"
46	G11689	PUMP, OSCILLATING	1
47	C00278	NYLON LOCKNUT, 10-32	1
48	E11691	PUMP BRACKET	2
49	A00134	90° ELBOW, 1/8 MP X 1/4 B	2
50	C11724	3/8-16, WELD NUT	2

NOTES

