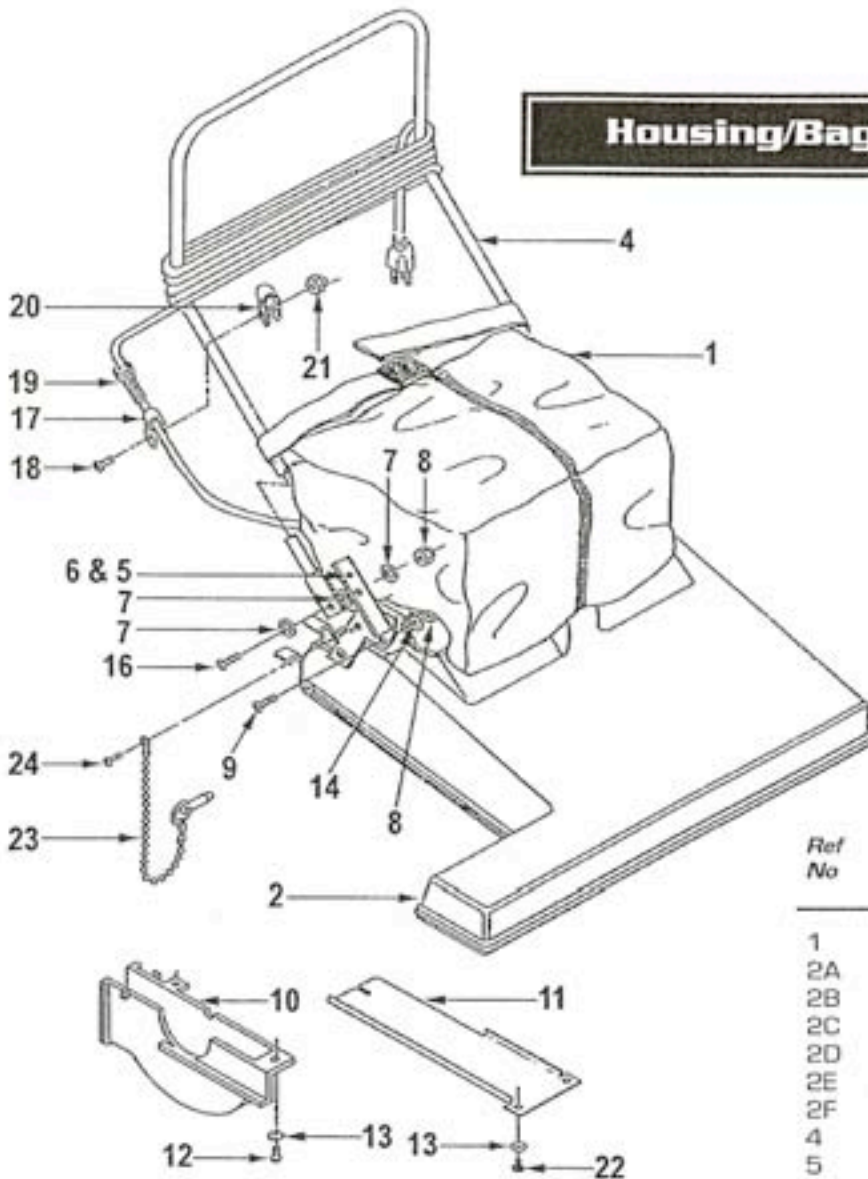


Replacement Parts List

Housing/Bag/Handle Assembly



Ref No	Description	Qty	Part No
1	Cloth Filter Bag	1	387428
2A	SV200 - 20" Housing	1	381926
2B	SV240 - 24" Housing	1	396036
2C	SV280 - 28" Housing	1	396044
2D	SVG201 - 20" Housing	1	317667
2E	SVG241 - 24" Housing	1	314809
2F	SVG281 - 28" Housing	1	317691
4	Push Handle	1	318523
5	Right Handle Bracket	1	315583
6	Left Handle Bracket	1	315591
7	Flat Brass Washer	6	380679
8	1/4 - 20 Nylock Nut	6	380784
9	1/4 - 20 X 7/8 Screw	4	318884
10	Fan Cover	1	392561
11	Intake Cover	1	381268
12	8 - 32 X 1/4" Screw	2	380598
13	#8 Int Tooth Lockwasher	10	380709
14	Flat Washer	18	380652
16	1/4 - 20 X 3/4" Screw	2	342831
17	Clamp	1	381055
18	1/4 - 20 X 5/8" Hex Bolt	4	380636
19	2 3/4 X 3/4" Spring	1	381160
20	7/8" Clip w/Vinyl	1	318922
21	1/4 - 20 Acorn Nut	1	328146
22	8-32 X 3/8" Screw	3	367389
23	Speed Pin Assembly	1	321001
24	10 - 24 X 1/2" Self-Tap Screw	1	385379

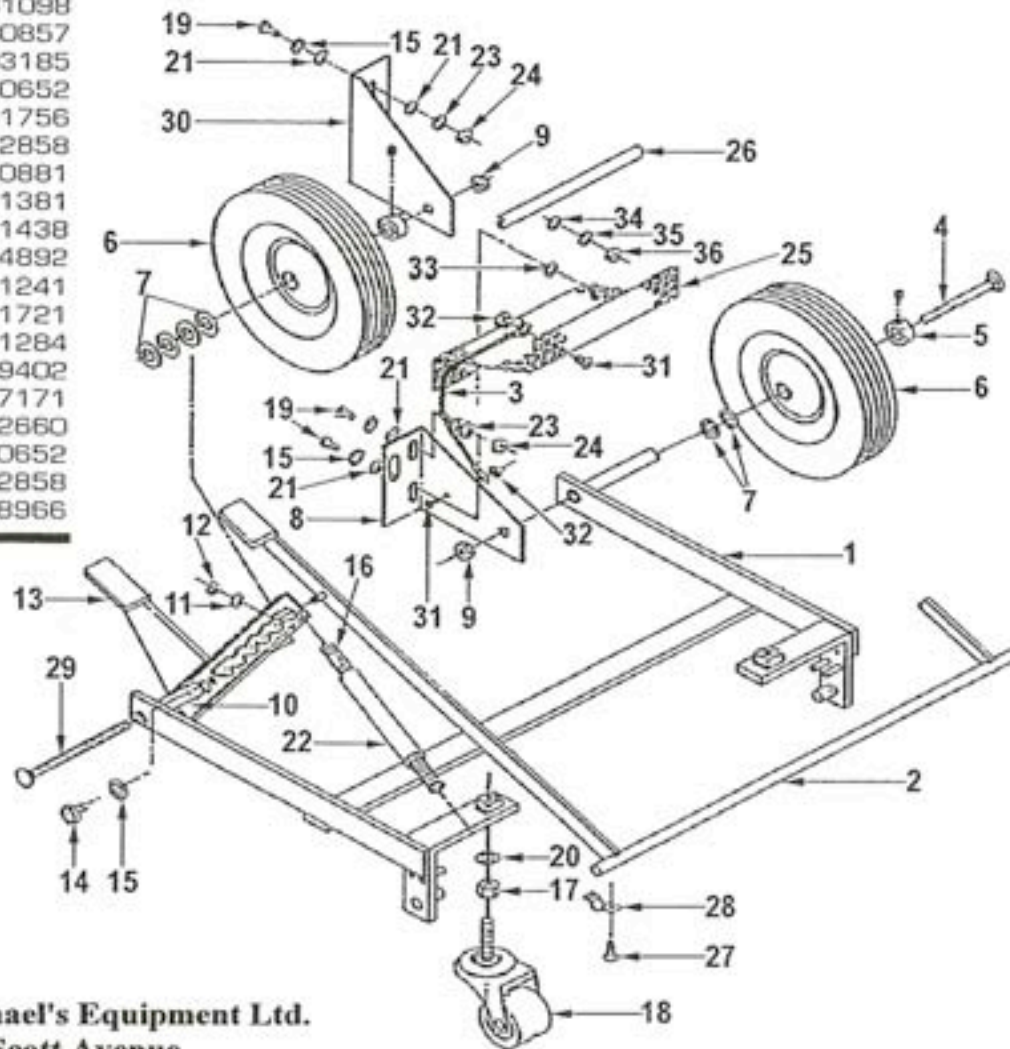


Michael's Equipment Ltd.
105 Scott Avenue
Paris, ON N3L 3E5

Replacement Parts List

Ref No	Part Description	Qty	Part No
1	Frame Assembly	1	381357
2	Linkage Assembly	1	381349
3	Ground Lead w/Terminals	1	383031
4	3 ¹ / ₄ " Carriage Bolt	1	381748
5	Collar w/Set Screw	2	382035
6	6" X 1 ¹ / ₄ " Wheel	2	381594
7	Flat Washer	6	315435
8	Left Wheel Bracket	1	381292
9	⁵ / ₁₆ - 18 Locknut	2	380792
10	Ratchet Plate	1	381179
11	Flat Brass Washer	1	380679
12	Retaining Ring	1	381020
13	Height Adjustment Pedal	1	381322
14	1/4 - 20 X 3/8" Screw	2	380903
15	Int Tooth Washer	8	380695
16	Adjustment Pedal Spring	1	382043
17	³ / ₈ - 16 Nut	2	380741
18	1 ¹ / ₄ " Swivel Caster	2	381098
19	1/4 - 20 X 7/8" Screw	5	380857
20	³ / ₈ " Lockwasher	2	393185
21	Flat Washer	22	380652
22	4" Spring Tube	1	381756
23	1/4" Lock Washer	4	342858
24	1/4 - 20 Wave Nut	3	380881
25	Cover Assembly	1	381381
26	3" Bumper	1	381438
27	10 - ⁵ / ₈ " Hi-Lo Screw	7	434892
28	Linkage Retainer	1	381241
29	4 ¹ / ₄ " Carriage Bolt	1	381721
30	Right Wheel Bracket	1	381284
31	6 - 32 X ³ / ₈ " Screw	1	349402
32	6 - 32 Hex Nut	2	377171
33	Spacer	1	322660
34	1/4" Flat Washer	7	380652
35	1/4" Lockwasher	7	342858
36	1/4 - 20 Hex Nut	2	338966

Chassis Assembly

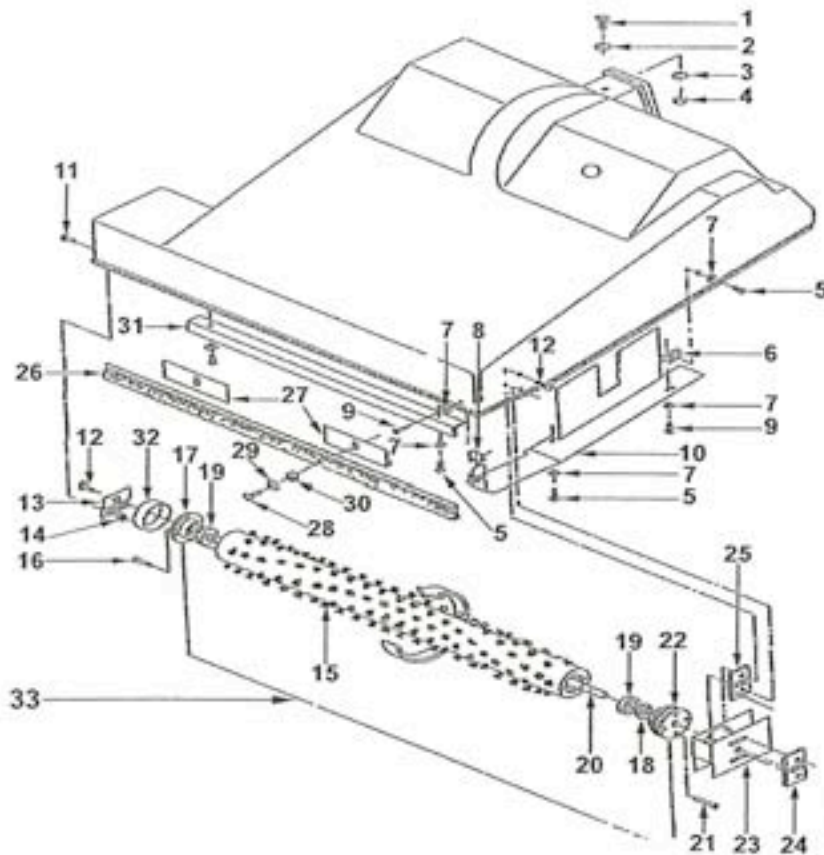


MICHAEL'S

Michael's Equipment Ltd.
105 Scott Avenue
Paris, ON N3L 3E5

Replacement Parts List

Brush & Body Assembly



Ref No	Part Description	Qty	Part No
1	1/4 - 20 X 3/4" Screw	1	342831
2	Flat Washer	1	380652
3	1/4" Split Lockwasher	1	342858
4	1/4 - 20 Nut	4	380881
5	#8 -18 Screw	2	381799
6	Tinnerman	1	381616
7	#8 Int Tooth Lockwasher	6	380709
8	Tinnerman	1	380873
9	8 - 18 X 5/16" Screw	3	381799
10A	SV-Series Belt Guard	1	381365
10B	SVG-Series Belt Guard	1	316881
11	10 - 24 X 1/2" Screw	2	380938
12	10 - 24 X 5/16" Screw	8	380997
13	Brush Bracket	1	381233
14	10-24 Nut Hex	2	381004
15A	SV200 - 20" Brush	1	388564
15B	SV240 - 24" Brush	1	388572
15C	SV280 - 28" Brush	1	388580
15D	SVG201 - 20" Brush	1	320420
15D	SVG241 - 24" Brush	1	320447
15E	SVG281 - 28" Brush	1	388580
16	8 - 18 X 1" Hi-Low Screw	4	388629
17	Brush Cap	1	381225
18	Felt Washer	1	381187
19	Double Seal Bearing	1	380849
20A	20" Brush Shaft	1	381462
20B	24" Brush Shaft	1	381276
20C	28" Brush Shaft	1	381470
21	8 - 18 X 1 1/4" Hi-Lo Screw	4	388637
22	Brush Pulley	1	381217
23	Dust Guard	1	381446
24	Reinforcing Plate	1	381500
25	Reinforcing Plate	1	381411
26A	20" Brush Strip	1	318493
26B	24" Brush Strip	1	318507
26C	28" Brush Strip	1	318515
27	Brush Strip Holder	2	317144
28	#10 - 24 X 1/2" Screw	2	385379
29	Burr Washer	4	369519
30	Nylon Flat Washer	2	361054
31	Baffle	1	381306
32	Thread Guard	1	381527
33A	SV200 - 20" Brush Assy	1	382310
33B	SV240 - 24" Brush Assy	1	382329
33C	SV280 - 28" Brush Assy	1	382337
33D	SVG201 - 20" Brush Assy	1	321085
33E	SVG241 - 24" Brush Assy	1	321052
33F	SVG281 - 28" Brush Assy	1	321141
34A*	20" Ft Nozzle Baffle Strip	1	317160
34B*	24" Ft Nozzle Baffle Strip	1	315419
34C*	28" Ft Nozzle Baffle Strip	1	317195

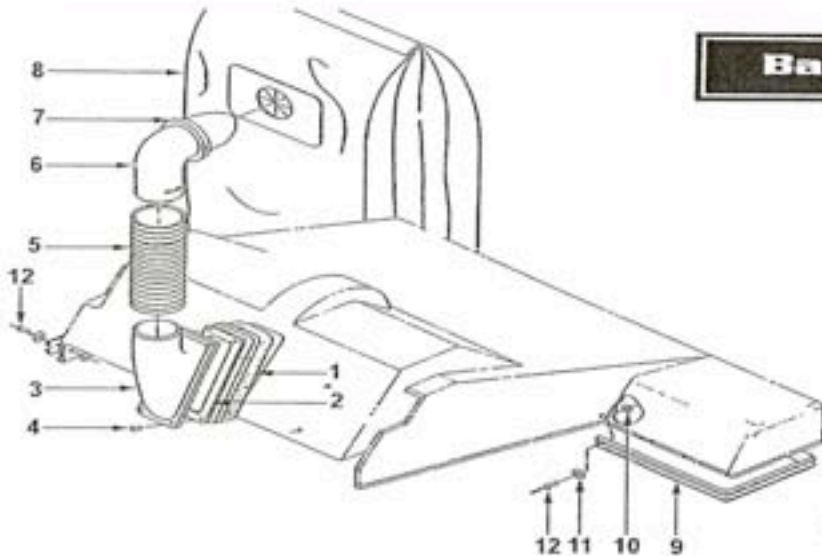
*Not Shown



Michael's Equipment Ltd.
105 Scott Avenue
Paris, ON N3L 3E5

Replacement Parts List

Bag Adaptor & Bumper

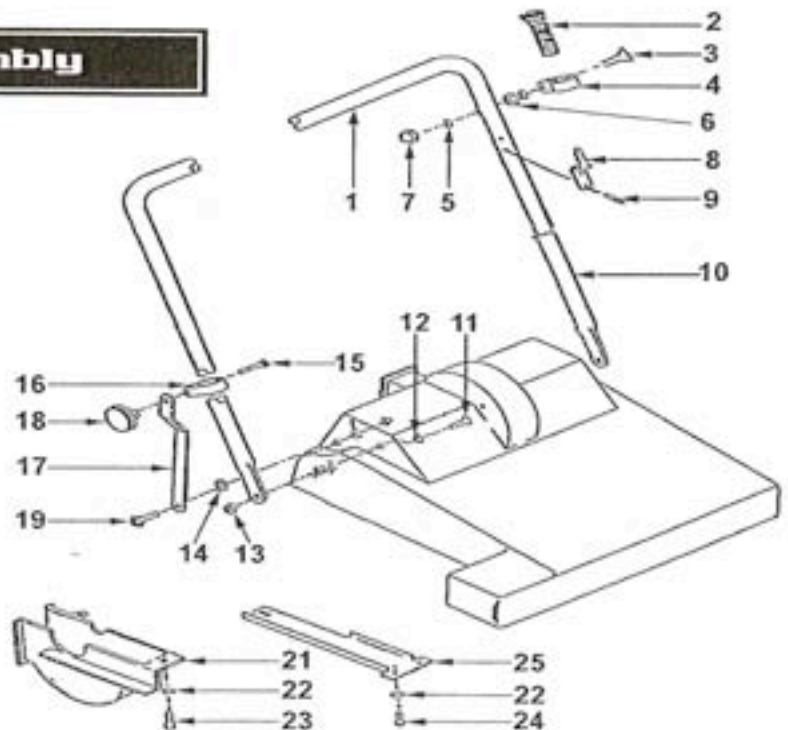


Ref No	Part Description	Qty	Part No
1	Flat Gasket	1	381551
2	Flat Gasket	1	385492
3	Hose Adaptor	1	385468
4	10 X ²⁵ / ₆₄ " Hi-Lo Screw	4	306806
5	Vacuum Hose	1	321036
6	Bag Adaptor	1	384674
7	Circle Gasket	1	385956
8	Disposable Paper Bag (5 Pk)	1	332836
9A	20" Bumper	1	357189
9B	24" Bumper	1	324388
9C	28" Bumper	1	324418
10	Flat Burr Washer	2	322164
11	Steel Washer	4	369519
12	Pop Rivet	2	374733

Handle & Fan Cover Assembly

(Pre 1992 Sweeper Vac Models)

Ref No	Part Description	Qty	Part No
1	Curved Handle Section	1	394645
2	Spring	1	381180
3	¹ / ₄ - 20 X 1 ¹ / ₄ " Screw	1	381977
4	Clamp	1	381055
5	Int. Tooth Lock Washer	2	380695
6	¹ / ₄ - 20 Hex Nut	1	380881
7	¹ / ₄ - 20 Cap Nut	1	321028
8	Cord Bracket	2	381152
9	Rivet	4	381047
10	Straight Handle Section	2	394853
11	¹ / ₄ - 20 X 1" Screw	2	387177
12	Ext. Tooth Lock Washer	2	380687
13	¹ / ₄ - 20 Stop Nut	4	380784
14	Flat Washer	6	380852
15	⁵ / ₁₆ - 18 X 1 ¹ / ₂ " Bolt	2	380989
16	Clamp	2	387118
17	Handle Brace	2	381314
18	Knob	2	381861
19	¹ / ₄ - 20 X ⁷ / ₁₆ " Screw	2	318884
20	¹ / ₄ - 20 Jam Nut	2	381993
21	Fan Cover	1	392561
22	Int. Tooth Lock Washer	5	380709
23	8 - 32 X ¹ / ₂ " Screw	2	380598
24	8 - 32 X ²⁵ / ₆₄ " Screw	2	380601
25	Intake Cover	1	381268

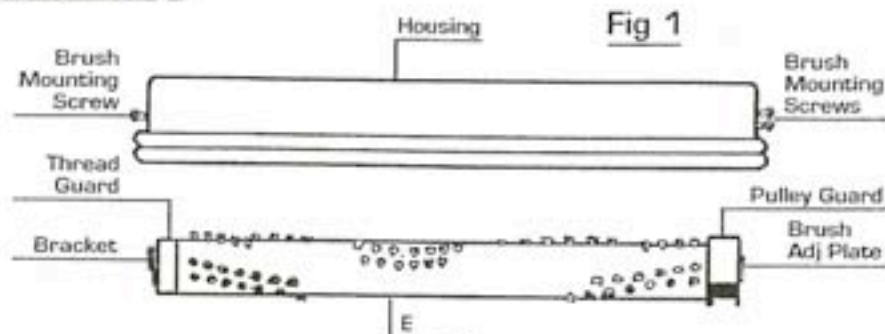


MICHAEL'S

Michael's Equipment Ltd
105 Scott Avenue
Paris, ON N3L 3E5

Care and Maintenance

Brush Assembly



NOZZLE / BRUSH / BELT ADJUSTMENT

Brush Adjustment

The top pedal at right rear of vacuum is used to adjust the brush up from carpet floor. There are five settings. The basic settings can be changed by adjusting the front caster heights floor. Casters are adjusted to provide level contact of bristles to carpet.

To lower brush, depress lower pedal at right rear of machine, using slow positive pressure, release one notch of ratchet at a time.

Nozzle Adjustment

The nozzle should be set for various carpet nap heights. Carpets with low nap use lower settings, high nap higher settings. The highest setting consistent with good cleaning should be used for the type of carpet being cleaned.

Setting the nozzle lower than necessary may not result in good cleaning performance. Excessive wear to the carpet and brush bristles occurs and the vacuum is difficult to push.

Belt Adjustment

Adjust belts for wear by loosening the brush mounting screws. Pull brush forward until belt is taut, retighten the screws.

See brush assembly schematic, parts list and fig 1.

CARE & MAINTENANCE

Cloth Filter Bag

The outside cloth filter bag should be kept clean for best results.

To clean:

- 1) Release velcro bag strap, remove paper bag, and cloth bag turn inside out through zipper opening and shake out bag.
- 2) Replace cleaned cloth filter bag and new paper filter bag

Brush Assembly

When the brush assembly is worn it should be replaced.

To replace:

- 1) Remove belt cover, screws (2) at each end of the brush housing.
- 2) Remove bracket, thread guard and re-assembly to new brush assembly.

See brush assembly schematic and parts list. Replace belt and adjust as instructed above.

Power Cord

Check the power cord for worn spots, etc. Replace if defective for safety of the operator.

When vacuum is not in use wrap cord around handle.

HELPFUL CLEANING TIPS

1) On heavily soiled carpets:

Push the vacuum back and forth. This lifts carpet pile and helps remove dirt.

2) On hard floor surfaces:

Use the lowest setting.

3) Airborne Dust:

Is kept to a minimum when the cloth filter bag and paper bag are kept clean.

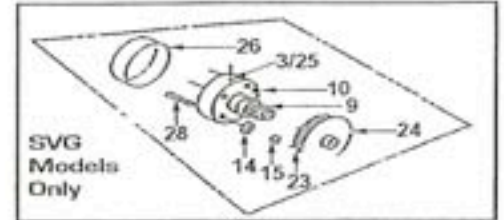
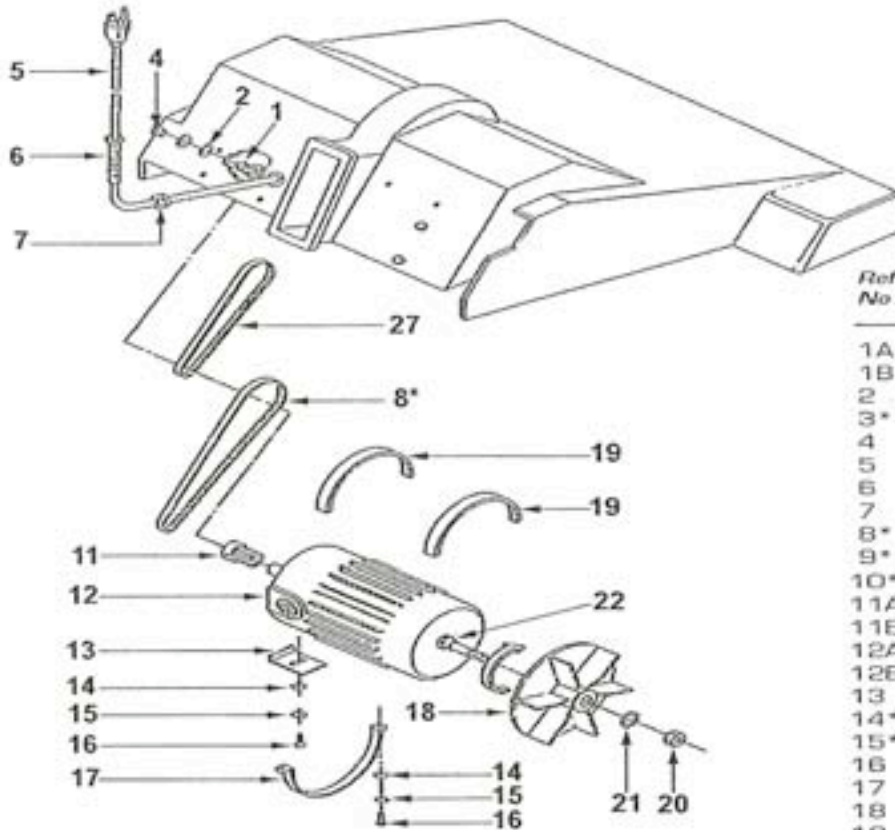


MICHAEL'S

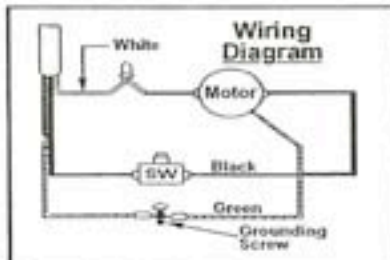
Michael's Equipment Ltd.
105 Scott Avenue
Paris, ON N3L 3E5

Replacement Parts List

Motor & Brush Drive Assembly



Ref No	Description	Qty	Part No
1A	Switch w/Terminal (115 Volt)	1	381012
1B	Switch w/Terminal (230 Volt)	1	382124
2	Steel Spacer	1	381853
3*	Ball Bearings	2	315680
4	Switch Button Cover	1	381039
5	16/3 - 60 Ft Line Cord	1	381896
6	2 ³ / ₄ X 1 ¹ / ₂ " Spring	1	381160
7	Strain Relief	1	381063
8*	Timing Belt	1	315605
9*	Motor Drive Pulley	1	381209
10*	#10 - 24 X 1 ¹ / ₄ " Set Screw	2	380644
11A	SV-Series Motor Pulley	1	381209
11B	SVG-Series Motor Pulley	1	315621
12A	115 Volt Motor	1	381950
12B	230 Volt Motor	1	381535
13	Motor Clamp Bracket	2	381578
14*	1 ¹ / ₄ " Flat Washer	8	380652
15*	1 ¹ / ₄ " Lockwasher	4	342858
16	1 ¹ / ₄ - 20 X 5 ⁵ / ₁₆ " Hex Bolt	4	380636
17	Motor Clamp	1	381403
18	Fan Motor	1	381918
19	6" Strip Gasket	2	381640
20	1 ¹ / ₂ - 20 X 3 ³ / ₄ " Hex Nut	1	380776
21	Steel Washer	1	381780
22	Motor Seal "V-Ring"	1	380563
23*	1 ¹ / ₄ - 20 Locknut	4	380784
24*	Timing Belt Pulley	1	315664
25*	Bearing Housing	1	315389
26*	Vinyl Cap	1	317152
27A	SV-Series Poly V Belt	1	381071
27B	SVG-Series Poly V Belt	1	315613
28*	1 ¹ / ₄ - 20 X 1 ¹ / ₂ " Screw	4	318914
29*	Keeper Ring (Not Shown)	1	315702
30*	Jack Shaft (Not Shown)	1	315397
31*	Jack Shaft Assembly (N/S)	1	316903
32*	Jack Shaft Assy w/Pulley (N/S)	1	344672



MICHAEL'S

Michael's Equipment Ltd.
105 Scott Avenue
Paris, ON N3L 3E5

* SVG Vacuums only.