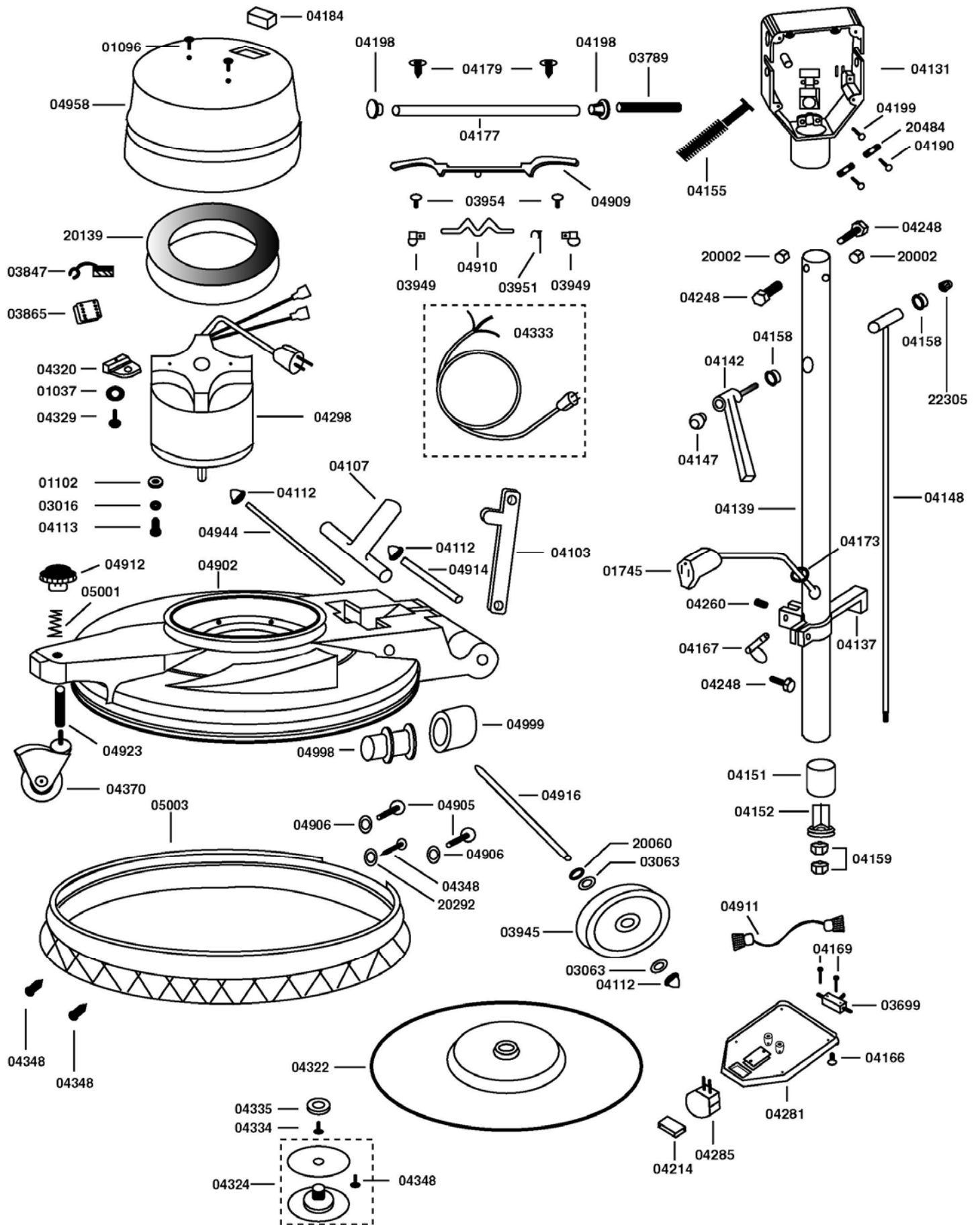


Spectra UHS 2000 - 20"

July 2001



Spectra UHS 2000 - 20"

Parts List

July 2001

Item	Description	Qty	Item	Description	Qty
01037	3/8 Spring Lock Washer	4	04199	8-32 X 1/4 Taptite Phillips	1
01096	10-24 X 1/2 PHS Phillips	2	04214	Switch Insert	1
01102	5/16 Flat Washer	4	04248	1/4-20 X 3/4 HHCS	3
01745	Pigtail Female 42"	1	04260	5/16-18 X 6/16 Set Screw	1
03016	5/16 Spring Lockwasher	4	04281	Switch Box Cover	1
03063	1/2 " Nylon Washer	4	04285	Amp Meter	1
03699	Micro Sw. 1-1/2 HP	1	04298	Motor UHS 200 RPM	1
03789	Handle Grip Foam	2	04320	Support Bracket	4
03847	Motor Brush	4	04322	Flexible Drive Assembly	1
03865	Rectifier	1	04324	UHS Pad Centre Lok	1
03945	Wheel 5"	2	04329	3/8-16 X 5/8 HHCS	4
03949	Knob Safety Switch	2	04333	14/3 X 75 FT Cord Set	1
03951	Spring Safety Switch	1	04334	5/16-18 SHCS	1
03954	6-32 X 1/4 Tap Screw	2	04335	Cup Washer	1
04103	Handle Brace Painted	1	04348	#8 X 5/8 PHSMS	6
04107	T-handle Support Paint	1	04370	Caster UHS B/R Support	1
04112	Axle End Caps	4	04905	1/4-20 X 3/4" PHS	2
04113	5/16-18 X 1-1/2 HBB	4	04906	1/4" Lg. Dia. Washer	2
04131	Switch Box	1	04909	Trigger	1
04137	Brace Lock Painted	1	04910	Lever Safety Swtich	1
04139	Handle Tube Plated	1	04911	Wire Lead Switch	1
04142	Cam Lever Assembly	1	04912	UHS Adjust Knob	1
04147	Heyco Cam Lever Plug	1	04914	Brace Axle Plated	1
04148	Extension Rod Welded	1	04916	Wheel Axle Plated	1
04151	Tapered Sleeve	1	04923	UHS Wheel Stud	1
04152	Wedge Handle	1	04927	Chassis-Assembly UHS	1
04155	Anti-Kink Spring	1	04944	T-Support Shaft	1
04158	Bushing	2	04958	Motor Cover UHS	1
04159	5/16-18 Nyloc Nut	2	04998	Sleeve Filter	1
04166	8-32 X 1/4 C Sunk Screw	4	04999	UHS Filter	1
04167	Hitch Pin	1	05001	UHS Adjust Wheel Spring	1
04169	6-32 X 7/8 Taptite Phillips	2	05003	Bumper/Skirt	1
04173	Grommet 3/8"	1	20002	1/4-20 Nyloc Nut	2
04177	Handle Tube	1	20060	1/2 Tension Washer TW8	6
04179	#14-1/1/2 Type A Screw	2	20139	Shroud Filter Sm. Wet	1
04184	Indicator Light	1	20292	8L Brass Washer	1
04190	8-32 X 1/2 Taptite Phillips	4	20484	Cord Grip / Strain Relief	2
04198	Handle Tube Plug	2	22305	3/8-16 Acorn Nut Flange	1



P.O. Box 72 - 105 Scott Ave

Paris, ON N3L 3E5

Toll Free: 800-263-3731 Fax: 800-489-7280