

**NOBLES®**

# Battery Typhoon

WET/DRY VACUUM

MODEL: WD16BATT

Operator & Parts Manual



PDF Version of manual by:  
Michigan Company Inc.  
2011 N. High St.  
Lansing, Mich. 48906  
(517) 484-9312  
<http://www.Michco.com>



**NOBLES INDUSTRIES**  
12875 RANSOM STREET  
HOLLAND MI 49424

A **TENNANT** COMPANY

1-800-739-9359  
616-786-2330  
FAX: 1-800-678-4240  
CUSTOMER SERVICE: 1-800-365-6625

Rev. 01 (12-94)

**ATTENTION!** Read manual carefully before operating machine.

**WARNING!!! FOR YOUR SAFETY**

- Do not pick-up flammable or hazardous materials.
- Do not operate where explosive vapors or dust are present in air.
- Disconnect batteries before performing any electrical repair. Electrical repair must be performed by an authorized service center or electrician.
- Do not expose to rain - store indoors.
- Do not allow machine to freeze.
- Carefully follow charging instructions covered in manual.

---

---

## SET-UP PREPARATION

**NOTE:** Check machine for shipping damage. Report any damage to carrier immediately.

---

### INSTALL BATTERIES:

*(Batteries and charger not included with machine.)*

**Recommended Battery:** Nobles recommends (2) deep cycle 12-volt 130 amp or 105 amp batteries with a 15 amp fully automatic battery charger. A fully charged 130 amp deep cycle 12-volt battery will provide approx. 7 hours of run time.

Nobles supplies batteries and chargers that best meets your need. To order recommended batteries and charger for this machine, specify part no. below:

- #130869 Deep Cycle 12-volt 130 amp Battery (2 required)
- #18275 Deep Cycle 12-volt 105 amp Battery (2 required)
- #1300948 15 amp Fully Automatic Battery Charger

BATTERY COMPARTMENT SIZE: 13"L x 14"W X 10" D

**WARNING!!!** Always wear protective clothing plus eye and face protection when installing or servicing batteries. Batteries contain acid which can cause severe burns on contact.

**WARNING!!!** When handling your batteries or working around batteries, NEVER place anything on top of the batteries. This could cause sparking and create an explosion hazard.

**NOTE:** If attaching Optional Squeegee Kit to machine, DO NOT install batteries until squeegee kit mounting bracket is installed. (See page 3 for Squeegee Kit Assembly instructions).

1. Open battery compartment, unlatch lower latches and carefully tilt recovery tank backwards. Remove loose battery cable at bottom of compartment.
2. Carefully set and position batteries into compartment as shown. (FIGURE 1)

**IMPORTANT!** Do not drop the batteries into the compartment!! This will damage batteries and machine housing. This damage is NOT COVERED BY WARRANTY.

3. Connect wires to batteries in sequence as followed:  
Use FIGURE 1 for assistance.  
First- Connect Black jumper wire  
Next- Connect Red and White wires  
Last- Connect 2 Black wires

**IMPORTANT!** To prevent any possible battery damage, double check all connections before closing compartment. Be certain that red and white wires are connected to positive battery post and black wires to negative post. If reversed vacuum motor will turn the opposite direction thus causing poor performance.

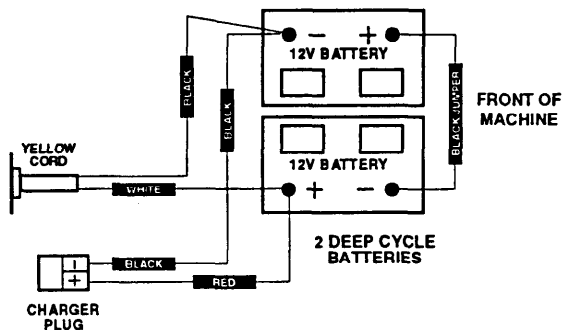


FIG. 1

---

### ATTACH OPTIONAL SQUEEGEE KIT OR OPTIONAL ACCESSORY TOOLS

*(Squeegee Kit Accessory Tools are not included with machine.)*

**NOTE:** The Typhoon is equipped with a 43" (109cm) and 10' (3m) vacuum hose. The hoses are stored in the recovery tank. The 43" is used for a squeegee kit and the 10' for the accessory tools.

NOBLES offers (3) different size Squeegee Kits.

To order Optional Squeegee Kit, specify part no. below:

- #190108 27" Squeegee Kit
- #190972 33" Squeegee Kit
- #190958 39" Squeegee Kit

**SQUEEGEE KIT** (See page 3 for Assembly Instructions.)

1. Attach squeegee to squeegee lift bracket.  
Use (2) thumb screws.
2. Slide 43" vacuum hose over neck on vacuum lid and to squeegee lift bracket.

### ACCESSORY TOOLS

1. Slide 10' vacuum hose over neck on vacuum lid.
  2. Connect desired optional accessory tool to vacuum hose. (Accessory Tools sold separately)
- To Order, specify part # below:

**OPTIONAL ACCESSORY TOOL KIT: #16593**

- Kit includes:
- 16" Floor & Rug Tool w/ Adjustable Brush
  - 2-Bend Aluminum Wand
  - 4" Upholstery Tool
  - Crevice Tool (plastic)
  - Round Dusting Brush
  - Push/pull Squeegee

---

## CHARGING BATTERIES:

**NOTE:** For convenience, Nobles recommends a 15 amp fully automatic charger for recharging deep cycle batteries.

**WARNING!!!** Keep fire or flame away from batteries. Batteries produce flammable gases which could explode and cause serious injury! Always charge batteries in a well-ventilated room.

**NOTE:** For first time use, batteries may need charging before operating machine. To guarantee a full charge before you begin, check electrolyte level and charge batteries. Follow instructions below:

1. To prolong the life of our batteries, periodically check electrolyte level (water) before charging batteries. It should just cover tops of battery plates. If plates are exposed, add just enough distilled water to cover plates. Do not fill to sight tubes before charging, because liquid expands during charging and could overflow. Do not use tap water, it contains impurities that may cause battery damage. After batteries are fully charged check electrolyte level once again. If necessary, add water until level reaches sight tubes.
2. Plug recommended battery charger into grounded 120 volt A.C. power outlet. (FIGURE 2)

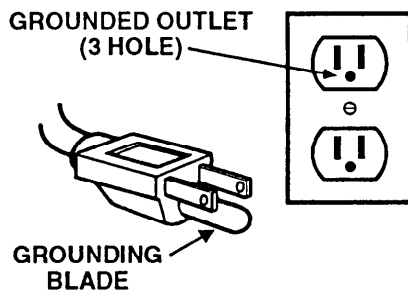


FIG. 2

**WARNING!!!** To avoid serious injury, plug charger into grounded (three prong) outlet only. Do not use adapter or remove ground pin.

3. Connect charger to charger receptacle located at rear of machine. The charger automatically begins charging and will shut off at a full charge.

---

## WHEN TO RECHARGE BATTERIES:

You do not have to recharge batteries after every use, depending on length of time being used. If Machine is used just for a short time, a hour or less, it is not necessary to recharge batteries. If batteries are discharged more than half way, definitely, recharge batteries and check electrolyte level. Never let batteries set discharged for more than a few days.

---

## OPERATING MACHINE:

---

### WET VACUUMING

**WARNING!!!** DO NOT vacuum up flammable liquids. Flammable liquids can cause an explosion or fire.

**NOTE:** Machine is equipped with a float that will automatically stop water intake when recovery tank becomes full. This will prevent any vacuum damage. Recovery tank will hold approx. 16 gallons of water.

**IMPORTANT:** If you are vacuuming up liquids that may cause foaming inside the vacuum, use a quality defoamer chemical to eliminate the foam. Foam will NOT shut off automatic float, and will damage vacuum motor. Damage due to foam is NOT covered by warranty.

### ACCESSARY TOOL WET VACUUMING:

1. Remove vacuum bag from recovery tank.
2. Activate switch and operate tools as normal.

### SQUEEGEE WET VACUUMING:

1. Remove vacuum bag from recovery tank.
2. Lower squeegee to floor, lightly kick the pedal forward to release from transport position.
3. Turn on the switch and begin vacuuming. The squeegee vacuums up water in both forward and reverse.
4. To raise the squeegee, step downward on the pedal until pedal engages in the transport position.

---

### DRAINING RECOVERY TANK:

1. Push machine to nearest floor drain, if not available use 5 gallon bucket to empty machine.
2. Remove drain hose from holder and twist off drain hose knob and drain. Raise hose to stop flow of water.
3. When recovery tank is empty, open lid and rinse tank with clean water to prevent odor buildup.
4. Replace drain hose knob and return to holder.

**IMPORTANT!:** Be certain drain hose knob is on snug to prevent suction loss.

---

## DRY VACUUMING

1. Place cloth filter bag into recovery tank and make sure that edge seals properly against rim of tank.

**NOTE:** For easy debris disposal and to increase the life of cloth filter bag, use paper vacuum bags. Place paper bag **inside** of cloth bag and tuck top of paper bag around outside rim of cloth bag. **Never use paper bag without cloth filter bag in place. Do not reuse paper bags - Always dispose.**

**IMPORTANT:** Always make sure that bag is in place before dry vacuuming. Dry vacuuming without bag in place will damage vacuum motor. This damage is **NOT** covered by warranty.

2. Close lid and fasten latches.
3. Activate switch and operate accessory tools as normal.

**NOTE:** Squeegee can be used to pick-up fine particles (dust, sand, sawdust etc...). Squeegee not recommended for ordinary pick-up.

4. Check bag periodically for fullness. Empty bag at 3/4 full for best suction performance.

---

---

## RECOMMENDED MAINTENANCE

**WARNING!!! For your safety: Disconnect batteries before performing any type of service.**

1. Wash filter bag by hand with a mild detergent. Let bag dry thoroughly before replacing. This will restore your bag so you can maintain good suction performance.
2. Clean automatic shut-off float screen inside tank once every month. The screen will come out of tank by pulling it downward. Be certain to replace screen securely. A twisting motion while pushing upward helps to lock screen in place.

**IMPORTANT:** Always have float screen in place before vacuuming. During wet vacuuming, the float screen protects the vacuum motor from water overflows. During dry vacuuming, the float screen can provide limited protection to vacuum motor from larger debris in case filter bag breaks.

3. Once each month, spray ball bearings in front swivel casters with silicone spray.
4. Clean squeegee blades with a cloth whenever they start to leave streaks on the floor. Replace squeegee blades when they become worn.

---

## BATTERY MAINTENANCE

**WARNING!!! For your safety: Disconnect batteries before performing any type of servicing. Wear protective clothing, gloves, goggles and face protection when working with batteries.**

**WARNING!!! To avoid serious personal injury, keep sparks and open flames away from batteries.**

1. Always follow proper charging instructions. This will prolong the life of the batteries.
2. Keep electrolyte (distilled water) at proper level. See *CHARGING BATTERIES* Section in manual.
3. Keep battery and terminal posts clean from corrosion. To remove corrosion, use battery cleaner or a mixture of baking soda and water, apply with brush.
4. Inspect battery cables periodically for good terminal connection and worn cables. Replace worn cables.
5. Replace battery if any physical damage is noticed.

---

---

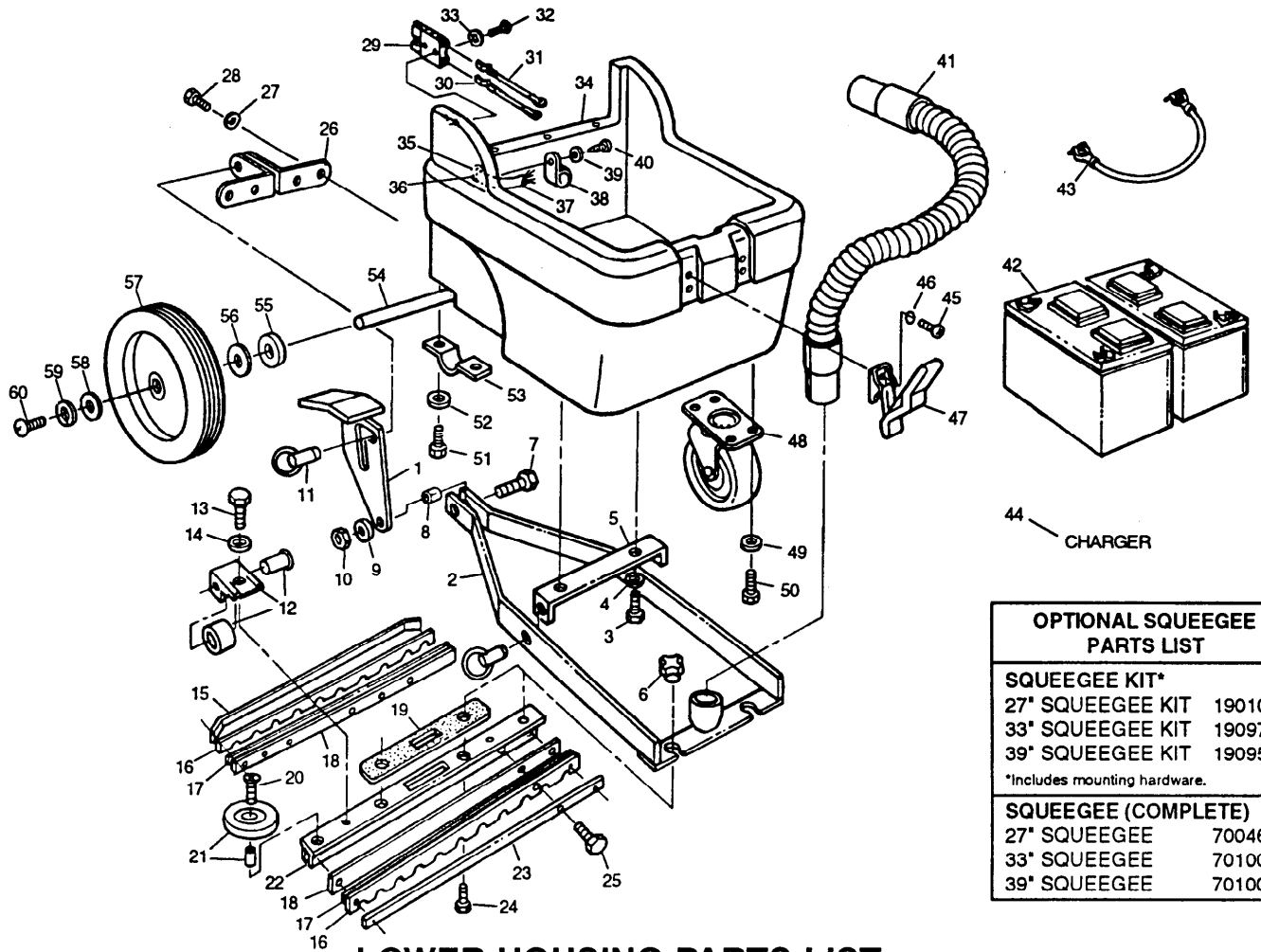
## OPTIONAL SQUEEGEE KIT ASSEMBLY INSTRUCTIONS

**NOTE:** Instructions refer to item #'s in Lower Housing Parts Diagram on next page.

**NOTE:** If squeegee mounting bracket #5 is installed, start with step 7.

1. Empty recovery tank.
2. Remove vacuum bags.
3. Remove batteries if installed. (See Install Batteries section on page 1.)
4. Tip machine on back.
5. Remove (2) bolts #3 and (2) lock washers #4 located at bottom of machine.
6. Install squeegee mounting bracket #5 (supplied w/ kit). Use bolts and washers removed.
7. Insert spacer #8 through hole in pedal #1 as shown. Position pedal between two holes in bracket #2 and slide hex head screw #7 through bracket and pedal. Use washer #9 and nut #10 and tighten.
8. Stand vacuum upright and position over assembled parts as shown. (Assembled parts should be positioned between front casters.)
9. Slide pedal #1 between two mounting arms on back of vacuum. Align and insert slide pin #11 through arms and slot in pedal.
10. Fasten bracket #2 to squeegee mounting bracket #5. Use (2) slide pins #11.
11. Attach squeegee assembly to bracket #2. Use (2) thumb screws #6.
12. Connect 43" vacuum hose to squeegee and vacuum lid.

# LOWER HOUSING PARTS DIAGRAM



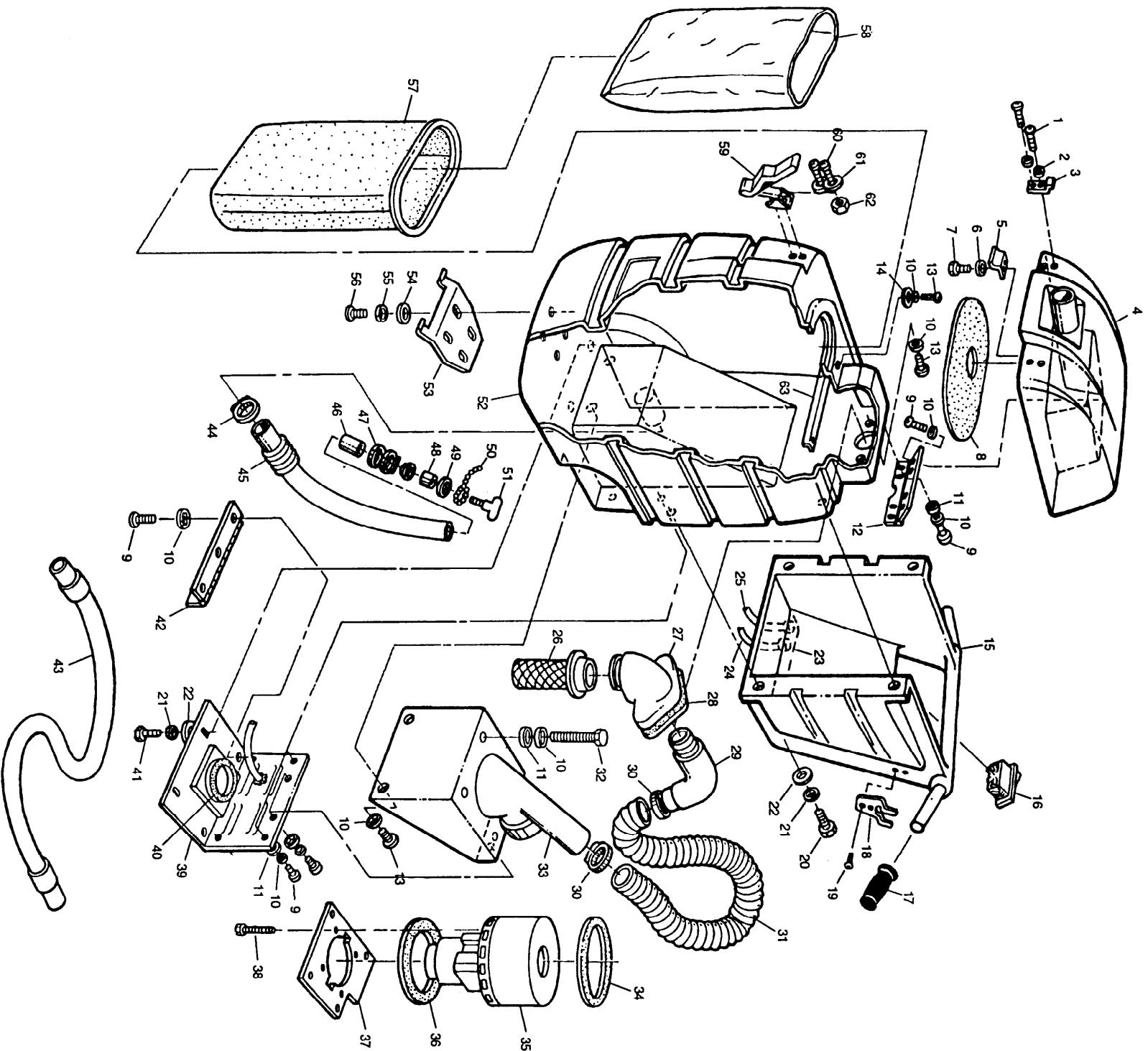
OPTIONAL SQUEEGEE PARTS LIST	
<b>SQUEEGEE KIT*</b>	
27" SQUEEGEE KIT	190108
33" SQUEEGEE KIT	190972
39" SQUEEGEE KIT	190958
*Includes mounting hardware.	
<b>SQUEEGEE (COMPLETE)</b>	
27" SQUEEGEE	700463
33" SQUEEGEE	701008
39" SQUEEGEE	701009

## LOWER HOUSING PARTS LIST

ITEM #	DESCRIPTION	PART #	QTY.	ITEM #	DESCRIPTION	PART #	QTY.
1.	*PEDAL LIFT	230456	1	25.	*SCREW, MACH.10-24 X 1/2" RNDPHL SS	140892	18
2.	*WELDMENT SQUEEGEE LIFT	230453.BK	1	26.	BRACKET, SQUEEGEE MOUNT	230950	2
3.	*SCREW, HXHDCP 3/8-16 X 3/4" S/S	140201	2	27.	WASHER, LOCK 1/4" S/S	140016	4
4.	*WASHER, SPLIT LOCK 3/8" - S/S	140017	2	28.	SCREW, HXHDCP 1/4-20 X 1/2" S/S	140553	4
5.	*BRACKET SQUEEGEE MOUNT	230454	1	29.	CONNECTOR PLUG	27833	1
6.	*KNOB, 5/16-18 THREAD - BLACK	27257	2	30.	ASM WIRE #14 X 17" RED 3/8" XAC	701163	1
7.	*SCREW, HXHDCP 3/8-16 X 1-1/4" S/S	140232	1	31.	ASM WIRE #14 X 22" BLK 5/16" XAC	701164	1
8.	*SPACER, CHASSIS 3/16 - BRASS	140925	1	32.	SCREW, MACHINE 6-32 X 3/4"	2728.12	2
9.	*WASHER, FLAT 3/8" USS - S/S	140028	1	33.	WASHER, EXTERNAL LOCK TOOTH	140019	2
10.	*NUT, LCK-NYL INSRT 3/8-16 S/S	140515	1	34.	BASE HOUSING	101296	1
11.	*PIN, COTTERLESS CLEVIS 3/8" X 1"	140634	3	35.	BUSHING, STRAIN RELIEF	130110	1
12.	*ASM SQUEEGEE ROLLER	700844	2	36.	GROMMET	240220	1
13.	*SCREW, HXHDCP 5/16-18 X 5/8" S/S	140226	2	37.	WIRE ASSEMBLY 1/2 X 45"	130385	1
14.	*WASHER, SPLIT LOCK 5/16" - S/S	140015	2	38.	CLAMP, TUBING 5/16" ID	140304	1
15.	*PLATE, REAR SQ (27" SQUEEGEE)	230725.BK	1	39.	WASHER, FLAT 3/16" USS S/S	140011	1
	*PLATE, REAR SQ (33" SQUEEGEE)	230669.BK	1	40.	SCREW, SHTMTL #6 X 1/2" PNPPL BZC	140825	1
	*PLATE, REAR SQ (39" SQUEEGEE)	230685.BK	1	41.	HOSE, VACUUM 1-1/2" X 43"	160630	1
16.	*BLADE, SERRATED (27" SQUEEGEE)	240299	2	42.	**BATTERY, DEEP CYCLE 12-VOLT 105 AMP	18275	2
	*BLADE, SERRATED (33" SQUEEGEE)	240295	2		**BATTERY, DEEP CYCLE 12-VOLT 130 AMP	130869	2
	*BLADE, SERRATED (39" SQUEEGEE)	240293	2	43.	CABLE, BATTERY #6 BLK X 15" 5/16" X 3/8"	130364	1
17.	*SPACER, BLADE (27" SQUEEGEE)	230483	2	44.	**CHARGER, 15AMP, AUTO	130948	1
	*SPACER, BLADE (33" SQUEEGEE)	230767	2	45.	SCREW, MCH 8-32 X 3/8" THP S/S	140801	4
	*SPACER, BLADE (39" SQUEEGEE)	230768	2	46.	WASHER, INT LOCK TOOTH #8 S/S	140023	4
18.	*BLADE, (27" SQUEEGEE)	240298	2	47.	LATCH, RUBBER W/ KEEPER	140932	2
	*BLADE, (33" SQUEEGEE)	240294	2	48.	CASTER, SWIVEL 4"	103065	2
	*BLADE, (39" SQUEEGEE)	240292	2	49.	WASHER, SPLIT LOCK 5/16" S/S	140015	8
19.	*GASKET, SQUEEGEE	100150	1	50.	SCREW, HXHDCP 5/16 - 18 X 5/8" S/S	140226	4
20.	*SCREW, MC 5/16-18 X 1-1/2" TPHL SS	140799	2	51.	SCREW, HXHDCP 1/4-20 X 1/2" S/S	140553	4
21.	*WHEEL, 3" BLACK W/ BUSHINGS	103055	2	52.	WASHER, LOCK 1/4" S/S	140016	4
22.	*CHANNEL, (27" SQUEEGEE)	230727.BK	1	53.	BRACKET, AXLE OFFSET	230746	2
	*CHANNEL, (33" SQUEEGEE)	230682.BK	1	54.	AXLE, 1/2 X 21-1/8" ZINC	230953	1
	*CHANNEL, (39" SQUEEGEE)	230692.BK	1	55.	WASHER, FLAT	140063	2
23.	*PLATE, FRONT (27" SQUEEGEE)	230723.BK	1	56.	WASHER, FLT .5/510 X 1.25 X .0655	140045	2
	*PLATE, FRONT (33" SQUEEGEE)	230670.BK	1	57.	WHEEL, 12" X 1.75 WHT/GRY THD	103009	2
	*PLATE, FRONT (39" SQUEEGEE)	230686.BK	1	58.	WASHER, FENDER 1/4" X 1" S/S	140003	2
24.	*SCREW, HXHDCP 5/16-18 X 1-1/4" SS	140221	2	59.	WASHER, LOCK	15752.14	2
				60.	SCREW, MCH 1/4-20 X 1/2" TSPHL S/S	140885	2

\* Optional Squeegee Kit parts list (sold separately) \*\* Sold separately

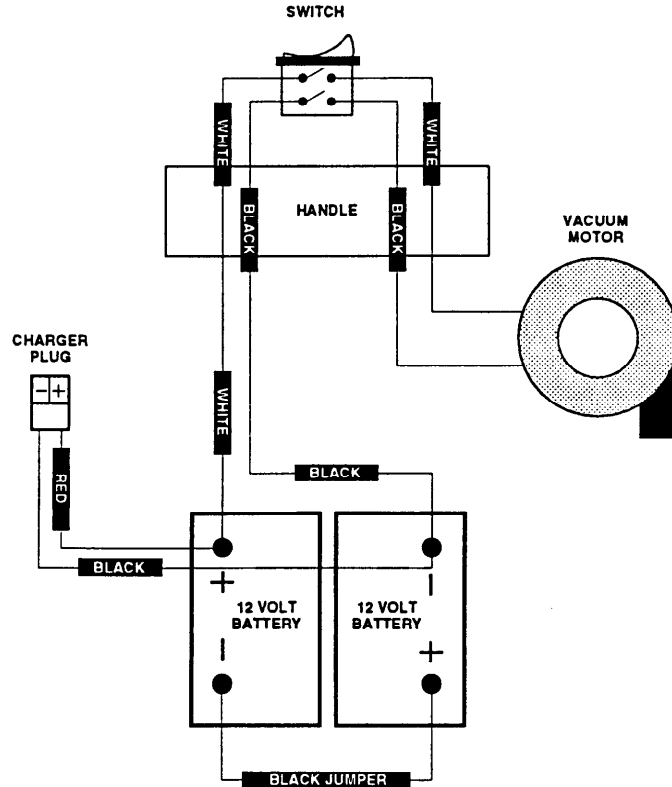
# UPPER HOUSING PARTS DIAGRAM



## UPPER HOUSING PARTS LIST

ITEM #	DESCRIPTION	PART #	QTY.	ITEM #	DESCRIPTION	PART #	QTY.
1.	SCREW, MCH 8-32 X 3/8" THD S/S	140801	4	33.	VAC MOTOR MOUNT RM-BK ACU MTS	100380	1
2.	WASHER, INT LOCK TOOTH #8 S/S	140023	4	34.	GASKET, VAC MOTOR	100038	1
3.	LATCH, RUBBER W/ KEEPER	140932	2	35.	MOTOR, VACUUM 24VDC 3-STAGE	130397	1
4.	COVER, 16 GALLON	100289	1	36.	GASKET, VAC MOTOR	100143	1
5.	BRACKET, AIR DEFLECTOR S/S	230497	1	37.	BRACKET, VAC MOUNT	230522	1
6.	WASHER, EXT LCT TOOTH #10-ZINC	140031	2	38.	SCREW, 10" X 5/8" PNP HL TYP 25 S/S	140340	4
7.	SCREW, MCH 10-24 X 3/8" TRSPHL S/S	140837	2	39.	COVER PLATE, VACUUM MOTOR	230980.BK	1
8.	GASKET, 16 GALLON COVER	100097	1	40.	GASKET, VACUUM MOTOR END	100831	1
9.	SCREW, MCH 1/4-20 X 1/2" TSPHL S/S	140885	20	41.	SCREW, HXHDCAP 3/8-16 X 3/4" S/S	140201	2
10.	WASHER, LOCK #045-1214	15752.14	29	42.	HINGE, BATTERY HOUSING	230951	1
11.	WASHER, FLAT 1/4-20 USS S/S BK	140000	14	43.	HOSE, VACUUM 1-1/2" X 10'	160481	1
12.	HINGE, COVER 16 GALLON	230318	1	44.	CLAMP, HOSE 3/4" TO 1-3/4" S/S	140307	1
13.	SCREW, MCH 1/4-20 X 5/8" TRSPH S/S	140824	6	45.	HOSE, DRAIN 20" (160418 MTS)	160467	1
14.	WASHER, FENDER 1/4" X 1" S/S	140003	2	46.	SLEEVE, DRAIN HOSE	140921	1
15.	HANDLE HOUSING	101298	1	47.	CLAMP, EAR 1-9/16" S/S	140317	2
16.	SWITCH	19417	1	48.	PLUG, DRAIN HOSE	140955	1
17.	GRIP, HANDLE BLK	200815	2	49.	WASHER, FENDER 3/8" ID X 1-1/2" OD S/S	140056	1
18.	BRACKET, DRAIN HOSE HOLDER	230696.BK	1	50.	STRAPE, RUBBER	230882	1
19.	SCREW, SHTMTL #6 X 1/2" PNP HL BZC	140825	2	51.	KNOB, DRAIN HOSE W/ 3/8-16 THD	230831	1
20.	SCREW, HXHDCP 3/8-16 X 1-1/2" S/S	140231	4	52.	TANK, RECOVERY 16 GALLON (MTS)	100425	1
21.	WASHER, SPLIT LOCK 3/8 S/S	140017	6	53.	PLATE, LATCH	230949	1
22.	WASHER, FLAT 3/8" USS S/S	140028	6	54.	WASHER, FLAT 5/16" USS S/S	140027	4
23.	BUSHING, STRAIN RELIEF BLK	130110	2	55.	WASHER, SPLIT LOCK 5/16" S/S	140015	4
24.	WIRE ASSEMBLY 14/2 X 26"	130384	1	56.	SCREW, HXHD 5/16-18 X 5/8" S/S	140226	4
25.	WIRE ASSEMBLY 14/2 X 45"	130385	1	57.	BAG, CLOTH FILTER	900105	1
26.	FLOAT, AUTOMATIC SHUT-OFF	180613	1	58.	BAG, PAGER (PKG OF 10)	900102	1
27.	VAC TUBE ELBOW RE-BK (MTS)	100381	1	59.	LATCH, RUBBER W/ KEEPER	140932	2
28.	GASKET, VAC TUBE ELBOW	100096	1	60.	SCREW, MCH 8-32 X 5/8" PNP HL S/S	140802	4
29.	ASM PVC ELBOW WET-N-DRY	700435	1	61.	WASHER, FLAT 3/16" USS S/S	140011	4
30.	CLAMP, HOSE 1-5/16" TO 2-1/4" S/S	140308	2	62.	NUT, LOCK 8-32 W/ NYL INST-ZINC	28990	4
31.	HOSE, VACUUM 2" X 13" WHT	160482	1	63.	BRACKET, SUPPORT	230482.BK	1
32.	SCREW, HX 1/4-20 X 4-1/2" (WD16120)	140199	4				

## BATTERY TYPHOON WIRING



---

---

## TROUBLE-SHOOTING GUIDE

PROBLEM	CAUSE	SOLUTION
<b>Machine will not run.</b>	1. Batteries are not charged.	1. Charge batteries as instructed. See Charging batteries on page 1.
	2. Loose battery cable connections.	2. Check cable connections. See figure 1 for proper battery connection.
	3. Electrolyte level is low.	3. Fill to proper level and charge.
	4. Cables are corroded.	4. Clean and lubricate.
	5. Cables are worn.	5. Replace worn cables.
	6. Batteries are defective.	6. Replace batteries.
	7. Switch is faulty.	7. Replace switch.
	8. Loose or broken wiring.	8. Check wiring with <b>WIRING DIAGRAM</b> . Repair any loose or broken wires. Also inspect the power cord.
	9. Vacuum motor is faulty.	9. Replace the vacuum motor.
<b>Machine is fully charged, but has little or no suction.</b>	1. Hose is clogged or holes in hose.	1. Clear hose or replace it.
	2. Intake elbow is clogged.	2. Remove hose from the elbow and check for clogging material.
	3. Drain hose knob is loose or open.	3. Tighten the drain knob.
	4. Lid is not securely latched.	4. Latch both latches down securely.
	5. Worn gasket which is leaking air.	5. Inspect all gaskets, and replace if necessary.

**NOBLES INDUSTRIES**  
12875 RANSOM STREET  
HOLLAND MI 49424

A  COMPANY

1-800-739-9359  
616-786-2330  
FAX: 1-800-678-4240  
CUSTOMER SERVICE: 1-800-365-6625