

NOBLES®

Typhoon

Wet/Dry Vacuum

**Model Nos.: WD12107P, WD1292,
WD16107P, WD16120, WD1692,
OSWD1292, OSWD16112 & OSWD1694P**

**Operator Manual
& Parts Lists**



**PDF Version of Manual by:
Michigan Company Inc.
2011 N. High St.
Lansing, Mich. 48906
(517) 484-9312
<http://www.Michco.Com>
Email: Shop@Michco.Com
(c) 1998 by Michco & Others.**



**NOBLES INDUSTRIES, INC.
12875 RANSOM STREET
HOLLAND MI 49424 U.S.A.**

A Tennant Company

**1-800-522-7839
616-786-2330
FAX: 1-800-678-4240
CUSTOMER SERVICE: 1-800-365-6625**

**173159
Rev. 03 (06-97)**

IMPORTANT SAFETY INSTRUCTIONS

When using an electrical appliance, basic precautions should always be followed, including the following:

READ ALL INSTRUCTIONS BEFORE USING (THIS APPLIANCE)

⚠ WARNING -To reduce the risk of fire, electric shock, or injury:

1. Do not leave appliance when plugged in. Unplug from outlet when not in use and before servicing.
2. Use indoors only. Always install float before any wet pick-up operation.
3. Do not allow to be used as a toy. Close attention is necessary when used by or near children.
4. Use only as described in this manual. Use only manufacturer's recommended attachments.
5. Do not use with damaged cord or plug. If appliance is not working as it should, has been dropped, damaged, left outdoors, or dropped into water, return it to a service center.
6. Do not pull or carry by cord, use cord as a handle, close a door on cord, or pull cord around sharp edges or corners. Do not run appliance over cord. Keep cord away from heated surfaces.
7. Do not unplug by pulling on cord. To unplug, grasp the plug, not the cord.
8. Do not handle plug or appliance with wet hands.
9. Do not put any object into openings. Do not use with any opening blocked; keep free of dust, lint, hair, and anything that may reduce air flow.
10. Keep hair, loose clothing, fingers, and all parts of body away from openings and moving parts.
11. Turn off all controls before unplugging.
12. Use extra care when cleaning on stairs.
13. Do not use to pick up flammable or combustible liquids such as gasoline or use in areas where they may be present.
14. Do not pick up anything that is burning or smoking, such as cigarettes, matches or hot ashes.

INSTRUCTIONS DE SÉCURITÉ

LIRE TOUTES LES INSTRUCTIONS AVANT DE FAIRE FONCTIONNER (CET APPAREIL)

⚠ ADVERTISSEMENT - Pour réduire les risques d'incendie, de choc électrique ou de blessure:

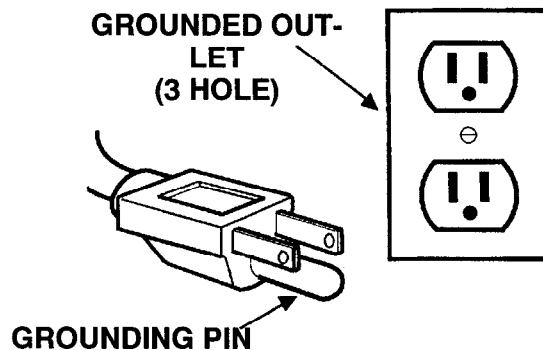
1. Ne pas laisser l'appareil sans surveillance lorsqu'il est branché. Débrancher lorsque l'appareil n'est pas utilisé et avant l'entretien.
2. Utiliser à l'intérieur seulement. Installer un flotteur avant d'aspirer des matières humides.
3. Ne pas permettre aux enfants de jouer avec l'appareil. Une attention particulière est nécessaire lorsque l'appareil est utilisé par des enfants ou à proximité de ces derniers.
4. Utiliser conformément à cette notice avec les accessoires recommandés par le fabricant.
5. Ne pas utiliser si le cordon ou la fiche est endommagé. Retourner l'appareil à un atelier de réparation s'il ne fonctionne pas bien, s'il est tombé ou s'il a été endommagé, oublié à l'extérieur ou immergé.
6. Ne pas tirer, soulever ou traîner l'appareil par le cordon. Ne pas utiliser le cordon comme une poignée, le coincer dans l'embrasure d'une porte ou l'appuyer contre des arêtes vives ou des coins. Ne pas faire rouler l'appareil sur le cordon. Garder le cordon à l'écart des surfaces chaudes.
7. Ne pas débrancher en tirant sur le cordon. Tirer plutôt la fiche.
8. Ne pas toucher la fiche ou l'appareil lorsque vos mains sont humides.
9. N'insérer aucun objet dans les ouvertures. Ne pas utiliser l'appareil lorsqu'une ouverture est bloquée. S'assurer que de la poussière, de la peluche, des cheveux ou d'autres matières ne réduisent pas le débit d'air.
10. Maintenir les cheveux, les vêtements amples, les doigts et toutes les parties du corps à l'écart des ouvertures et des pièces mobiles.
11. Mettre toutes les commandes à la position ARRÊT avant de débrancher l'appareil.
12. User de prudence lors du nettoyage des escaliers.
13. Ne pas aspirer des liquides inflammables ou combustibles, comme de l'essence, et ne pas faire fonctionner dans des endroits où peuvent se trouver de tels liquides.
14. Ne pas aspirer de matières en combustion ou qui dégagent de la fumée, comme des cigarettes, des allumettes ou des dendres chaudes.

GROUNDING INSTRUCTIONS

This appliance must be grounded. If it should malfunction or breakdown, grounding provides a path of least resistance for electric current to reduce the risk of electric shock. This appliance is equipped with a cord having an equipment-grounding conductor and grounding plug. The plug must be plugged into an appropriate outlet that is properly installed and grounded in accordance with all local codes and ordinances.

⚠ WARNING – Improper connection of the equipment-grounding conductor can result in a risk of electric shock. Check with a qualified electrician or service person if you are in doubt as to whether the outlet is properly grounded. Do not modify the plug provided with the appliance – if it will not fit the outlet, have a proper outlet installed by a qualified electrician.

This appliance is for use on a nominal 120-volt circuit and has a grounding attachment plug that looks like the plug illustrated in sketch. Make sure that the appliance is connected to an outlet having the same configuration as the plug. No adaptor should be used with this appliance.



INSTRUCTIONS VISANT LA MISE 'A LA TERRE

Cet appareil doit être mis à la terre. En cas de défaillance ou de panne éventuelles, la mise à la terre fournit au courant un chemin de moindre résistance qui réduit le risque de choc électrique. Cet appareil est pourvu d'un cordon muni d'un conducteur de terre et d'une fiche avec broche de terre. La fiche doit être branchée dans une prise appropriée correctement installée et mise à la terre conformément aux règlements et ordonnances municipaux.

AVERTISSEMENT. Un conducteur de terre mal raccordé peut entraîner un risque de choc électrique. Consulter un électricien ou un technicien d'entretien qualifié si vous n'êtes pas certain que la prise est correctement mise à la terre. Ne pas modifier la fiche fournie avec l'appareil – si elle ne peut être insérée dans la prise, faire installer une prise adéquate par un électricien qualifié.

Cet appareil est destiné à un circuit de 120 v et est muni d'une fiche de mise à la terre semblable à celle illustrée par le croquis. S'assurer que l'appareil est branché à une prise de courant ayant la même configuration que la fiche. Aucun adaptateur ne devrait être utilisé avec cet appareil.

This manual is furnished with each new model. It provides necessary operation, machine maintenance instructions and an illustrated parts list. **Read this manual completely and understand the machine before operating or servicing.**

Use the illustrated Parts Lists to order parts. Before ordering parts or supplies, be sure to have your machine model number and serial number handy. Parts and supplies may be ordered by phone or mail from any authorized parts and service center, distributor or from any of the manufacturer's subsidiaries.

This machine will provide excellent service. However, the best results will be obtained at minimum costs if:

- The machine is operated with reasonable care.
- The machine is maintained regularly - per the machine care instructions provided.
- The machine is maintained with manufacturer supplied or equivalent parts.

MACHINE DATA

Please fill out at time of installation for future reference.

Model No.- _____

Install. Date - _____

Serial No.- _____


Copyright © 1997 Nobles, Printed in U.S.A.


SAFETY PRECAUTIONS

This machine is intended for commercial use. It is suited for wet/dry vacuuming in an indoor environment and is not constructed for any other use. Use only recommended accessory tools and cleaning solutions.

All operators must read, understand and exercise the following Important Safety Instructions.

ATTENTION: The following safety alert symbol is used throughout this manual as indicated in their description:


 **WARNING: It warns the operator of hazards and unsafe practices which could result in severe personal injury or death.**


 **CAUTION: It warns the operator of unsafe practices which could cause damage to the equipment.**

The following information signals potentially dangerous conditions to the operator or equipment:

 **FOR SAFETY:**

1. **DO NOT OPERATE MACHINE:**
 - Unless operator manual is completely read and used as described.
 - If power cord or plug is damaged.
 - If machine is not in proper operating condition.
 - If power cord is not properly grounded.
2. **WHEN OPERATING MACHINE:**
 - Do not pick up flammable or combustible liquids such as gasoline.
 - Do not pick up hot ashes or cigarette butts.
 - Avoid explosive vapors or dust in the air.
 - Do not run machine over power cord. A hazard may occur.
 - Do not pull machine by power cord or pull cord around sharp edges or corners.
 - Do not handle plug with wet hands.
3. **BEFORE LEAVING OR SERVICING MACHINE:**
 - Make sure machine is turned off and power cord is unplugged from wall outlet.

 **WARNING: Hazardous Voltage. Shock or electrocution can result. Always unplug machine before servicing machine.**

 **WARNING: The use of supplies other than those recommended by manufacturer may cause damage.**

GENERAL SERVICE POLICY

Whenever ordering parts or requesting any type of service, specify:

1. The model of the machine.
2. The serial number of the machine.
3. The part number.
4. The part description.

All parts returned to the factory must arrive prepaid with a Return Authorization Number. Always include your name, phone number and address.

OPERATION

MACHINE SETUP

MACHINE CONTENTS

- 1 - 43" (109cm) vacuum hose - used with squeegee kit
- 1 - 10' (3m) vacuum hose - used with accessory tools
- 1 - Cloth bag
- 1 - Paper bag
- 1 - 50' (15m) power cord

NOTE: Squeegee Kit and Accessory Tools are not included with machine. They must be ordered separately.

HANDLE INSTALLATION

1. Remove handle from ship position. Also remove upper handle mounting screws and washers from machine. (Figure 1)

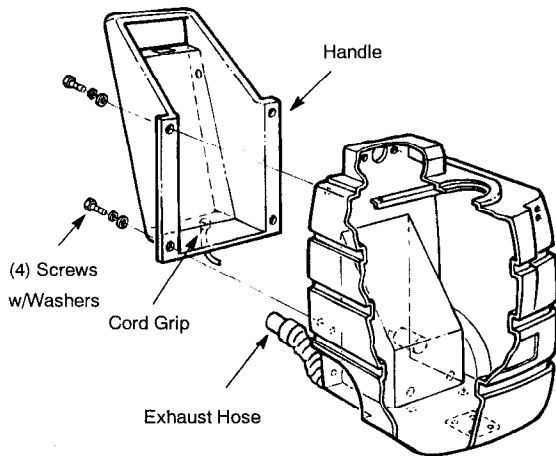


FIG. 1.

2. Realign handle as shown and replace screws and washers.
3. Push excess cord slack up into cord grip. Tighten cord grip with 5/16" wrench until cord is secure. DO NOT overtighten.
4. Connect exhaust hose to bottom to handle housing.

NOTE: Screws and washers are packaged separately for 12 gallon models.

OPTIONAL ACCESSORIES

See Optional Parts page 15.

Squeegee Kits:

- #190108 27" Squeegee Kit
- #190972 33" Squeegee Kit
- #190958 39" Squeegee Kit

#16593-Wet/Dry Tool Kit

Includes: 16" Floor & Rug Tool w/ Adjustable Brush, 2-Bend Aluminum Wand, 4" Upholstery Tool, Crevice Tool (plastic), Round Dusting Brush, Push/Pull Squeegee.

#190142-Contractor Tool Kit

Includes: Two piece wand, 14" Floor Tool, 14" Squeegee Tool.

#190928-Wet Pick-up Tool Kit

Includes: 10 foot Vinyl Hose, Double Bend Aluminum Wand, 14" Forward/Reverse Squeegee.

#16590-Dry Tool Kit

Includes: Floor and Carpet Tool w/Adjustable Brush, Double Bend Aluminum Wand, Upholstery Tool, Crevice Tool, Dusting Brush.

ATTACHING SQUEEGEE KIT

NOTE: The following instructions refer to Item No. in Squeegee Group Diagram on page 14. If squeegee mounting bracket is already installed, start with step 7.

1. Empty recovery tank.
2. Remove vacuum bags.
3. Tip machine on back.
4. Remove (2) bolts #3 and washers located at bottom of machine.
5. Install squeegee mounting bracket #6 (supplied w/ kit). Use bolts and washers removed.
6. Insert spacer #10 through hole in pedal #1 as shown. Position pedal between two holes in bracket #2 and slide hex head screw #9 through bracket and pedal. Use washer #11 and nut #12 and tighten.
7. Stand vacuum upright and position over assembled parts. (Assembled parts should be positioned between front casters.)

8. Slide pedal #1 between two mounting arms on back of vacuum. Align and insert slide pin #13 through arms and slot in pedal.
9. Fasten bracket #2 to squeegee mounting bracket #5. Use (2) slide pins #13.
10. Attach squeegee assembly to bracket #2. Use (2) thumb screws #8.
11. Connect 43" vacuum hose to squeegee and vacuum lid.

MACHINE OPERATION

1. Connect 50' power cord to machine pigtail cord.
2. Plug power cord into a grounded (earthed) outlet. Figure 2

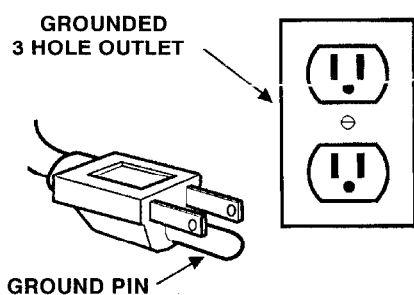


FIG. 2.

⚠ WARNING: To avoid serious personal injury: Plug into grounded outlets only. Do not use an adapter or remove ground pin on plug. Do not use if cord is damaged. Disconnect power before servicing. Electrical service must be performed by an authorized service station or electrician.

WET VACUUMING

⚠ WARNING: DO NOT vacuum up flammable liquids. Flammable liquids can cause an explosion or fire.

NOTE: Be certain that shut-off float screen is in place before operating. Float screen stops water intake when recovery tank becomes full.

⚠ ATTENTION: If you are vacuuming up liquids that may cause foaming inside recovery tank, use a quality defoamer chemical to eliminate the foam. Foam will NOT shut off automatic float, and will damage vacuum motor. Damage due to foam is NOT covered by warranty.

Squeegee Wet Vacuuming:

1. Remove vacuum bag from recovery tank.
2. Lower squeegee to floor, lightly kick pedal forward to release from transport position.
3. Turn on switch and begin vacuuming. Squeegee vacuums up water in both forward and reverse.
4. To raise squeegee, step downward on the pedal until pedal engages in transport position.

Accessory Tool Wet Vacuuming:

1. Remove vacuum bag from recovery tank.
2. Activate switch and operate tools as normal.

DRY VACUUMING

NOTE: Always check to ensure a vacuum bag is installed before operating. Replace bag if full or damaged.

1. Place cloth filter bag into recovery tank and make sure that edge seals properly against rim of tank.

NOTE: For easy debris disposal and to increase the life of cloth filter bag, place a paper vacuum bag inside cloth bag and tuck top of paper bag around outside rim of cloth bag.

⚠ CAUTION: Never use paper bag without cloth filter bag in place. Do not reuse paper bags, always dispose. Always make sure that bag is in place before dry vacuuming. Dry vacuuming without bag in place will damage vacuum motor. This damage is NOT covered by warranty.

2. Close lid and fasten latches.
3. Activate switch and operate accessory tools as normal.

NOTE: Squeegee can be used to pickup fine particles (dust, sand, sawdust etc...). Squeegee not recommended for ordinary pickup.

4. Check bag periodically for fullness. Empty bag at 3/4 full for best suction performance.

DRAINING RECOVERY TANK

If draining into a floor drain, follow Floor Draining instructions or if your machine is equipped with the pump-out system feature you can drain recovery tank into an elevated drain.

OPERATION

FLOOR DRAINING

1. Push machine to nearest floor drain.
2. Remove drain hose from holder and twist off drain hose knob and drain. Raise hose to stop flow of water.
3. When recovery tank is empty, open lid and rinse tank with clean water to prevent odor buildup.
4. Replace drain hose knob and return to holder.

IMPORTANT: Be certain drain hose knob is on snug to prevent suction loss.

ELEVATED DRAINING

NOTE: Machine must be equipped with pump-out feature.

1. Disconnect end of vacuum hose from attachment tool or from squeegee attachment.
2. Disconnect exhaust hose and attach accessory tool vacuum hose Figure 3.

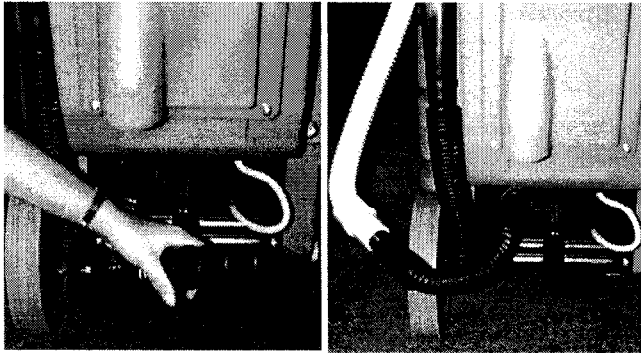


FIG. 3.

3. Hang drain hose elbow over edge of drain sink. Figure 4.

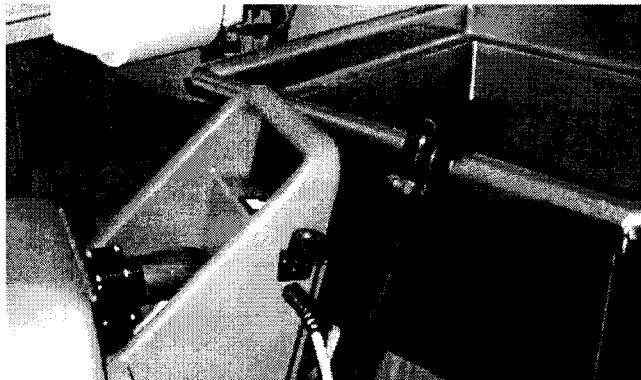


FIG. 4.

4. Pull up on drain lever and turn on switch. Figure 5

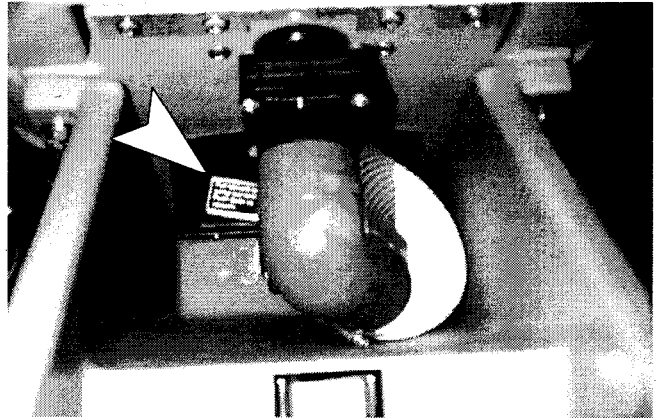


FIG. 5.

5. Vacuum motor will now pressurize tank and force water up into drain sink.

MAINTENANCE

⚠ WARNING: For your safety unplug cord before performing any type of service. Repairs must be performed by authorized personnel.

To keep machine in good working condition, simply follow machines daily, weekly and monthly maintenance procedures.

1. Drain and rinse out recovery tank after wet vacuuming.
2. Remove and clean shut-off float screen from recovery tank.
3. Clean squeegee blades with a cloth. Replace blades when they become worn.
4. Check bag for fullness, empty bag at 3/4 full.
5. Wipe machine housing with a nonabrasive, non-solvent cleaner.
6. Check cords and cord grips for damage, if worn or damaged replace immediately. Coil cord neatly.

⚠ CAUTION: Always have shutoff float screen in place before operating. During wet operation, the shutoff float protects the vacuum motor from water. During dry vacuuming, the float screen can provide limited protection for a faulty filter bag.

7. Inspect vacuum hose regularly for holes, loose cuff or clogged debris.
8. To maintain maximum performance, wash cloth filter bag by hand with a mild detergent. Let bag dry thoroughly before replacing.
9. Lubricate axle grease fittings with a water resistant grease monthly.

10. Lubricate front swivel casters with a silicone spray monthly.
11. Check machine for loose nuts and bolts.
12. Every 250 hours of operation, check motor for carbon brush wear, replace brushes if worn to 3/8" (1cm) or less.

2. Empty or replace vacuum bag.
3. Raise or remove squeegee assembly.
4. Store machine in a dry area in the upright position.

⚠ CAUTION: Do not store outdoors and avoid getting wet. Do not allow machine to freeze.

⚠ CAUTION: If storing machine in freezing temperatures, be certain to drain machine of all water. Damage due to freezing is not covered by warranty.

STORING MACHINE

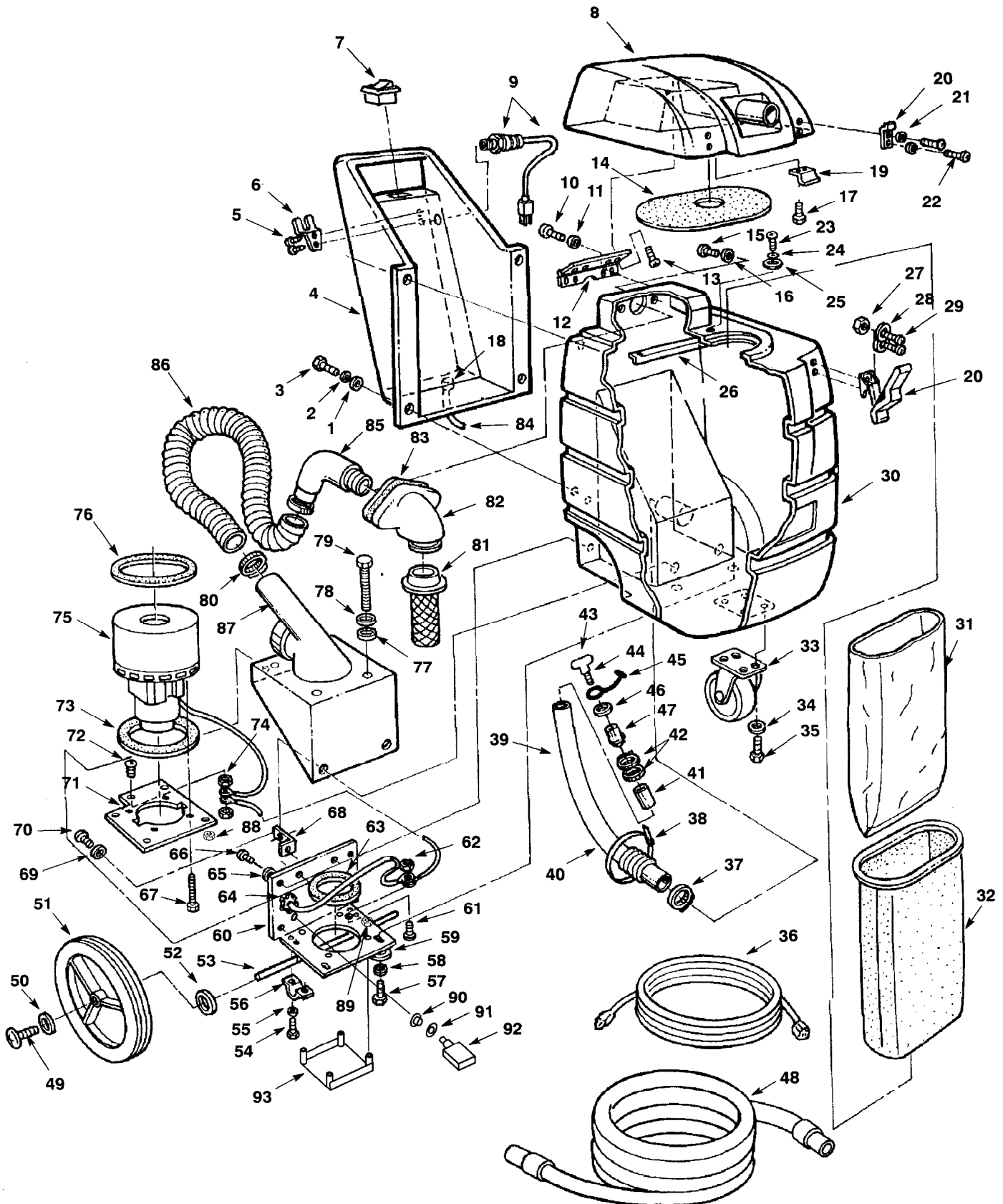
Before storing the machine perform the following instructions below:

1. Empty and rinse the recovery tank and accessory tools.

TROUBLE SHOOTING

PROBLEM	CAUSE	SOLUTION
Machine does not run.	ON/OFF switch is OFF.	Turn switch to ON.
	Vacuum not plugged into wall outlet.	Plug power cord to wall outlet.
	Faulty ON/OFF switch.	Replace switch.
	Faulty wiring.	Contact Service Center.
	Faulty power cord.	Contact Service Center.
	Building circuit breaker tripped.	Reset circuit breaker and change to a different power circuit.
	Vacuum motor over heated.	Find air obstruction. Let motor cool for 20 minutes.
Machine has little or no suction.	Faulty vacuum motor.	Contact Service Center.
	Hose is clogged.	Clear hose.
	Holes in hose.	Replace hose.
	Intake elbow is clogged.	Remove hose from elbow and remove clogged material.
	Drain hose knob is loose or open.	Tighten drain knob.
	Lid is not securely latched.	Latch both latches down securely.
	Worn gasket which is leaking air.	Inspect all gaskets, and replace if necessary.
Machine with Pump-Out feature:	Recovery tank or bag is full.	Empty tank or bag.
	Drain valve is open.	Close drain valve.
	Drain hose elbow is loose or off plug.	Connect elbow to plug securely.
Squeegee has poor pickup.	Debris is wedged under squeegee blade.	Wipe off squeegee blades.
	Squeegee blades are worn.	Replace squeegee blades.
	Squeegee blade is loose.	Tighten thumbscrews.
	Vacuum hose connection on squeegee mount is loose.	Push vacuum hose onto squeegee mount securely.

MAIN CHASSIS GROUP

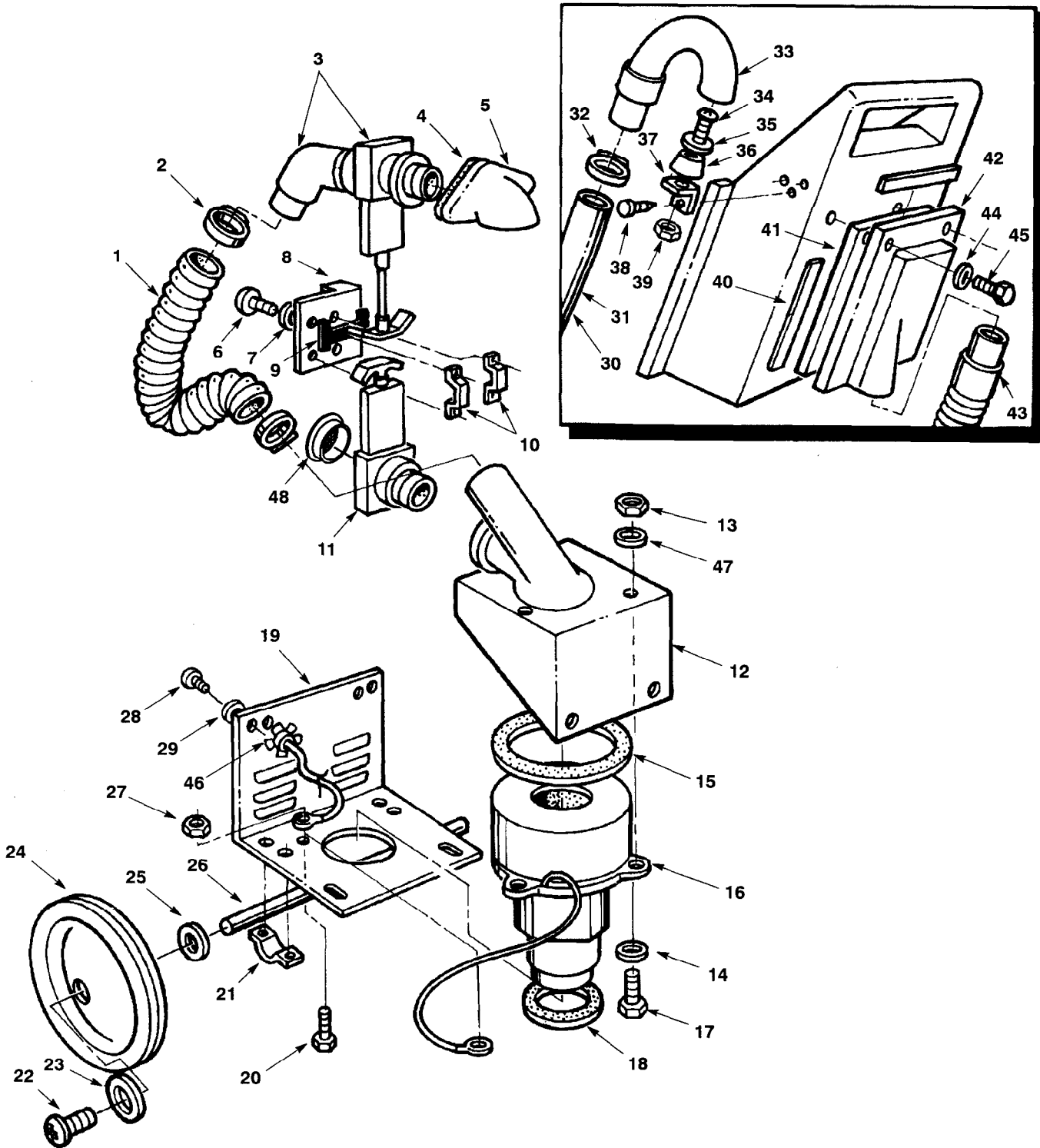


STANDARD PARTS

MAIN CHASSIS GROUP

Item #	Part No.	Description	Qty.	Item #	Part No.	Description	Qty.
1.	140028	WASHER, FLAT	4	55.	140016	WASHER, LOCK	4
2.	140017	WASHER, LOCK	4	56.	230746	BRACKET, AXLE	2
3.	140231	SCREW, 3/8-16X1 1/2	4	57.	140201	SCREW, 3/8-16X3/4	2
4.	100401	HANDLE	1	58.	140017	WASHER, LOCK	2
5.	140825	SCREW, #6X1/2	2	59.	140028	WASHER, FLAT	2
6.	230696.BK	HANGER, DRAIN HOSE	1	60.	230350.BK	PLATE, COVER (12 GAL. MODEL)	1
7.	19417	SWITCH	1		231033.BK	PLATE, COVER (12 GAL. W/PUMPOUT)	1
8.	602701	COVER, (12 GAL. MODEL)	1		230486.BK	PLATE, COVER (16 GAL. MODEL)	1
	602702	COVER, (16 GAL. MODEL)	1		230331.BK	PLATE, COVER (16 GAL. W/PUMPOUT)	1
9.	130266	ASM., CORD 16/3X18" (120V)	1	61.	140900	SCREW, 10-24X3/4	1
	600324	CORD, 3X1.5MM (230V)	1	62.	140519	NUT, KEP	3
	130166	GRIP, CORD (230V)	1	63.	100095	GASKET, VAC MOTOR	1
10.	140195	SCREW, 1/4-20X1/2	4	64.	140504	NUT, CONDUIT	1
11.	140000	WASHER, FLAT	4	65.	140000	WASHER, FLAT	5-6
12.	230458	HINGE, COVER (12 GAL. MODEL)	1	66.	140195	SCREW, 1/4-20X1/2	5-6
	230318	HINGE, COVER (16 GAL. MODEL)	1	67.	140340	SCREW, #10X5/8	4
13.	140195	SCREW, 1/4-20X1/2	4	68.	230496.BK	SUPPORT, DRAIN HOSE	1
14.	100098	GASKET, COVER (12 GAL. MODEL)	1	69.	578244000	WASHER, LOCK	2
	100097	GASKET, COVER (16 GAL. MODEL)	1	70.	140824	SCREW, 1/4-20X5/8	2
15.	140824	SCREW, 1/4-20X5/8	2	71.	230522	BRACKET, MOTOR MOUNT	1
16.	578244000	WASHER, LOCK	2	72.	140900	SCREW, 10-24X3/4	1
17.	140197	SCREW, 10-24X3/8	2	73.	100143	GASKET, MOTOR	1
18.	130110	BUSHING, STRAIN RELIEF	1	74.	140519	NUT, KEP	3
19.	230497	BRACKET, AIR DEFLECTOR	1	75.	130406	MOTOR, VACUUM 120V (WD1292/1692)	1
20.	140932	LATCH, RUBBER & KEEPER	2		190155	BRUSH, CARBON	1
	140953	LATCH, CHROME (PUMP-OUT MODEL)	2		130427	MOTOR, VACUUM 230V (WD1292/1692)	1
	230512	KEEPER (PUMP-OUT MODEL)	2		190159	BRUSH, CARBON	1
21.	140023	WASHER, LOCK	4		130417	MOTOR, VACUUM 120V (WD16120)	1
22.	140801	SCREW, 8-32X3/8	4		600272	BRUSH, CARBON	1
23.	140824	SCREW, 1/4-20X5/8 (16 GAL. MODEL)	2		130422	MOTOR, VACUUM 230V (WD16112)	1
24.	578244000	WASHER, LOCK (16 GAL. MODEL)	2		190159	BRUSH, CARBON	1
25.	140003	WASHER, FENDER (16 GAL. MODEL)	2		130415	MOTOR, VACUUM 120V (WD16107P/12107)	1
26.	230482.BK	BRACKET, SUPPORT (16 GAL. MODEL)	1		190161	BRUSH, CARBON	1
27.	28990	NUT, LOCK	4		130403	MOTOR, VACUUM 230V (WD16107P/12107)	1
28.	140011	WASHER, FLAT	4		190158	BRUSH, CARBON	1
29.	140802	SCREW, 8-32X5/8	4	76.	100038	GASKET, MOTOR	1
30.	100441	TANK (12 GAL. MODEL)	1	77.	140003	WASHER, FENDER	4
	101065	TANK (12 GAL. MODEL W/PUMPOUT)	1	78.	578244000	WASHER, LOCK	4
	101084	TANK (12 GAL. W/PUMPOUT GENERIC)	1	79.	25157.32	SCREW, 1/4-20X4 (WD1292/1692)	4
	100425	TANK (16 GAL. MODEL)	1		140199	SCREW, 1/4-20X4 1/2 (WD16120)	4
	100424	TANK (16 GAL. MODEL W/PUMPOUT)	1	80.	140308	CLAMP	2
	101086	TANK (16 GAL. W/PUMPOUT GENERIC)	1	81.	180613	FLOAT, SCREEN SHUT-OFF	1
31.	900102	BAG, PAPER	1	82.	100381	ELBOW, VACUUM TUBE	1
32.	900104	BAG, CLOTH (12 GAL. MODEL)	1	83.	100096	GASKET, VACUUM TUBE	1
	900105	BAG, CLOTH (16 GAL. MODEL)	1	84.	130267	CORD HANDLE 16/3X30"	1
33.	103065	CASTER, SWIVEL	1	85.	700435	ELBOW	1
34.	140015	WASHER, LOCK	4	86.	160482	HOSE, VACUUM	1
35.	140226	SCREW, 5/16-18X5/8	4	87.	100380	MOUNT, VACUUM MOTOR	1
36.	130250	CORD, 16/3X50'	1		100302	MOUNT, VAC. MOTOR (PUMP-OUT MODEL)	1
37.	140307	CLAMP	1	88.	140501	NUT, LOCK	4
38.	130041	WIRE TIE	1	89.	12481	NUT	4
▽39.	701058	ASM., DRAIN HOSE	1	90.	130164	PLUG, DOME (220V)	1
▲40.	160457	HOSE, DRAIN	1	91.	140022	WASHER, LOCK (120V)	1
▲41.	140921	SLEEVE	1	92.	611110000	BREAKER, CIRCUIT 10A (WD1292/1692)	1
▲42.	140072	CLAMP	2		130670	BREAKER, CIRCUIT 12A (WD16107P/16120P)	1
▽▲43.	701061	ASM., PLUG	1	93.	602674	GUARD, VACUUM MOTOR (WD1292/1692)	1
▲44.	230831	KNOB	1				
▲45.	230882	STRAP	1				
▲46.	140056	WASHER, FENDER	1				
▲47.	140955	PLUG	1				
48.	160481	HOSE, VACUUM	1				
49.	140195	SCREW, 1/4-20X1/2	2				
50.	140003	WASHER, FENDER	2				
51.	103036	WHEEL (12 GAL. MODEL)	2				
	103060	WHEEL (16 GAL. MODEL)	2				
52.	140045	WASHER, FLAT	2				
53.	230457	AXLE (12 GAL. MODEL)	1				
	230317	AXLE (16 GAL. MODEL)	1				
54.	140553	SCREW, 1/4-20X1/2	4				

PUMP-OUT GROUP



PUMP-OUT GROUP

Item #	Part No.	Description	Qty.
1.	160482	HOSE, VACUUM	1
2.	140308	CLAMP	2
3.	700461	VALVE, GATE	1
4.	100096	GASKET, VAC TUBE	1
5.	100381	ELBOW, VAC TUBE	1
6.	140837	SCREW, 10-24X3/8	4
7.	140018	WASHER, LOCK	4
8.	230334	HANDLE, AIR VALVE	1
9.	230493	SPACER	1
10.	230338	BRACKET, AIR VALVE	2
11.	210231	VALVE, DRAIN	1
12.	100302	HOUSING, VACUUM MOUNT	1
13.	140501	NUT, LOCK	3
14.	140000	WASHER, FLAT	3
15.	100038	GASKET, VACUUM MOTOR	1
16.	130415	MOTOR, VACUUM 120V	1
	190161	BRUSH, CARBON	1
	130403	MOTOR, VACUUM 240V	1
	190158	BRUSH, CARBON	1
17.	2998.28	SCREW, 1/4-20X3 1/2	3
18.	100095	GASKET, VACUUM MOTOR	1
19.	231033.BK	PLATE, COVER (12 GAL. MODEL)	1
	230331.BK	PLATE, COVER (16 GAL. MODEL)	1
20.	140900	SCREW, 10-24X3/4	1
21.	230746	BRACKET, AXLE	2
22.	140195	SCREW, 1/4-20X1/2	2
23.	140003	WASHER, FENDER	2
24.	103060	WHEEL	2
25.	140063	WASHER, FLAT	2

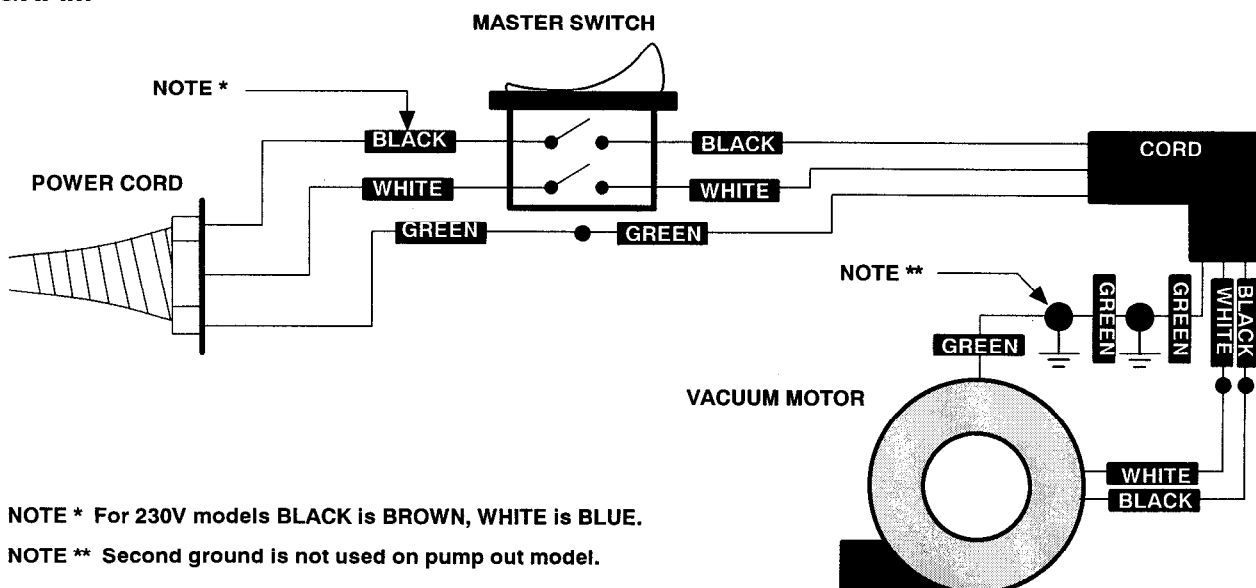
Item #	Part No.	Description	Qty.
26.	230457	AXLE (12 GAL. MODEL)	1
	230317	AXLE (16 GAL. MODEL)	1
27.	140519	NUT., KEP	3
28.	140195	SCREW, 1/4-20X1/2	6
29.	140000	WASHER, FLAT	6
▽30.	701059	ASM., DRAIN HOSE PUMPOUT	1
▲31.	160458	HOSE, DRAIN	1
▲32.	140307	CLAMP	1
▲33.	230357	DOWNSPOUT, PVC 1 1/2"	1
34.	140899	SCREW, 10-24X1 1/4	1
35.	140011	WASHER, FLAT	1
36.	140950	PLUG, DRAIN HOSE	1
37.	230394.BK	BRACKET, DRAIN HOSE	1
38.	140825	SCREW, #6X1/2	3
39.	150422	ELBOW, STRT 1/8MX1/8F	1
40.	100068	TAPE, BUMPER	3.2FT
41.	102531	FILTER, FOAM	1
42.	602784	HOUSING, FILTER	1
43.	160459	HOSE, VAC W/CUFF	1
	230905	TUBE, INLET	1
44.	140012	WASHER, FLAT	4
45.	140341	SCREW, #10X1	4
46.	140504	NUT, COUDUIT	1
47.	140000	WASHER, FENDER	3
48.	602744	SCREEN, GATEVALVE	1

DECAL LIST

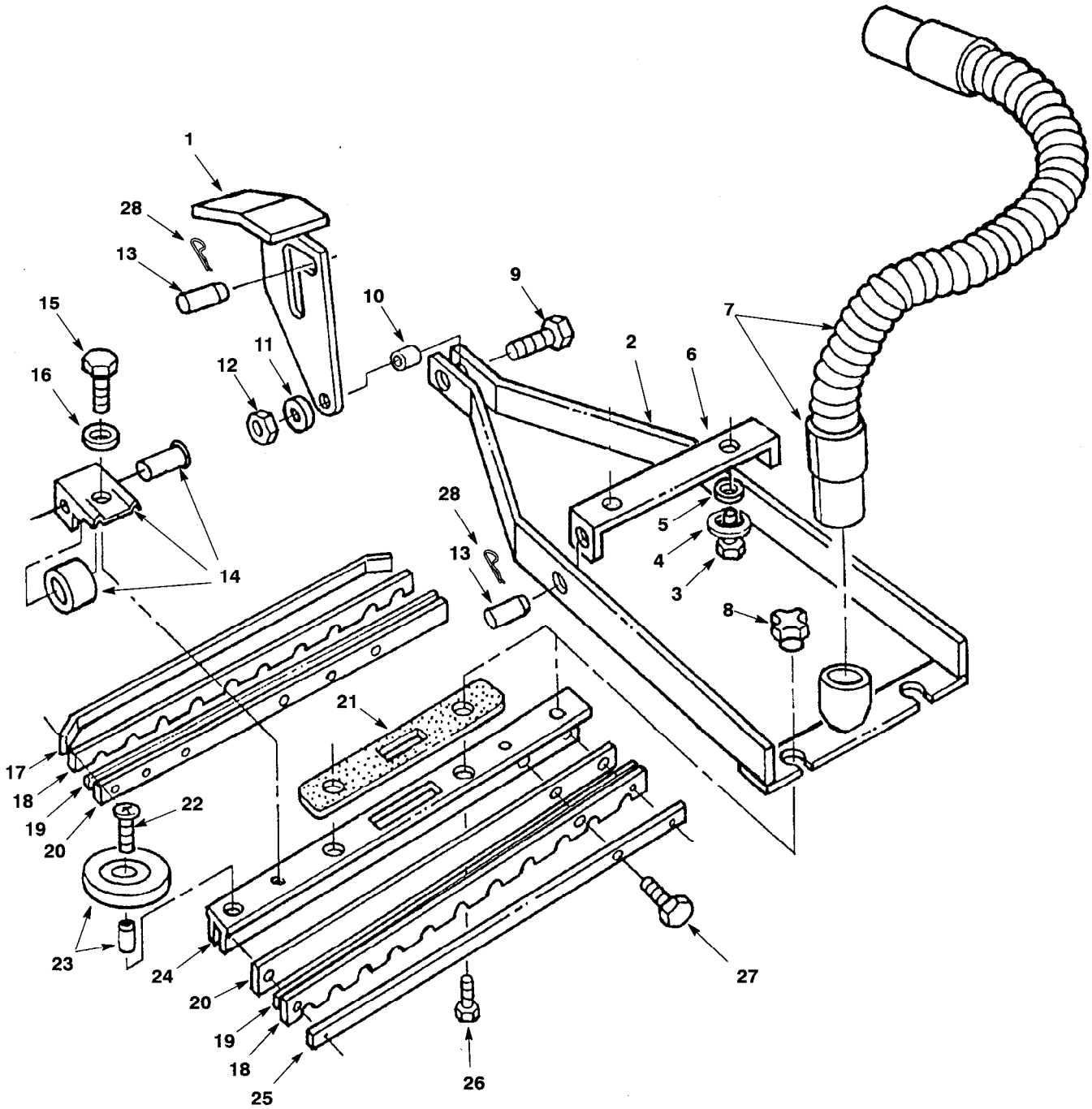
Item #	Part No.	Description	Qty.
N/S	602596	DECAL, WARNING	1
N/S	120657	DECAL, PUMP-OUT INST.	1
N/S	121013	DECAL, "TYPHOON"	2
N/S	121014	DECAL, "WD1292" SIDELINE	2
N/S	121015	DECAL, "WD1692" SIDELINE	2
N/S	121016	DECAL, "WD16120" SIDELINE	2
N/S	121017	DECAL, "WD16107P" SIDELINE	2
N/S	121021	DECAL, "WD12107P" SIDELINE	2
N/S	121019	DECAL, "OSWD16112" SIDELINE	2
N/S	121020	DECAL, "OSWD1694P" SIDELINE	2

N/S = Not Shown

WIRING DIAGRAM



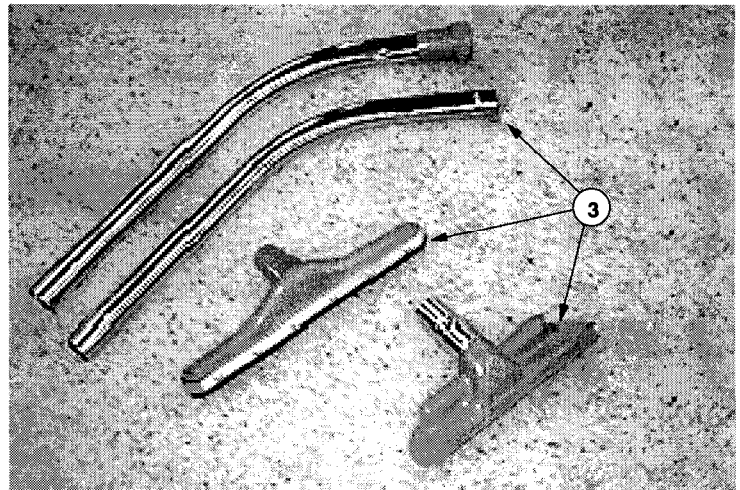
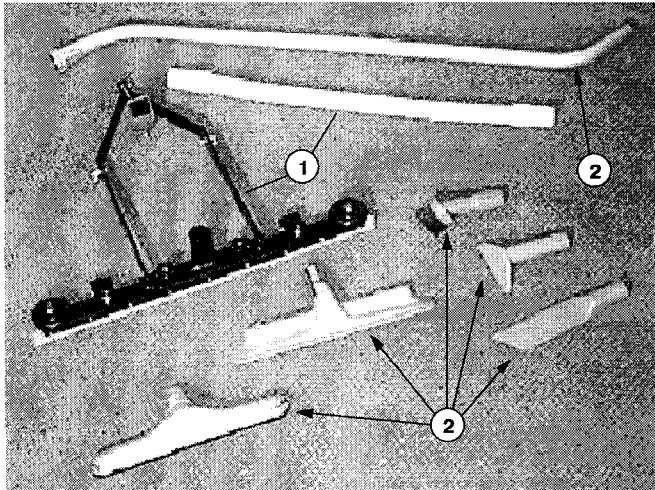
SQUEEGEE GROUP



SQUEEGEE GROUP

Item #	Part No.	Description	Qty.	Item #	Part No.	Description	Qty.
1.	230456	PEDAL, LIFT	1		240295	BLADE, SQ. SERRATED 33"	2
2.	230453.BK	WELDMENT, SQUEEGEE LIFT	1		240293	BLADE, SQ. SERRATED 39"	2
3.	140201	SCREW, 3/8-16X3/4	2	19.	230483	SPACER, SQ. BLADE 27"	2
4.	140017	WASHER, LOCK	2		230767	SPACER, SQ. BLADE 33"	2
5.	140028	WASHER, FLAT	2		230768	SPACER, SQ. BLADE 39"	2
6.	230454	BRACKET, SQUEEGEE MOUNT	1	20.	240298	BLADE, SQUEEGEE 27"	2
7.	160462	HOSE, VACUUM	1		240294	BLADE, SQUEEGEE 33"	2
8.	27257	KNOB	2		240292	BLADE, SQUEEGEE 39"	2
9.	140232	SCREW, 3/8-16X1 1/4	1	21.	100150	GASKET, SQUEEGEE	1
10.	140925	SPACER	1	22.	140799	SCREW, 5/16-18X1 1/2	2
11.	140028	WASHER, FLAT	1	23.	103055	WHEEL, W/BUSHING	2
12.	140515	NUT, LOCK	1	24.	230727.BK	CHANNEL, SQUEEGEE 27"	1
13.	630258	PIN, CLEVIS	3		230682.BK	CHANNEL, SQUEEGEE 33"	1
14.	700844	ASM., SQUEEGEE ROLLER	2		230692.BK	CHANNEL, SQUEEGEE 39"	1
15.	140226	SCREW, 5/16-18X5/8	2	25.	230670.BK	PLATE, FRONT SQUEEGEE 27"	1
16.	140015	WASHER, LOCK	2		230685.BK	PLATE, FRONT SQUEEGEE 33"	1
17.	230725.BK	PLATE, REAR SQUEEGEE 27"	1		230686.BK	PLATE, FRONT SQUEEGEE 39"	1
	230669.BK	PLATE, REAR SQUEEGEE 33"	1	26.	140221	SCREW, 5/16-18X1/4	2
	230685.BK	PLATE, REAR SQUEEGEE 39"	1	27.	140197	SCREW, 10-24X3/8	18/28
18.	240299	BLADE, SQ. SERRATED 27"	2	28.	612254000	HAIRPIN	3

ACCESSORY TOOL KITS



Item #	Part No.	Description	Qty.
1.	190108 190972 190958	KIT, 27" SQUEEGEE KIT, 33" SQUEEGEE KIT, 39" SQUEEGEE	1 1 1
2.	16593	KIT, WET/DRY TOOLS Two Piece Wand Dusting Brush Upholstery Tool Crevice Tool Floor Tool, 16" Squeegee Tool	1
3.	190142	KIT, CONTRACTOR TOOL Two Piece Wand Floor Tool, 14" Squeegee Tool, 14"	1
4.	190928	KIT, WET PICK-UP TOOL (NOT SHOWN) Vinyl Hose, 10' Wand, Aluminum Double Bend Squeegee, Forward/Reverse 14"	1
5.	16590	KIT, DRY TOOL (NOT SHOWN) Floor and Carpet Tool w/Adjustable Brush Wand, Aluminum Double Bend Upholstery Tool Crevice Tool, 11" Dusting Brush	1