

Scout 28

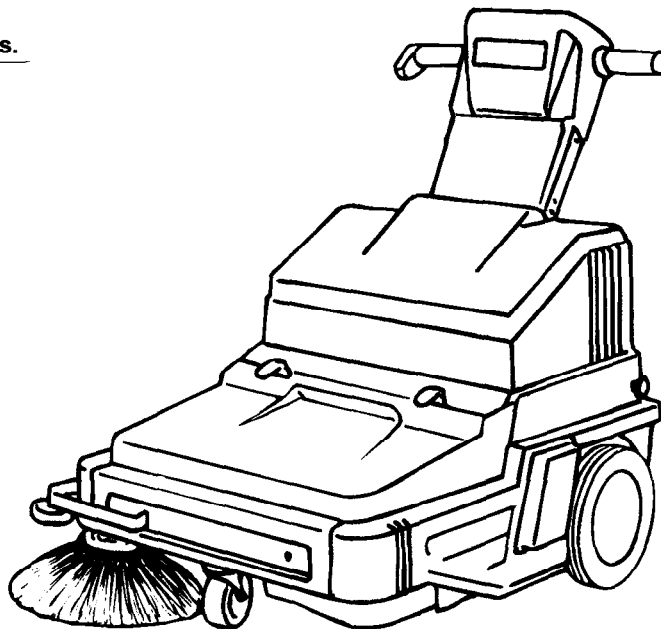
Battery Sweeper

Model No.: 603288

Operator Manual
& Parts Lists



PDF Version of Manual by:
Michigan Company Inc.
2011 N. High St.
Lansing, Mich. 48906
(517) 484-9312
<http://www.Michco.Com>
Email: Shop@Michco.Com
(c) 1998 by Michco & Others.



Castex Incorporated
A Tennant Company
Nobles Industries, Inc.
12875 RANSOM STREET
HOLLAND MI 49424 U.S.A.

1-800-522-7839
616-786-2330
FAX: 1-800-678-4240
CUSTOMER SERVICE: 1-800-365-6625

603509
Rev. 00 (05-97)

OPERATION

GENERAL INFORMATION

The purpose of this manual is to inform the operator of the basic rules, safety rules and criteria which must be observed when using, adjusting and maintaining the machine. The machine has been developed and manufactured to ensure an excellent performance and the utmost comfort and ease of operation in a variety of working conditions. Before delivery, the machine has been checked at the factory and by the dealer to make sure it is handed over to you in perfect working order: To maintain the machine in this condition and ensure problem free operation, it is essential to follow the routine maintenance instructions given in this manual.

When ordering replacement parts use the Parts Lists in this manual. Before ordering parts or supplies, be sure to have your machine model number and serial number handy. Parts and supplies may be ordered by phone or mail from any of the manufacturers service centers or distributors.

This machine will provide excellent service. However, the best results will be obtained at minimum costs if:

- The machine is operated with reasonable care.
- The machine is maintained regularly - per the machine maintenance instructions provided.
- The machine is maintained with manufacturer supplied or equivalent parts.

TABLE OF CONTENTS

SAFETY PRECAUTIONS	2
MACHINE CONTROLS & COMPONENTS	3
UNCRATING MACHINE	3
PREPARING MACHINE FOR OPERATION	4
MACHINE OPERATION	4
CLEANING THE WASTE BINS	5
RECHARGING BATTERY	5
MACHINE MAINTENANCE	5
TROUBLE SHOOTING GUIDE	9
SPECIFICATIONS	9
PARTS LIST	10
ELECTRICAL DIAGRAM	18

MACHINE DATA

Please fill out at time of installation for future reference.

Model No.- _____

Install. Date - _____

Serial No.- _____

SAFETY PRECAUTIONS

The machine, composed of a brush and a suction system, is to be used **EXCLUSIVELY** to clean dry surfaces. Any other use could cause damage to people or things and is therefore **PROHIBITED**.

NOTE: Any RIGHT or Left - CLOCKWISE or COUNTER CLOCKWISE indications included in the manual are always to be intended with respect to the machine's direction of movement

⚠ ATTENTION: This symbol draws your attention to operations that could cause damage to the machine if improperly executed.

⚠ WARNING: This symbol draws your attention to operations that could cause injury to the operator if improperly executed.

READ MANUAL: This symbol draws your attention to operations that must be read about very carefully.

Consult this manual carefully to gain confidence with your machine and learn how to use it more efficiently.

ALWAYS KEEP THE MACHINE OUT OF THE CHILDREN'S REACH.

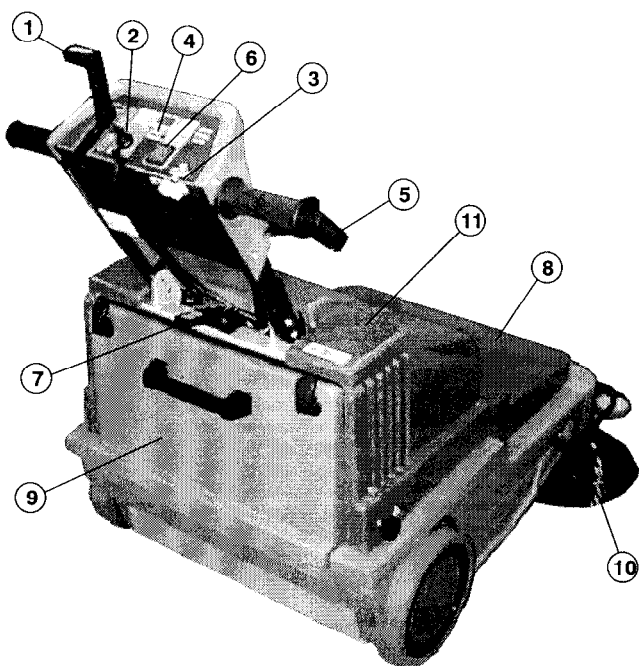
PRECAUTIONS TO BE TAKEN BEFORE ATTEMPTING TO START THE MACHINE:

The following information may cause damage to people and/or machine if improperly executed:

- To facilitate transport, the side brush, the handlebar and the upper casing have not been assembled in their actual work position. Therefore before using the machine, assemble them as shown in this handbook.
- Do not use the machine to soak up liquid.
- The machine must be used by authorized personnel only.

- Before cleaning or servicing the machine, always turn it off.
- As the machine is not provided with a parking brake or service brake, pay attention when you are using it on sloping surfaces.
- Do not leave the machine unattended on sloping surfaces.
- The machine must be used only by qualified and authorized personnel.
- Never use the machine to transport people.
- Never touch the moving parts of the machine.
- Never remove the machine's guards when it is running.
- Do not leave the operating machine unattended.
- Always wear clothing suiting to the kind of work you are carrying out.
- If you are working in a particularly dusty environment (for instance; cement factories, sawmills, marble processing factories), it is recommended to wear: a mask.

MACHINE CONTROLS & COMPONENTS



1. **Side brush control lever:** switch the lever ON and the side brush will move to position and start spinning. To stop the brush, switch the lever to OFF.
2. **Key switch:** this switch starts and stops all the machine's functions.
3. **Battery charger socket:** by plugging a 12V battery charger in this socket you will recharge the battery (see the section on battery recharging).
4. **Charge indicator light:** this light indicates the state of the battery during operation.
5. **Traction lever:** by squeezing this lever, the machine will start moving forward.
6. **Vacuum switch:** Starts and stops vacuum suction.
7. **Filter shaker lever:** this lever operates the filter shaker to clean the filter (see the section filter maintenance).
8. **Front waste bin:** collects debris.
9. **Rear waste bin:** collects dust.
10. **Side brush:** this brush enables machine to clean close to walls.
11. **Upper Cover:** Covers internal components.

UNCRATING MACHINE

Unpack the machine with the utmost care; avoid carrying out any operation that could damage it. Once it has been unpacked, check whether it is damaged. If you notice that it is not in correct working order, DO NOT use it and inform your dealer.

For packaging and transport purposes, some parts and accessories are supplied, disconnected from the machine. To assemble them, carefully follow the instructions given in the relevant sections.

Contents of the package:

- 1 - Machine
- 1 - Side brush
- 1 - Knob for opening the air suction valve
- 1 - Operator & Parts Manual
- 2 - Ignition keys
- 1 - Warranty slip

In the case in which one of the above mentioned parts is missing, please inform your dealer right away.

OPERATION

⚠ WARNING: Make sure to keep the packaging materials (bags, carton pallets, hooks, etc.) out of the reach of children.

⚠ ATTENTION: For security reason during the transport, the ignition keys have been fixed to the handle.

PREPARING MACHINE FOR OPERATION

1. Mounting the side brush. (Figure 1)
 - a. Switch the brush lift lever to OFF.
 - b. Remove the screw from the side brush drive shaft.
 - c. Fit the brush on the shaft.
 - d. Screw on the screw and washer.

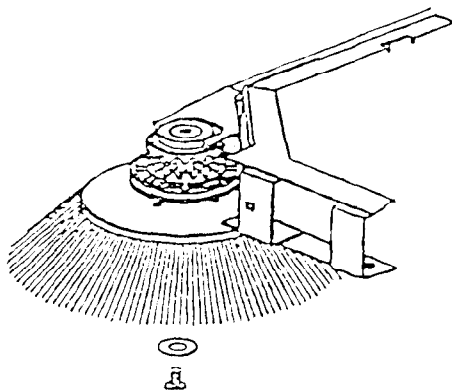


FIG. 1.

2. Mounting the handlebar. (Figure 2)
 - a. Loosen the handlebar fixing screws.
 - b. Position the handlebar in work position.
 - c. Tighten the handlebar fixing screws.

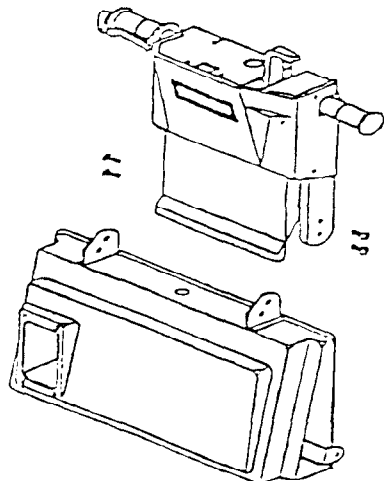


FIG. 2.

3. Mount bumper.
 - a. Remove buttonhead screws from the front right corner of the cowling.

- b. Put bumper in place, around the corner with the wheel down.
 - c. Return the buttonhead screws to their original position.
 - d. Tighten with the 5mm Hex Driver (wrench).
4. Preparing the battery.

⚠ ATTENTION: The battery must be prepared before it is mounted on the machine. This simple precaution will prevent the machine from being damaged by the electrolytic liquid of the battery.

⚠ ATTENTION: Always prepare the battery in a sufficient ventilated environment. Do not smoke or use naked flames during this operation (see the section on battery maintenance). Once the battery has been charged, make sure the electrolytic liquid containers are stored in a safe place AWAY FROM CHILDREN.

5. Mounting the upper cover.

NOTE: Prepare the battery before proceeding the assembling of the cover. Once you have done this:

- a. Remove the upper cover attachment knobs.
- b. Position the upper cover on the machine.
- c. Tighten the upper cover attachment knobs.
- d. Fit the knob regulating the air inlet.

MACHINE OPERATION

⚠ ATTENTION! The machine must be used by authorized personnel only. DO NOT leave the machine UNATTENDED when it is running. Do not use the machine to soak up liquid. Take out the key before leaving the machine. KEEP THE MACHINE OUT OF CHILDRENS REACH.

To start the machine carry out the following operations:

1. Make sure the side brush is OFF.
2. Turn the key switch ON. Wait 10 seconds and check the charge indicator light, to assess whether the battery is fully charged. If it is not, proceed to recharge it.
3. Pull the traction lever, to start cleaning.
4. If necessary, turn ON side brush by pushing and moving side brush control lever backwards. At the end of your work remember to turn it OFF. Switch off the machine and remove the key from the control panel.

NOTE: An automatic device will prevent you from using the machine beyond a certain battery charge limit. When this limit is reached, the machine will stop and the battery must be recharged.

5. After you have become conversant with the operations required to operate the machine, you can actually start using the sweeper to obtain the best results, it is always wise to take a few precautions while operating. These will help you to get the best results from your machine and reduce the chance of possible machine damage.

In particular:

- Do not use the machine to clean up wires, ropes or straps or soak up water and other liquids.
- When using the machine on light but bulky material (sheets of paper, leaves, etc.), raise the front part of the machine by pressing down the handlebar so that the machine can tackle the rubbish.
- Operate the filter shaker at the end of your work (see the "Panel Filter section").
- Make sure the center brush is correctly regulated (see the section on adjusting the center brush).

CLEANING THE WASTE BINS

Before carrying out this procedure, make sure machine is turned off.

⚠ ATTENTION. Waste must be disposed strictly in accordance to law.

1. Cleaning the front waste bin.
 - a. Lift and turn the two bin locks.
 - b. Grasp the handle/s and remove the bin by pulling it upwards.
 - c. Empty the bin.
 - d. Put the bin back in the machine from the top.
 - e. Turn and lower the two locks.
2. Cleaning the rear waste bin.
 - a. Lift and turn the two bin locks.
 - b. Grasp the handle and pull the bin out of the machine.
 - c. Empty the bin.
 - d. Fit the bin back into the machine.
 - e. Turn and press the two locks.

RECHARGING BATTERY

⚠ ATTENTION: Remember that the area where these operations are done should be well ventilated.

⚠ ATTENTION: Don't get close to open flames or smoke during these operations.

With machine turned OFF, perform the following steps:

1. Take off the battery cell covers and reestablish the level of distilled water.
2. Connect the 12V battery charger to the charging plug.

The length of battery charge will depend on the periodic maintenance and the level discharged reached. Don't discharge the battery more than the limit signaled on indicator light. If the maximum discharge limit is reached, the machine will stop and should be recharged in order to continue cleaning.

Battery Charge Indicator:

Green Light – Battery completely charged.

Yellow Light – Battery near discharged, recharge battery as soon as possible.

Red Light – Battery discharged, don't run machine.

The battery should provide approximately 2.5 hours of run time on a full charge. If the run time is less than this, check the following:

- Brushes are running freely.
- Battery is completely charged before starting.

MACHINE MAINTENANCE

All service performed should be completed by persons who understand the machine or an Authorized Service Center. It is recommended that only authorized repair parts be used for service.

ATTENTION: All maintenance should be done with machine turned OFF.

MAINTENANCE CHECKS

1. Check battery level at delivery and every 10 hours of operation.
2. Check that all is operating well at delivery and every 100 hours of operation.
3. Check periodically that waste bins have been emptied.
4. Check brush condition every 50 hours of operation. Adjust or replace if necessary.
5. Check belt tension every 50 hours of operation. Adjust or replace if necessary.

OPERATION

6. Check screws and bolts for tightness every 100 hours of operation.
7. Check condition of motor carbon brushes every 200 hours of operation. Replace if worn.

BATTERY MAINTENANCE

1. The battery should always be kept clean and dry.
2. Check that the battery and posts are constantly clean of corrosion.
3. Every 10 hours of operation take off battery cell covers and check electrolyte level, refilling them distilled water if necessary.

⚠ ATTENTION: Remember that the area where these operations are done should be well ventilated.

⚠ ATTENTION: Don't get close to open flames or smoke during these operations.

FILTER MAINTENANCE

The filter is one of the machine's main components. It is essential for the best results from your machine. If you notice that dust forms when the machine is at work, check the filter by performing the following steps:

1. Press and release the filter shaker lever. The lever operates a rod that will unplug the filter. Repeat this operation 5 or 6 times.
2. Apart from the filter shaker, it is advisable every now and again to remove the machine's filter and clean it out with a blast of air or a vacuum cleaner. For this purpose, the filter is removed as follows:
 - a. Remove the rear bin.
 - b. Loosen the two screws from the filter fixing bracket. (Figure 3)

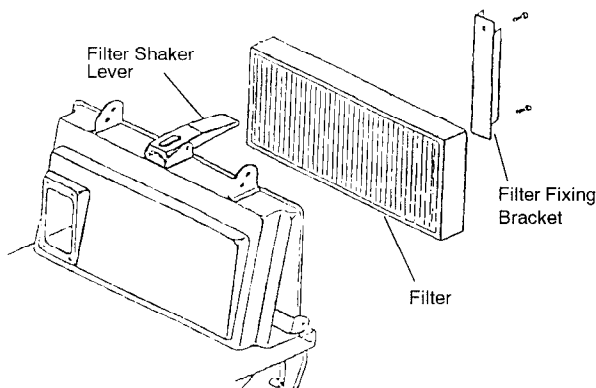


FIG. 3.

- c. Remove the filter fixing bracket.
- d. Remove the filter while holding up the filter shaker rod.

- e. To remount the filter, carry out the operation in reverse order.

NOTE: The filter features an arrow that shows you the direction in which it should be fitted.

DUSTY ENVIRONMENTS: If you are using the machine in a particularly dusty environment (cement factories, sawmills, marble processing factories), it is wise to use the filter shaker more frequently.

3. Every 200 hours of work, the filter must be replaced. Follow the operations listed in step 2. After the filter has been remounted, make sure the gasket and filter are dust tight.

⚠ ATTENTION: Waste must be disposed of in accordance to the law.

REPLACING AND ADJUSTING THE SIDE BRUSH

To Replace Side Brush:

1. Lift the front part of the machine.
2. Slacken the brush fixing screw and remove the brush.
3. Replace the brush and secure the new one in place with the screw and its washer.

To Adjust Side Brush:

1. The side brush is adjusted by loosening two screws. (Figure 4)
2. Position the brush using screw slots to adjust required height. Once you have positioned it, tighten the two screws.

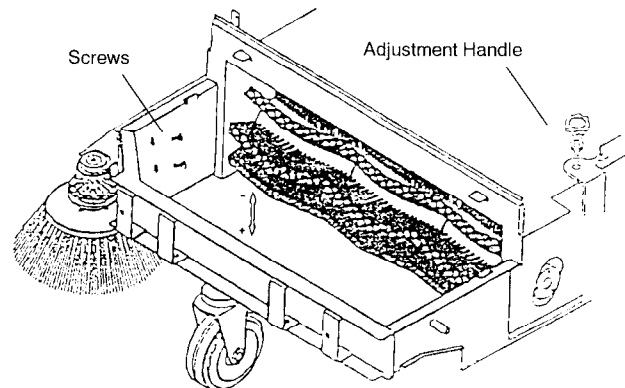


FIG. 4.

REPLACING AND ADJUSTING THE MAIN BRUSH

To Replace Main Brush:

1. Remove the front waste bin and slacken the four fixing screws to remove the brush.
2. When mounting a new brush, pay attention to the direction in which the brush will spin; it must direct dirt toward the center of the machine.

To Adjust Main Brush Height:

1. Remove the upper cover.
2. Loosen the knurled lock nut below the adjustment handle and turn handle in the direction desired (counterclockwise to increase pressure). (Figure 4)
3. By pulling up the handle, the brush will turn idle. This will allow you to position the brush in a place where it will not prevent the upper cover from closing.

REPLACING AND ADJUSTING THE BELTS

To prepare the machine for belt replacement:

1. Remove the upper cover and the front waste bin.
2. After removing the right wheel, loosen the screws that secure the bumper and right side guard in place and remove the latter.
3. With the machine dismantled in such a manner, you can replace the damaged belt.

Belt Components: (Figure 5)

1. Drive belt
2. Shaft drive pulley
3. Reduction unit drive pulley
4. Main brush drive pulley on reduction unit
5. Main brush drive belt
6. 2 groove pulley
7. Side brush drive belt
8. Side arm fixing pin
9. Side arm

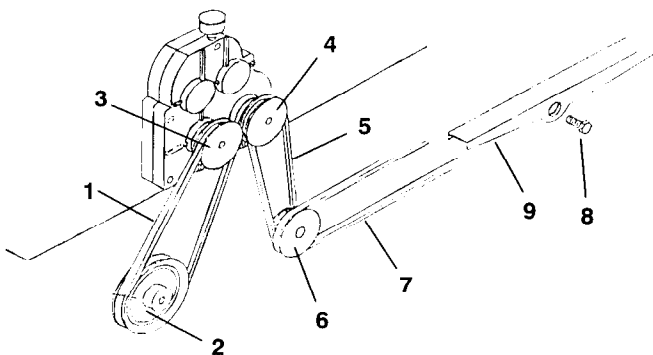


FIG. 5.

To Replace the main brush belt:

1. Remove belt 7 from the groove of pulley 6.
2. Remove belt 5 from the groove of pulleys 4 and 6.
3. Replace the belt. Position belt 7 on pulley 6.

To Replace the side brush belt:

1. Remove belt 7 from pulley 6. Loosen fixing pin 8 and let the hooks of side arm 9 come out of the idle toothed ring.
2. Remove belt 7 from side arm 9.
3. Replace the belt. Hook side arm 9 to the idle toothed ring. Tighten pin 8.
4. Place belt 7 on pulley 6.

To Replace the drive belt:

1. Loosen the pulley 4 fixing screw and take it out of the reduction unit shaft, paying attention not to lose the key.
2. Unscrew the pulley 3 fixing screw and take it out of the reduction unit shaft, paying attention not to lose the key.
3. Remove belt 1.
4. Place the new belt on pulley 2.
5. Mount pulley 3 on the reduction unit along with the belt.

REPLACING THE FLAPS

To Replace Outer side flaps 1: (Figure 6)

1. Remove the rear wheels and the relevant side guards.
2. Loosen the screws that secure the flaps to frame 2 and replace the old flaps with new ones.

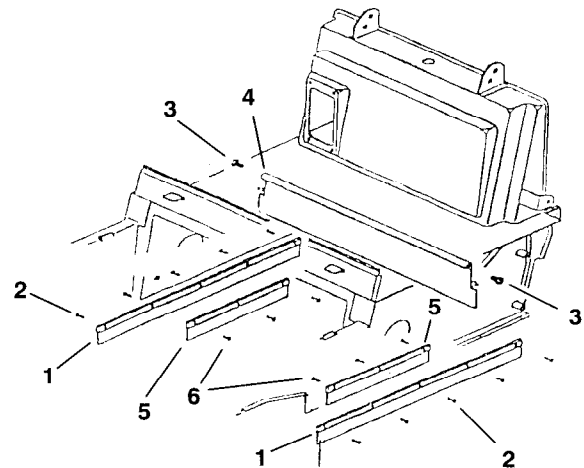


FIG. 6.

To Replace Inner side flaps 5 : (Figure 6)

1. Lift the front part of the machine and loosen screws 6 that secure the flaps to the frame.
2. Replace the old flaps with new ones.

OPERATION

To Replace Center flaps: (Figure 6)

1. Remove the rear wheels and the relevant side guards.
2. Remove the rear door.
3. Loosen the two flap fixing pins 3, located on the sides of the frame.
4. Grasp flap 4 and pull it outwards.
5. Remount the flaps in the same direction in which they are removed.
6. Insert the two references in their holes.
7. Tighten the two fixing pins.

REPLACING THE TRACTION CABLE

To remove the traction cable:

1. Remove the upper cover of the machine.
2. Loosen the security dowel located on the cable fixing pin.
3. Pull the cable out of the fixing pin and remove the adjusting screw mounted on the handle.
4. Press the handle and pull the cable out of its sheath.

To remount the traction cable:

1. Fit one end of the cable into the adjustment screw of the handle (i.e. the end without the blocking ball).
2. Insert the cable into its sheath.
3. Hook the blocking ball to the handle.
4. Slot the cable through the turned adjustment screw secured to the machine frame and then through the fixing pin.
5. Tighten the security dowel. The position of the cable is adjusted by acting on the two adjustment screws.

To Replace the side brush lifting cable:

1. Remove the upper cover and the front waste bin of the machine.
2. Remove the front bumper, the right wheel and the right hand side guard.
3. Loosen the cable clamp.

4. Loosen the security dowel on the fixing pin.
5. Remove the handle from the support and open it up.
6. Pull the cable out of the two sheaths.

To remount the side brush lifting cable:

1. Put the cable inside the handle.
2. Close up the handle and fix it to its support.
3. Insert the cables into their sheaths.
4. Secure one end of the cables in place with the clamp and the other end with the fixing pin. The position of the cable is adjusted by acting on the two adjustment screws.

REPLACING THE FAN MOTOR

To replace the fan motor:

1. Remove the upper cover.
2. Disconnect the battery cables and take the battery out of the machine.
3. Disconnect the power supply cords of the motor from the plug.
4. Remove the stop for the cable holder from the motor.
5. Loosen the four motor fixing screws. Replace the motor by carrying out the above operations in reverse order:

NOTE: Make sure the motor is mounted level with the fan.

⚠ ATTENTION: When connecting the motor respect the polarity.

SCRAPPING THE MACHINE

In the event the machine must be scrapped, please remember that batteries are not common waste materials. They must be disposed of in accordance with the relevant laws.

The machine is composed of different parts. Dismantle it and prepare the wastes for disposal in accordance to their type.

⚠ ATTENTION: Do not use the scrap pieces as spare parts. Keep scraps out of reach of children.

TROUBLE SHOOTING GUIDE

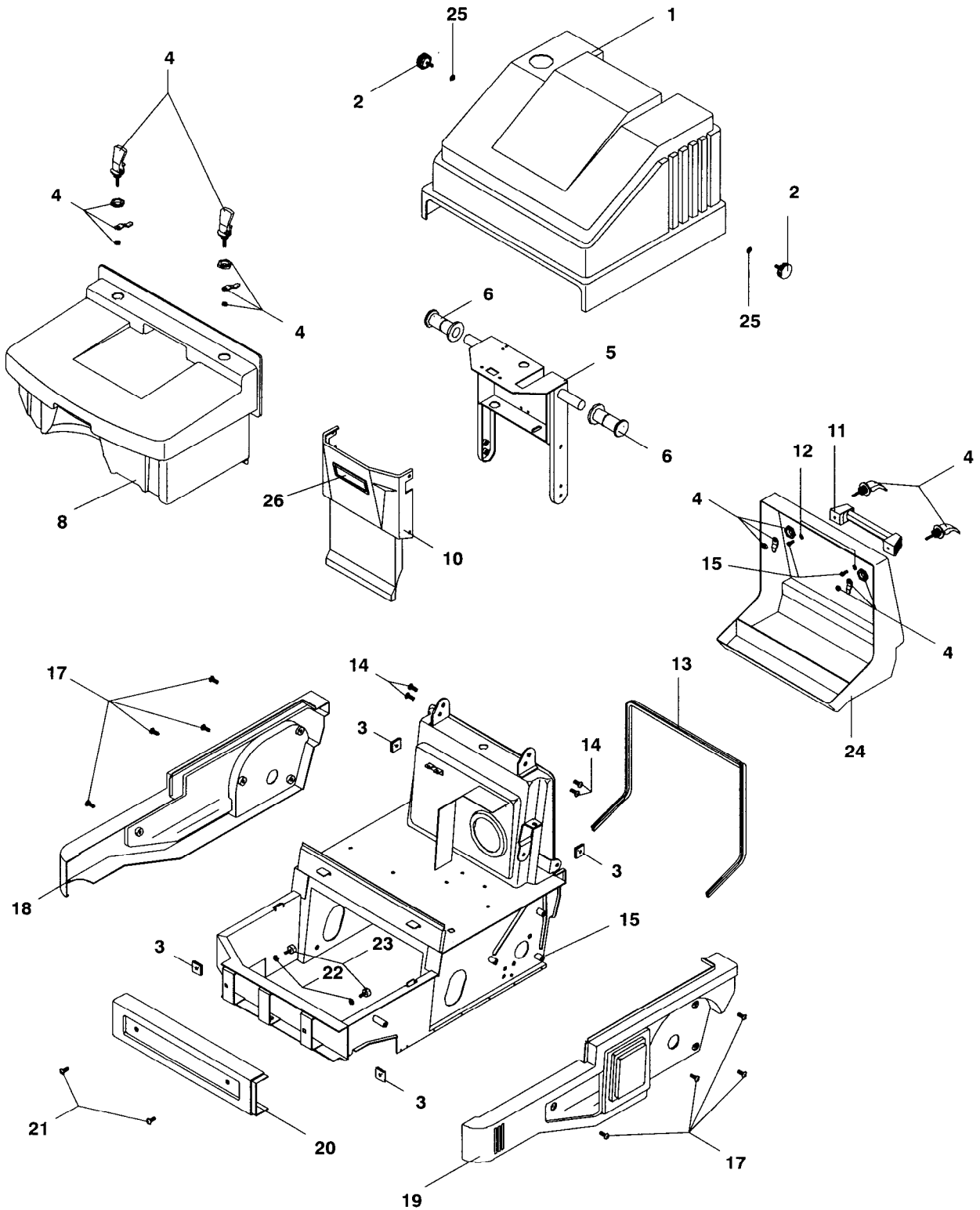
PROBLEM	CAUSE	SOLUTION
The main brush is not spinning.	The belt is broken.	Replace belt.
	The motor has burnt out.	Replace motor.
	A wire is detached.	Repair connection.
The side brush is not spinning.	The belt is broken.	Replace belt.
The battery does not stay charged.	The liquid is insufficient.	Add liquid.
	The terminal is loose.	Tighten terminal.
Dust comes out of the fan.	The filter is broken.	Replace filter.
	The filter is in the wrong position.	Position correctly.
	The gaskets are worn.	Replace gasket.
The brushes wear out too quickly.	The brushes are too low.	Adjust brush height.
Dust forms during operation.	The flaps are worn.	Replace flaps.
	Clogged filter.	Cleaning required.
The suction motor does not work.	The motor has burnt out.	Replace motor.
	The wire is disconnected.	Repair connection.
The machine does not turn on.	The battery terminals are disconnected.	Reconnect terminals.
	The battery is discharged.	Recharge battery.

SPECIFICATIONS

Model:	SCOUT 28
MAXIMUM WIDTH WITH SIDE BRUSH	32"/810 mm
MAXIMUM LENGTH WITH SIDE BRUSH	45.6"/1160 mm
MAXIMUM HEIGHT WITH SIDE BRUSH	39.3"/1000 mm
ACTUAL CLEANING WIDTH (MAIN BRUSH)	20.5"/520 mm
WEIGHT	194 lbs/88Kg
WEIGHT OF BATTERY	55 lbs/24.9 Kg
CAPACITY OF FRONT WASTE BIN	1.1 cu.ft/32L
BATTERY RUN TIME	2.5 h
FILTERING SURFACE	27"/69cm
PRODUCTIVITY	26,900 sq. ft./2500m ² per hour
INSTALLED POWER	360W/28A
BATTERY TYPE	12V, 105A
NOISE LEVEL AT OPERATOR'S EAR	77.2 dB(A)
VIBRATIONS	2,5 m/Sec ²

PARTS LIST

CHASSIS GROUP



CHASSIS GROUP

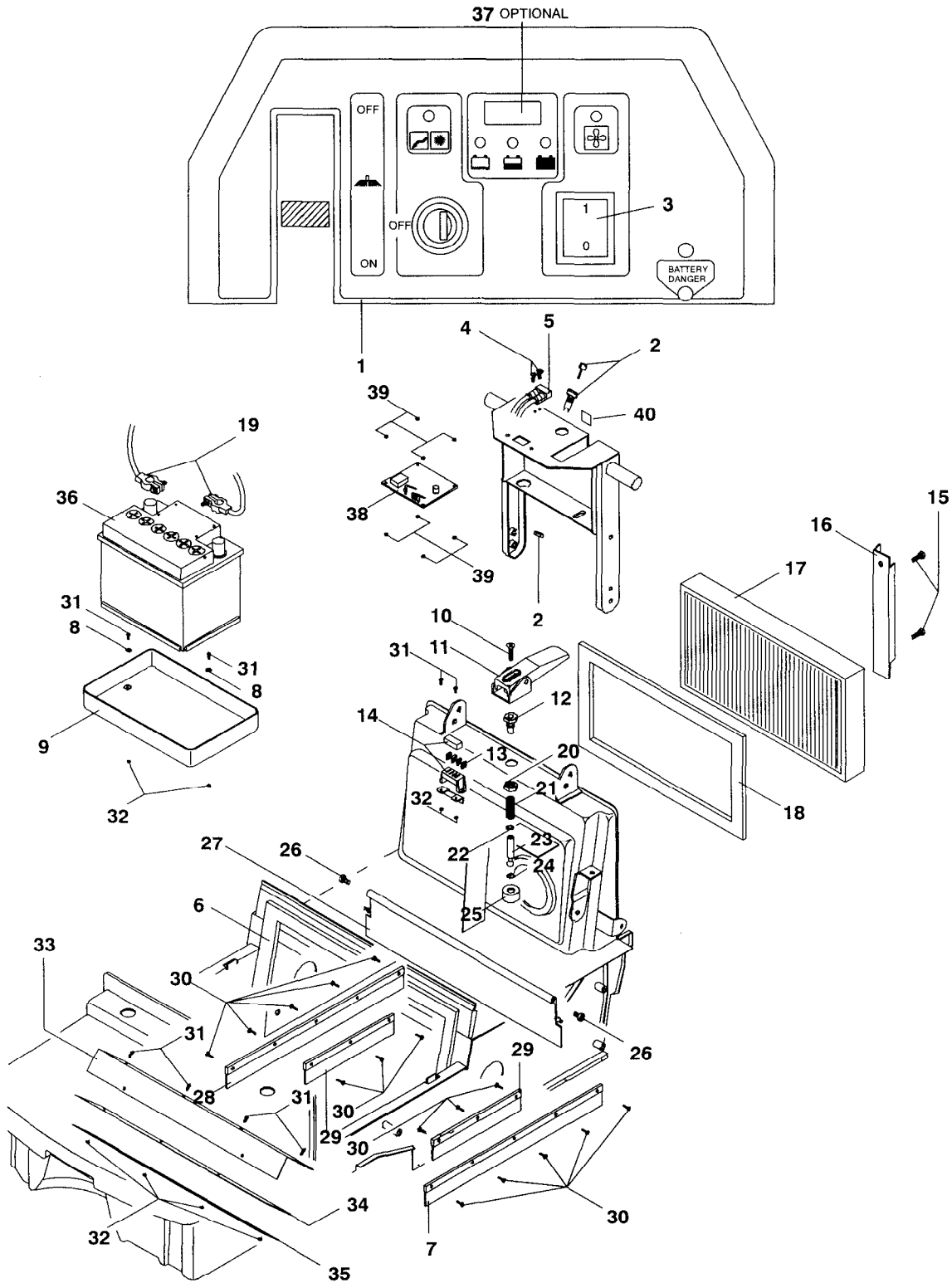
Ref.	Part No.	Description	Qty.
1	603346	Cover, Upper Blue	1
2	603348	Screw, Thumb	2
3	1.105.201*	Nut M 8	4
4	2.300.111*	TEK locking	4
5	2.200.200*	Handgrip TK500 E painted	1
6	1.200.040*	Rubber handle cover Ø 24/24	2
8	603347	Hopper, Blue	1
10	2.120.235*	Grey cable casing for the handle	1
11	2.310.097*	Complete Handle L 183	1
12	1.105.325*	Washer 6x24x2	2
13	1.320.048*	Reinforced gasket	1.5 Mt
14	603349	Screw, handle bar	4

Ref.	Part No.	Description	Qty.
15	1.105.361*	Screw 6.3x19	2
16	2.270.082*	Frame TK 500 E	1
17	1.105.230*	Screw 8x10	8
18	603343	Cover, rightside	1
19	603344	Cover, leftside	1
20	603345	Cover, front	1
21	1.105.239*	Screw 8x16	2
22	1.105.123*	Nut M 6	2
23	1.370.003*	Foot 20X9 M6X18	2
24	2.120.023*	Gray back drawer TK 500	1
25	1.105.304*	Washer 8x17	2
26	603364	Decal. Scout 28	1

* Nonstocked part. Allow 4-6 weeks delivery time.

PARTS LIST

ELECTRICAL/FILTER GROUP



ELECTRICAL/FILTER GROUP

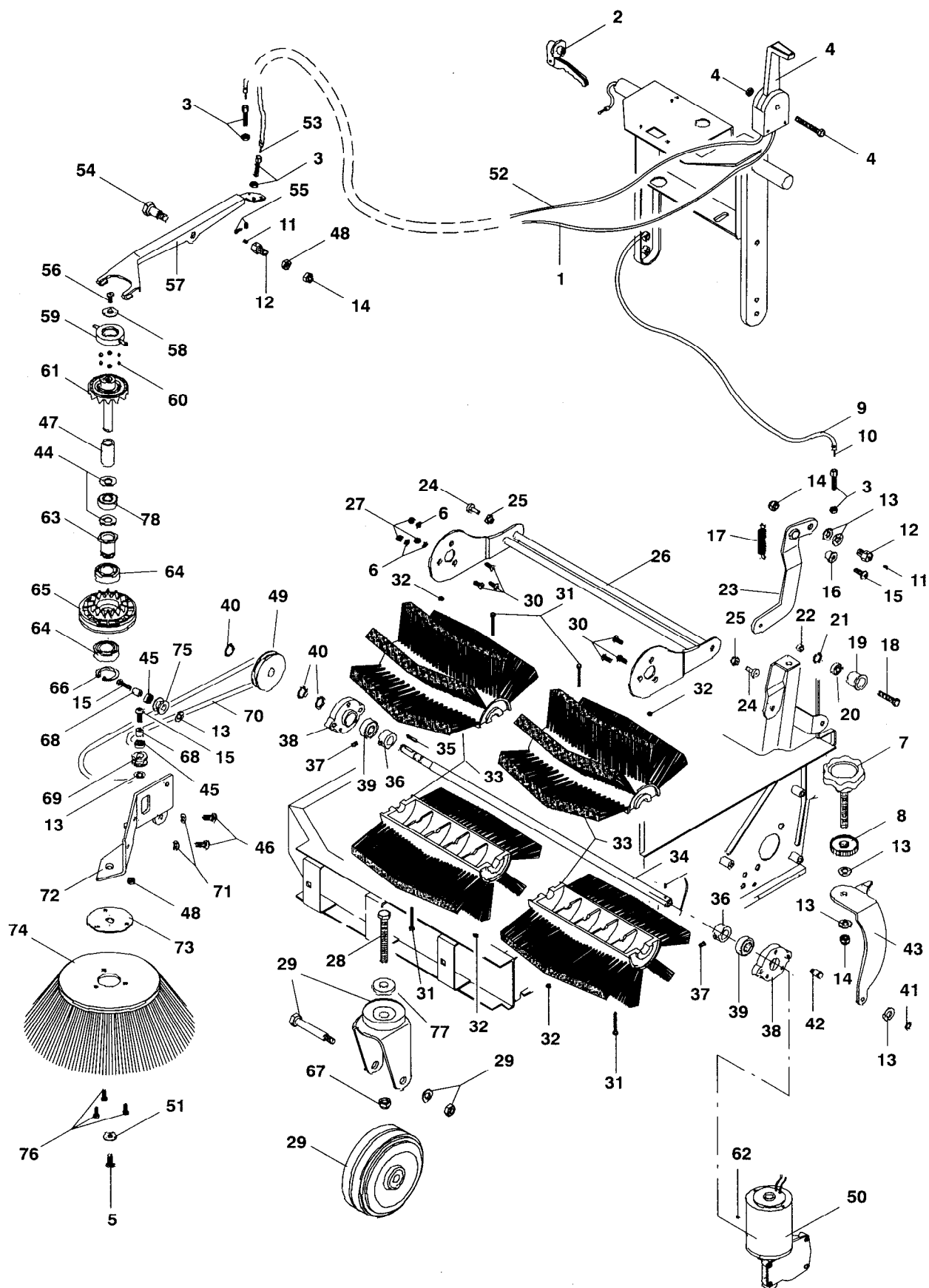
Ref.	Part No.	Description	Qty.
1	6.911.072*	Dashboard's plate	1
2	603360	Key switch	1
3	1.380.009*	Bipolar switch	1
4	1.105.363*	Screw 5x20	2
5	1.380.008*	Batt.Charger connector	1
6	2.160.033*	Adhesive kit for front drawer	1
7	2.160.060*	Left side flap	1
8	1.105.302*	Washer 5x10	2
9	2.120.020*	Battery container	1
10	1.105.504*	Screw 6x25	1
11	2.310.105*	Complete filtershaker's lever	1
12	2.165.005*	Filtershaker's rail	1
13	603358	Fuse 30A	4
14	1.380.004*	Fuse box + cover	1
15	1.105.064*	Screw 8x25	2
16	2.260.027*	Filter fixing bracket	1
17	603341	Filter	1
18	603359	Gasket, Filter	1
19	1.180.037*	Electrical installation	1
20	1.105.221*	Nut M18	1

Ref.	Part No.	Description	Qty.
21	2.205.006*	Filtershaker' spring	1
22	1.160.049*	OR 106 Gasket	1
23	2.230.018*	Pin	1
24	1.105.702*	Inner snap ring Ø 16	1
25	2.205.007*	Articulated bar	1
26	1.105.232*	Screw 10x16	2
27	2.160.035*	Backside flap	1
28	2.160.036*	Right side flap	1
29	2.160.055*	Inner flap TK	2
30	1.105.356*	Screw 3.5x9.5	16
31	1.105.002*	Screw 4x16	8
32	1.105.121*	Nut M4	8
33	603361	Clamp, front guard	1
34	603362	Guard, front rubber	1
35	603363	Skirt, hopper	1
36	1.180.003*	12V 80 Ah Battery	1
37	1.380.1000*	Hourmeter LCD	1
38	603342	Circuit board, main 12V	1
39	1.105.122*	Nut M 5	8
40	603386	Decal 12V	1

* Nonstocked part. Allow 4-6 weeks delivery time.

PARTS LIST

BRUSH GROUP



PARTS LIST

BRUSH GROUP

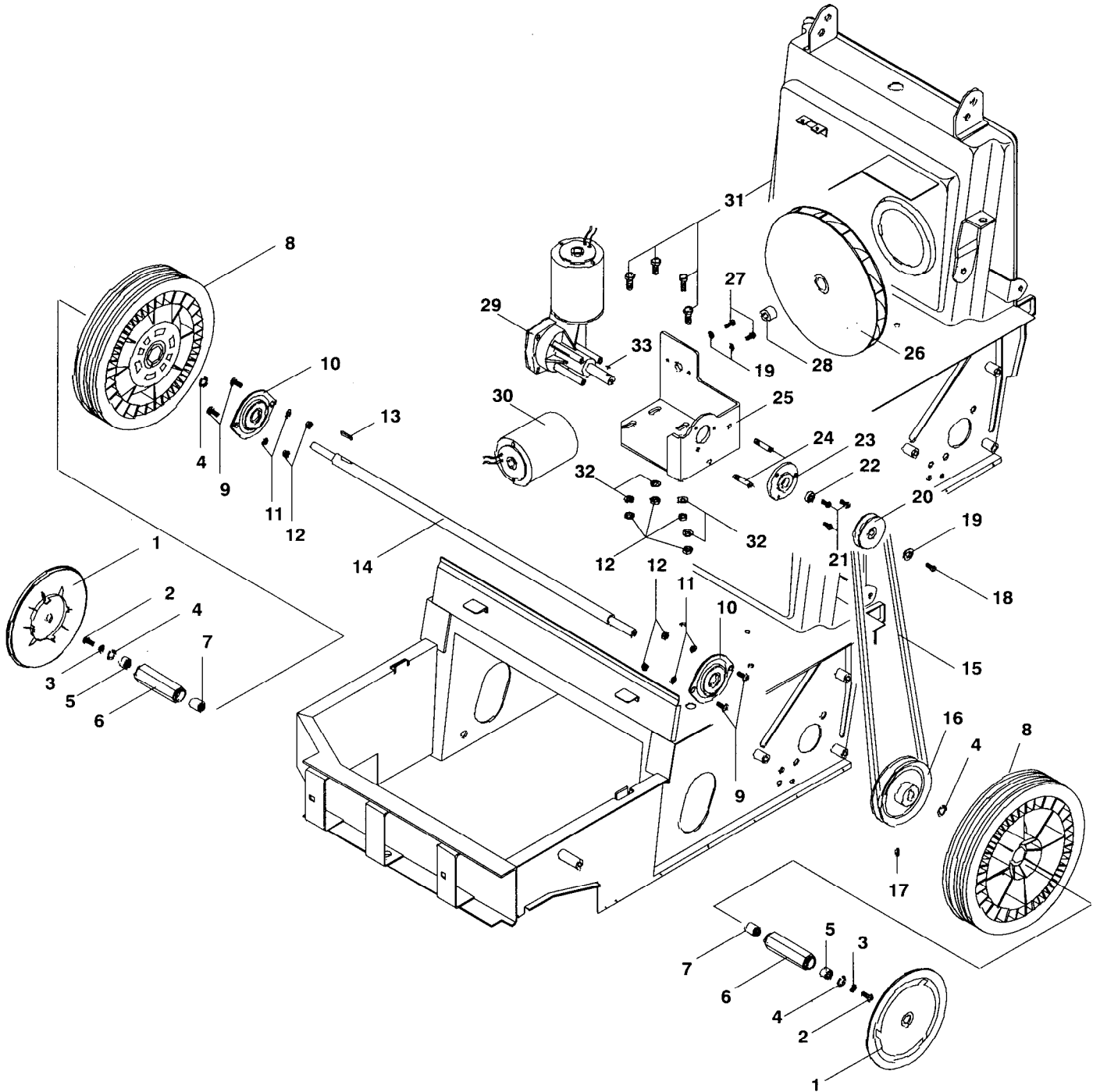
Ref.	Part No.	Description	Qty.
1	2.125.017A*	Side brush sheathing	1
2	603351	Handle, Drive	1
3	1.105.229*	Turned adjuster Ø 7	3
4	603350	Lever, sidebrush drive	1
5	1.105.162*	Screw 6x16	1
6	1.105.303*	Washer 6x12	6
7	1.320.031*	Handwheel, Ø 60 12x67	1
8	1.110.005*	Knurled ring nut, Ø40 M12	1
9	2.125.015*	Drive cable sheath	1
10	2.125.015C*	Drive cable	1
11	1.105.485*	Dowel 5x6	2
12	2.290.004*	Wire fixing screw	2
13	1.105.304*	Washer 8x17	7
14	1.105.124*	Block nut M 8	3
15	1.105.238*	Screw 8x25	3
16	2.110.025*	Belt tightener lever's b.	1
17	2.205.005*	TK 500 traction spring	1
18	2.290.001*	Fixing screw belt tightener roller	1
19	2.250.001*	Belt tightener roll h15	1
20	1.390.005*	Bearing 608 2RS	1
21	1.105.701*	Inner snap ring Ø 22	1
22	2.130.001*	Spacer	1
23	2.190.011E*	TKE belt tightener braket	1
24	2.290.007*	Pin for rocker	2
25	2.110.016*	Rocker bushing	2
26	2.110.017*	TK 500 Rocker	1
27	1.105.133*	Block nut M 6	6
28	1.105.094*	Screw 12x40	1
29	1.250.067*	Rotary support wheel Ø100	1
30	1.105.503*	Screw 6x20	6
31	1.105.551*	Screw 5x70	4
32	1.105.122*	Nut M5	4
33	603339	Brush, Main	1
34	2.100.009*	Brush shaft TK 500	1
35	1.105.461*	Key 5X5X15	1
36	2.130.003*	Spacer brush'shaft	2
37	1.105.482*	Dowel 6x5	2
38	2.260.028*	Ø80 Bearing' support	2
39	1.390.009*	Bearing 6202 2RS	2

Ref.	Part No.	Description	Qty.
40	1.105.405*	Outer snap ring Ø 15	3
41	1.105.420*	Outer snap ring Ø 12	1
42	2.230.029*	Brush adjusting fixing pivot	1
43	2.190.005*	Main brush adjustment bracket	1
44	2.105.001*	Side arm's felt washer	2
45	1.390.013*	Bearing HK 1012	2
46	1.105.230*	Screw 8x10	2
47	2.130.011*	Side brush shaft'spacer	1
48	1.105.124*	Nut M8	2
49	2.250.019*	Pulley	1
50	1.340.008*	Gearmotor, Ø77	1
51	1.105.325*	Washer 6x24	1
52	603353	Casing, Side brush cable	1
53	603352	Cable, Lift side brush	1
54	2.230.002*	Pin 17x34	1
55	1.125.004*	Clamp Ø7	1
56	1.105.231*	Screw 8x22	1
57	2.190.004*	Side brush lifting lever	1
58	1.105.327*	Washer 8x32	1
59	2.100.012*	Ring for the side brush bearing	1
60	1.260.029*	Balls 11/32"	6
61	2.100.019N*	TK Side brush mov. toothed ring	1
62	1.105.463*	Key 3X3,7	1
63	2.110.012N*	Bushing for bearings	1
64	1.390.012*	Bearing 6005 2RS	2
65	2.100.020*	Idle toothed ring	1
66	1.105.416*	Outer snap ring Ø 25	1
67	1.105.136*	Block nut M 12	1
68	2.110.042*	Spacer	2
69	2.250.079*	Pulley Ø 27X15	1
70	603336	Belt, brush side	1
71	1.105.326*	Washer 8x24	2
72	2.260.024*	Side brush support	1
73	2.250.034*	Side brush dragging flange	1
74	603337	Side brush	1
75	2.250.080*	Pulley Ø 30X1	1
76	1.105.160*	Screw 6x10	3
77	2.130.005*	Spacer	1
78	1.390.015*	Bearing HK 1412	1

* Nonstocked part. Allow 4-6 weeks delivery time.

PARTS LIST

DRIVE GROUP



PARTS LIST

DRIVE GROUP

Ref.	Part No.	Description	Qty.
1	603356	Cover, Wheel	2
2	1.105.234*	Screw 6x10	2
3	1.105.325*	Washer 6x24	2
4	1.105.418*	Outer snap ring Ø 28	4
5	1.390.016*	Bearing HFL 1426	2
6	2.110.033*	Exagonal bushing	2
7	1.390.015*	Bearing HK 1412	2
8	2.250.071*	Wheel Ø 250x55	2
9	1.105.222*	Screw 6x16	4
10	1.390.017*	Support SBPFL 203	2
11	1.105.303*	Washer 6x12	4
12	1.105.133*	Block nut M 6	8
13	1.105.464*	Key 5x5x25	1
14	2.100.006*	Drive shaft	1
15	603357	Belt, Drive	1
16	2.250.029*	Pulley Ø 140	1
17	1.105.481*	Dowel 6x10	1

Ref.	Part No.	Description	Qty.
18	1.105.001*	Screw 4x12	1
19	1.105.323*	Washer 5x20	3
20	2.250.030*	Pulley Ø 55	1
21	1.105.235*	Screw 6x20	3
22	1.390.007*	Bearing 6000 2RS	1
23	2.260.032*	Bearing support	1
24	2.230.005*	Belt support pin	2
25	2.260.026*	Motors support	1
26	603354	Fan	1
27	1.105.022*	Screw 5x16	2
28	603355	Bushing, Fan	1
29	603338	Motor, main brush	1
30	603340	Motor, Fan	1
31	1.105.162*	Screw 6x16	4
32	1.105.324*	Washer 6x18	4
33	1.105.463*	Key 3x3.7	1

* Nonstocked part. Allow 4-6 weeks delivery time.

PARTS LIST

24V ELECTRICAL DIAGRAM

