

SCXTM - 17

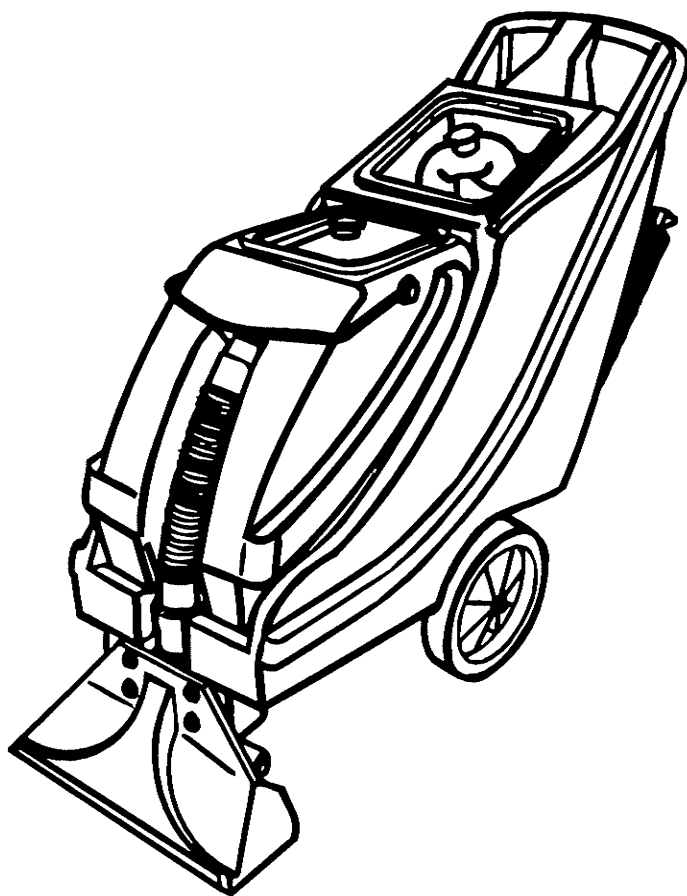
Self-Contained Carpet Extractor

MODEL: SCX17 (Formerly the E-17P)

Parts Manual

REV. 00 (1-91)

Record Machine Serial Number
Here For Future Reference:



NOBLES[®]

A TENNANT COMPANY

12875 Ransom Street, Holland, MI 49423-9316

1-800-739-9359

616-786-2330

FAX: 1-800-678-4240

CUSTOMER SERVICE: 1-800-365-6625



CONTENTS

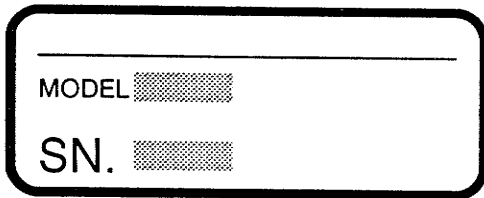
	Page
ORDERING REPAIR PARTS	3
Fig. 1 - Main Frame and Water Group, E-17, E-17R, E-17P, E-17PR ...	4
Fig. 2 - Non-Recycle Recovery Tank Group, E-17, E-17P	6
Fig. 3 - Recycle Recovery Tank Group, E-17R, E-17PR	7
Fig. 4 - Solution Tank Group, E-17, E-17R, E-17P, E-17PR ...	8
Fig. 5 - Powerbrush Group, E-17P, E-17PR	10
Fig. 6 - Electrical Panel, E-17, E-17R, E-17P, E-17PR ...	12
Fig. 7 - Motor Pump	16
Fig. 8 - Vacuum Fan	17
Fig. 9 - Brush Motor	18
Fig. 10 - Carpet Wand	19
Fig. 11 - Hard Floor Wand	20
Fig. 12 - Upholstery Tool	22
Fig. 13 - Detergent	22
Fig. 14 - Hose Assembly	23
Fig. 15 - Electrical Schematic	24

ORDERING REPAIR PARTS

The components used in this machine have been carefully selected for performance and safety. Use only _____ specified or equivalent parts.

When ordering parts, please furnish all of the following information:

1. Machine model and serial numbers - shown on the machine data plate.



2. Company name.
3. Name, first and last - of person ordering parts.
4. Customer account number.
5. Ship to number.
6. Required means of shipment.
7. Purchase order number.
8. Part number, description, and quantity - of each item on the order.

Do not order parts by key number or the figure number of the illustrated parts. Indented items indicate parts of assemblies.

Any claim for loss or damage to a shipment in transit should be filed promptly against the transportation company making the delivery. Shipments will be complete unless the packing list indicate items back ordered.

If parts received are suspected to be incorrect or defective, please write, fax, or phone the _____ representative from whom you ordered the part. They will give authorization for return and/or handle replacement shipments when required.

SERIAL NUMBER INFORMATION EXPLANATION

Serial number listings are shown to indicate on which machines each part can be used. These listings are explained by the following examples:

(000000-) The part can be used on all machines.

(003342-) The part can be used on all machines beginning with the serial number listed.

(000000-004320) The part can be used on all machines up to and including serial number listed.

(004321-005678) The part can be used on all machines between and including the serial numbers listed.

Where xxxxx's are listed in place of a serial number, it indicates a change was made but the exact serial number had not been established when the catalog went to press.

SI UNITS OF MEASURE (INTERNATIONAL SYSTEM)

Metric equivalents have been included, where applicable, throughout this parts catalog.

FASTENER STRENGTH IDENTIFICATION

Fasteners required to have high-strength qualities equivalent to SAE Grade 8 are identified throughout this catalog by the description GR 8. Unless identified by this description, all standard fasteners are SAE Grade 5.

(Specifications and design subject to change without notice.)

E-17 PARTS

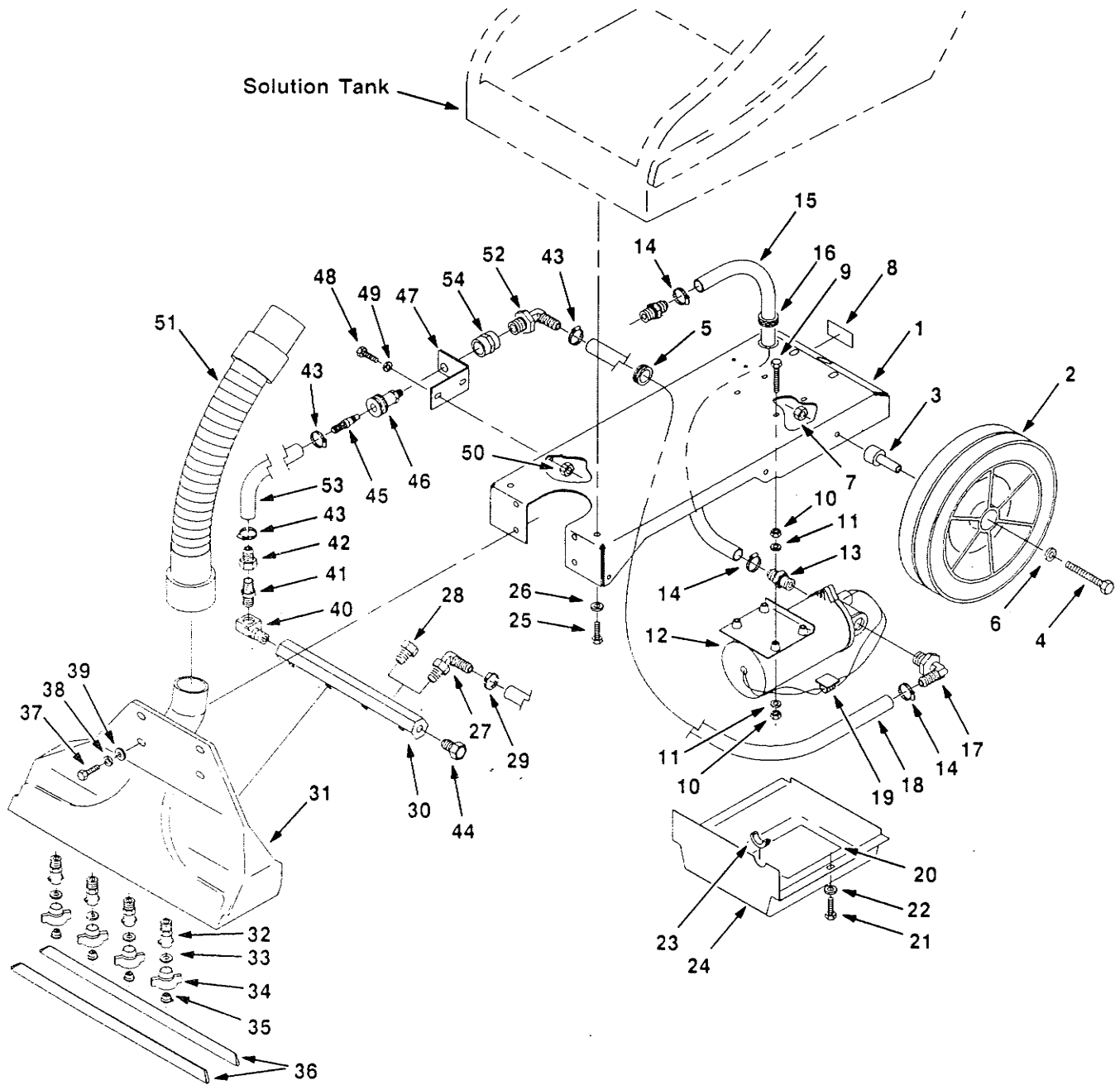


Fig. 1 - Main Frame and Water Group, E-17, E-17R, E-17P, E-17PR

06199

Key	Tennant Trend Part Number	Machine Serial Number	Description	Qty.
1	575-251-000	(000000-)	Frame	1
2	575-234-000	(000000-)	Wheels, 10" Dia.	2
3	575-252-000	(000000-)	Axle Spacer	2
4	575-544-000	(000000-)	Screw, Hex Hd, M8 X 80MM, DIN933, ZP	2
5	578-009-000	(000000-)	Grommet, .50"ID, 1.06"OD	1

E-17 PARTS

Key	Tennant Trend Part Number	Machine Serial Number	Description	Qty.
6	200-313-012	(000000-)	Washer, Flat, 8.4MM	4
7	200-160-017	(000000-)	Nut, Hex Lock, M08	2
8	575-337-000	(000000-)	Decal, Data Plate	1
9	575-323-000	(000000-)	Screw, Hex Hd, M05 X 30	4
10	200-160-015	(000000-)	Nut, Hex Lock, M05	8
11	200-315-016	(000000-)	Washer, Flat, 5.3MM, 15.0, 1.6	8
12	575-363-000	(000000-)	Motor, Pump, E-500 (See E-17 Breakdowns)	1
13	575-229-000	(000000-)	Connector, Anchor, 0.25"NPT	1
14	575-500-000	(000000-)	Clamp, Hose, Ideal, 62606, .31-.89	3
15	575-501-000	(000000-)	Hose, 0.38"ID, 700MM, Braided Vin	1
16	575-505-000	(000000-)	Grommet, .68"ID, 1.43"OD	1
17	059-650-128	(000000-)	Fitting, Elbow, 0.38"Hose, 0.38NPT	1
18	575-504-000	(000000-)	Hose, 0.375"ID, 0.50"OD, 470MM, Black	1
19	059-650-318	(000000-)	Clip, Cable, Quick Lock	1
20	575-343-000	(000000-)	Decal, Wiring	1
21	039-706-105	(000000-)	Screw, S-Tap, #10, 0.50	2
22	200-370-016	(000000-)	Washer, Lock, Int, 0.3ID, D6797	2
23	575-557-000	(000000-)	Grommet, 0.362"ID, 0.87"OD	1
24	575-293-000	(000000-)	Cover, Pump	1
25	200-031-486	(000000-)	Screw, Hex Hd, M08 X 16MM	4
26	069-760-079	(000000-)	Washer, Plain, Ansi-A, .31"WD, ZP	4
27	059-650-136	(000000-)	Fitting, Elb, 0.38" Hose, (E-17P, E-17PR only)	1
28	575-318-000	(000000-)	Plug-Pipe, Hex 1/4NPT (E-17, E-17R only)	1
29	575-500-000	(000000-)	Clamp, Hose, Ideal, (E-17P, E-17PR only)	1
30	575-278-000	(000000-)	Manifold	1
31	575-236-000	(000000-)	Shoe, Water Pickup	1
32	575-281-000	(000000-)	Body, Quick-Jet	4
33	575-276-000	(000000-)	Gasket, Quick-Jet	4
34	575-282-000	(000000-)	Cap, Quick-Jet	4
35	575-516-000	(000000-)	Nozzle, Spray, Brass 110015 (E-17P, E-17PR only)	4
35	575-283-000	(000000-)	Nozzle, Spray, Brass 11002 (E-17, E-17R only)	4
36	575-239-000	(000000-)	Glide, Vac Shoe	2
37	200-607-491	(000000-)	Screw, Hex Hd, M08 X 25MM, SS	4
38	575-533-000	(000000-)	Washer, Lock, SPG, 8.1MM, DIN127B	4
39	575-525-000	(000000-)	Washer, Flat, 8.4MM, 17, 1.6, D125A	4
40	575-518-000	(000000-)	Elbow, Street, 3/8"NPT X 90	1
41	575-217-000	(000000-)	Check Valve	1
42	575-522-000	(000000-)	Fitting, Str. 3/8 Fem X 3/8"Hose	1
43	059-650-324	(000000-)	Clamp, Hose, 1/4"	3
44	575-318-000	(000000-)	Plug-Pipe, Hex 1/4"NPT	1
45	575-521-000	(000000-)	Fitting, Quick Conn, 3/8" NPT	1
46	575-520-000	(000000-)	Quick Connect, .375" Barb	1
47	575-265-000	(000000-)	Angle, Coupling Mount	1
48	200-031-436	(000000-)	Screw, Hex Hd, M06 X 16MM	2
49	069-760-090	(000000-)	Washer, Plain, Ansi-A #12 Wide, Z	2
50	200-160-016	(000000-)	Nut, Hex Lock, M06	2
51	575-235-000	(000000-)	Vac Hose	1
52	059-650-136	(000000-)	Fitting, Elb, 0.38" Hose, 0.25"NPT	1
53	575-512-000	(000000-)	Hose, 0.375"ID, 0.50"OD, 140MM, Black	1
54	578-215-000	(000000-)	Connector, Anchor, 0.25"NPT	1

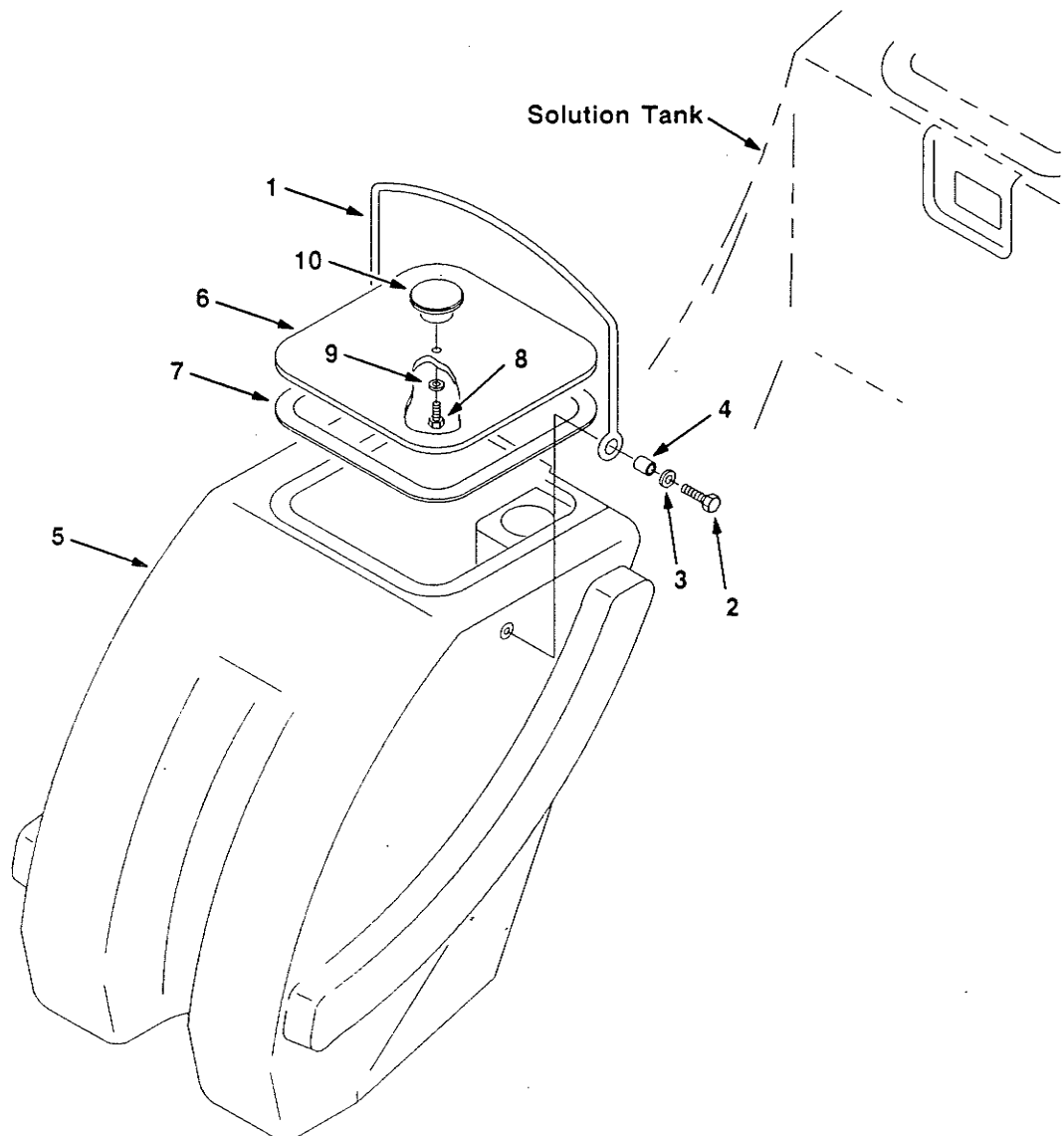


Fig. 2 - Non-Recycle Recovery Tank Group, E-17, E-17P

06191

Fig. 2 - Non-Recycle Recovery Tank Group, E-17, E-17P

Key	Tennant Trend Part Number	Machine Serial Number	Description	Qty.
1	575-220-000	(000000-)	Tank Handle	1
2	575-029-000	(000000-)	Screw, Pan Hd, Phil, M8 X 20MM, SS	2
3	575-525-000	(000000-)	Washer, Flat, 8.4MM, 17, 1.6, D125A	2
4	575-524-000	(000000-)	Washer, Nylon, .62, .39, .26	2
5	575-403-000	(000000-)	Tank, Recovery Pail	1
6	575-393-000	(000000-)	Cover, Recovery Tank Assy	1
7	575-224-000	(000000-)	Gasket, Recovery Tank Cover	1
8	578-235-000	(000000-)	Screw, Pan Hd, Phil, .25 - 20, .75SS	1
9	059-650-283	(000000-)	Washer, Flat, 6.4MM, 18.0, 1.6, SS	1
10	578-032-000	(000000-)	Knob, Fill Cover	1

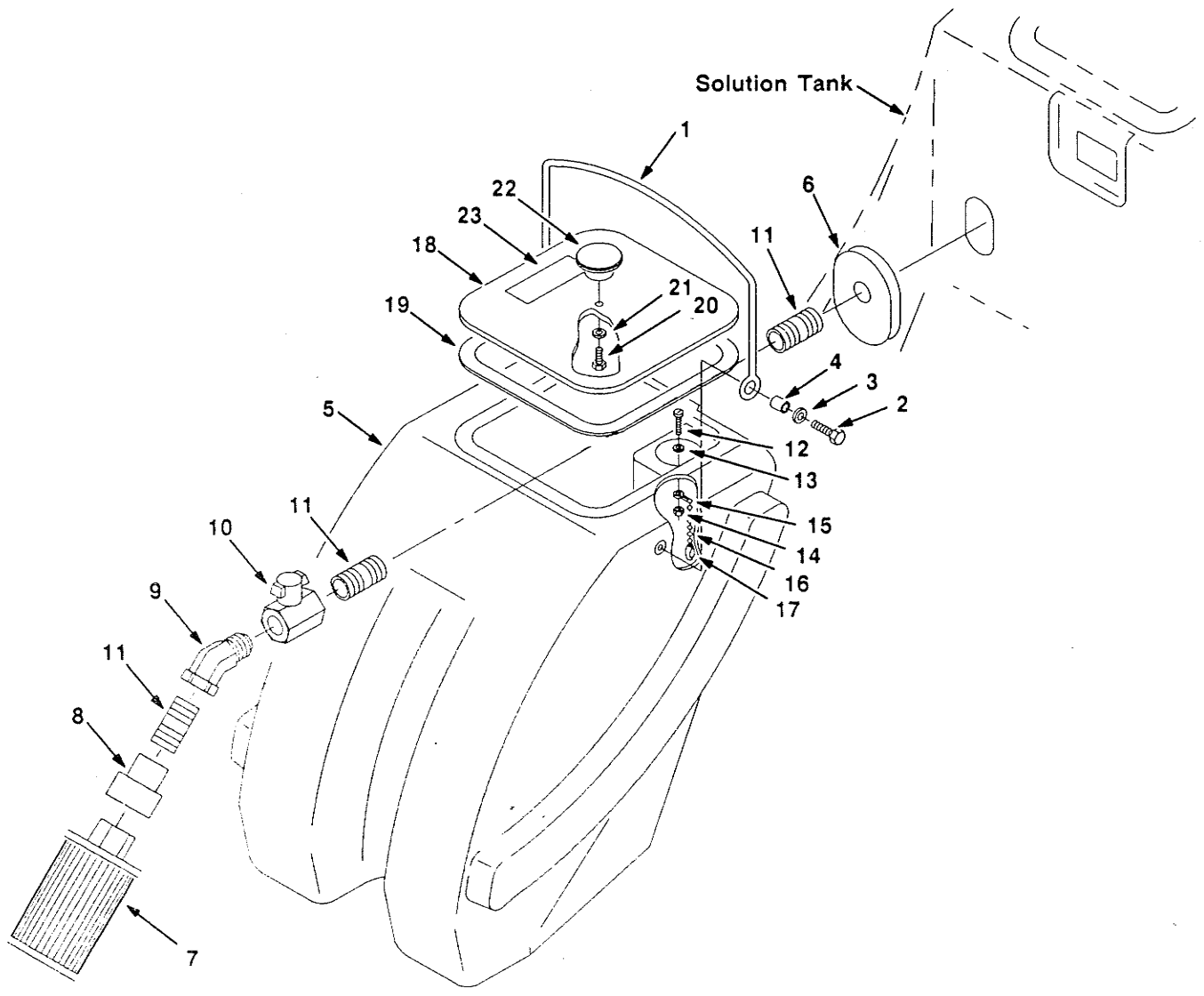


Fig. 3 - Recycle Recovery Tank Group, E-17R, E-17PR

06192

Fig. 3 - Recycle Recovery Tank Group, E-17R, E-17PR

Key	Tennant Trend Part Number	Machine Serial Number	Description	Qty.
1	575-220-000	(000000-)	Tank Handle	1
2	575-029-000	(000000-)	Screw, Pan Hd, Phil, M8 X 20MM, SS	2
3	575-525-000	(000000-)	Washer, Flat, 8.4MM, 17, 1.6, D125A	2
4	575-524-000	(000000-)	Washer, Nylon, .62, .39, .26	2
	575-400-000	(000000-)	Tank, Recovery Pail Assy	1
5	575-401-000	(000000-)	Tank, Recovery Pail Assy	1
6	575-228-000	(000000-)	Seal, Water	1
7	578-014-000	(000000-)	Filter, SRS, 100 Mesh	1
8	575-545-000	(000000-)	Bushing, Reducer - PVC	1
9	575-232-000	(000000-)	Street Elbow 45Deg 1/2NPT	1
10	575-340-000	(000000-)	Valve, Ball 1/2NPT	1
11	575-535-000	(000000-)	Fitting, Nipple, .50"NPT X 1.5"	3
12	200-613-384	(000000-)	Screw, Fill Hd, Slot, M5, 14MM, SS	1
13	575-541-000	(000000-)	Washer, Flat 5.3MM, 10, 1.0, D125A	1
14	575-540-000	(000000-)	Nut, Hex Jam, M5, DIN439B, AISI316	1
15	575-536-000	(000000-)	End Coupling, Chain, #10	1
16	575-537-000	(000000-)	Chain, Ball, #10, SS	1
17	575-538-000	(000000-)	Spacing Link	1
18	575-389-000	(000000-)	Cover, Recovery Tank Assy	1
19	575-224-000	(000000-)	Gasket, Recovery Tank Cover	1
20	578-235-000	(000000-)	Screw, Pan Hd, Phil, .25 - 20, .75SS	1
21	059-650-283	(000000-)	Washer, Flat, 6.4MM, 18.0, 1.6, SS	1
22	578-032-000	(000000-)	Knob, Fill Cover	1
23	575-344-000	(000000-)	Label, Recycle	1

E-17 PARTS

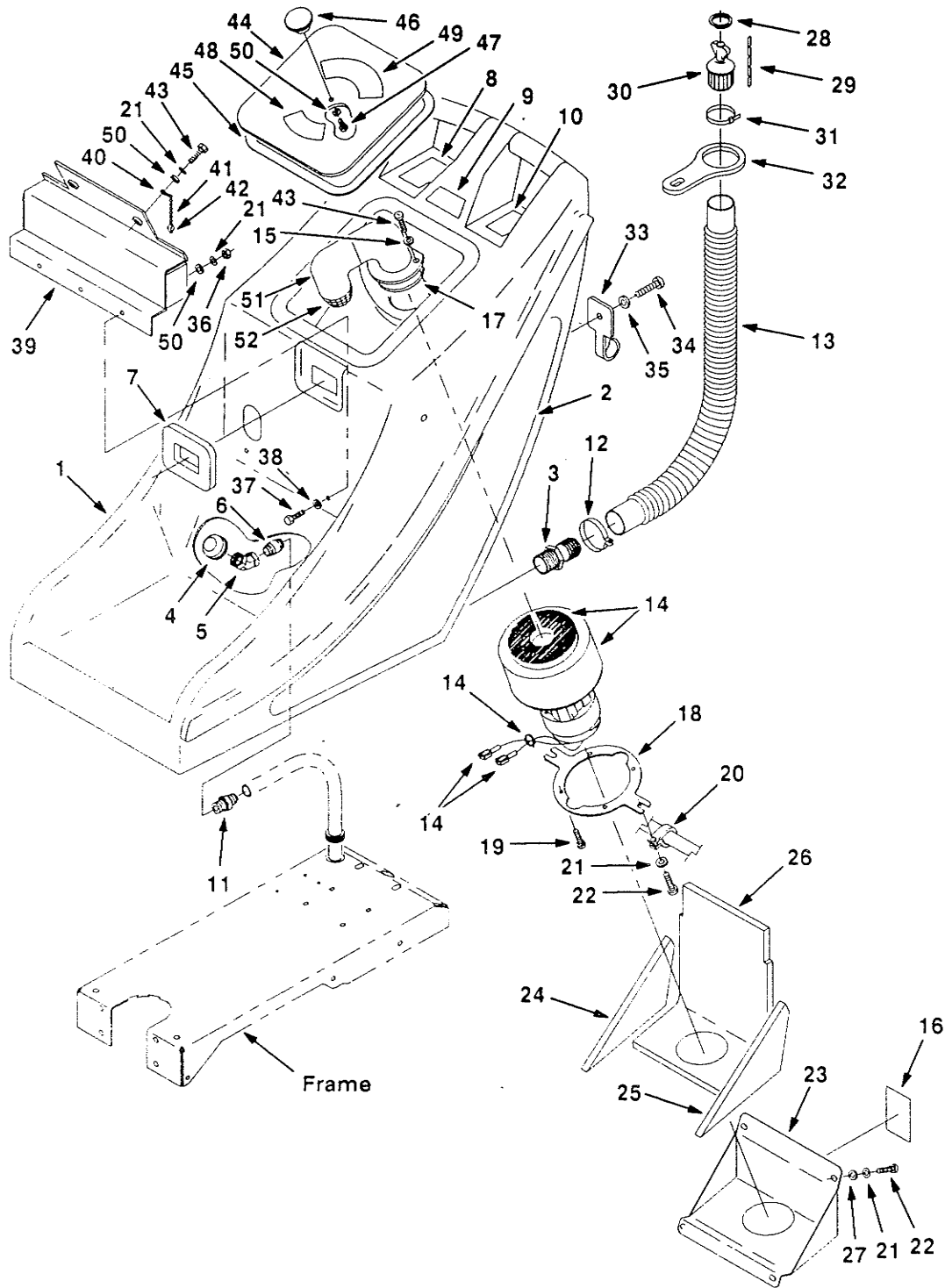


Fig. 4 - Solution Tank Group, E-17, E-17R, E-17P, E-17PR

06193

Key	Tennant Trend Part Number	Machine Serial Number	Description	Qty.
1	575-397-000	(000000-)	Tank, Solution Assy (E-17PR, only)	1
1	575-396-000	(000000-)	Tank, Solution Assy (E-17R, only)	1
1	575-395-000	(000000-)	Tank, Solution Assy (E-17P, only)	1
1	575-394-000	(000000-)	Tank, Solution Assy (E-17, only)	1
2	575-342-000	(000000-)	Decal, Side	1

E-17 PARTS

Key	Tennant Trend Part Number	Machine Serial Number	Description	Qty.
3	621-277-000	(000000-)	Fitting, Str, 1.5Hose X 1.25NPT	1
4	575-296-000	(000000-)	Filter, Pump	1
5	575-326-000	(000000-)	Fitting, 45Deg. Brass 3/8 X 3/8NPT	1
6	575-332-000	(000000-)	Fitting, Nipple, 3/8"NPT Close	1
7	575-250-000	(000000-)	Gasket, Tank Connection	1
8	578-229-000	(000000-)	Decal, Read Manual	1
9	575-510-000	(000000-)	Decal, Model, (E-17PR only)	1
9	575-509-000	(000000-)	Decal, Model, (E-17R only)	1
9	575-508-000	(000000-)	Decal, Model, (E-17 only)	1
9	575-507-000	(000000-)	Decal, Model, (E-17P only)	1
10	575-345-000	(000000-)	Decal, After Use	1
11	575-229-000	(000000-)	Adaptor, 3/8"NPT X 3/8"Hose	1
12	190-005-008	(000000-)	Clamp, Hose, Ideal 6428, 1.32 - 2.2	1
13	578-031-000	(000000-)	Hose, Drain	1
14	575-310-000	(000000-)	Vac Fan Assy (See E-17 Breakdowns)	1
15	575-541-000	(000000-)	Washer, Flat 5.3MM, 10, 1.0, D125A	1
16	578-268-000	(000000-)	Decal, 'Hazard Voltage'	1
17	575-561-000	(000000-)	O-Ring, 2"ID, .13 Thick	1
18	603-016-000	(000000-)	Bracket, Vac Motor	1
19	578-258-000	(000000-)	Screw, Pan, Phil, #10, .63"Lg., ZP	4
20	575-329-000	(000000-)	Clamp, Wire	1
21	200-662-017	(000000-)	Washer Lock, Int, 6.4ID, D6798	11
22	578-321-000	(000000-)	Screw, Pan Hd, Phil, M6 X 16MM	6
23	575-390-000	(000000-)	Cover, Vac Fan Assy	1
24	575-248-000	(000000-)	Sound Foam	1
25	575-247-000	(000000-)	Sound Foam	1
26	575-249-000	(000000-)	Sound Foam	1
27	200-315-017	(000000-)	Washer, Flat, 6.4MM, 18.0, 1.5	4
28	621-243-000	(000000-)	Ring, Chain	1
29	039-706-113	(000000-)	Chain, Drain Plug B100563	1
30	621-324-000	(000000-)	Plug, Expansion 1-5 Dia Nylon	1
31	282-001-008	(000000-)	Wire Tie, Self Lock, 3.5 X 292	1
32	575-503-000	(000000-)	Strap, Hose Drain	1
33	575-502-000	(000000-)	Clip, Hose Drain	1
34	200-051-384	(000000-)	Screw, Pan Hd, Slot, M5 X 14MM	1
35	059-650-274	(000000-)	Washer, Flat, 5.3MM, 15.0, 1.6, SP	1
36	200-634-016	(000000-)	Nut, Hex, M6, SS	3
37	200-609-438	(000000-)	Screw, Hex Hd, M6 X 20MM, SS	3
38	575-010-000	(000000-)	Washer, Sealing Dia 18.5 X 9.0	3
39	575-511-000	(000000-)	Baffle, Solution Tank	1
40	575-536-000	(000000-)	End Coupling, Chain, #10	1
41	575-537-000	(000000-)	Chain, Ball, #10, SS	1
42	575-538-000	(000000-)	Spacing Link	1
43	200-613-384	(000000-)	Screw, Fill Hd, Slot, M5, 14MM, SS	3
44	575-388-000	(000000-)	Cover, Solution Tank Assy, (E-17R, E-17PR only)	1
44	575-506-000	(000000-)	Cover, Solution Tank Assy, (E-17, E-17P only)	1
45	575-222-000	(000000-)	Gasket, Solution Tank Cover	1
46	578-032-000	(000000-)	Knob, Fill Cover	1
47	578-235-000	(000000-)	Screw, Pan Hd, Phil, .25 - 20, .75SS	1
48	575-514-000	(000000-)	Decal, Sol. Tank, "Fill", (E-17R, E-17PR only)	1
48	578-222-000	(000000-)	Decal, Sol. Tank, "Fill", (E-17, E-17P only)	1
49	578-267-000	(000000-)	Decal, 'Flammable Material'	1
50	059-650-283	(000000-)	Washer, Flat, 6.4MM, 18.0, 1.6, SS	6
51	575-411-000	(000000-)	Vac Inlet Elbow	1
52	575-246-000	(000000-)	Screen, Vacuum Inlet	1

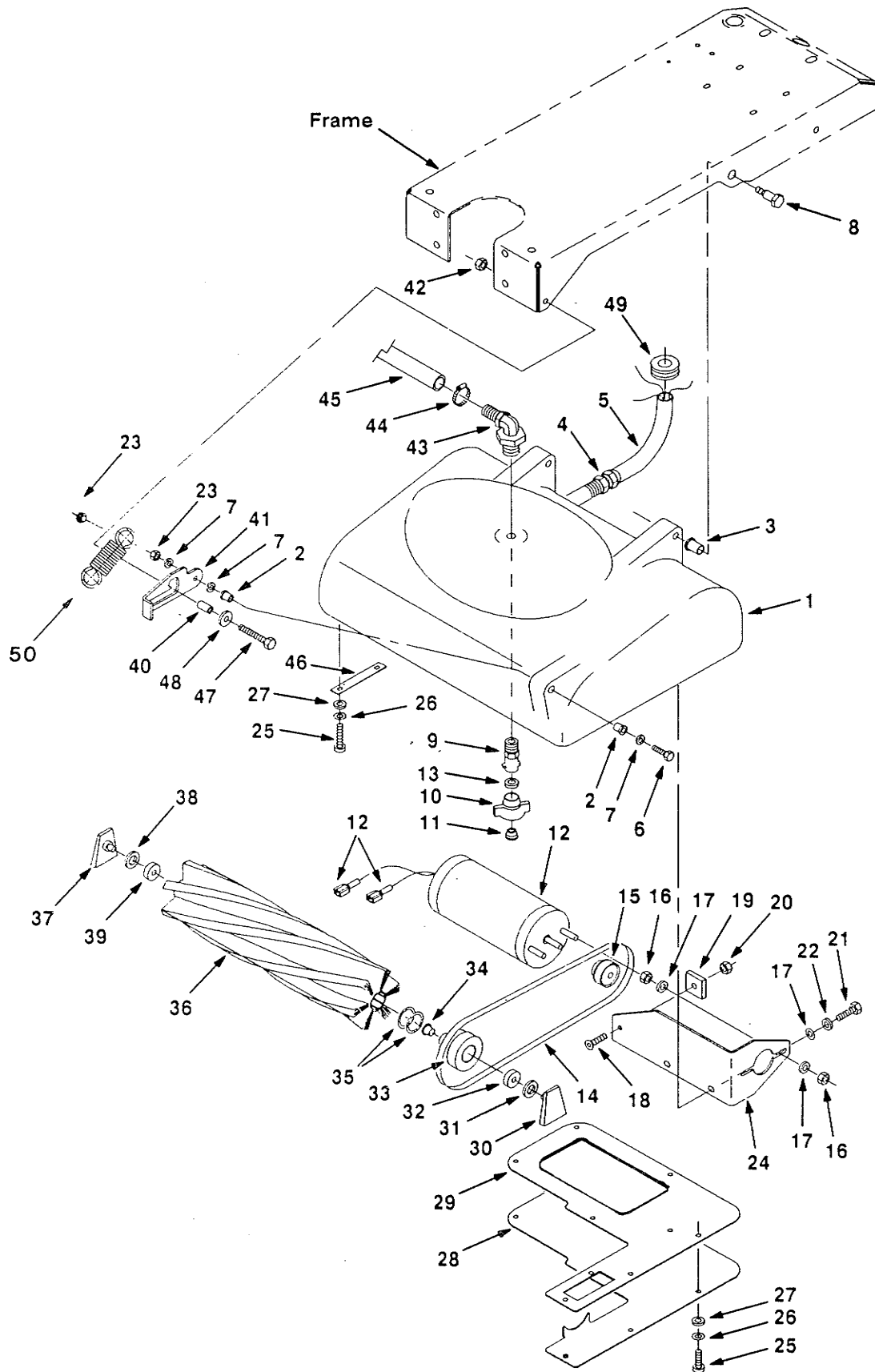


Fig. 5 - Powerbrush Group, E-17P, E-17PR

06196

Fig. 5 - Powerbrush Group, E-17P, E-17PR

Key	Tennant Trend Part Number	Machine Serial Number	Description	Qty.
1	575-385-000	(000000-)	Housing, Brush Assy	1
2	575-542-000	(000000-)	Bearing, Flange, 0.38"OD, 0.25"ID	2
3	069-764-064	(000000-)	Bearing Flange, .38ID, .50OD, Oil	2
4	575-322-000	(000000-)	Fitting, Liquid Tight 3/8NPT	1
5	575-304-000	(000000-)	Harness, 3 Wire	1
6	575-543-000	(000000-)	Screw, Hex Hd, M06 X 45, DIN 931	1
7	200-304-017	(000000-)	Washer, Flat, 6.4MM, 13.0, 1.6	3
8	069-762-321	(000000-)	Screw, Shoulder, 5/16" X 3/8" X 1	2
9	575-281-000	(000000-)	Body, Quick-Jet	1
10	575-571-000	(000000-)	Cap, Quick-Jet	1
11	575-568-000	(000000-)	Tip, TQ150-02 Quick-Jet	1
12	575-372-000	(000000-)	Motor, Brush Assy (See E-17 Breakdowns)	1
13	575-276-000	(000000-)	Gasket, Quick-Jet	1
14	575-261-000	(000000-)	Belt	1
15	575-259-000	(000000-)	Motor Sheave	1
16	069-760-086	(000000-)	Nut, Hex, #10 - 32UNF	4
17	069-760-090	(000000-)	Washer, Plain, Ansi-A #12 Wide, Z	6
18	069-764-140	(000000-)	Screw, Flat Hd, Phil M05, 16MM, B	1
19	578-083-000	(000000-)	Bridge Rectifier	1
20	575-540-000	(000000-)	Nut, Hex Lock, M05	1
21	200-031-433	(000000-)	Screw, Hex Hd, M06 X 12MM	2
22	069-777-319	(000000-)	Washer, Loc, Int., .25 T32982	2
23	200-160-016	(000000-)	Nut, Hex Lock, M06	2
24	575-256-000	(000000-)	Angle Motor Mount	1
25	200-630-342	(000000-)	Screw, Fill Hd, Phil M04, 10MM, SS	10
26	575-539-000	(000000-)	Washer, Lock, Int, 4.1ID, DIN6797	10
27	200-785-014	(000000-)	Washer, Flat, 4.3MM, 9.0, 0.8, BR	10
28	575-383-000	(000000-)	Plate, Base Assy	1
29	575-273-000	(000000-)	Gasket, Floor Plate	1
30	575-392-000	(000000-)	Pully, Brush Assy	1
31	575-266-000	(000000-)	Brush Seal	1
32	575-263-000	(000000-)	Brush Bearing	1
33	575-264-000	(000000-)	Bearing Mount	1
34	575-269-000	(000000-)	Cap Plug	1
35	575-267-000	(000000-)	Wavy Washer	2
36	575-387-000	(000000-)	Brush Assy	1
37	575-264-000	(000000-)	Bearing Mount	1
38	575-266-000	(000000-)	Brush Seal	1
39	575-263-000	(000000-)	Brush Bearing	1
40	575-316-000	(000000-)	Spacer, 7/16OD X 1.85Long	1
41	575-314-000	(000000-)	Angle, Head Lift	1
42	069-777-303	(000000-)	Nut, Hex Lock, .31 - 18UNC, NYL. INS	1
43	059-650-136	(000000-)	Fitting, Elb, 0.38"Hose, 0.25"NPT	1
44	575-500-000	(000000-)	Clamp, Hose, Ideal, 62606,.31-.89	1
45	575-515-000	(000000-)	Hose, .375"ID,.50"OD,Black, 190MM	1
46	575-268-000	(000000-)	Strap, Bearing Retainer	1
47	575-546-000	(000000-)	Screw Hex Hd, .31 - 18UNC X 2.25"	1
48	069-760-079	(000000-)	Washer, Plain, Ansi-A, .31"WD, ZP	1
49	578-209-000	(000000-)	Strain Relief, Mtr Leads	1
50	575-570-000	(000000-)	Spring, Ext, 38.1, 12.7, 1.04	1

E-17 PARTS

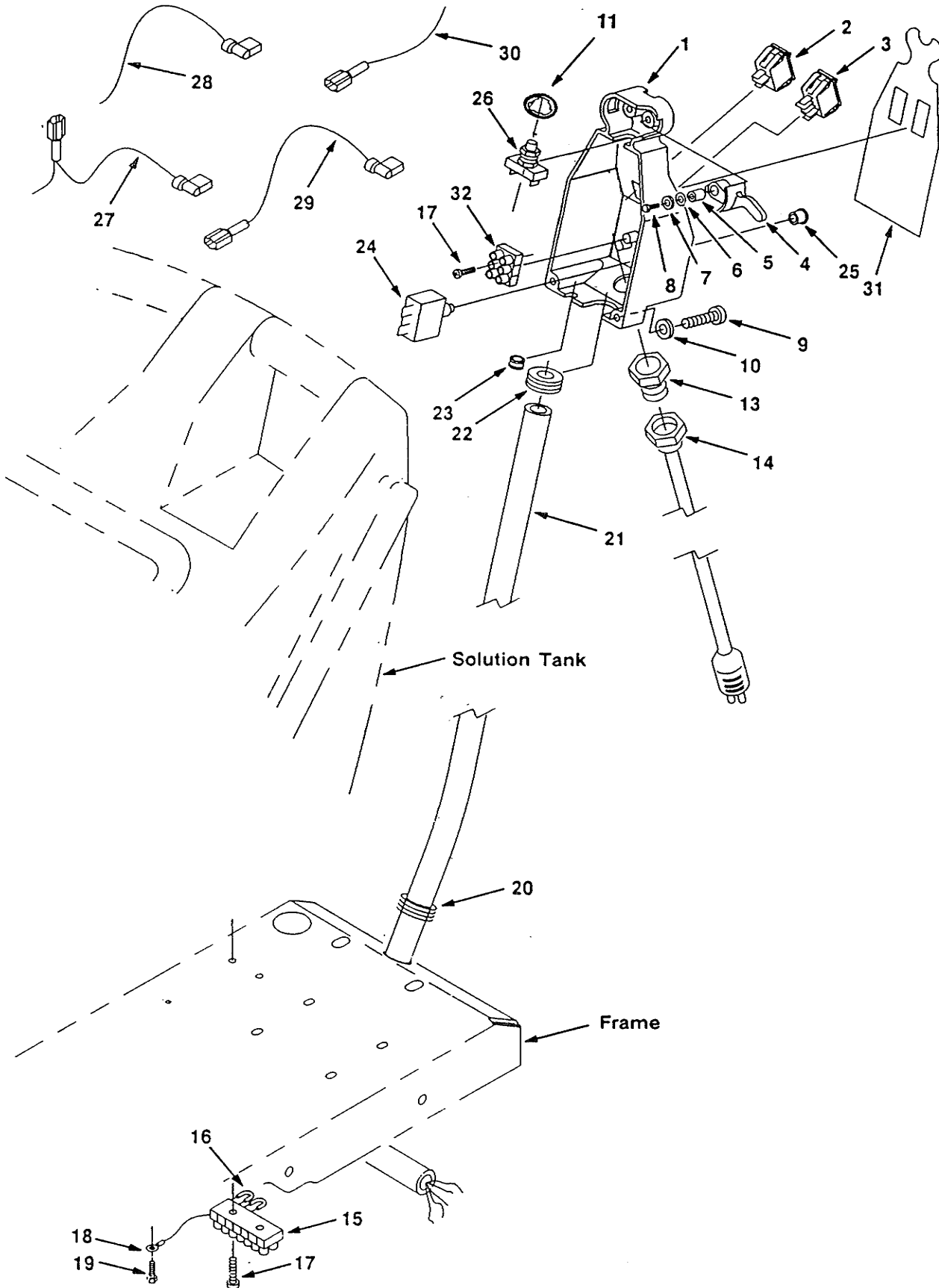


Fig. 6 - Electrical Panel, E-17, E-17R, E-17P, E-17PR

06198

Fig. 6 - Electrical Panel, E-17, E-17R, E-17P, E-17PR

Key	Tennant Trend Part Number	Machine Serial Number	Description	Qty.
1	578-001-000	(000000-)	Cover Console	1
2	575-300-000	(000000-)	Switch, Rocker SPDT	1
3	578-005-000	(000000-)	Switch, Rocker 1Pit	1
4	578-002-000	(000000-)	Arm Trigger	2
5	578-082-000	(000000-)	Spacer, Trigger	2
6	578-186-000	(000000-)	Washer, Flat, 4.3 X 12 X 1.0, ZP	2
7	200-662-012	(000000-)	Washer, Lock, Int, 3.2ID, D6798	2
8	069-764-190	(000000-)	Screw, Hex Hd, M03 X 16	2
9	578-008-000	(000000-)	Screw Pan Hd M5 X 31.3	2
10	200-370-016	(000000-)	Washer, Lock, Int, 5.3ID, D6797	2
11	200-413-049	(000000-)	Spring, Disc, Dia 23MM X 1.25MM	1
13	578-079-000	(000000-)	Strain Relief, Pigtail	1
14	578-023-000	(000000-)	Cord Set	1
15	578-013-000	(000000-)	Terminal Block, & pin, Low Prof	1
16	578-259-000	(000000-)	Wire, Jumper, 16Ga, 60MM, Green	2
17	578-011-000	(000000-)	Screw 6 Type 3 Panhd Self Tap	4
18	575-513-000	(000000-)	Ground Wire Assy	1
19	039-700-079	(000000-)	Screw, F, Hex Slot, #10, 0.38, ZP	1
20	578-210-000	(000000-)	Strain Relief, Mtr Frame	1
21	575-303-000	(000000-)	Harness, 5 Wire (E-17P, E-17PR only)	1
21	575-517-000	(000000-)	Harness, 5 Wire (E-17, E-17R only)	1
22	578-009-000	(000000-)	Grommet, .50"ID, 1.06"OD	1
23	578-080-000	(000000-)	Grommet, 0.19"ID, 0.31"GRV Dia.	1
24	578-004-000	(000000-)	Circuit Breaker, 3 AMP (E-17P, E-17PR only)	1
25	602-007-000	(000000-)	Plug, Button, 0.375"Dia (E-17, E-17R only)	1
26	069-762-390	(000000-)	Switch, Pushbutton, SPNO	1
27	575-305-000	(000000-)	Wire Assy, Console	1
28	575-306-000	(000000-)	Wire Assy, Acc Switch	1
29	575-308-000	(000000-)	Wire Assy, Vac Switch	1
30	575-309-000	(000000-)	Wire Assy, Vac Motor	1
31	575-333-000	(000000-)	Decal, Console (E-17P, E-17PR only)	1
31	575-528-000	(000000-)	Decal, Console (E-17, E-17R only)	1
32	578-007-000	(000000-)	Terminal Block 3 position	1

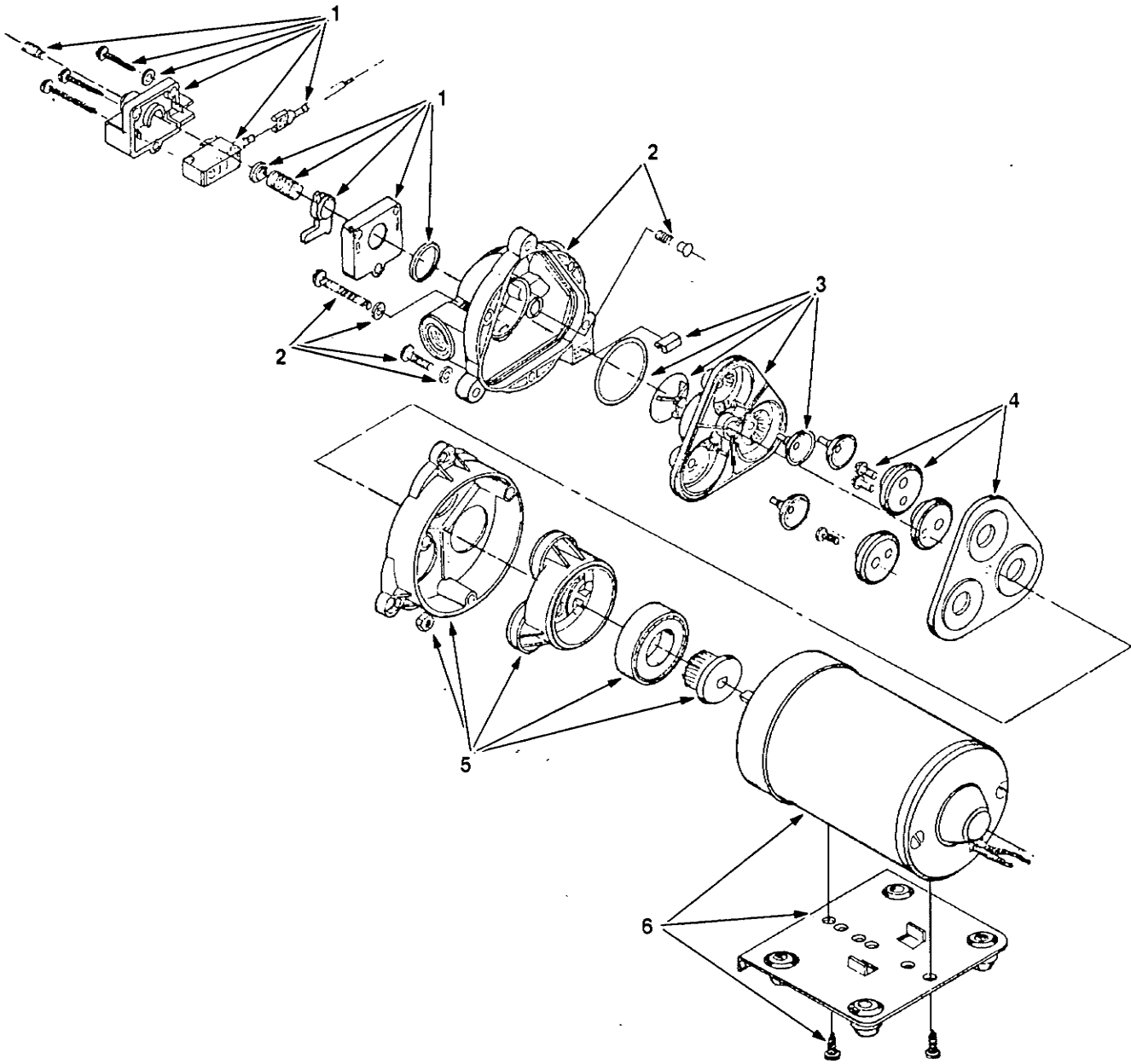


Fig. 7 - Motor Pump

06610

Key	Tennant Trend Part Number	Machine Serial Number	Description	Qty.
	575-363-000	(000000-)	Pump Motor Assy	1
1	575-364-000	(000000-)	Switch Assy - 100 PSI	1
2	575-365-000	(000000-)	Upper Housing - Female NPT - Nylon	1
3	575-366-000	(000000-)	Valve Assy - EPDM	1
4	578-810-000	(000000-)	Diaphragm Kit - Santoprene	1
5	575-368-000	(000000-)	Lower Housing - Drive Assy 3.0	1
6	575-369-000	(000000-)	Motor - 115 Vac	1
	578-814-000	(000000-)	Rectifier Kit (Not Shown)	1

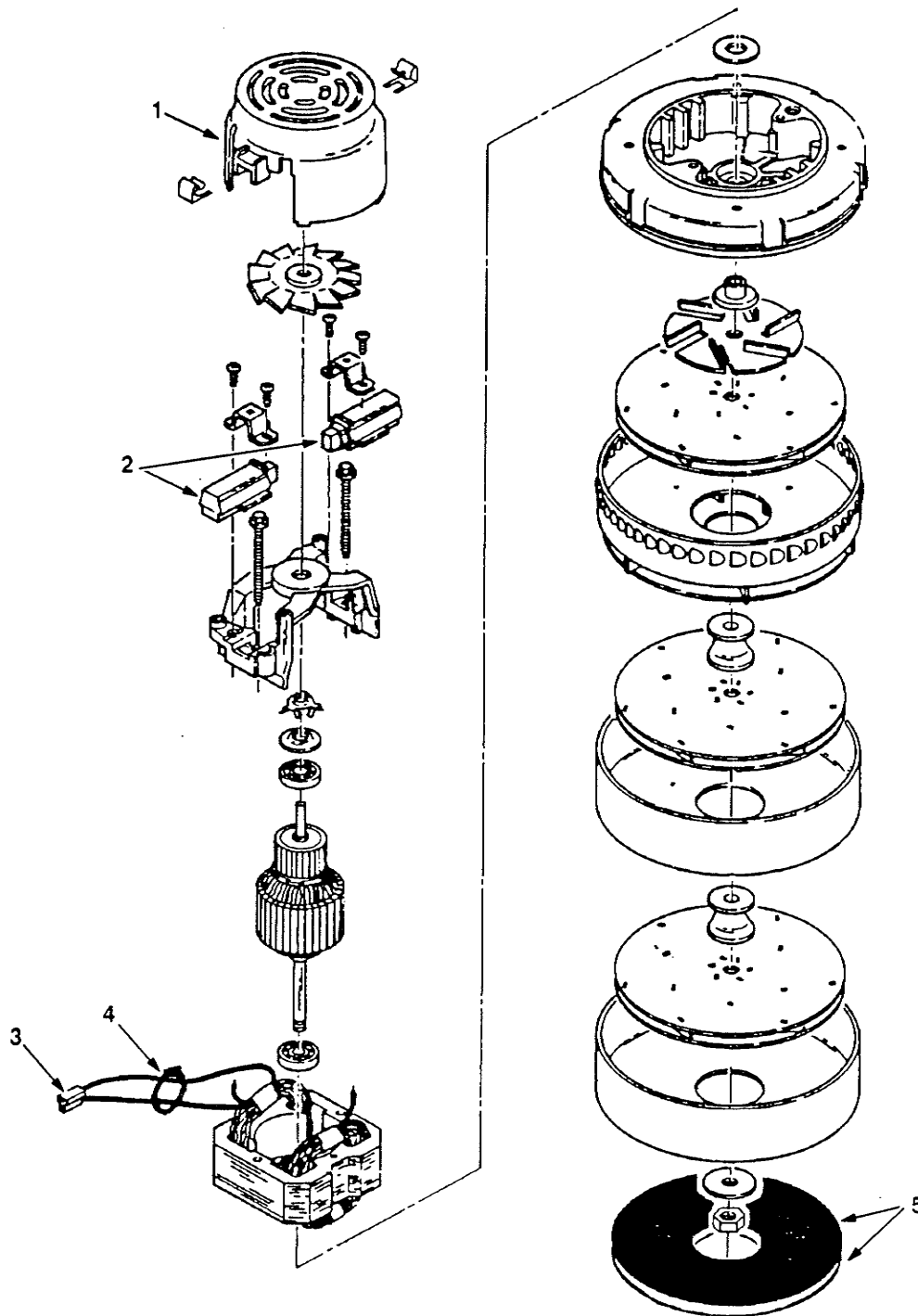


Fig. 8 - Vacuum Fan

06609

Key	Tennant Trend Part Number	Machine Serial Number	Description	Qty.
	575-310-000	(000000-)	Vacuum Fan Assy	1
1	575-382-000	(000000-)	Cover, Vac Fan Motor	1
2	575-381-000	(000000-)	Brush, Vac Fan Motor	2
3	281-005-002	(000000-)	Term, QC, .25M, 14/16, 3-520107-2	2
4	282-001-001	(000000-)	Wire Tie, Self-Lock, 2.5 X 98	1
5	069-764-111	(000000-)	Gasket, Foam, 102OD, 38ID, 9.5	2

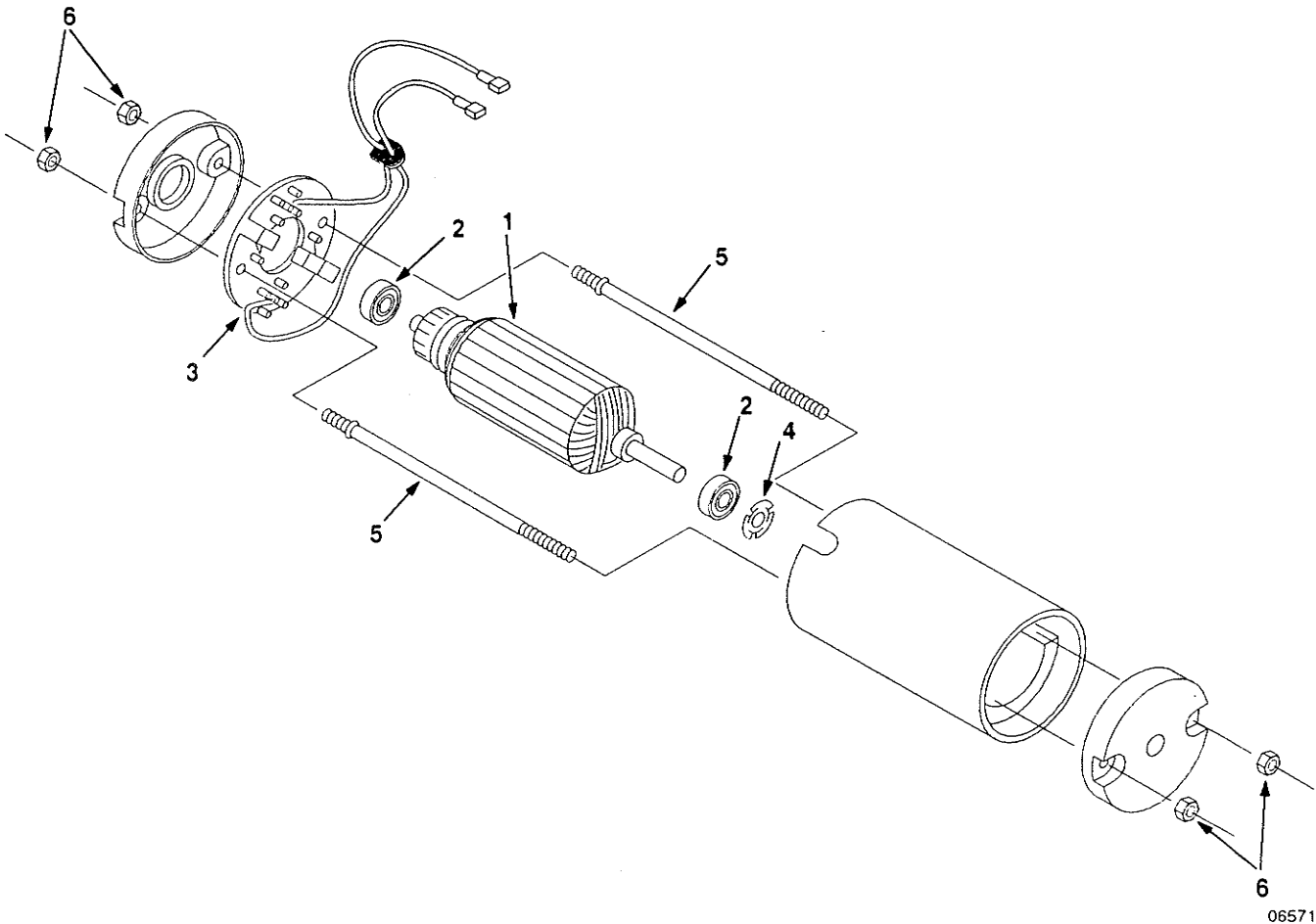


Fig. 9 - Brush Motor

06571

Key	Tennant Trend Part Number	Machine Serial Number	Description	Qty.
	575-372-000	(000000-)	Brush Motor Assy	1
1	575-373-000	(000000-)	Armature, With Bearing	1
2	575-374-000	(000000-)	Bearing	2
3	575-375-000	(000000-)	Brush Holder Assy	1
4	575-378-000	(000000-)	Washer, Thrust	1
5	575-379-000	(000000-)	Bolt, Through	2
6	575-380-000	(000000-)	Nut	4

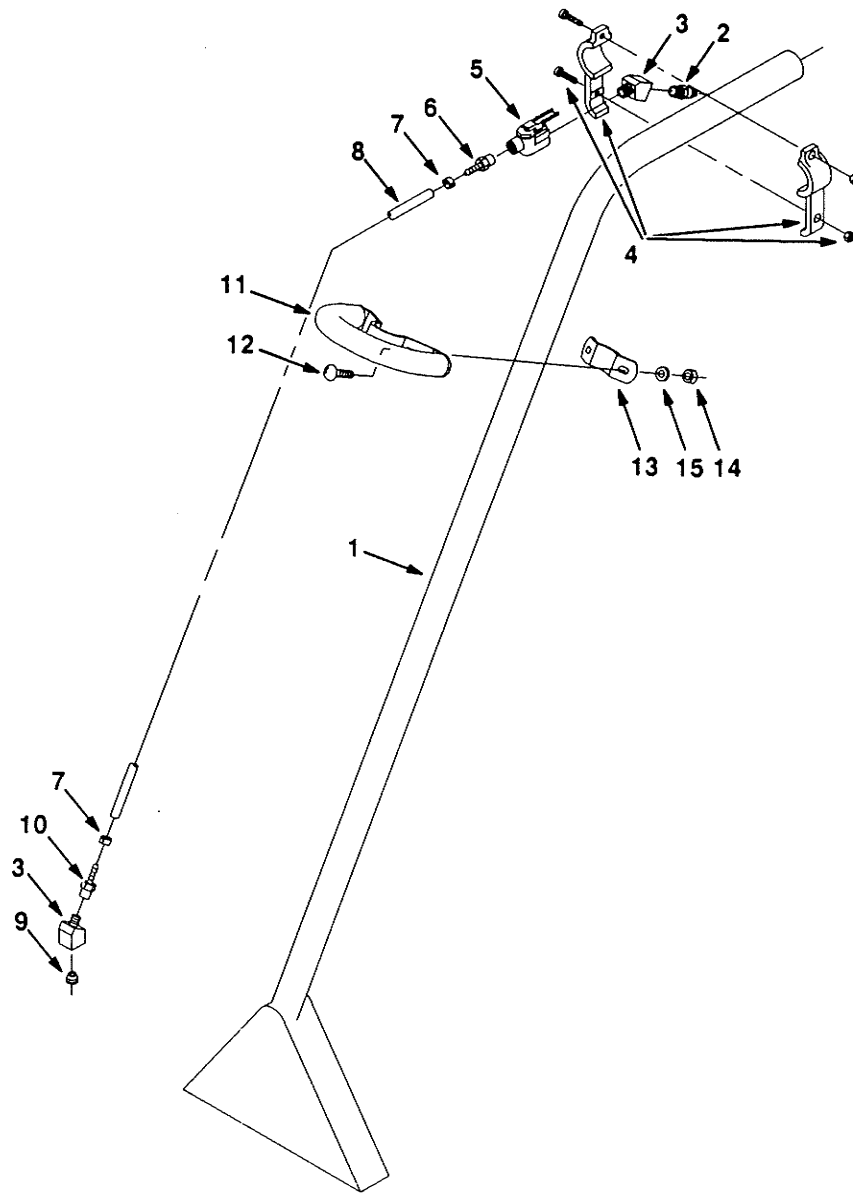


Fig. 10 - Carpet Wand

06194

Key	Tennant Trend Part Number	Machine Serial Number	Description	Qty.
1	575-905-000	(000000-)	Carpet Wand Assy	1
2	578-091-000	(000000-)	Plug, Quick Conn, 1/4"MPT	1
3	059-650-219	(000000-)	Elbow, Street, 1/4"MPT X 45Deg.	2
4	578-077-000	(000000-)	Bracket, Valve Mounting Wand	1
5	578-064-000	(000000-)	Valve, Water Control	1
6	578-094-000	(000000-)	Fitting, Hose Barb, 1/4" X 1/4"NPT	1
7	578-160-000	(000000-)	Clamp, Hose, 11-13MM OD, Crimp	2
8	575-523-000	(000000-)	Hose, 0.25"ID, 0.44"OD, Reinforced	1
9	575-529-000	(000000-)	Tip, Spray 11010, Quick-Jet	1
10	575-526-000	(000000-)	Fitting, Hose Barb, 1/4" X 1/4"FPT	1
	578-904-000	(000000-)	Handle, Assy	1
11	578-155-000	(000000-)	Handle, Wand	1
12	578-211-000	(000000-)	Screw, Car, .25-20unc, .75", ZP	2
13	578-154-000	(000000-)	Bracket, Handle, Wand	1
14	578-323-000	(000000-)	Nut, Hex Lock, .25 - 20UNC, Nylon INS	2
15	200-304-017	(000000-)	Washer, Flat, 6.4MM, 13.0, 1.6	3

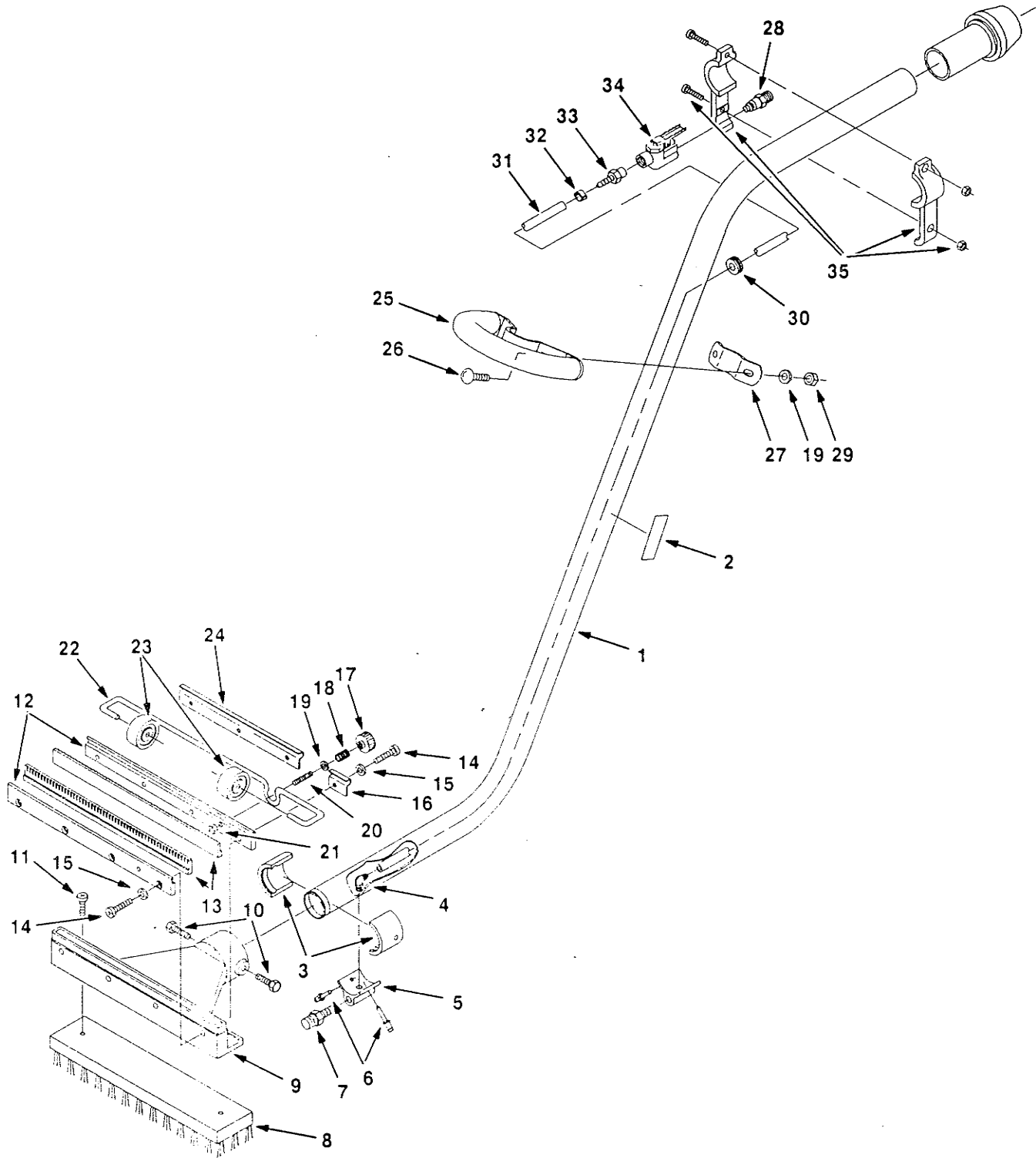


Fig. 11 - Hard Floor Wand

06459

Fig. 11 - Hard Floor Wand

Key	Tennant Trend Part Number	Machine Serial Number	Description	Qty.
1	578-060-000	(000000-)	Wand Assy, Double Bend, Dia 38.1MM	1
2	210-002-001	(000000-)	Label, I.D.	1
3	578-061-000	(000000-)	Adapter, Head/Wand	2
4	578-214-000	(000000-)	Fitting, Elbow, 0.25"Hose, 0.12"NPT	1
5	578-067-000	(000000-)	Adapter, Spray Nozzle	1
6	602-036-000	(000000-)	Rivet, Pop, S-2500 Driveblock	2
7	578-066-000	(000000-)	Spray Nozzle, .125" NPT, 75 Deg.	1
8	578-073-000	(000000-)	Brush, Wand Attachment	1
9	578-063-000	(000000-)	Head, Wand	1
10	039-708-224	(000000-)	Screw, Truss, Phil, .25-20, 0.5", Z	2
11	621-336-000	(000000-)	Screw, S-Tap #10-16 X 3/4"Philips	2
12	578-078-000	(000000-)	Retainer, Squeegee Wand	2
13	578-074-000	(000000-)	Blade, Squeegee Wand	2
14	578-141-000	(000000-)	Screw, Pan Hd., Phil, M5 X 10MM Lg., SS	8
15	200-370-016	(000000-)	Washer, Lock, Int, 0.53ID	8
16	578-124-000	(000000-)	Bracket, Axle, 1-Hole	1
17	203-030-010	(000000-)	Nut, Thumb, M06 X Dia 30MM	1
18	578-228-000	(000000-)	Spring, Compression, .63", .42", .04	1
19	200-304-017	(000000-)	Washer, Flat, 6.4MM, 13.0, 1.6	3
20	578-143-000	(000000-)	M6, 40mm Lg., Adjust. Stud	1
21	578-145-000	(000000-)	Jam Nut, M6	1
22	578-126-000	(000000-)	Axle, Wand	1
23	578-125-000	(000000-)	Wheel, Guide, Wand	2
24	578-123-000	(000000-)	Bracket, Axle, 3-Hole	1
25	578-155-000	(000000-)	Handle, Wand	1
26	578-211-000	(000000-)	Screw, Car, .25-20unc, .75", ZP	2
27	578-154-000	(000000-)	Bracket, Handle, Wand	1
28	578-091-000	(000000-)	Male Quick-Conn., 1/4"NPT	1
29	578-323-000	(000000-)	Nut, Hex Lock, .25-20UNC, Nyl. INS	2
30	578-164-000	(000000-)	Grommet, .38"ID. .63"OD, .06"OW	1
31	578-821-000	(000000-)	Hose, Solution, Wand	1
32	578-161-000	(000000-)	Clamp, Hose, 8-11MM OD, Crimp	2
33	578-094-000	(000000-)	1/4 Hosebarb, 3/8NPT Male Pipe	1
34	578-064-000	(000000-)	Valve, Water Control, Wand	1
35	578-077-000	(000000-)	Bracket, Valve Mounting, Wand	1

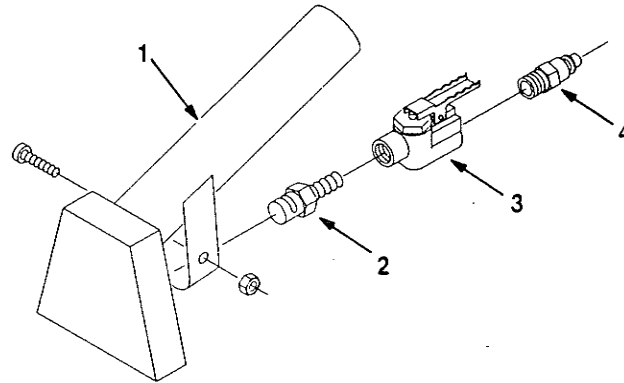


Fig. 12 - Upholstery Tool

06195

Key	Tennant Trend Part Number	Machine Serial Number	Description	Qty.
1	575-906-000	(000000-)	Upholstery Tool Assy	1
2	575-519-000	(000000-)	Nozzle	1
3	578-064-000	(000000-)	Valve, Water Control	1
4	578-091-000	(000000-)	Plug, Quick Connect, 1/4" MPT	1

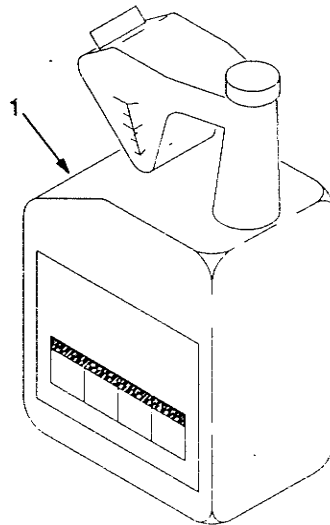


Fig. 13 - Detergents

06614

Key	Tennant Trend Part Number	Machine Serial Number	Description	Qty.
1	575-547-000	(000000-)	Carpet Cleaning Detergent, Extravac™ (Case of 4 -1 gal (3.8 L) Bottles) For cleaning carpet and upholstery with the optional carpet wand and upholstery tool.	1
1	578-825-000	(000000-)	Detergent, Drydynamic™ (Case of 4 -1 gal (3.8 L) Bottles) For degreasing and general purpose cleaning of hard floors with the machine or optional wand or upholstery tool.	1

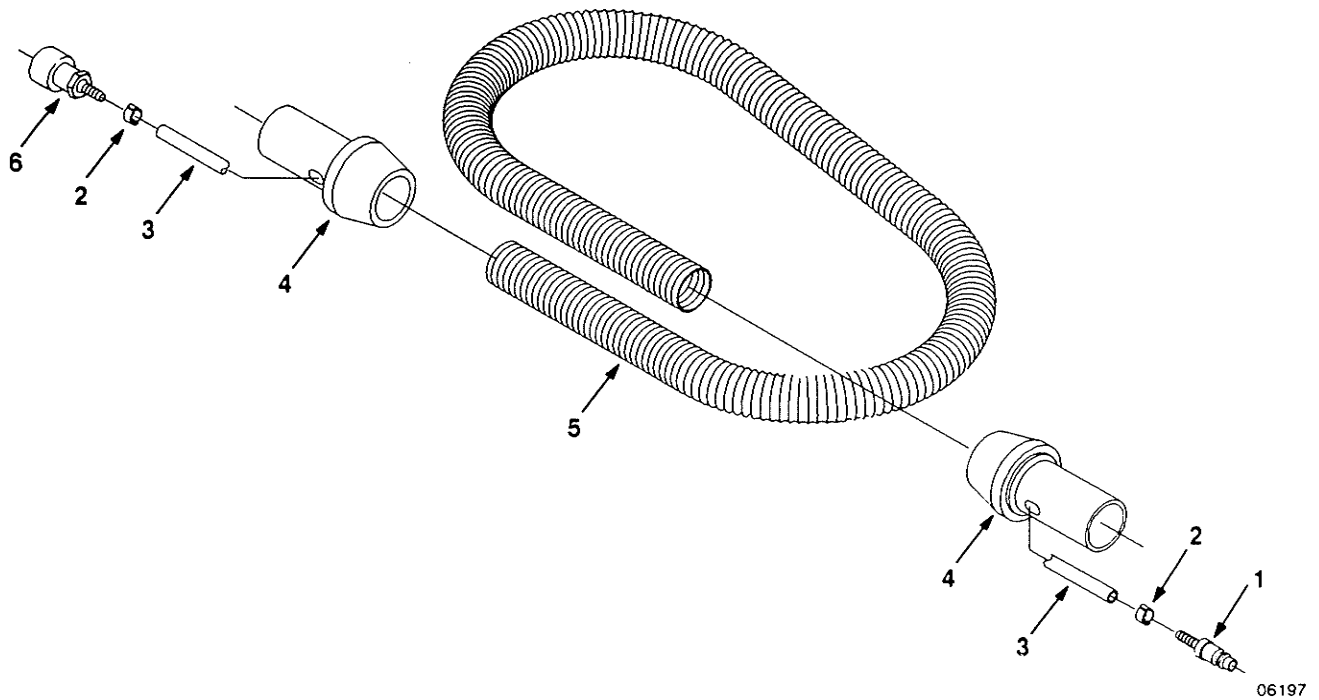


Fig. 14 - Hose Assembly

06197

Key	Tennant Trend Part Number	Machine Serial Number	Description	Qty.
	578-903-000	(000000-)	Hose Assy	1
1	578-318-000	(000000-)	Fitting, Quick Conn, Male, .375", 1/4"H	1
2	578-160-000	(000000-)	Clamp, Hose, 11-13MM OD, Crimp, SS	2
3	578-820-000	(000000-)	Hose	1
4	578-072-000	(000000-)	Cuff, Swivel, 38.1 Dia., Black	2
5	578-276-000	(000000-)	Hose, Vac, Dia 38.1 X 3.05M, Grey	1
6	578-071-000	(000000-)	Quick Conn, Female, 1/4" X 1/4"H	1

NOBLES[®]

A Tennant Company

12875 RANSOM STREET, HOLLAND MICHIGAN 49424 USA

1-800-739-9359 616-786-2330 FAX: 1-800-678-4240 CUSTOMER SERVICE: 1-800-365-6625

173297 REV. 00 (1-91)

PRINTED IN THE U.S.A.