

**NOBLES®**

# SCX 1500

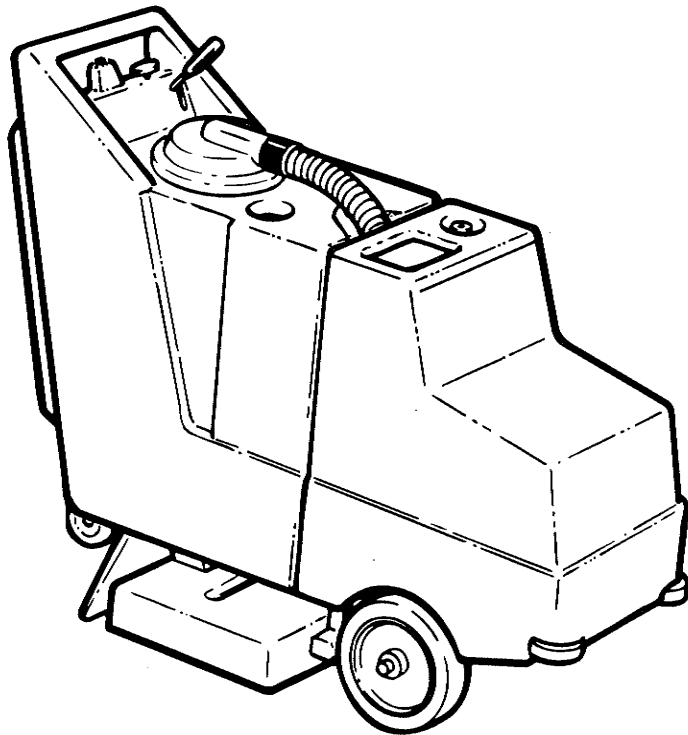
SELF-PROPELLED CARPET EXTRACTOR

MODEL: SCX1500

Operator & Parts Manual

Starting Serial No.: SCX15 3746 SFO

Record Serial No. Here:



NOBLES INDUSTRIES  
12875 RANSOM STREET  
HOLLAND MI 49424

A **TENNANT** COMPANY

1-800-739-9359  
616-786-2330  
FAX: 1-800-678-4240  
CUSTOMER SERVICE: 1-800-365-6625

173308  
Rev. 03 (09-96)

## OPERATION

This manual is furnished with each new Model. It provides necessary operation and maintenance instructions. Read this manual completely and understand the machine before operating or servicing it.

This machine will provide excellent service. However, the best results will be obtained at minimum costs if:

The machine is operated with reasonable care.

The machine is maintained regularly - per the maintenance instructions provided.

The machine is maintained with manufacturer supplied or equivalent parts.

## MACHINE DATE

Please fill out at time of installation for future reference.

Model No. \_\_\_\_\_

Install. Date - \_\_\_\_\_

Serial No. \_\_\_\_\_

## SAFETY PRECAUTIONS

This machine is suited to clean carpets in a indoor environment and is not constructed for any other use. Use only recommended cleaning agents.

All operators must read, understand and practice the following safety precautions:

### ⚠ WARNING:

#### 1. DO NOT OPERATE, MAINTAIN OR SERVICE MACHINE:

- Unless trained and authorized.
- Unless operator manual is read and understood.
- If it is not in proper operating condition.

#### 2. WHEN OPERATING MACHINE:

- Do not run machine where flammable liquids or gases are present.
- Do not run on ramps or inclines unless adequate personnel are present for assistance.

⚠ WARNING: Do not store outdoors and avoid getting wet.

⚠ WARNING: The use of supplies other than those recommended by manufacturer may cause damage.

## MACHINE INSTALLATION

### MACHINE UNCRATING

Carefully check carton for signs of damage. Report damages at once to carrier. Check carton contents to ensure all parts are included.

**To uncrate your machine, remove straps and raise brush head. Carefully lift or create a ramp using crate boards to remove machine from pallet.**

⚠ CAUTION: Do not roll machine off pallet, damage may occur.

## MACHINE SETUP

Vacuum the floor to remove particles and other debris.

### FILL SOLUTION TANK

**NOTE:** If filling with a bucket be certain that bucket is clean. This will prevent the chance of clogging the solution lines.

1. Fill the solution tank with 15 gal. (66L) of water, (140°F, 60° C maximum), and add a recommended liquid cleaning agent to the proper dilution ratio. (Figure 1)

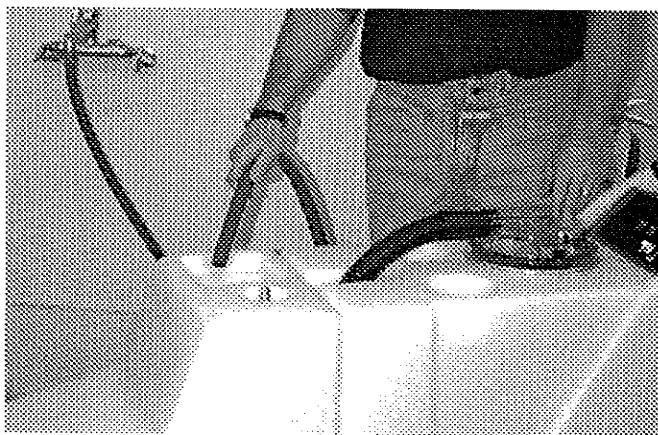


FIG. 1

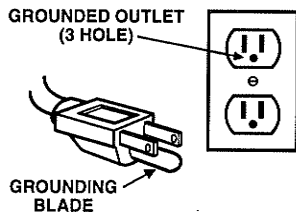
**IMPORTANT:** Do not mix powered chemicals in the solution tank. Powders are unlikely to dissolve completely, resulting in clogging the solution pumping system.

⚠ CAUTION: Use only recommended cleaning chemicals, DO NOT use substitutes. Consult an authorized distributor to assist you with the recommended cleaning chemicals.

⚠ WARNING: Use only nonflammable commercial cleaning chemicals.

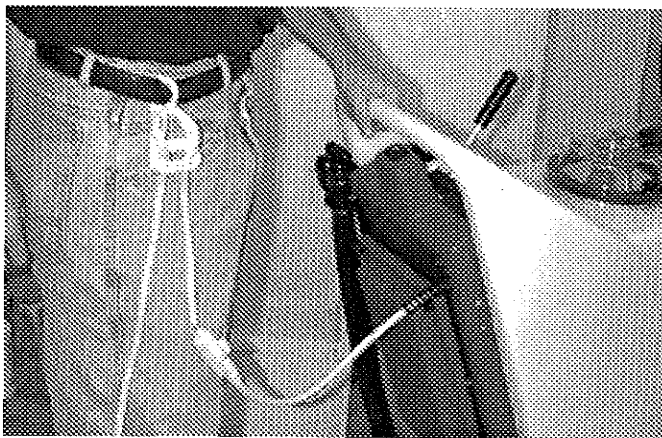
2. Plug machine only into a grounded electrical outlet. (Figure 2)

**WARNING! To avoid an electrical hazard, the machine must be grounded while in use to protect the operator from electrical shock and serious personal injury!**



**FIG. 2**

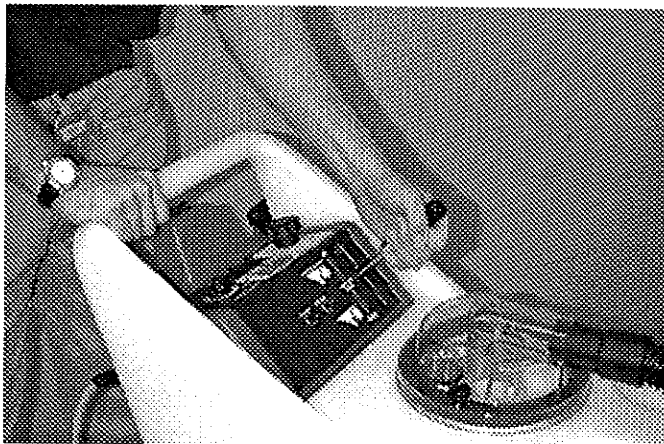
3. Plug cord into machines pig tail cord and attach power cord to belt clip. Fig. 3



**FIG. 3**

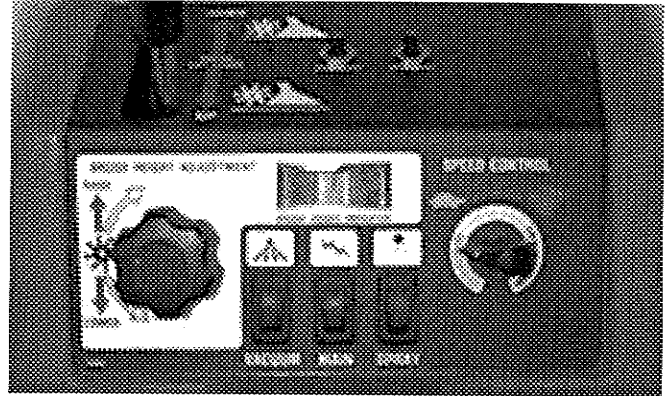
## MACHINE OPERATION

1. Lower brush to carpet using the brush lift lever. (Figure 4)



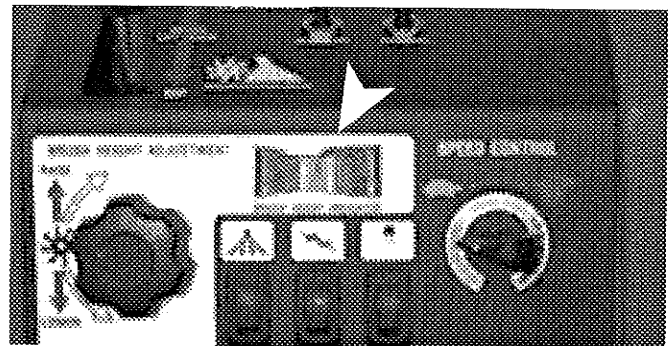
**FIG. 4**

2. Turn on the MAIN, VACUUM and SPRAY switches. (Figure 5)



**FIG. 5**

3. Rotate SPEED CONTROL knob counterclockwise to the stop position. (Figure 5)
4. Press the DRIVE button and gradually rotate the speed control forward until desired cleaning speed is achieved.
5. Adjust brush height properly: View Brush Height Indicator while operating and turn Brush Height adjustment knob until the indicator needle is positioned in the center of the meter. (Figure 6)



**FIG. 6**

6. Now the machine is ready for cleaning. The machine will move forward under its own power while spraying cleaning solution, agitating with brush, and vacuuming up both water and soil.
7. For heavily soiled areas adjust the SPEED CONTROL knob to a slower speed.

**WARNING! If excessive foam builds up in the recovery tank, pour in a recommended anti-foam solution to prevent vacuum motor damage. (Not covered by warranty.)**

8. To drive machine without cleaning: raise brush, turn off SPRAY and VACUUM switches and simply press the DRIVE button.

## ACCESSORY TOOL OPERATION

This machine is equipped with accessory tool connections. Accessory tools enables you to reach areas that the machine is unable to.

To connect accessory tools:

1. Disconnect vacuum hose from clear recovery dome and replace with attachment vacuum hose. (Figure 7)

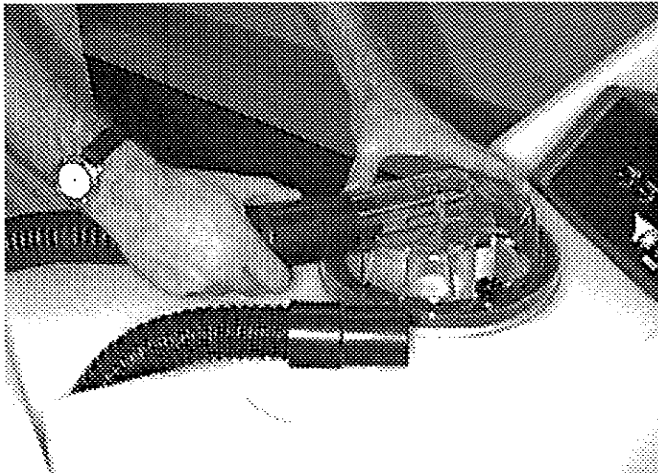


FIG. 7

2. Connect solution hose to solution hose connector at front of machine. (Figure 8)

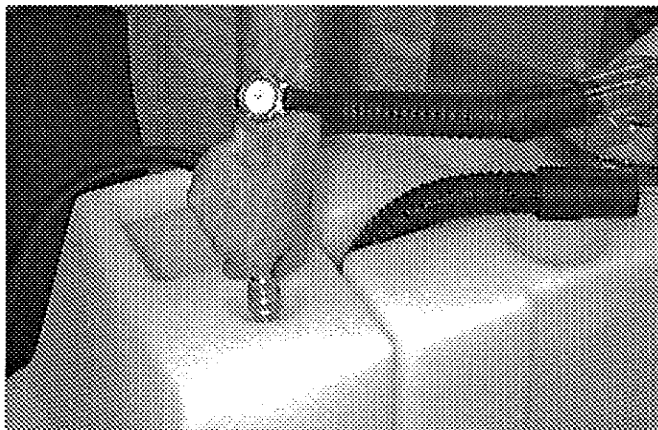


FIG. 8

3. Attach accessory tool to hoses.
4. Turn on the MAIN and SPRAY switches.
5. Operate accessory tool as normal. (Figure 9)

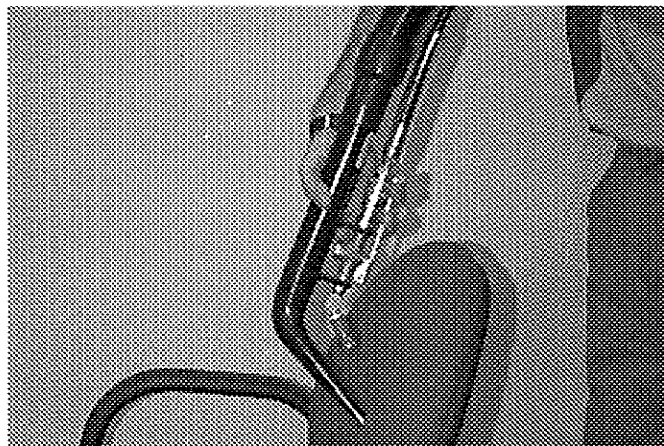


FIG. 9

## DRAINING MACHINE

Recovery tank must be emptied every time before refilling solution tank. To drain recovery tank perform the following steps:

1. Turn off all switches.
2. Unplug power cord from pigtail.
3. Raise brush and manually push machine to draining area.
4. Remove drain hose from holder and twist off drain hose plug. (Figure 10)

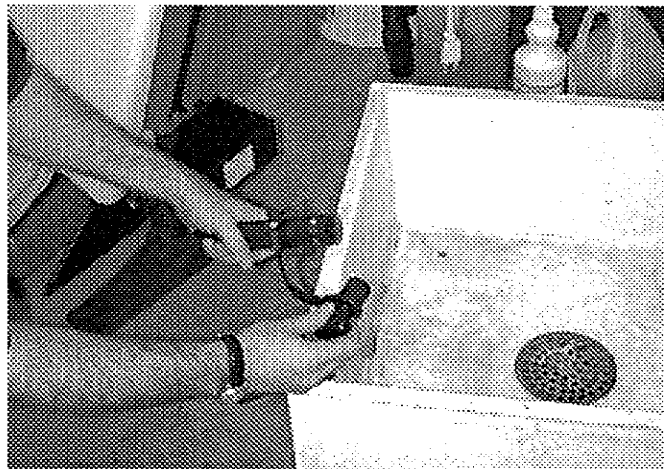


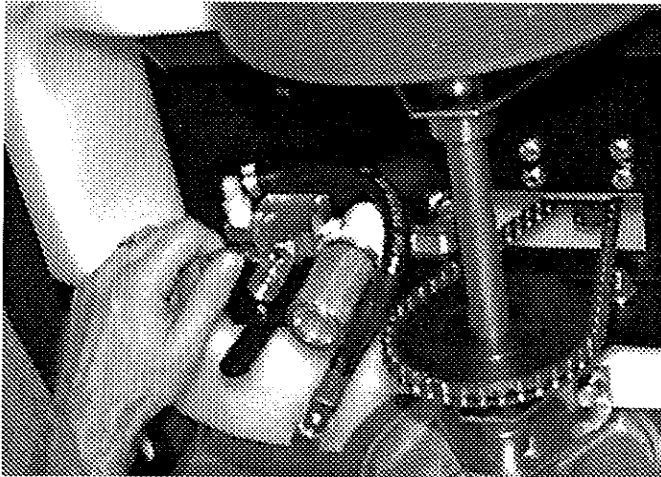
FIG. 10

5. After draining, be certain that plug is on tight before continuing.

## DRAINING UNUSED CLEANING SOLUTION

1. Position machine over floor drain.
2. Locate drain valve lever underneath machine.

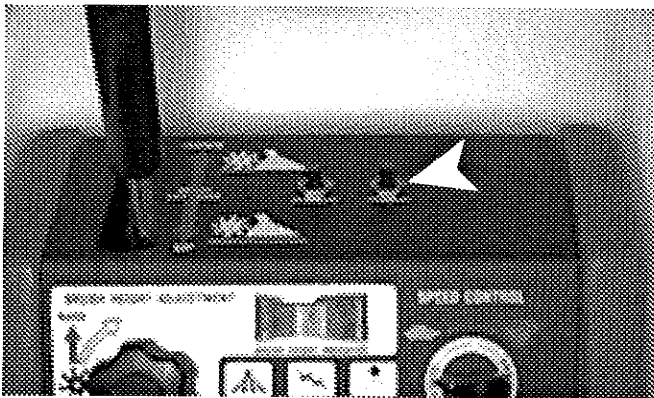
3. Turn lever downward to drain. (Figure 11)



**FIG. 11**

## MOTOR CIRCUIT BREAKERS

The machine is protected by circuit breakers to prevent the brush and drive motor from damage. Circuit breaker buttons are located at front of control console. (Figure 12)



**FIG. 12**

### Brush Reset Button

If brush seizes during operation the Brush Reset Button will automatically pop out. If this happens, unplug machine and determine why brush seized. You may need to raise the brush height or remove entangled fibers around the brush. Press the Brush Reset Button to reset.

### Drive Reset Button

If the machine gets an excessive overload on the driver motor, the Drive Reset Button will automatically pop out and protect it from overheating. If this happens, let motor cool and reset the Drive Reset button.

## MAINTENANCE

To keep machine in good working condition, perform the regularly recommended procedures:

1. Flush tanks after every use.
2. Remove and clean standpipe screen. (Figure 13)



**FIG. 13**

3. Remove any brush obstruction.
4. Clean machine housing with a nonabrasive, non-solvent cleaner.

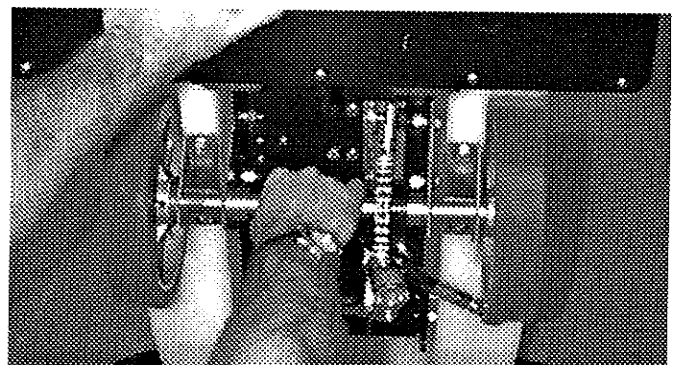
This section will assist you in making simply minor repairs and adjustments:

**WARNING: Before attempting any maintenance procedures, unplug machine. Major repairs must be performed by authorized personnel.**

### DRIVE CHAIN TENSION ADJUSTMENT:

The drive chain should not be too tight or too loose. A properly adjusted chain should flex approximately 1/4" (6.4mm). To tighten chain follow below:

1. Unplug cord at pigtail and empty tanks of all water.
2. Carefully stand machine on front end against wall.
3. Loosen (6) axle support screws with a 9/16" (14mm) wrench.
4. Pull axle until chain flexes no more than 1/4" (6.4mm). (Figure 14)



**FIG. 14**

## MAINTENANCE

5. Retighten screws, be certain that axle is parallel to frame before tightening screws.

### LUBRICATE DRIVE CHAIN:

Chain is prelubricated at the factory. However, if chain begins to show signs of rust perform the following steps:

1. Unplug power cord at pigtail.
2. Empty tanks of all water.
3. Carefully stand machine on front end against wall.
4. Use a water resistant chain oil and lightly coat entire chain. Wipe up excess.
5. Let machine sit a while to allow oil to drip before use.

### SOLUTION FILTER MAINTENANCE:

The solution filter must be cleaned regularly. A clean filter will prevent debris from clogging the solution pump, solenoid valve and spray tips.

The solution filter is located under solution tank at front of machine. (Figure 13)

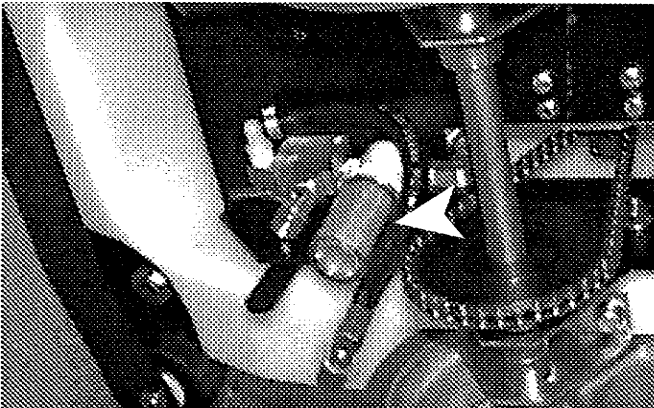


FIG. 13

To clean solution filter:

1. Empty solution tank of all water.
2. Unscrew clear filter bowl from machine.
3. Remove filters from bowl and rinse with water.
4. Reinstall filter, be certain that filters and bowl gasket are properly positioned.

### PLUMBING SYSTEM MAINTENANCE:

Regularly flush out plumbing system with an acetic acid to remove alkaline buildup. This will prevent the plumbing system from clogging and reduce the chance of pump failure.

To flush out plumbing system:

1. Pour 2 gal. (9L) of water with 2 cups (.5L) of acetic acid into the solution tank.
2. Rotate speed control knob to the stop position.
3. Turn on MAIN and SPRAY switches.
4. Press the DRIVE button until solution begins to spray on floor.
5. Leave machine to sit for a few hours to allow acetic acid to breakdown buildup.
6. Later, operate machine to disperse remaining solution.
7. Then flush tank with clean water.

## STORING MACHINE

Store machine in a dry area in the upright position. Before storing machine be certain to flush tanks and drain machine of all water. Remove recovery lid to promote air circulation. Raise pad driver and squeegee off floor to prevent damage.

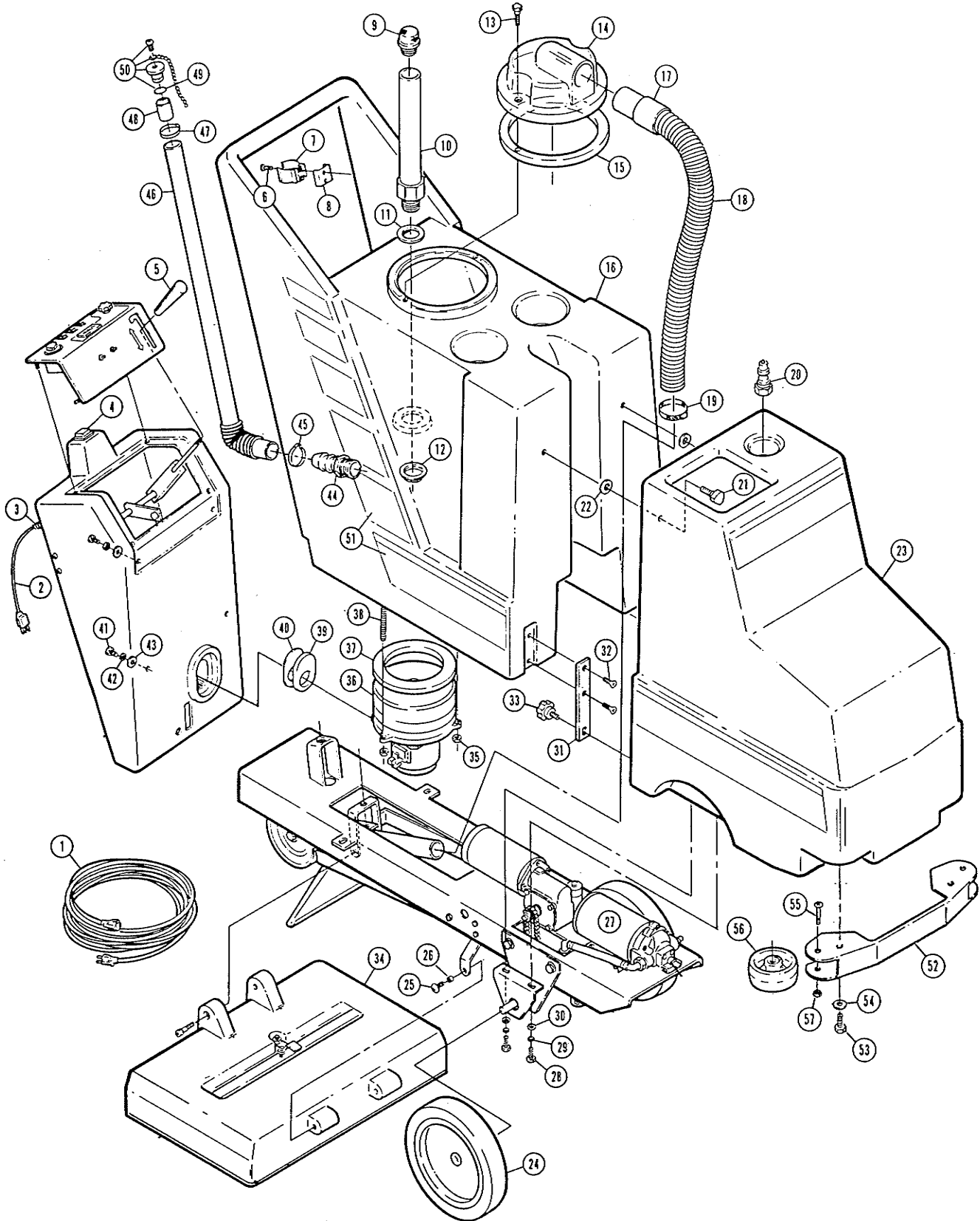
**⚠ WARNING:** If storing machine in freezing temperatures, be certain to drain machine of all water. Damage due to freezing temperatures is not covered by warranty.

## SPECIFICATIONS

LENGTH	20"/50cm
WIDTH	50"/127cm
HEIGHT	38"/97cm
WEIGHT	146lbs/66Kg
SOL. TANK CAPACITY	15 gal./57L
REC. TANK CAPACITY	15 gal./57L
FORWARD SPEED	VARIABLE
CLEANING PATH	20"/50cm
BRUSH MOTOR	120V,.63A,75.6W,.1HP,1800RPM 220V,.5A,120W,.2HP,1200RPM
DRIVE MOTOR	120V,.9A,108W, / 240V,.5A,110W
VACUUM MOTOR	120V,9.9A,1192W,1.66HP 220V,4.5A,1042W 1.95HP
WATERLIFT	120"/117cm
POWER CORD LENGTH	75'/22.8m
DECIBEL RATING AT OPERATOR'S EAR, INDOORS ON TILE.	75dB(A)

PROBLEM	CAUSE	SOLUTION
<b>Loss of vacuum.</b>	<ol style="list-style-type: none"> <li>1. Standpipe screen clogged.</li> <li>2. Drain plug loose or off.</li> <li>3. Leaking around recovery dome.</li> <li>4. Holes in vacuum hose.</li> <li>5. Vacuum hose loose at pickup head or hose cuff loose.</li> <li>6. Faulty vacuum switch.</li> <li>7. Faulty vacuum motor.</li> </ol>	<ol style="list-style-type: none"> <li>1. Clean or replace screen.</li> <li>2. Secure drain plug on hose.</li> <li>3. Replace recovery dome gasket.</li> <li>4. Replace hose.</li> <li>5. Tighten cuffs or replace hose.</li> <li>6. Replace switch.</li> <li>7. Replace motor.</li> </ol>
<b>Drain hose leaks.</b>	<ol style="list-style-type: none"> <li>1. Drain hose worn.</li> <li>2. Drain hose connection is loose.</li> </ol>	<ol style="list-style-type: none"> <li>1. Replace hose.</li> <li>2. Tighten drain hose connection.</li> </ol>
<b>Uneven or no spray from jets.</b>	<ol style="list-style-type: none"> <li>1. Solution filter clogged.</li> <li>2. Solution pump clogged or faulty.</li> <li>3. Solenoid clogged or faulty.</li> <li>4. Spray screens clogged.</li> <li>5. Spray jets worn or clogged.</li> </ol>	<ol style="list-style-type: none"> <li>1. Clean or replace filter.</li> <li>2. Inspect pump for clogs or replace pump.</li> <li>3. Inspect solenoid for clogs or replace solenoid.</li> <li>4. Clean or replace spray screens.</li> <li>5. Clean or replace spray jets.</li> </ol>
<b>Solution pump will not run.</b>	<ol style="list-style-type: none"> <li>1. Fuse blown or circuit breaker tripped in building wiring.</li> <li>2. Faulty pump switch or drive switch.</li> <li>3. Loose wiring.</li> <li>4. Solution pump motor faulty.</li> </ol>	<ol style="list-style-type: none"> <li>1. Replace fuse or reset breaker.</li> <li>2. Replace switch.</li> <li>3. Find loose connection and repair.</li> <li>4. Replace solution pump.</li> </ol>
<b>Solution pump leaks.</b>	<ol style="list-style-type: none"> <li>1. Faulty seals in pump.</li> </ol>	<ol style="list-style-type: none"> <li>1. Replace pump seals.</li> </ol>
<b>Brush motor does not run.</b>	<ol style="list-style-type: none"> <li>1. User not pushing Drive button. Brush runs only when pushing Drive button.</li> <li>2. Main switch is switched off.</li> <li>3. Brush circuit breaker is tripped.</li> <li>4. Loose wiring.</li> <li>5. Brush motor is faulty.</li> </ol>	<ol style="list-style-type: none"> <li>1. Push Drive button.</li> <li>2. Activate Main switch.</li> <li>3. Push Brush Reset button.</li> <li>4. Find loose connection and repair.</li> <li>5. Replace brush motor.</li> </ol>
<b>Brush motor runs, but brush does not spin.</b>	<ol style="list-style-type: none"> <li>1. Loose or broken brush drive belt.</li> <li>2. Loose set screws on brush drive motor pulley or brush pulley.</li> </ol>	<ol style="list-style-type: none"> <li>1. Replace brush drive belt.</li> <li>2. Tighten set screws.</li> </ol>
<b>Drive motor does not run.</b>	<ol style="list-style-type: none"> <li>1. User not pushing Drive switch. Drive motor only activates when pushing Drive switch.</li> <li>2. Speed control knob is turned counter-clockwise to the stop position.</li> <li>3. Main switch is switched off.</li> <li>4. Drive motor circuit breaker is tripped.</li> <li>5. Faulty Drive switch.</li> <li>6. Loose wiring.</li> <li>7. Faulty drive motor.</li> <li>8. Faulty speed control circuit.</li> </ol>	<ol style="list-style-type: none"> <li>1. Push Drive button.</li> <li>2. Turn Speed Control knob clockwise.</li> <li>3. Activate Main switch.</li> <li>4. Push Drive Motor Reset button.</li> <li>5. Replace Drive switch.</li> <li>6. Find loose connection and repair.</li> <li>7. Replace Drive motor.</li> <li>8. Replace speed control circuit.</li> </ol>

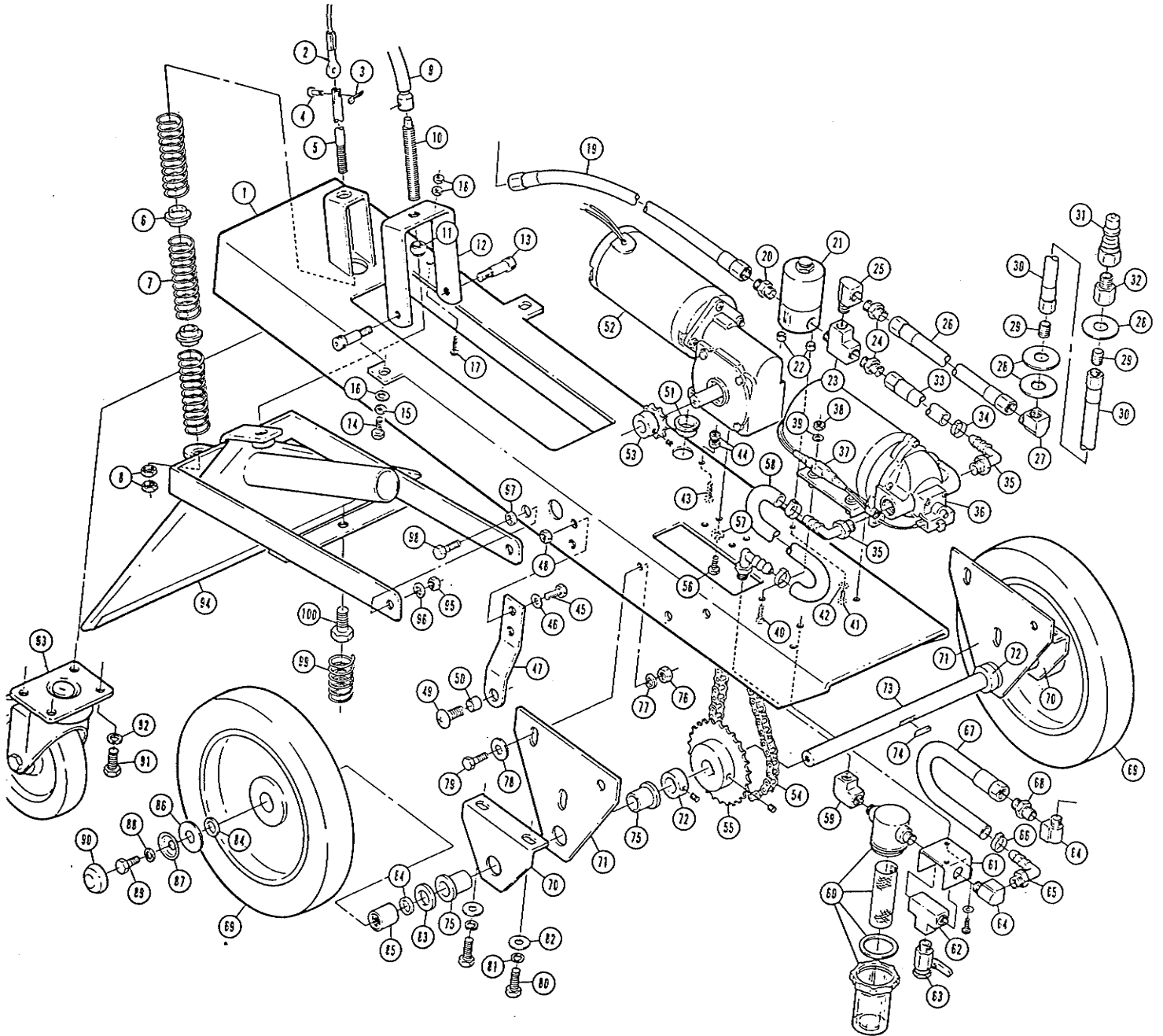
**MAIN ASSEMBLY DIAGRAM**



## MAIN ASSEMBLY PARTS LIST

ITEM #	DESCRIPTION	PART #	QTY.	ITEM #	DESCRIPTION	PART #	QTY.
1.	CORD, 14/3X75' YLW (120V)	130229	1		PUMP, 100PSI 240V	180109	1
	CORD, PWR 3X1.5MMX75' (220V)	130276	1	28.	SCREW, HXHD 5/16"-18 X 3/4"	140223	4
2.	PIGTAIL CORD, 14/3 X 32" YELLOW	130228	1	29.	WASHER, SPLIT LOCK 5/16"	140015	4
3.	CORD GRIP, LIQUID TIGHT	130166	1	30.	WASHER, FLAT 5/16"	140027	4
4.	SWITCH, DRIVE	130821	1	31.	PLATE LOCK	230372.BK	2
5.	KNOB	27185	1	32.	SCREW, MACH	140833	4
	L-CAP	27251	1	33.	KNOB, SOLUTION TANK	240210	2
6.	SCREW, SHEET METAL #6 X 1/2"	140825	2	34.	ASM BRUSH HOUSING	700096	1
7.	CLIP, DRAIN HOSE	140321	1	35.	NUT, LOCK - NYLON INSERT 1/4"	140501	3
8.	BRACKET, DRAIN HOSE CLIP	230380.BK	1	36.	MOTOR, VAC 5.7 / 3 STG (120V)	130416	1
9.	SCREEN, STANDPIPE	180612	1		CARBON BRUSH (120V)	190160	1
10.	STANDPIPE	230165	1		MOTOR, VAC 5.7 / 3 STG (240V)	130403	1
11.	O-RING, STANDPIPE	230159	1		CARBON BRUSH (240V)	190158	1
12.	METAL NUT, 1 1/2"	210240	1	37.	GASKET, VACUUM MOTOR	100118	1
13.	KNOB, VACUUM DOME	240193	2	38.	STUD, FULL THREAD 1/4-20 X 5	140238	3
14.	VACUUM DOME	100112	1	39.	GASKET, EXHAUST OVAL	100116	1
15.	GASKET, VACUUM DOME	100042	1	40.	PLATE, EXHAUST GASKET, OVAL	230370	1
16.	REC. TANK RM-NAT (WF6000)	100858	1	41.	SCREW, HEX HD. CAP 1/4-20 X 3/4	140554	4
	REC. TANK RM-NLG (OSNWF6000)	100333	1	42.	WASHER, LOCK 1/4	140016	4
	REC. TANK RM-NDG (SCX1500)	101079	1	43.	WASHER, FENDER 1/4X 1 1/4	140041	4
17.	HOSE CUFF, 1 1/2"	160430	1	44.	HOSE BARB, NYLON	150530	1
18.	VACUUM HOSE W/CUFF	160413	1	45.	HOSE CLAMP, EAR 1 9/16	140072	1
19.	CLAMP	140307	1	46.	DRAIN HOSE ONLY	160418	1
20.	QUICK COUPLER PLUG	150933	1	47.	CLAMP, EAR	140072	1
21.	KNOB	240201	2	48.	SLEEVE, DRAIN HOSE	140923	1
22.	GASKET, TANK CONNECTOR	100029	2	49.	O-RING ONLY, DRAIN HOSE STOPPER	230129	1
23.	SOL. TANK RM-NAT (WF6000)	100857	1	50.	DRAIN STOPPER KIT	700301	1
	SOL. TANK RM-NLG (OSNWF6000)	100332	1	51.	N/A		
	SOL. TANK RM-NDG (SCX1500)	101077	1	52.	BRACKET, FRONT BUMPER	230333.BK	1
24.	RIGHT DRIVE WHEEL, (COMPLETE)	700821	1	53.	BOLT, 1/2-13 X 1/2	140217	2
	LEFT DRIVE WHEEL, (COMPLETE)	700820	1	54.	WASHER, FLAT, 1/2	140008	2
25.	SCREW, 3/8-16 X 3/4 NYLON PATCH	140898	2	55.	BOLT, 1/2-13 X 2 1/2	140236	2
26.	SPACER, CHASSIS 3/16 BRASS	140925	2	56.	WHEEL, BUMPER	103037	2
27.	PUMP, 100PSI 120V	180103	1	57.	NUT, 1/2-13 JAM	140509	2

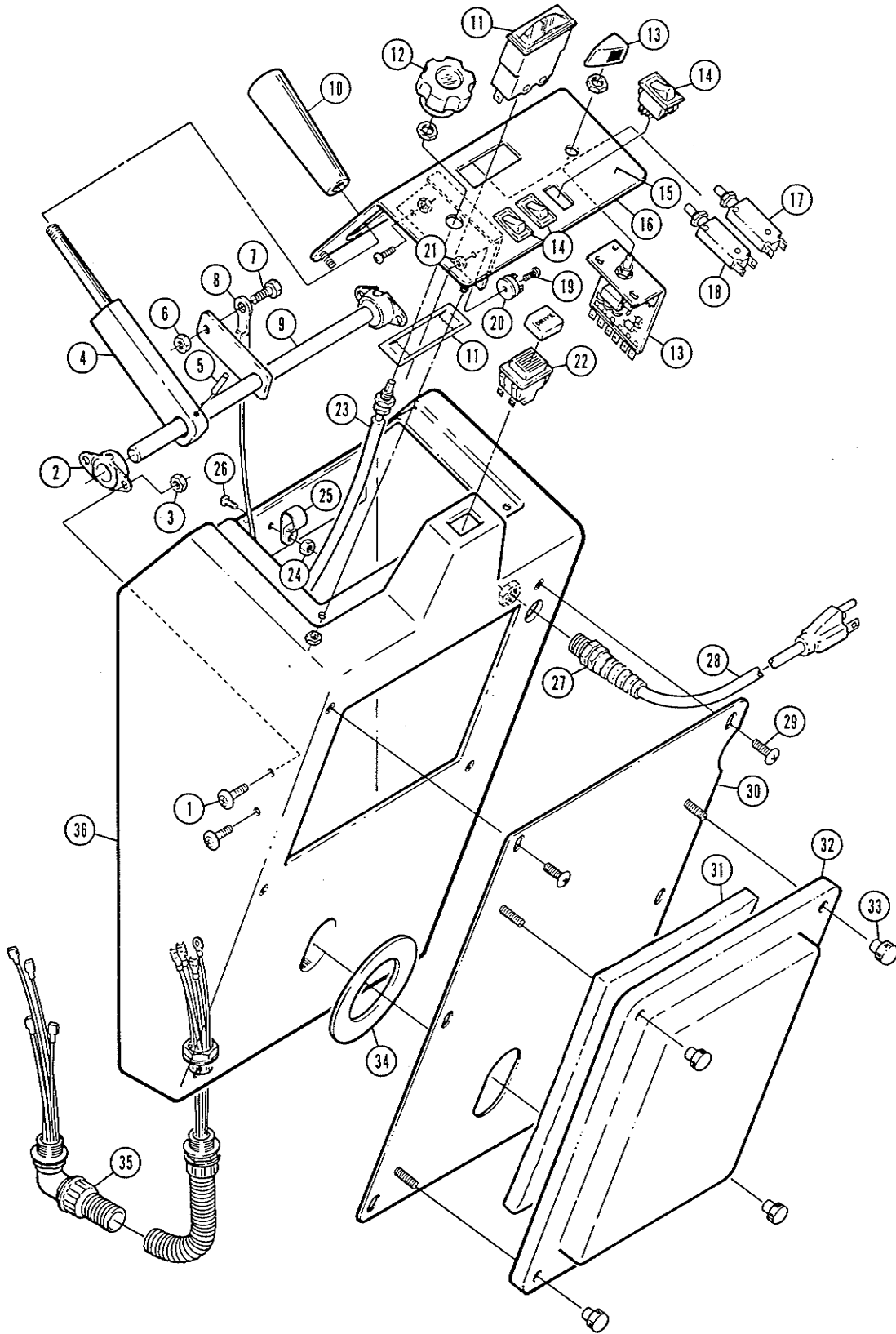
CHASSIS PARTS DIAGRAM



## CHASSIS PARTS LIST

ITEM #	DESCRIPTION	PART #	QTY.	ITEM #	DESCRIPTION	PART #	QTY.
1.	CHASSIS	230377.BK	1	51.	BUSHING, SNAP .875 ID	130104	1
2.	CABLE, LIFT	140930	1	52.	DRIVE MOTOR (120V)	130475	1
3.	PIN, COTTER	140630	1		DRIVE MOTOR (240V)	130476	1
4.	PIN, CLEVIS	140629	1	53.	SPROCKET, DRIVE MOTOR	230352	1
5.	VACUUM HEAD LIFT ROD	230359	1	54.	CHAIN, #35 BULK (2')	230354	1
6.	BUSHING, SPRING	230378	2		LINK (NOT SHOWN)	230355	1
7.	SPRING, PRESSURE	140441	3		LINK, OFF-SET (NOT SHOWN)	230356	1
8.	NUT, FINISHED JAM 3/8-16	140545	2	55.	SPROCKET, AXLE	230353	1
9.	BRUSH HEIGHT CABLE ASSY.	240500	1	56.	SCREW, HEX HD. CAP 1/4-20 X 1/2 S/S	140553	4
10.	STUD, BRUSH HEIGHT ADJUST.	230364	1	57.	WASHER, LOCK	140016	4
11.	NUT, NYLON LOCK 3/8-16	140515	1	58.	HOSE, 3/8 LP GRAY BULK (.54')	160896	1
12.	BRACKET, BRUSH HGT ADJ.	230365.BK	1	59.	ELBOW, 90°	150401	1
13.	BOLT, SHOULDER	140564	2	60.	ASM, INLINE FILTER	180619	1
14.	SCREW, HXHD 5/16-18 X 3/4	140223	2		STRAINER	180632	1
15.	WASHER, SPLIT LOCK 5/16	140015	2		GASKET	180631	1
16.	WASHER, FLAT 5/16	140027	2	61.	BRACKET, FILTER	230373	1
17.	SCREW, MACHINE 10/24 X 1	140804	1	62.	TEE, BRASS	150706	1
18.	NUT, KEP 10/24	140519	2	63.	SOLUTION TANK DRAIN VALVE	210006	1
19.	HOSE, 3/8 LP GRAY BULK (1.416')	160207	1	64.	ELBOW, 90°	150406	2
	SLEEVE (NOT SHOWN)	160300	2	65.	ELBOW, 90° NYLON, 1/4"M X 3/8"H	150415	1
	HOSE BARB (NOT SHOWN)	150512	2	66.	CLAMP	140301	1
20.	NIPPLE	150606	1	67.	HOSE, FILTER VALVE	700811	1
21.	SOLENOID	210032	1	68.	NIPPLE, BRASS 1/4" HEX	150606	1
22.	SPACER	140922	2	69.	LEFT DRIVE WHEEL, (W/ 83, 84 & 85)	700820	1
23.	TEE, 1/4" STREET	150709	1		RIGHT DRIVE WHEEL, (W/ 83, 84 & 85)	700821	1
24.	NIPPLE, 1/4" HEX	150606	2	70.	PLATE, PIVOT	230374	2
25.	ELBOW, 1/4" STREET 90 DEG.	150406	1	71.	MOUNT PLATE, AXLE	230376	2
26.	HOSE, 3/8 LP GRAY BULK (1.208')	160207	1	72.	COLLAR, 3/4" W/SCREW	230351	2
	SLEEVE (NOT SHOWN)	160300	2	73.	AXLE	230358	1
	HOSE BARB (NOT SHOWN)	150512	2	74.	KEYSTOCK, 3/16 X 1	140628	1
27.	ELBOW, 1/4" STREET 90°	150406	1	75.	BEARING, FLANGE	140111	4
28.	WASHER, FLAT 1/2	140008	3	76.	NUT, HEX 3/8-16 S/S BULK	140525	6
29.	NIPPLE, BRASS CLOSE 1/4 PIPE	150615	1	77.	WASHER, SPLIT LOCK 3/8	140017	6
30.	HOSE, ACCESSORY	700769	1	78.	WASHER, FLAT 3/8	140028	6
31.	QUICK DISCONNECT PLUG	150933	1	79.	SCREW, HEXHD 3/8-16 X 3/4	140201	6
32.	ADAPTER, 1/4M X 1/4F	150000	1	80.	SCREW, HEXHD 5/16-18 X 3/4	140223	4
33.	HOSE, 3/8 LP GRAY BULK (.458')	160207	1	81.	WASHER, SPLIT LOCK 5/16	140015	4
	SLEEVE (NOT SHOWN)	160300	1	82.	WASHER, FLAT 5/16	140027	4
	HOSE BARB (NOT SHOWN)	150512	1	83.	WASHER, WHEEL	140049	2
34.	CLAMP	140301	3	84.	BEARING SEAL (special tools req'd.)	140115	4
35.	ELBOW, 90° NYLON, 1/4"M X 3/8"H	150415	3	85.	BEARING (special tools req'd.)	140110	2
36.	SOLUTION PUMP (120V)	180103	1	86.	WASHER, 1.246OD X .754ID X .062	140047	2
	SOLUTION PUMP (240V)	180109	1	87.	WASHER, 5/16 (FOR 150210)	140048	2
37.	KIT, RECTIFIER	190138	1	88.	WASHER, SPLIT LOCK 5/16	140015	2
38.	NUT, KEP 10-24	140519	2	89.	SCREW, HEXHD 5/16-18 X 1/2	140559	2
39.	WASHER, FLAT 3/16	140012	2	90.	HUBCAP, BLACK	150210	2
40.	SCREW, 10-24 X 1	140804	2	91.	SCREW, HEXHD 5/16-18X 3/4	140223	4
41.	SCREW, MACH. 10-32 X 5/8	140841	2	92.	WASHER, SPLIT LOCK 5/16	140015	4
42.	WASHER, INTERNAL LOCK TOOTH	140018	2	93.	CASTER, 5" SWIVEL	103035	1
43.	SCREW, 10-24 X 1	140804	1	94.	VACUUM HEAD ASSEMBLY	230375.BK	1
44.	NUT, KEP 10-24	140519	2	95.	NUT, HEX 3/8-16	140525	2
45.	SCREW, HEXHD 5/16-18 X 3/4	140223	2	96.	WASHER, SPLIT LOCK 3/8"	140017	2
46.	WASHER, FLAT 5/16	140027	2	97.	SPACER, CHASSIS 3/16	140925	2
47.	BRACKET, BRUSH	230381.BK	2	98.	SCREW, HEXHD 3/8-16 X 3/4	140201	2
48.	NUT, FINISHED JAM 5/16	140548	2		BUSHING (NOT SHOWN)	140136	2
49.	SCREW, 3/8-16 X 3/4 NYLON PATCH	140898	2		WASHER (NOT SHOWN)	140028	2
50.	SPACER, CHASSIS 3/16 BRASS	140925	2	99.	SPRING, BRUSH PRESSURE	140403	1
				100.	SCREW, HEXHD 1/2-13 X 1	140237	1

CONTROL BOX DIAGRAM



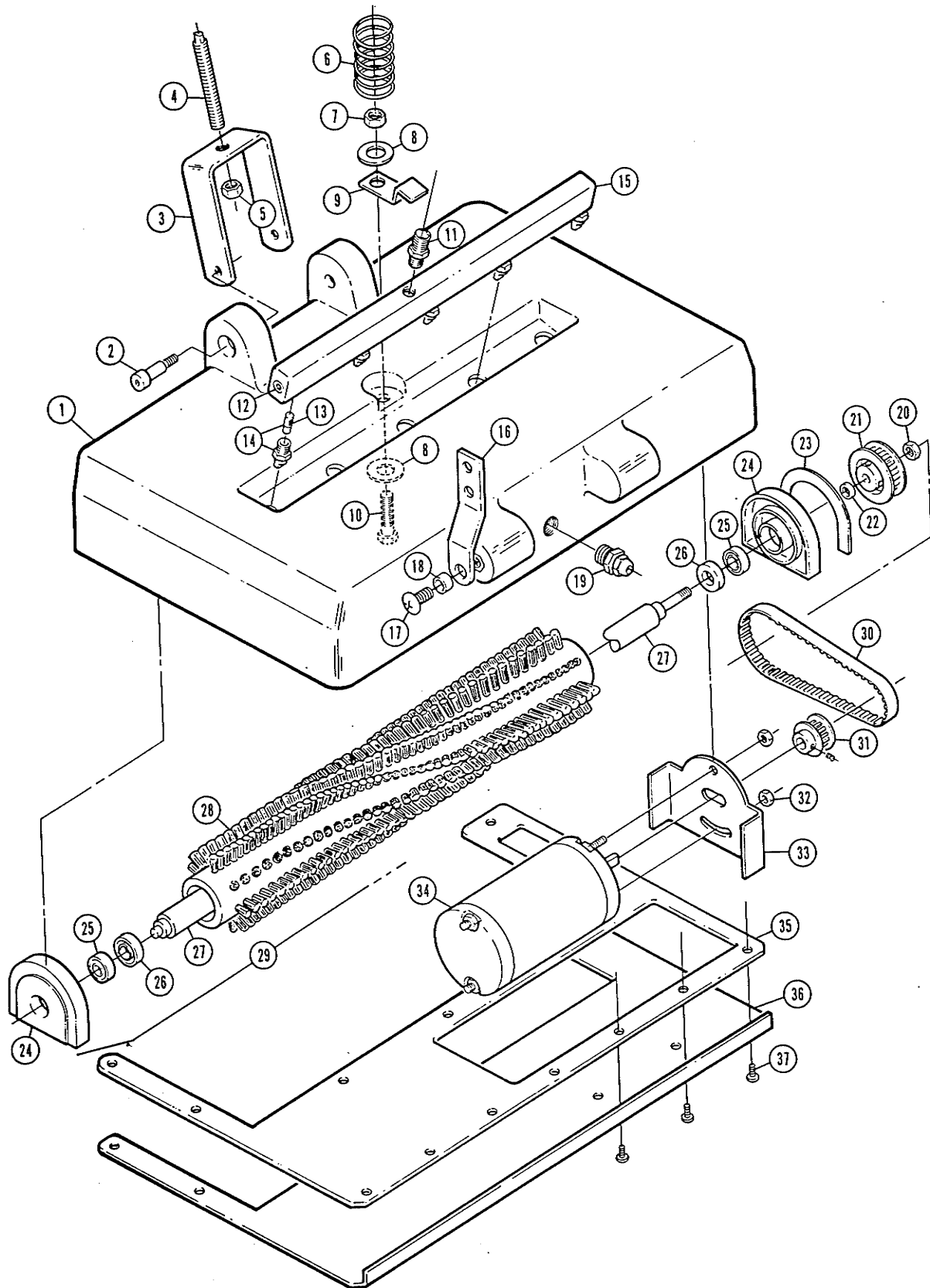
## CONTROL BOX PARTS LIST

ITEM #	DESCRIPTION	PART #	QTY.	ITEM #	DESCRIPTION	PART #	QTY.
1.	SCREW, 1/4-20 X 3/4	140864	4	20.	RECTIFIER, BRUSH MOTOR	130304	1
2.	BEARING FLANGE	140102	2	21.	NUT, KEP 6/32	140539	1
3.	NUT, KEP 1/4-20	140524	4	22.	DRIVE SWITCH	130821	1
4.	LIFT LEVER	230360	1	23.	CABLE, BRUSH HEIGHT ADJUST	240500	1
5.	PIN, ROLL 7/32 X 1	140631	1	24.	NUT, KEP 10-24	140519	1
6.	NUT, KEP	140524	1	25.	CLAMP, NYLON	140916	1
7.	SCREW, HXHD 1/4-20 X 3/4	140554	1	26.	SCREW, MACH 10-24 X 5/8	140891	1
8.	CABLE, LIFT	140930	1	27.	CORD GRIP	130166	1
9.	PIVOT BAR ASSEMBLY	230361	1	28.	CORD, 14/3X34" YLW (120V)	130228	1
10.	KNOB	27185	1	29.	SCREW, MACHINE 1/4-20 X 1/2	140885	6
	L-CAP	27252	1	30.	COVER PLATE	250553	1
11.	METER, AMP	130019	1	31.	SOUND FILTER FOAM	102540	1
12.	BRUSH HEIGHT KNOB	240208	1	32.	FILTER COVER	100860	1
13.	CONTROL BOARD	130012	1	33.	KNOB	240209	4
14.	SWITCH, ROCKER TYPE	130717	3	34.	GASKET, EXHAUST	100117	1
15.	N/A			35.	HARNES, WIRE	130960	1
16.	CONTROL PANEL ONLY	250556	1	36.	HSG, CONTROL RM-BL (WF6000)	100856	1
17.	BREAKER, CIRCUIT 2.5 AMP	130746	1		HSG, CONTROL RM-NLG (OSNWF6000)	100331	1
18.	BREAKER, CIRCUIT 1.5 AMP	578337000	1		HSG, CONTROL RM-NDG (SCX1500)	101075	1
19.	SCREW, MACHINE 6/32 X 5/8	140831	1				

## DECAL LIST (NOT SHOWN)

DESCRIPTION	PART #	QTY.
DO NOT ALLOW FOAM	120399	1
IMPORTANT DRAIN	120906	1
WARNING EXTRACTOR	120619	1
DASH	120655	1
NOBLES LOGO	120239	2
"FALCON 1500" (WF6000)	120034	1
HASH LEFT SIDE (WF6000)	120452	1
HASH RIGHT SIDE (WF6000)	120453	1
SIDELINES LEFT (WF6000)	120450	1
SIDELINES RIGHT (WF6000)	120451	1
SIDELINES SCX1500	120063	2

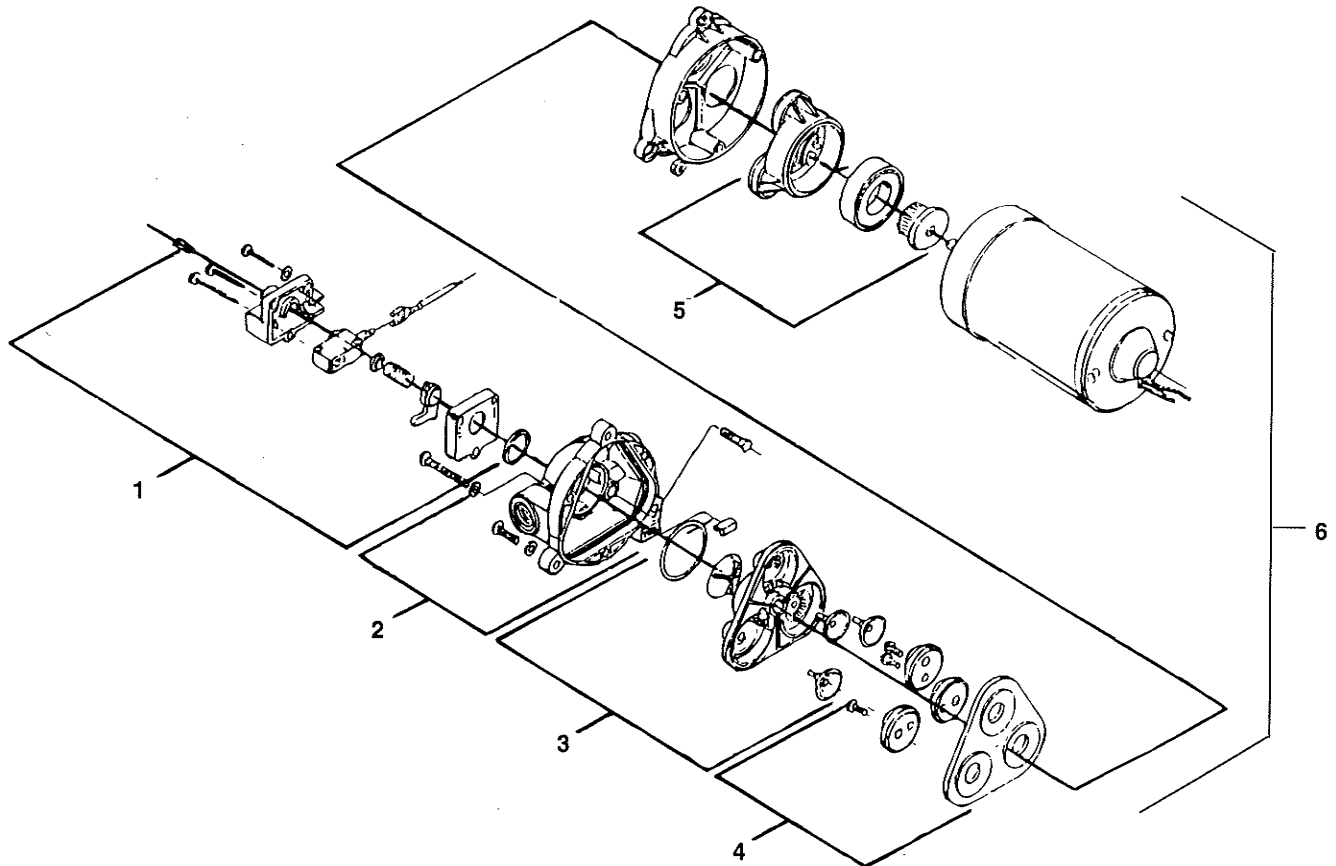
POWER BRUSH DIAGRAM



**POWER BRUSH PARTS LIST**

ITEM #	DESCRIPTION	PART #	QTY.	ITEM #	DESCRIPTION	PART #	QTY.
1.	HSG, BASE RM-BL (WF6000)	100859	1	18.	SPACER, CHASSIS 3/16 BRASS	140925	2
	HSG, BASE RM-NDG (OSNWF6000&SCX1500)	100873	1	19.	LIQUID TIGHT CORD GRIP	130190	1
2.	BOLT, SHOULDER	140564	2	20.	NUT, FINISHED JAM 5/16	140548	1
3.	BRACKET, BRUSH HGT ADJ.	230365.BK	1	21.	PULLEY, BRUSH W/SCREWS	230505	1
4.	STUD, BRUSH HGT ADJ.	230364	1	22.	SPACER, .625OD X .328ID X .125	230363	1
5.	NUT, LOCK-NYLON INSERT 3/8-16	140515	1	23.	GASKET, BEARING BLOCK	100005	1
6.	SPRING, BRUSH PRESSURE	140403	1	24.	BEARING BLOCK	230261	2
7.	NUT, LOCK NYLON	140515	1	25.	BEARING	140125	2
8.	WASHER, FLAT 7/16 USS S/S	140021	2	26.	BEARING SEAL	100049	2
9.	CLAMP, SPRAYBAR MANIFOLD, BLACK	250466	1	27.	SHAFT, BRUSH	230362	1
10.	SCREW, HXHD 3/8-16 X 1 1/2	140231	1	28.	BRUSH ONLY	240050	1
11.	REDUCER, BRASS, 1/4M X 1/8M	150614	1	29.	BRUSH ASSEMBLY COMPLETE	700094	1
12.	PLUG, BRASS HEX HEAD	150208	1	30.	TIMING BELT	230507	1
13.	N/A			31.	PULLEY, MOTOR W/SCREW	230506	1
14.	NOZZLE	201011	5	32.	NUT, KEP 10-32	140518	1
15.	ASM SPRAYBAR W/TWIST JETS	701049	1	33.	PLATE, MOTOR MOUNT	230366	1
	MANIFOLD, SPRAYBAR	230379	1	34.	BRUSH DRIVE MOTOR	130471	1
16.	BRACKET, BRUSH ASSY.	250561	2	35.	GASKET, BASE PLATE	100115	1
17.	SCREW, MACH.	140898	2	36.	PLATE, BRUSH BASE	230367.BK	1
				37.	SCREW, MACHINE 10-24 X 3/8	140887	12

**PUMP PARTS LIST**



ITEM #	DESCRIPTION	PART #	QTY.	ITEM #	DESCRIPTION	PART #	QTY.
1.	KIT, PRESSURE SWITCH	190129	1	3.	KIT, VALVE (VITON)	190171	1
	KIT, PRESSURE SWITCH (VITON)	190172	1	4.	KIT, SERVICE	190131	1
	KIT, DIAPHRAGM ONLY	190134	1	5.	KIT, LOWER PUMP HOUSING	190130	1
2.	KIT, UPPER PUMP HOUSING	190128	1	6.	PUMP, 100 PSI 120V (COMPLETE)	180103	1
	KIT, CHECK VALVE ONLY	190124	1		PUMP, 100 PSI 220V (COMPLETE)	180109	1

# OPTIONAL ACCESSORIES PARTS LIST

## 5" HAND TOOL #200505

ITEM #	DESCRIPTION	PART #	QTY.
1.	TOOL, HAND	200431.BK	1
2.	COUPLER, QUICK, SER. 60	150913	1
3.	NIPPLE, CLOSE	150615	1
4.	TRIGGER, HAND TOOL	200905	1
5.	VALVE, FLOW CONTROL	210210	1
6.	VALVE PIN & SPRING (NOT SHOWN)	190600	1
7.	CAP, HEX, VALVE	N/A	1
8.	NIPPLE, HEX 1/4"	150606	1
9.	ELBOW, ST 1/4" 45°	150403	1
10.	BODY, SPRAY 1/4"F	200992	1
11.	SCREEN, SPRAY NOZZLE	200996	1
12.	TIP, SPRAY #8002	200965	1
13.	CAP, SPRAY BODY	200994	1

## FLOOR TOOL #600048

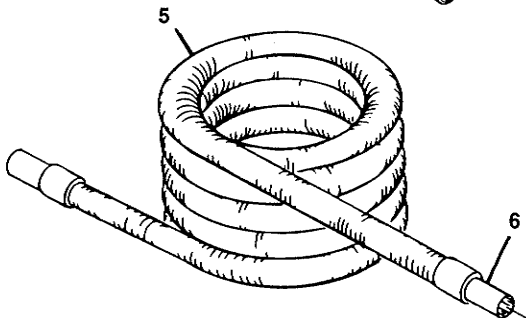
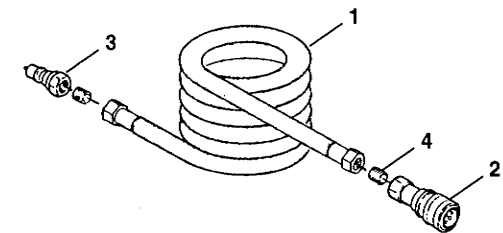
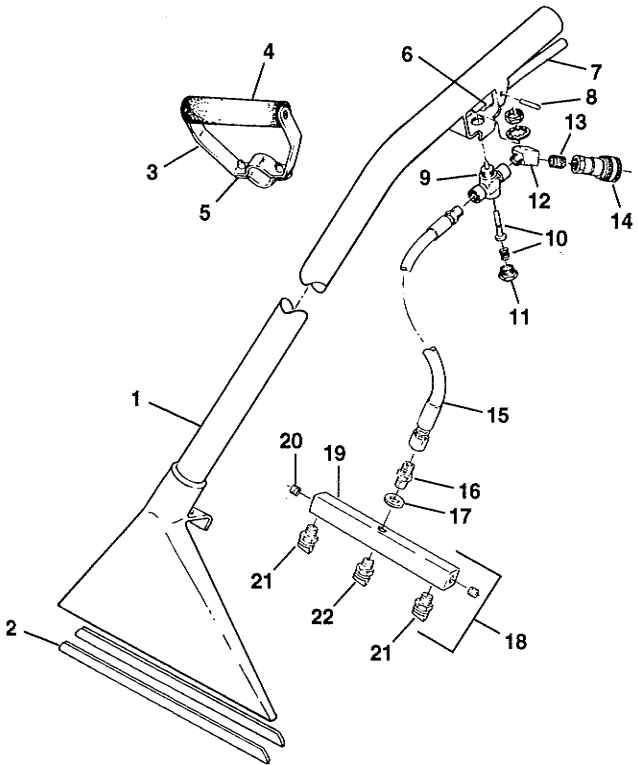
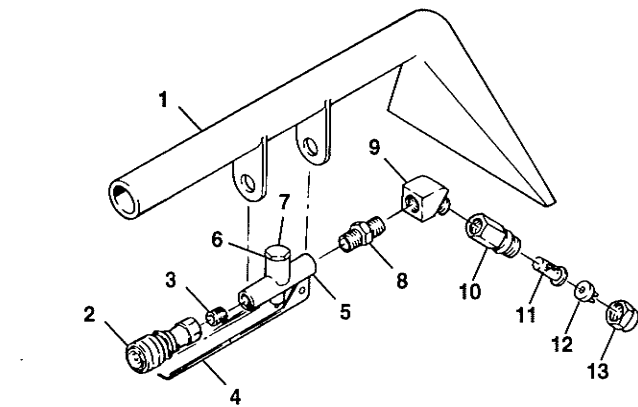
ITEM #	DESCRIPTION	PART #	QTY.
1.	TOOL, FLOOR	200403.BK	1
2.	SHOES, FLOOR TOOL	200939	2
3.	GRIP, ADJUSTABLE COMPLETE	200927	1
4.	FOAM, GRIP	200912	1
5.	SCREW, 1/4X3/4	140554	2
6.	TRIGGER, FLOOR TOOL	200902	1
7.	SLEEVE, TRIGGER	200809	1
8.	PIN	140605	1
	NUT, PUSH	140520	2
9.	VALVE, FLOW CONTROL	210150	1
10.	KIT, VALVE PIN & SPRING	190603	1
11.	CAP, HEX, VALVE	N/A	1
12.	ELBOW, 1/4-45°	150403	1
13.	NIPPLE, CLOSE 1/4	150615	1
14.	COUPLER, QUICK SER. 60	150913	1
15.	HOSE, 1/4 HP W/ SWEDGE	160170	1
16.	NIPPLE, HEX 1/4"	150606	1
17.	WASHER	140058	1
18.	ASM., SPRAY BAR	700062	1
19.	SPRAY BAR MANIFOLD	231027	1
20.	PLUG, 1/8	150208	2
21.	NOZZLE, V-JET #8003	201004	2
22.	NOZZLE, V-JET #11003	201003	1

## HOSES

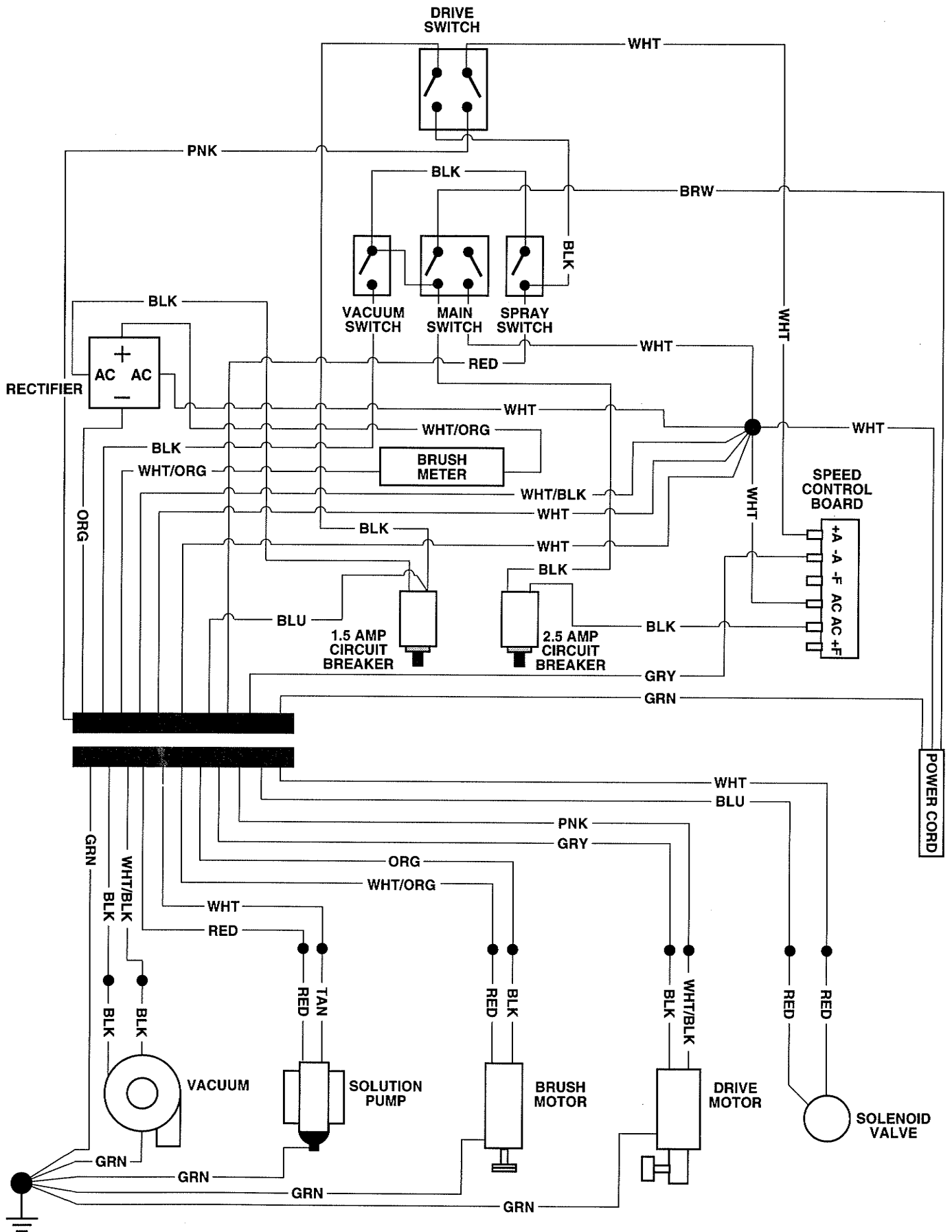
ITEM #	DESCRIPTION	PART #	QTY.
1.	HOSE, SOLUTION 25'	160186	1
2.	COUPLER, QUICK SER. 60	150913	1
3.	PLUG, QUICK COUPLER	150933	1
4.	NIPPLE	150615	2
5.	HOSE, VACUUM 25'	160401	1
6.	CUFF, HOSE 1-1/2"	160430	2

## PARTS NOT SHOWN:

CONNECTOR, VAC HOSE 1-1/2"	160451	1
----------------------------	--------	---



# 120 VOLT WIRING DIAGRAM



# 220 VOLT WIRING DIAGRAM

