

**NOBLES®**

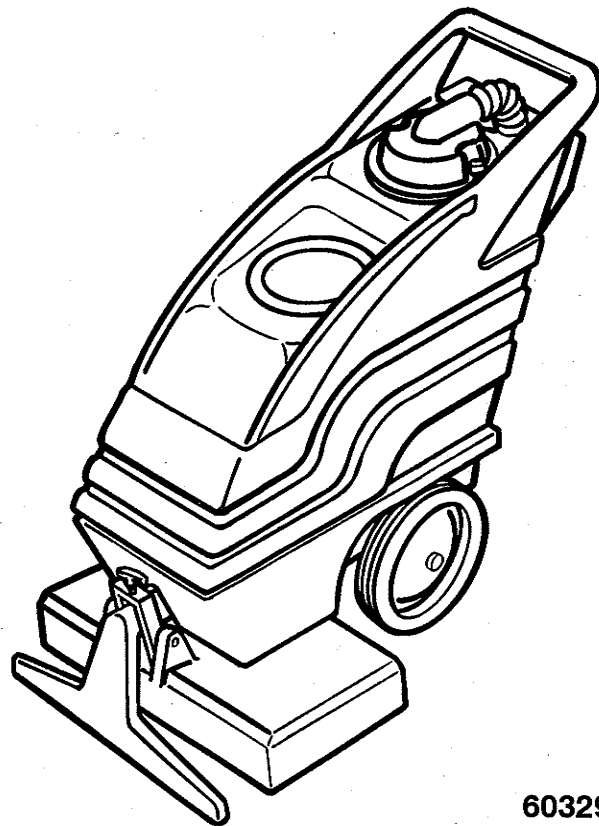
# SCX1000

**Self-Contained Carpet Extractor**

**Operator Manual  
& Parts Lists**

**Model No.: 603057**

U.S. Patent No.: 4,956,891



**NOBLES INDUSTRIES, INC.**  
12875 RANSOM STREET  
HOLLAND MI 49424 U.S.A.

A Tennant Company

1-800-522-7839

616-786-2330

FAX: 1-800-678-4240

CUSTOMER SERVICE: 1-800-365-6625

603297  
Rev. 00 (05--97)

# OPERATION

This manual is furnished with each new model. It provides necessary operation, machine maintenance instructions and an illustrated parts list. **Read this manual completely and understand the machine before operating or servicing it.**

Use the illustrated Parts Lists to order parts. Before ordering parts or supplies, be sure to have your machine model number and serial number handy. Parts and supplies may be ordered by phone or mail from any authorized parts and service center, distributor or from any of the manufacturer's subsidiaries.

This machine will provide excellent service. However, the best results will be obtained at minimum costs if:

- The machine is operated with reasonable care.
- The machine is maintained regularly - per the machine care instructions provided.
- The machine is maintained with manufacturer supplied or equivalent parts.

## MACHINE DATA

Please fill out at time of installation for future reference.

Model No.- \_\_\_\_\_

Install. Date - \_\_\_\_\_

Serial No.- \_\_\_\_\_

© 1997 Castex Inc.


Printed in U.S.A.


## SAFETY PRECAUTIONS

This machine is suited to clean carpet and upholstery in an indoor environment and is not constructed for any other use. Use only recommended accessory tools and cleaning solutions.

All operators must read, understand and exercise the following Important Safety Instructions.


**ATTENTION:** The following safety alert symbol is used throughout this manual as indicated in their description:

 **WARNING:** It warns the operator of hazards and unsafe practices which could result in severe personal injury or death.


 **CAUTION:** It warns the operator of unsafe practices which could cause damage to the equipment.

To reduce the risk of fire, electric shock or injury, exercise the following safety precautions:

1. **DO NOT OPERATE MACHINE:**
  - Unless operator manual is completely read and used as described.
  - If power cord or plug is damaged.
  - If machine is not in proper operating condition.
  - If power cord is not properly grounded.
2. **WHEN OPERATING MACHINE:**
  - Do not pick up flammable or combustible liquids such as gasoline.
  - Avoid explosive vapors or dust in the air.
  - Do not run machine over power cord. A hazard may occur.
  - Do not pull machine by power cord or pull cord around sharp edges or corners.
  - Do not handle plug with wet hands.
3. **BEFORE LEAVING OR SERVICING MACHINE:**
  - Make sure machine is turned off and power cord is unplugged from wall outlet.

 **WARNING:** Hazardous Voltage. Shock or electrocution can result. Always unplug machine before servicing machine.

 **WARNING:** Do not store outdoors and avoid getting wet.

 **WARNING:** The use of supplies other than those recommended by manufacturer may cause damage.

## MACHINE SETUP AND OPERATION

1. Unscrew and remove the clear cover (not the clear recovery tank dome). Fill the clean water bladder with hot water, (140°F, 60°C max.). Add cleaning agent to proper dilution ratio. Solution tank capacity: 800 model - 8 gal./30L, 1000/1016model - 10 gal./38L.

**IMPORTANT:** After you have filled the clean water bladder, REPLACE THE CLEAR COVER AND TIGHTEN IT SECURELY. Suction in the recovery tank will over-expand the clean water bladder if the cover is not sealed.

**IMPORTANT:** Do not mix powdered chemicals in the extractor's clean water bladder. Mix powdered chemicals thoroughly in a bucket before pouring into the machine. Powders are unlikely to dissolve completely and can clog the solution pump system.

**IMPORTANT:** Use separate buckets to fill and empty the extractor. Use a clean bucket to fill the machine, and empty dirty water into a separate bucket. Dirty water in the clean water bladder will clog the solution pump system.

2. Plug the extension power cord into a grounded (earthed) receptacle outlet. See Figure 1.

**⚠ WARNING: To avoid serious personal injury: Do not expose to rain. Store indoors. Disconnect power if machine is left unattended. Plug into grounded outlets only. Do not use an adapter or remove ground pin on plug. Do not use if cord is damaged. Disconnect power before servicing. Electrical service must be performed by an authorized service station or electrician. Use only non-flammable commercial chemicals intended for machine application. Do not use where explosive vapors or dust are present in the air. Do not allow machine to freeze.**

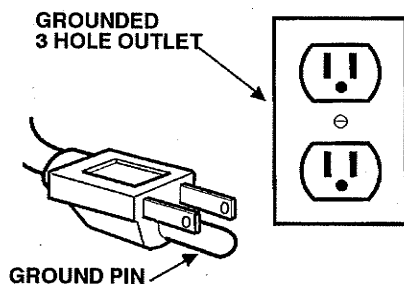


FIG. 1.

3. Connect extension power cord to the pigtail cord and attach the belt clip to your belt.
4. Turn on the MASTER switch.
5. Before cleaning, adjust the brush height as follows: Push the CARPET CLEANING button. Turn the brush height knob at the front of the machine counterclockwise. This lowers the brush. Turn the knob until you hear the bristles begin to "flick" against the carpet, then turn the handle another half turn counterclockwise.
6. To begin cleaning, press and hold in the CARPET CLEANING button and pull the machine towards you approximately 4ft (1.2m).

**NOTE:** You can scrub stained areas with the brush only and no spray to prevent overwetting the carpet. Turn off the MASTER switch and press the CARPET CLEANING button. Be careful not to fray the carpet fibers. Turn MASTER switch on again to resume spray operation.

7. Release the CARPET CLEANING button, but continue to pull the extractor toward you one foot (30cm) This vacuums up excess spray. Then push down on the handle and roll the machine forward to the next area to be cleaned, overlapping about 2 inches (5cm).

**NOTE:** If the brush stops during use, unplug the power cord and dislodge any obstructions near the brush. Push the BRUSH RESET button located under the switch box.

8. While you clean, dirty water will fill the recovery tank. Watch for foam buildup. If foam does appear, pull the vacuum hose out of the recovery dome. Pour about 3 tablespoons (44ml) of Defoamer into the dome opening with the vacuum motor running to draw defoamer into the tank.

**IMPORTANT:** Do not allow water or foam to enter the vacuum screen. The ball float will not stop foam and damage to the vacuum (not covered by warranty) will result.

9. When the clean water bladder is empty, the recovery tank *must* be emptied. To empty the recovery tank, turn the extractor off and position a discharge bucket under the drain hose. Do not use the same bucket for filling the clean water bladder! Unscrew the drain hose handle to empty the dirty water. Recap the drain hose tightly before cleaning again.
10. Drain the recovery tank and rinse both the tank and recovery dome thoroughly to prevent odor buildup.
11. Turn the height adjustment knob clockwise to raise the brush to storage position. This prevents putting a flat spot on the brush.

## UPHOLSTERY CLEANING

The Extractor cleans most synthetic upholstery very well. Fabrics like Herculon and synthetic velvets will clean with excellent results. *Extraction is not recommended for most cottons, silks, wools or natural fiber velvets.* Check the cleaning instructions sewn in the furniture by the manufacturer for further instructions. Extra caution should be taken with furniture that has been re-upholstered. Any material under the new upholstery may bleed and discolor the new fabric.

1. Vacuum the upholstery before cleaning.
2. TEST THE FABRIC FOR COLORFASTNESS. Pour a small amount of cleaning solution on a white cloth. Hold the damp portion of the cloth against an area of upholstery which is hidden from view. Hold it there for 60 seconds. If no color transfers to the cloth, it should be safe to clean. However, always use your best judgement.
3. Remove the vacuum hose from the recovery dome and connect the accessory vacuum hose in its place.
4. Connect the accessory solution hose to the upholstery connection.

## OPERATION

---

5. Activate the MASTER switch.
6. Begin cleaning by squeezing trigger on accessory tool to spray cleaning solution.

**NOTE:** *Be careful not to overwet upholstery. Overlap your strokes to avoid streaking. Go over clean areas again using only the vacuum to get fabric as dry as possible.*

7. When finished cleaning, turn off the MASTER switch, drain the recovery tank and rinse it thoroughly.

**⚠ WARNING:** The solution hose contains pressurized cleaning solution which can spray when the hose is disconnected. Relieve pressure before disconnecting the hose by squeezing hand tool trigger for five seconds after turning off MASTER SWITCH.

8. After you have relieved pressure in the solution hose as directed above, disconnect the solution and vacuum hoses.

---

## RECOMMENDED MAINTENANCE

---

For ease of servicing, the extractor's tank is hinged to pivot away from the chassis to allow access to the inner components. To open the extractor for servicing, follow these steps:

- a. Remove the two hex-head bolts at the front of the machine using a 9/16" wrench.
- b. Lift the tank upward, away from the chassis.

To keep your Extractor in top condition perform these preventive steps at the intervals indicated.

1. Thoroughly rinse the recovery tank and the recovery dome after every use.
2. Clean the screen inside the bladder, the brush, and the vacuum screen after every use.
3. Every forty hours of operation, run acetic acid through the pump system to dissolve normal alkaline chemical buildup. Follow the steps below:
  - a. Mix 16 oz. (.5 L) of acetic acid in the clean water bladder with 2 gal. (7.5 L) of hot water (140°F, 60°C maximum).
  - b. Hold a bucket under the spray jets to catch the spray.
  - c. Turn on the MASTER switch.
  - d. Push the CARPET CLEANING button until the acetic acid solution begins to spray through jets.
  - e. Allow the solution to remain in the system overnight in above freezing temperatures.

- f. In the morning, spray out acetic acid solution into a drain. Then run 3 gal. (11L) of clean water through the system to flush out impurities.

**IMPORTANT!** DO NOT ALLOW THE EXTRACTOR TO FREEZE WITH WATER IN THE PUMP SYSTEM. This can crack internal parts and cause damage, which is not covered by warranty. To avoid damage, run the pump dry before exposing the machine to freezing temperatures.

If the machine must be stored in freezing temperatures, be sure that the machine, pump and spraying system are completely drained and dry. Pour undiluted antifreeze into the clean water bladder and follow steps (b), (c) and (d) above using the antifreeze instead of acetic acid solution.

---

## GENERAL SERVICE POLICY

---

Whenever ordering parts or requesting any type of service, specify:

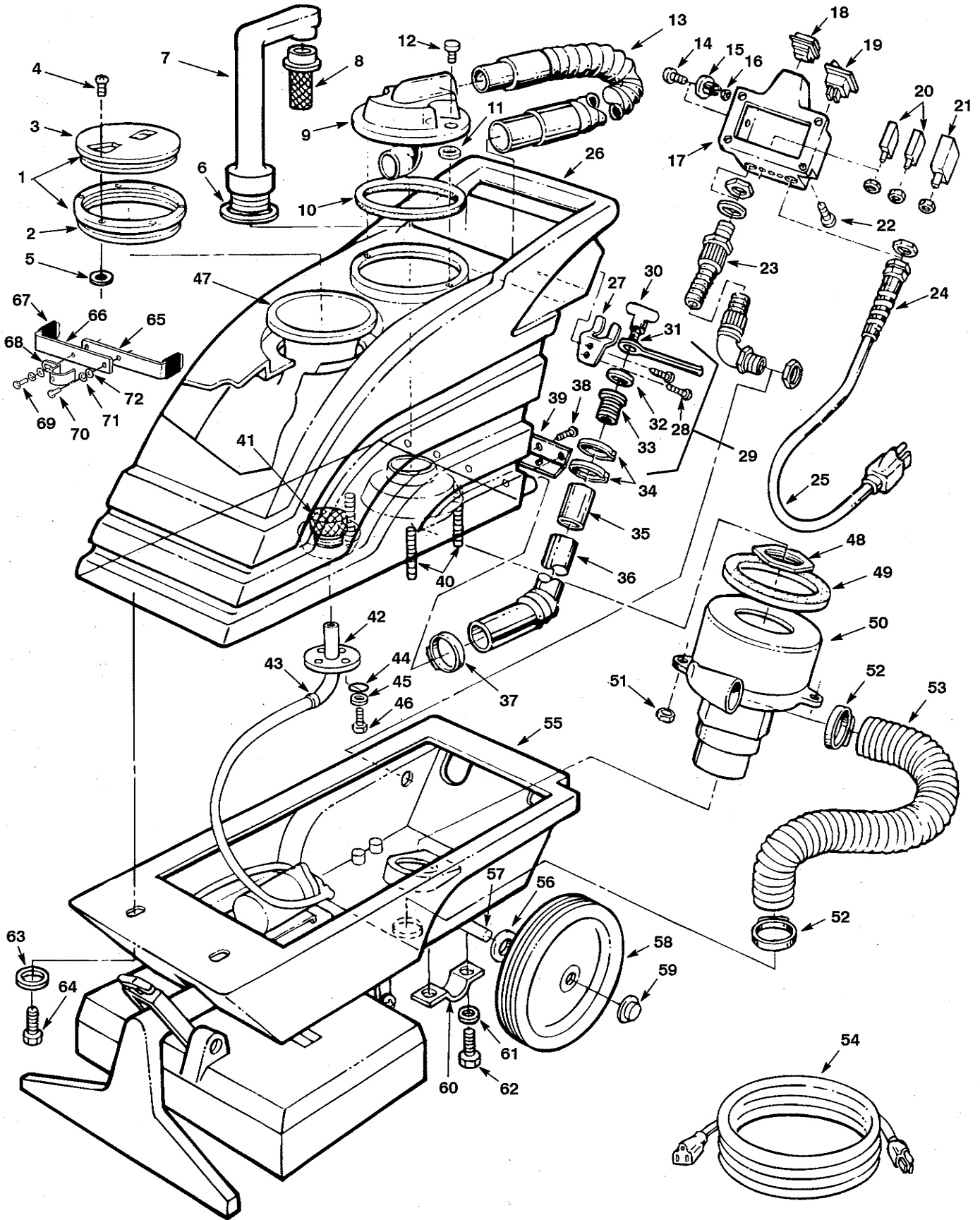
1. The model of the machine.
2. The serial number of the machine.
3. The part number.
4. The part description.

All parts returned to the factory must arrive prepaid with a Return Authorization Number. Always include your name, phone number and address.

TROUBLE SHOOTING

PROBLEM	CAUSE	SOLUTION
Uneven or no spray from jets.	Dirty or plugged spray jets.	Clean or replace jets.
	Improper jet size or improper spray angle.	Replace with proper jets. Check alignment of spray jets so all jets spray in a straight line. Use a 1/2" socket wrench to rotate jets until they are aligned. (You can order a special spray jet wrench p/n 230521).
	Worn spray jets.	Replace spray jets.
	Loose or broken wires to solenoid or faulty solenoid.	Repair wiring or replace solenoid.
	Master Switch is not ON.	Must have Master Switch on and push Carpet Cleaning button.
Solution pump will not run.	Fuse blown or circuit breaker tripped in building.	Relace fuse or reset breaker.
	Faulty MASTER switch or CARPET CLEANING switch.	Replace faulty switch.
	Loose wiring to solution pump.	Consult wiring diagram and repair the wire.
	Faulty solenoid or wiring loose to solenoid.	Repair loose wirng or replace the solenoid.
	Faulty solution pump.	Replace solution pump.
Little or no vacuum suction.	Fuse blown or circuit breaker tripped in building.	Find out if other appliances are plugged into the same circuit. Replace fuse or reset breaker. Plug extractor into a less heavily loaded circuit.
	Vacuum motor's circuit breaker tripped (this breaker is located in the switchbox).	There may be a shock hazard! Check wiring in machine carefully for a short-circuit and have proper repairs made by an authorized service center or electrician!
	Faulty MASTER switch.	Replace the faulty switch.
	Drain hose cap open or loose.	Cap the drain hose.
	Lint is clogging standpipe screen.	Remove recovery dome and clean lint off the screen.
	Air is leaking around dome.	Tighten recovery dome knobs.
	The vacuum hose is loose at the recovery tool or at the recovery dome.	Push hose firmly onto recovery tool and into recovery dome.
	Holes in vacuum hose or hose cuffs loose on the hose.	Replace the hose or thread the cuffs securely onto the hose.
	Defective vacuum motor.	Replace the vacuum motor.
Brush motor runs but brush does not spin.	Loose or broken drive belt.	Tighten belt by loosening the lock nut then pivot motor to tension belt. Retighten the lock nut. If belt is worn, replace it.
	Loose brush pulley or motor pulley.	Tighten the set screw on the loose pulley.
Brush motor does not run.	User is not pushing the CARPET CLEANING SWITCH.	Brush is activated only when CARPET CLEANING switch is pushed.
	Brush clogged with carpet lint or debris, which caused the BRUSH RESET button to trip.	Unplug the Power Eagle, then remove clogging lint and push BRUSH RESET button.
	Loose or broken wiring.	Consult the wiring diagram and repair the wire.

MAIN CHASSIS GROUP



## MAIN CHASSIS GROUP

Ref.	Part No.	Description	Qty.	Ref.	Part No.	Description	Qty.
∇1.	100103	ASM., LID, ASSEMBLY	1	51.	140501	NUT, LOCK	4
▲2.	100109	LID, OUTER RING ONLY (BLACK)	1	52.	140308	CLAMP	2
▲3.	100105	LID, CENTER ONLY (CLEAR)	1	53.	069760778	HOSE, EXHAUST 2" BLACK	2FT
4.	140900	SCREW, 10-24 X 3/4	6	54.	130250	CORD, 16/3X50' YLW 120V	1
5.	140000	WASHER, FLAT	6		130936	CORD, 18/3X75' BK 220V	1
6.	101714	GASKET	2	55.	602614	CHASSIS, BLUE	1
7.	602716	STANDPIPE, 8 GAL. MODEL	1		101320	CHASSIS, GRAY	1
	602448	STANDPIPE 10 GAL. MODEL	1	56.	140008	WASHER, FLAT	2
8.	180613	FLOAT, SHUT-OFF	1	57.	230739	AXLE	1
∇9.	701005	ASM., DOME	1	58.	103059	WHEEL, 10" GRAY	2
▲10.	100042	GASKET, RECOVERY DOME	1	59.	103019	CAP, HUB	2
▲11.	140037	WASHER, NYLON	2	60.	230746	BRACKET, AXLE	2
▲12.	240217	KNOB, DOME	2	61.	140016	WASHER, LOCK	4
13.	160464	HOSE, VAC 1-1/2 X 51" W/CUFFS	1	62.	140259	SCREW, 1/4-20X5/8	4
14.	140879	SCREW, 6-32 X 3/4	1	63.	140028	WASHER, FLAT	2
15.	130304	RECTIFIER, MINIBRIDGE - 600V	1	64.	140232	SCREW, 1/4-16X1 1/4	2
16.	140534	NUT, NYLON	1	65.	230843	*BRACKET, TANK BRACE W/THREADS	1
17.	700244	ASM., SWITCHBOX BLUE (120V)	1	66.	230844	*BRACKET, TANK BRACE W/HOLES	1
	100892	SWITCHBOX ONLY, BLUE (220V)	1	67.	102569	*GASKET, TANK	1
	603299	ASM., SWITCHBOX GRAY (120V)	1	68.	230955	*CLAMP	1
	100337	SWITCHBOX ONLY, GRAY (220V)	1	69.	140259	*SCREW, 1/4-20X5/8	1
18.	130441	SWITCH, PULSE (120V)	1	70.	140553	*SCREW, 1/4-20X1/2	1
	130716	SWITCH, PULSE (220V)	1	71.	140016	*WASHER, LOCK	2
19.	130717	SWITCH, ROCKER (120V)	1	72.	140010	*WASHER, FLAT	2
	130764	SWITCH, ROCKER (220V)	1	NS	130005	TERMINAL STRIP 220V (inside switchbox)	1
20.	578337000	BREAKER, CIRCUIT 1.5 AMP (120V)	2				
	130747	BREAKER, CIRCUIT 1.2 AMP (220V)	1				
21.	130670	BREAKER, CIRCUIT 12 AMP (120V)	1				
22.	140885	SCREW, 1/4-20X1/2	4				
23.	130977	HARNES, WIRE	1				
24.	130166	CORD GRIP 120V	1				
	130137	CORD GRIP 220V	1				
25.	130237	CORD, 16/3X18" YELLOW 120V	1				
	130662	CORD, 18/3X24" BLACK 220V	1				
26.	100199.DCL	TANK, REC. WHITE (8 GAL. MODEL)	1				
	101252	TANK, REC. WHITE (10 GAL. MODEL)	1				
	100470	TANK, REC. GRAY (10 GAL. MODEL)	1				
27.	230696.BK	BRACKET, DRAIN HOSE	1				
28.	140826	SCREW, #6X3/4	2				
∇29.	701061	ASM., DRAIN HOSE	1				
▲30.	230831	KNOB, DRAIN HOSE	1				
▲31.	230882	STRAP	1				
▲32.	140056	WASHER, FENDER	1				
▲33.	140955	PLUG	1				
34.	140072	CLAMP	2				
35.	140921	SLEEVE, DRAIN HOSE	1				
36.	160416	HOSE, DRAIN	1				
37.	140307	CLAMP	1				
38.	140885	SCREW, 1/4-20X1/2	7				
39.	230390	HINGE	1				
40.	140227	STUD, 1/4-20X5	3				
41.	180628	SCREEN, CLEAN WATER	1				
42.	600451	PLATE, BLADDER	1				
43.	140310	CLAMP	1				
44.	140000	WASHER, FLAT	2				
45.	140016	WASHER, LOCK	4				
46.	140259	SCREW, 1/4-20 X 5/8	4				
47.	602714	BLADDER, 8 GAL. MODEL	1				
	602715	BLADDER, 10 GAL. MODEL	1				
48.	210240	NUT, FLANGED	1				
49.	100118	GASKET, VAC MOTOR 120V	1				
	100038	GASKET, VAC MOTOR 220V	1				
50.	130996	MOTOR, VAC 5.7/3 STG 120V (10 GAL. MODEL)	1				
	600177	CARBON BRUSH	1				
	603042	COVER, VAC FAN	1				
	130403	MOTOR, VAC 5.7/2 STG 220V (10 GAL. MODEL)	1				
	190158	CARBON BRUSH	1				
	130416	MOTOR, VAC 5.7/3 STG 120V (8 GAL. MODEL)	1				
	190160	CARBON BRUSH	1				

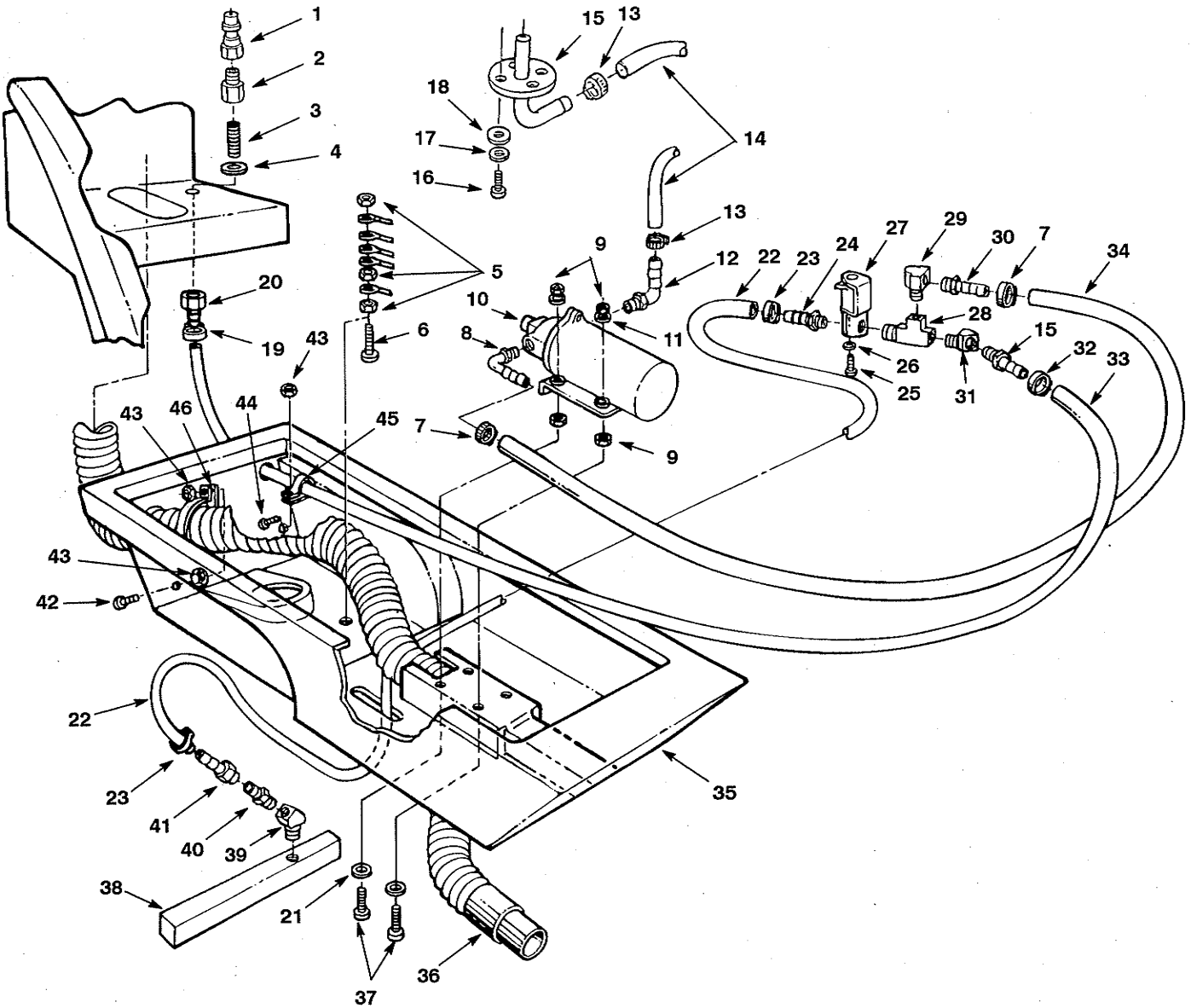
\* 10 Gallon Model Only.

## DECAL LIST

Ref.	Part No.	Description	Qty.
N/S	120101	DECAL, "CASTEX;" LOGO	1
N/S	120240	DECAL, "NOBLES" LOGO	1
N/S	120592	DECAL, INSTRUCTIONS	1
N/S	120906	DECAL, IMPORTANT: DRAIN ...	1
N/S	120907	DECAL, IMPORTANT: ALWAYS ...	1
N/S	120619	DECAL, WARNING EXTRACTORS	1
N/S	120617	DECAL, HEIGHT ADJUSTMENT	1
N/S	120399	DECAL, DO NOT ALLOW FOAM	1
N/S	121000	DECAL, SIDE RT, PE800	1
N/S	121001	DECAL, SIDE LT, PE800	1
N/S	120184	DECAL, SIDE RT, PE1000	1
N/S	120185	DECAL, SIDE LT, PE1000	1
N/S	603300	DECAL, SIDE RT, SCX1000	1
N/S	603298	DECAL, SIDE LT, SCX1000	1
N/S	603980	DECAL, SIDE RT, PE1016	1
N/S	603981	DECAL, SIDE LT, PE1016	1

N/S = Not Shown

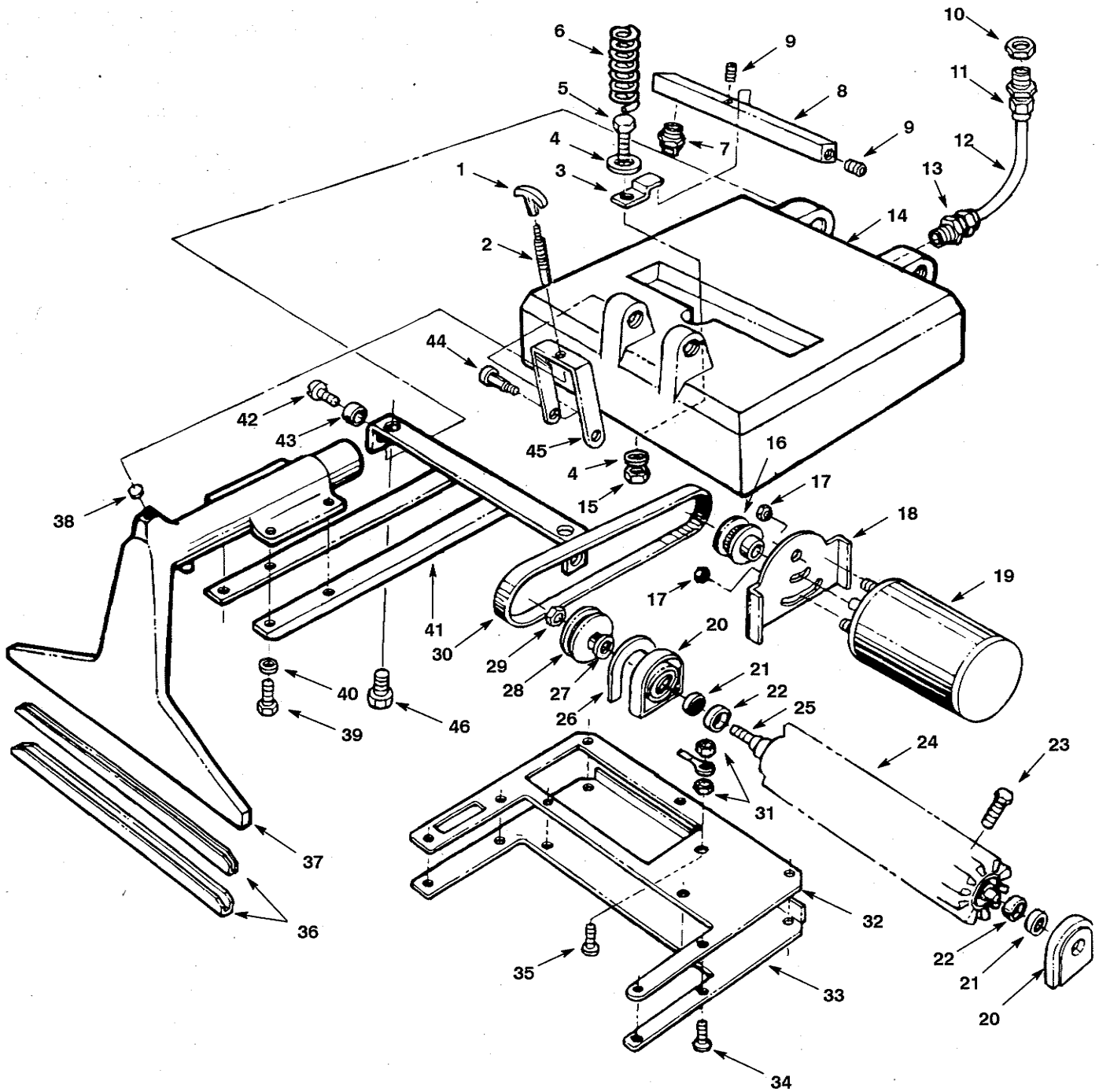
PLUMBING GROUP



PLUMBING GROUP

ITEM #	PART #	DESCRIPTION	QTY.	ITEM #	PART #	DESCRIPTION	QTY.
1.	150933	PLUG, QUICK COUPLER	1	32.	140301	CLAMP	1
2.	150000	ADAPTER, 1/4FX1/4M	1	33.	160207	HOSE, 3/8 LP (8 GAL. MODEL)	4.58FT
3.	150606	NIPPLE, HX 1/4 X 2	1		160207	HOSE, 3/8 LP (10 GAL. MODEL)	4.33FT
4.	140008	WASHER, FLAT	1	34.	160220	HOSE, CONTENDER 1/2"	2FT
5.	140519	NUT, KEP	3	35.	602614	CHASSIS, BLUE	1
6.	140899	SCREW, 10-24 X1 1/4	1		101320	CHASSIS, GRAY	1
7.	140306	CLAMP, HOSE	2	36.	160464	HOSE, VAC 1-1/2 X 53" W/CUFFS	1
8.	150425	ELBOW	1	37.	140899	SCREW, 10-24X1-1/4	4
9.	140519	NUT, KEP	8	38.	230267	MANIFOLD, SPRAYBAR 16"	1
10.	180103	PUMP, 120V	1		230379	MANIFOLD, SPRAYBAR 20"	1
	180109	PUMP, 220V/240	1	39.	150422	ELBOW, STRT 1/8MX1/8F	1
11.	140012	WASHER, FLAT	4	40.	150616	ADAPTER, 1/8NPTMX1/4	1
12.	150412	ELBOW	1	41.	150526	HOSE BARB, 1/8NPTFX1/4H	1
13.	140310	CLAMP	2	42.	140804	SCREW, 10-24X1	1
14.	160207	HOSE, 3/8 LP GRAY	2.58FT	43.	140552	NUT, LOCK	3
15.	600451	PLATE, BLADDER	1	44.	140891	SCREW, 10-24X5/8	1
16.	140259	SCREW, 1/4-20X5/8	4	45.	140323	CLAMP	1
17.	140016	WASHER, LOCK	4	46.	140327	CLAMP	1
18.	140000	WASHER, FLAT	4				
19.	140310	CLAMP	1				
20.	150511	HOSE BARB	1				
21.	140011	WASHER, FLAT	4				
22.	160204	HOSE, 1/4" LP GRAY	1.33FT				
23.	140325	CLAMP	2				
24.	150515	HOSE BARB	1				
25.	140801	SCREW, MCH 8-32 X 3/8	2				
26.	140023	WASHER, LOCK	2				
27.	210033	VALVE, SOLENOID 120V 60HZ	1				
	210036	VALVE, SOLENOID 220V 50HZ	1				
	210037	VALVE, SOLENOID 100V 50HZ	1				
	210260	VALVE, SOLENOID 240V 50HZ	1				
28.	150709	TEE, STREET	1				
29.	150406	ELBOW, STREET	1				
30.	150517	HOSE BARB	1				
31.	150403	ELBOW, STRT	1				

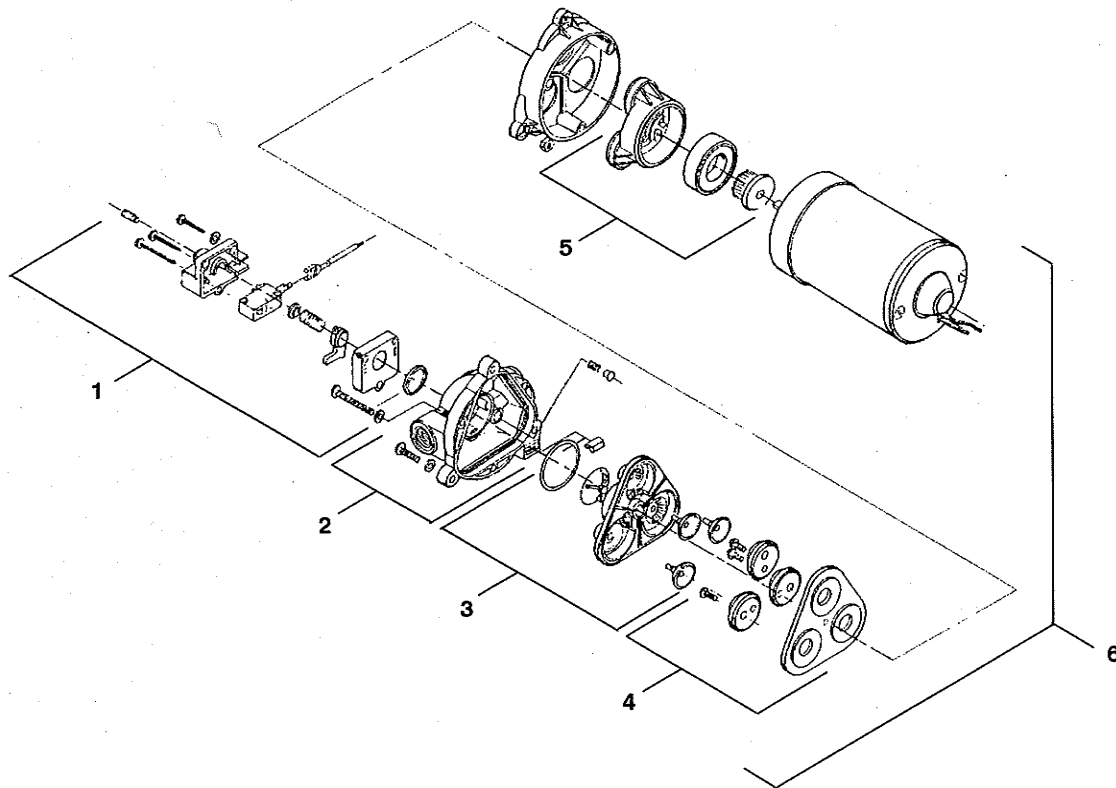
BRUSH GROUP



BRUSH GROUP

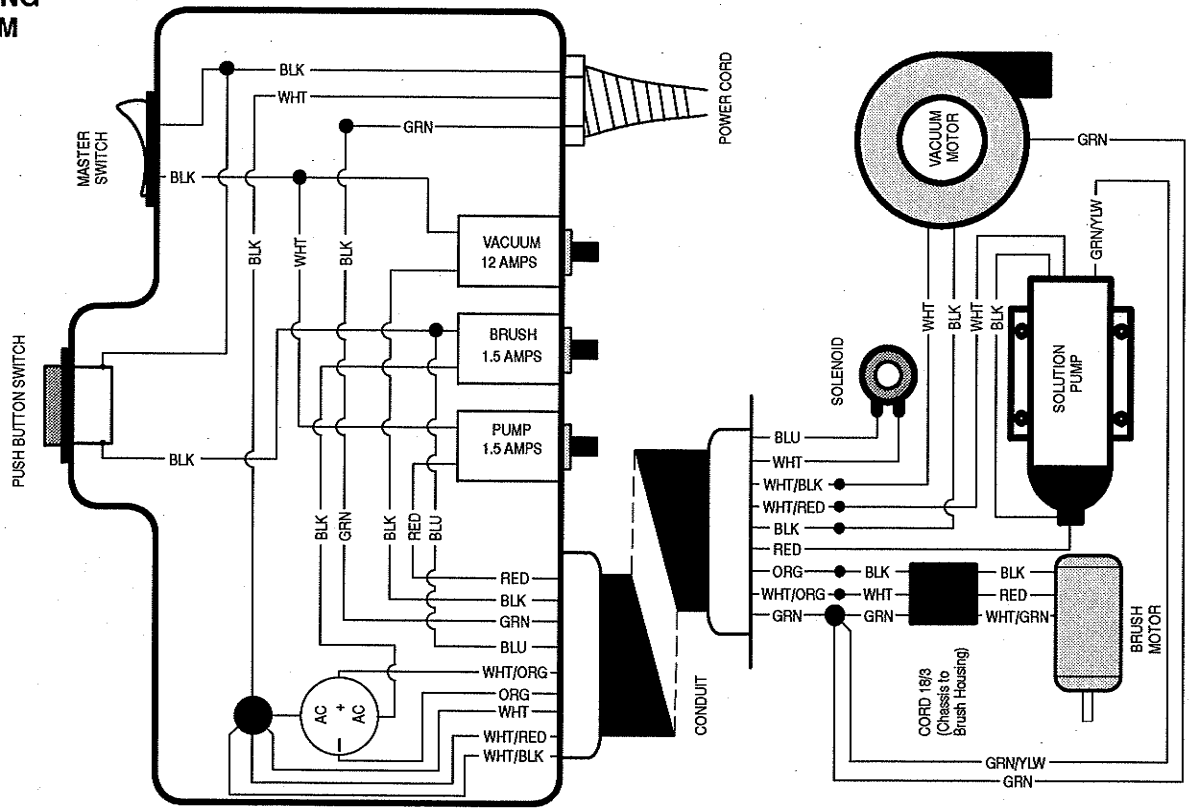
ITEM #	PART #	DESCRIPTION	QTY.	ITEM #	PART #	DESCRIPTION	QTY.
1.	240194	KNOB, HEIGHT ADJUSTMENT	1	25.	230257	SHAFT, BRUSH, 16" BASE	1
2.	230258	STUD, THREADED	1		230362	SHAFT, BRUSH, 20" BASE	1
3.	230264.BK	CLAMP, SPRAYBAR	1	26.	100005	GASKET	1
4.	140028	WASHER, FLAT	2	27.	230363	SPACER	1
5.	140232	SCREW, 3/8-16X1-1/4	1	28.	230505	PULLEY, BRUSH	1
6.	140441	SPRING	1	29.	140548	NUT	1
7.	201010	NOZZLE, #8002 16" BASE	4	30.	230507	BELT, BRUSH DRIVE	1
	201011	NOZZLE, #80015 20" BASE	5	31.	140519	NUT, KEP	2
8.	230267	MANIFOLD, SPRAYBAR 16" BASE	1	32.	100006	GASKET, 16" BASE	1
	230379	MANIFOLD, SPRAYBAR 20" BASE	1		100005	GASKET, 20" BASE	1
9.	150208	PLUG	3	33.	100734.BK	PLATE, BRUSH BASE 16" BLACK	1
10.	140504	NUT, CONDUIT	1		230367.BK	PLATE, BRUSH BASE 20" BLACK	1
11.	130137	CORD GRIP (FOR SERVICE ONLY)	1	34.	140887	SCREW, 10-24X3/8	12
12.	130662	CORD, 18/3 X 24" BLACK SJTO	1	35.	140890	SCREW, 10-24X1/2	1
13.	130181	CORD GRIP	1	36.	200956	SHOE, 16" FLOOR TOOL	2
14.	100785.DCL	BASE, BRUSH, BLUE 16" (120V)	1		200825	SHOE, 20" FLOOR TOOL	2
	101339	BASE, BRUSH, GRAY 16" (220V)	1	37.	230706.BK	TOOL,PICKUP, BLACK 16" (120V)	1
	602690	BASE, BRUSH, BLUE 20" (120V)	1		230706.BL	TOOL,PICKUP, BLUE 16" (120V)	1
	602683	BASE, BRUSH, GRAY 20" (220V)	1		230840.BL	TOOL,PICKUP, BLUE 20" (120V)	1
15.	140515	NUT, LOCK	1		230840.BK	TOOL,PICKUP, BLACK 20" (220V)	1
16.	230506	PULLEY, MOTOR	1	38.	140919	SPACER	1
17.	140518	NUT, KEP 10-32	2	39.	140219	SCREW, 5/16-18X1	4
18.	230366	PLATE, MOTOR MOUNT	1	40.	140015	WASHER, LOCK	6
19.	130471	MOTOR, BRUSH DRIVE 120 V	1	41.	230459.BK	BRACKET,BRUSH MTG	1
	130472	MOTOR, BRUSH DRIVE 220V	1	42.	140898	SCREW, 3/8-16X3/4	2
20.	230261	BLOCK, BEARING	2	43.	140914	SPACER	2
21.	140125	BEARING	2	44.	140564	BOLT, SHOULDER	2
22.	100049	SEAL, BRUSH BEARING	2	45.	230461.BL	BRACKET, BLUE HEIGHT ADJ.	1
23.	140554	SCREW, 1/4-20X3/4	4		230461.BK	BRACKET, BLACK HEIGHT ADJ.	1
24.	240004	BRUSH, CYLINDER 16" BASE	1	46.	140226	SCREW, 5/16-18 x 5/8	2
	240050	BRUSH, CYLINDER 20" BASE	1				

## PUMP BREAKDOWN

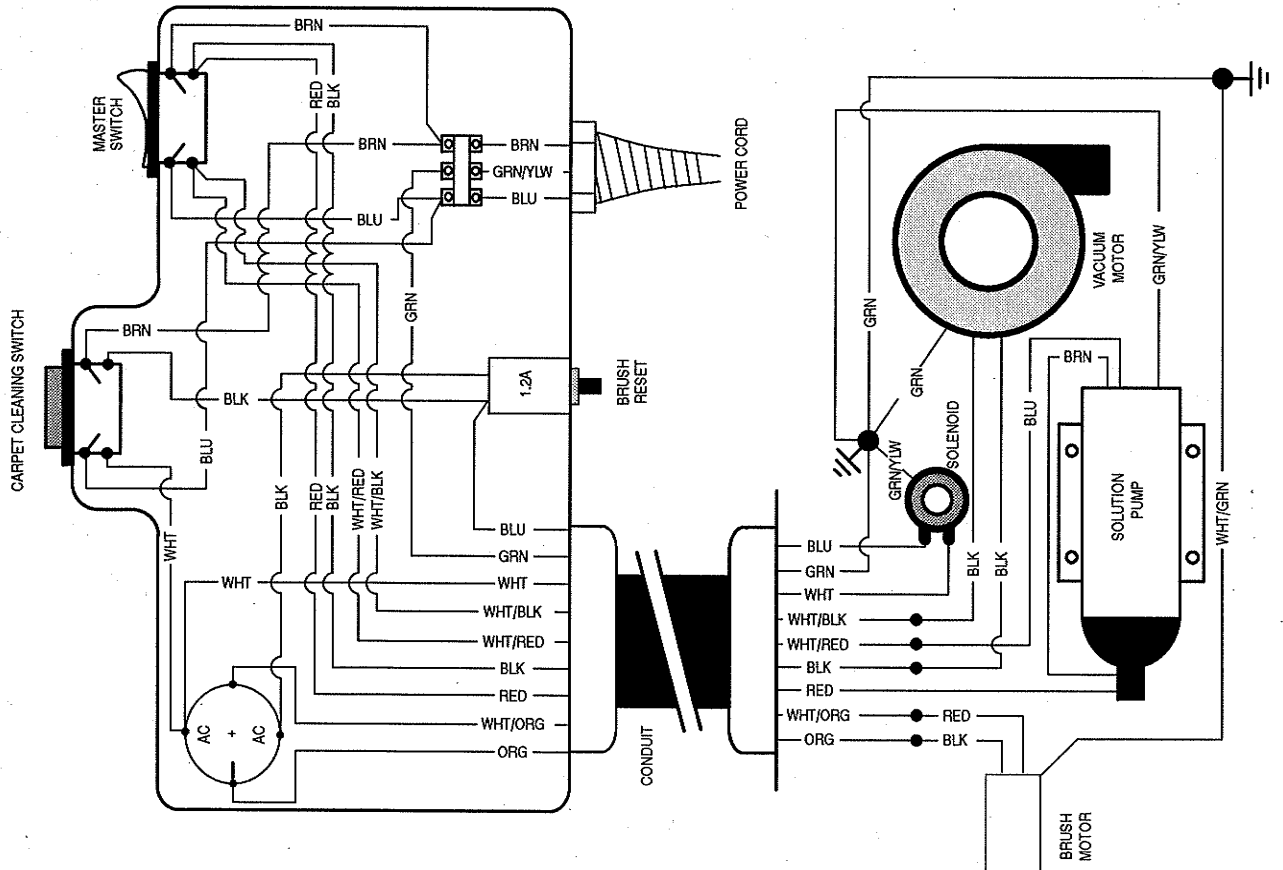


Ref.	Part No.	Description	Qty.	Ref.	Part No.	Description	Qty.
1.	190129	KIT, PRESSURE SWITCH	1	3.	190171	KIT, VALVE (VITON)	1
1.	190172	KIT, PRESSURE SWITCH (VITON)	1	4.	190131	KIT, SERVICE	1
	190134	KIT, DIAPHRAGM ONLY	1	5.	190130	KIT, LOWER PUMP HOUSING	1
2.	190128	KIT, UPPER PUMP HOUSING	1	6.	180103	PUMP, 100 PSI 120V	1
	190124	KIT, CHECK VALVE ONLY	1		180109	PUMP, 100 PSI 240V	1

120V WIRING DIAGRAM

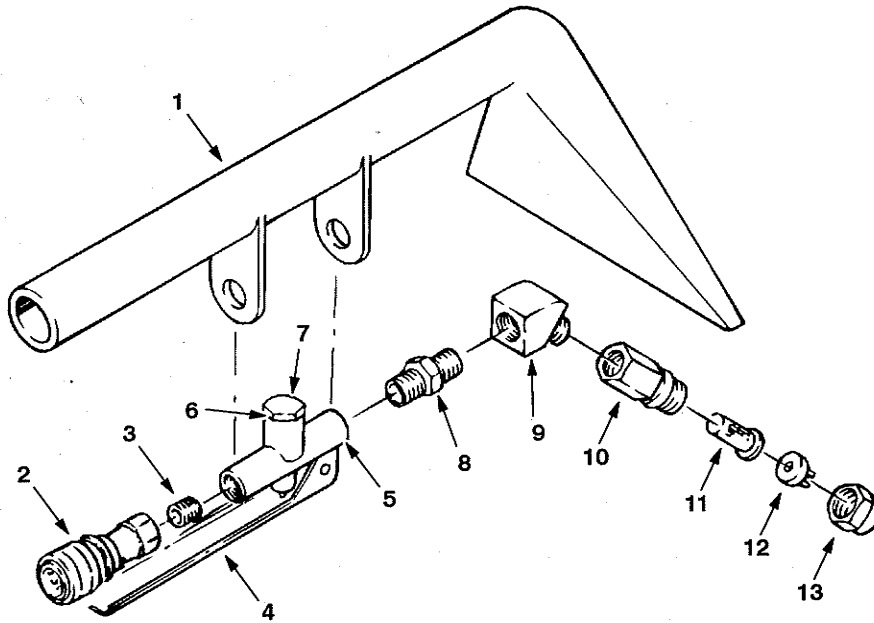


220V WIRING DIAGRAM



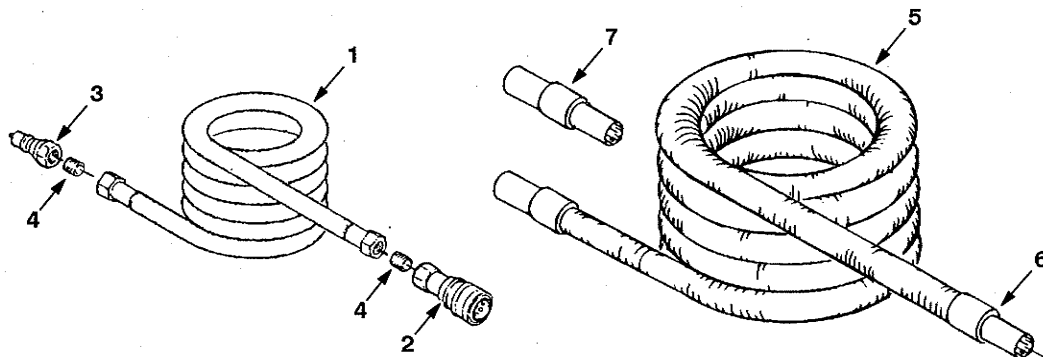
# OPTIONAL PARTS

## 5" HAND TOOL



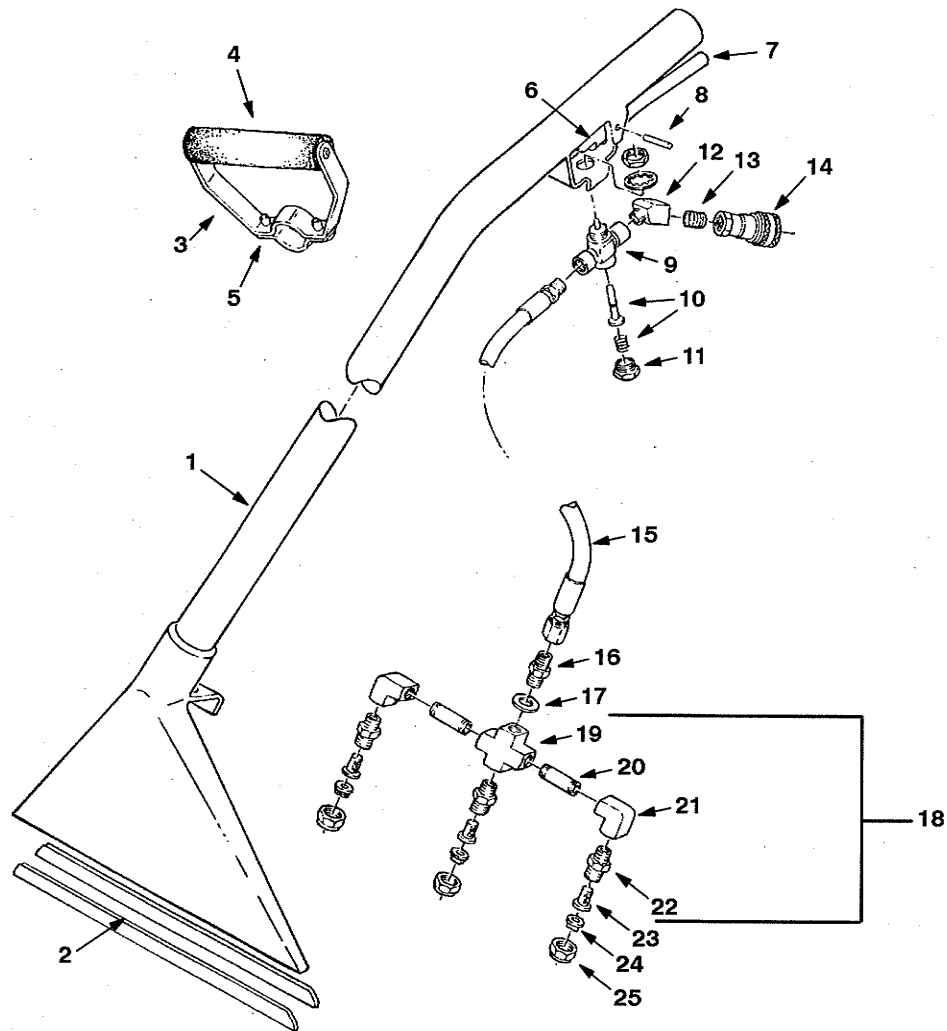
Ref.	Part No.	Description	Qty.
1.	200505	TOOL, HAND (COMPLETE)	1
	200431.BK	TOOL, HAND	1
2.	150913	COUPLER, QUICK (SER. 60)	1
3.	150615	NIPPLE, CLOSE	1
4.	200905	TRIGGER, HAND TOOL	1
5.	210210	VALVE, FLOW CONTROL	1
6.	190600	VALVE PIN & SPRING (NOT SHOWN)	1
7.	N/A	CAP, VALVE	1
8.	150606	NIPPLE, HEX 1/4	1
9.	150403	ELBOW, ST 1/4 45°	1
10.	200992	BODY, SPRAY 1/4F	1
11.	200996	SCREEN, SPRAY NOZZLE	1
12.	200965	TIP, SPRAY #8002	1
13.	200994	CAP, SPRAY BODY	1

## SOLUTION AND VACUUM HOSES



Ref.	Part No.	Description	Qty.
1.	160185	HOSE, SOLUTION 15'	1
	160186	HOSE, SOLUTION 25'	1
	160187	HOSE, SOLUTION 50'	1
2.	150913	COUPLER, QUICK SER. 60	1
3.	150933	PLUG, QUICK COUPLER	1
4.	150615	NIPPLE	2
5.	160400	HOSE, VACUUM 15' W/ CUFFS	1
	160401	HOSE, VACUUM 25' W/ CUFFS	1
	160402	HOSE, VACUUM 50' W/ CUFFS	1
6.	160430	CUFF, HOSE 1-1/2"	2
7.	160451	CONNECTOR, VACUUM HOSE 1-1/2"	1

FLOOR TOOL



Ref.	Part No.	Description	Qty.
	600048	FLOOR TOOL W/ S.S. SHOES (COMPLETE)	1
1.	200403.BK	TOOL, FLOOR	1
2.	200939	SHOES, S/S, FLOOR TOOL	2
3.	200927	GRIP, ADJUSTABLE (COMPLETE)	1
4.	200912	FOAM, GRIP	1
5.	140259	SCREW, 1/4X3/4	2
6.	200902	TRIGGER, FLOOR TOOL	1
7.	200809	SLEEVE, TRIGGER	1
8.	140605	PIN	1
	140520	NUT, PUSH (NOT SHOWN)	2
9.	210150	VALVE, FLOW CONTROL	1
10.	190603	KIT, VALVE PIN & SPRING	1
11.	N/A	CAP, HEX, VALVE	1
12.	150403	ELBOW, 1/4-45°	1
13.	150615	NIPPLE, CLOSE 1/4	1
14.	150913	COUPLER, QUICK SER. 60	1
15.	160170	HOSE, SOLUTION, LP	1
16.	150606	NIPPLE, HEX 1/4"	1
17.	140058	WASHER	1
∇18.	700062	ASM., SPRAY BAR	1
▲19.	150700	CROSS	1
▲20.	150600	NIPPLE	2
▲21.	150401	ELBOW, 90° 1/4FX1/4F	2
▲22.	200993	SPRAY BODY	3
23.	200996	SCREEN, SPRAY BODY	3
24.	200964	TIP	3
25.	200994	CAP, SPRAY BODY	3

