

Power Eagle 700

The self-contained upright



with brush

PDF Version of Manual by:
Michigan Company Inc.
2011 N. High St.
Lansing, Mich. 48906
(517) 484-9312
<http://www.Michco.Com>
Email: Shop@Michco.Com
(c) 1998 by Michco & Others.

Reference Manual

This Manual Revised 12-91



Machine Serial Number:



FOR COMMERCIAL USE ONLY

**READ MANUAL CAREFULLY
BEFORE OPERATING MACHINE**

Castex®

The Specialists in Carpet Maintenance

Castex Incorporated • A Tennant Company
12875 Ransom Street • Holland, MI 49424 U.S.A.
1-800-522-7839 • 616-786-2330

FAX: 1-800-678-4240 • CUSTOMER SERVICE: 1-800-365-6625

IMPORTANT SAFETY INSTRUCTIONS

SAVE THESE INSTRUCTIONS!

READ ALL INSTRUCTIONS BEFORE USING THE POWER EAGLE

WARNING: To reduce the risk of fire, electric shock, or injury:

1. Do not leave the Power Eagle when plugged in. Unplug from outlet when not in use and before servicing.
2. To avoid electric shock, use indoors only.
3. Do not allow the Power Eagle to be used as a toy. Close attention is necessary when used by or near children.
4. Use only as described in this manual. Use only Castex attachments.
5. Do not use with damaged cord or plug. If the Power Eagle is not working as it should, has been dropped, damaged, left outdoors, or dropped into water, return it to a service center.
6. Do not pull or carry by the power cord, use the cord as a handle, close a door on the cord, or pull cord around sharp edges or corners. Do not run appliance over cord. Keep the cord away from heated surfaces.
7. Do not unplug by pulling on the cord. To unplug, grasp the plug, not the cord.
8. Do not handle the plug or appliance with wet hands.
9. Do not put any object into openings in the Power Eagle. Do not use with any opening blocked; keep free of dust, lint, hair, and anything that may reduce air flow.
10. Keep hair, loose clothing, fingers and all parts of body away from openings and moving parts, including brush.
11. Do not pick up anything that is burning or smoking, such as cigarettes, matches, or hot ashes.
12. Do not use without screens in place.
13. Turn off all controls before unplugging.
14. Use extra care when cleaning on stairs.
15. Do not use to dispense or pick up flammable or combustible liquids such as gasoline or use in areas where they may be present.
16. Do not allow foam or water to enter the standpipe screen.
17. Connect to a properly grounded outlet only. See GROUNDING INSTRUCTIONS.

GROUNDING INSTRUCTIONS

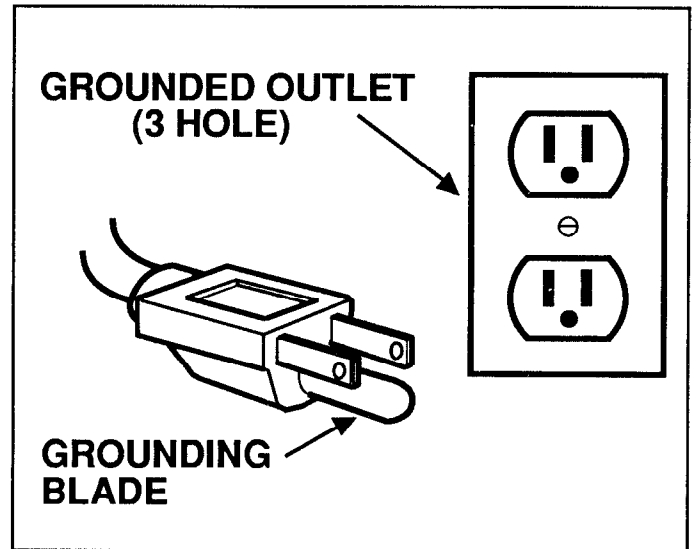
This appliance must be grounded. If it should malfunction or breakdown, grounding provides a path of least resistance for electric current to reduce the risk of electric shock. This appliance is equipped with a cord having an equipment-grounding conductor and grounding plug. The plug must be plugged into an appropriate outlet that is properly installed and grounded in accordance with all local codes and ordinances.

WARNING: Improper connection of the equipment-grounding conductor can result in a risk of electric shock. Check with a qualified electrician or service person if you are in doubt as to whether the outlet is properly grounded. Do not modify the plug provided with the appliance - if it will not fit the outlet, have a proper outlet installed by a qualified electrician.

This appliance is for use on a nominal 120 volt circuit, and has a grounded plug that looks like the plug illustrated in **Figure A**.

Make sure the appliance is connected to an outlet having the same configuration as the plug. No adapter should be used with this appliance.

FIGURE A



A. SET-UP AND OPERATION:

1. Fill the clean water tank, (7 U.S. gallons capacity), with hot water, (140° F, 60° C maximum). Add Castex Cleaning Agent to proper dilution ratio. See Figure 1.



Figure 1

IMPORTANT! Do not mix powdered chemicals in the Power Eagle's clean water tank. Mix powdered chemicals in a bucket before pouring into tank. Powders are unlikely to dissolve completely, resulting in clogging the solution pump system.

IMPORTANT! Use separate buckets to fill and empty the Power Eagle. Use a clean bucket to fill the Power Eagle, and empty dirty water into a separate bucket. Pouring dirty water in the clean water tank will clog the solution pump system.

2. Adjust the brush height to your carpet pile height. Turn the height adjustment knob to raise or lower the brush to your carpet pile height as shown on the height adjustment decal. See Figure 2.

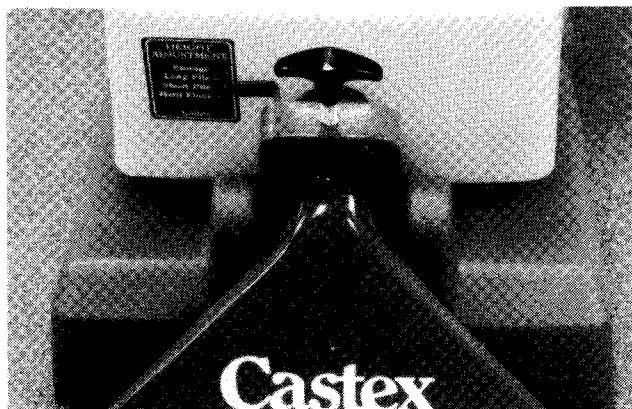


Figure 2

WARNING!!! To avoid an electrical hazard, the Power Eagle must be grounded while in use to protect the operator from electrical shock and serious personal injury!

3. Connect only to a grounded 120 volt A.C., (3 hole) electrical outlet. See Figure 3.

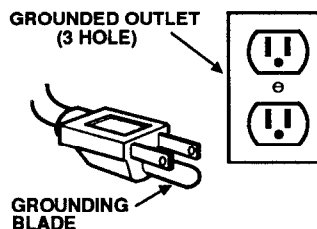


Figure 3

4. Connect extension cord, #54 to the Power Eagle's pigtail cord, #10, then attach the belt clip to your belt.
5. Turn on the MASTER switch.
6. Press and hold in the CARPET CLEANING button. Pull the machine towards you about four feet at a time. For best cleaning results, lift the Power Eagle handle slightly while pulling backward. This transfers weight of the machine to the pickup head for best water recovery.

NOTE: You can scrub stained areas with the brush only and no spray to prevent over wetting the carpet. Turn off the MASTER switch and press the CARPET CLEANING button. Be careful not to fray the carpet fibers.

7. Release the CARPET CLEANING button, but continue to pull the Power Eagle toward you another foot. This vacuums up excess spray. Then push down on the handle and roll the machine forward to the next area to be cleaned, overlapping about two inches.

NOTE: If the brush stops during use, unplug the Power Eagle and dislodge any obstructions near the brush. Then, push in the brush reset button located under the switch box.

8. While you clean, dirty water will fill the recovery tank. Watch for foam buildup. If foam does appear, turn on the vacuum motor, and draw Castex Defoamer into the recovery dome. See Figure 4.

IMPORTANT! Do not allow water or foam to enter the vacuum screen, #23. Damage to the vacuum, (not covered by warranty), will result.



Figure 4

9. When the clean water tank is empty, the recovery tank *must* be emptied. To empty the recovery tank, turn the Power Eagle off and position a discharge bucket under the drain valve down spout. **Do not use the same bucket for filling the clean water tank!** Pull the valve T-handle to empty the dirty water. Be certain this valve is closed before continuing operation.
10. When finished cleaning, use the three foot long cleanout hose, #36 to vacuum out left-over water from the clean water tank. Attach one end into the recovery dome, #26. Turn on the MASTER switch and use the other end to vacuum out left over water.

B. UPHOLSTERY CLEANING:

1. Remove the short vacuum hose, #29 from the recovery dome, #26 and connect the accessory vacuum hose in its place.
2. Connect the accessory solution hose to the upholstery connection, #142 at the back of the Power Eagle.
3. Activate the MASTER switch.
4. Begin cleaning by squeezing trigger on accessory tool to spray cleaning solution.

NOTE: Be careful not to overwet upholstery.

5. When finished cleaning turn off the MASTER switch and drain the recovery tank.

WARNING!!! The solution hose contains pressurized cleaning solution which can spray when the hose is disconnected. Relieve pressure before disconnecting the hose by squeezing Hand Tool trigger for five seconds after turning off MASTER SWITCH.

6. After you have relieved pressure in the solution hose as directed above, disconnect the solution and vacuum hoses.

C. GENERAL SERVICE POLICY:

Whenever ordering parts or requesting any type of service, specify:

1. The model of the machine.
2. The serial number of the machine.
3. The part number.
4. The part description.

All parts returned to the factory must arrive prepaid with a Return Authorization Number issued by Castex.

D. SUGGESTED MAINTENANCE:

For ease of servicing, the Power Eagle's tanks are hinged to pivot away from the metal chassis to allow access to the inner components.

To open the Power Eagle for servicing, follow these steps:

- a. Remove the two rear most hex-head screws, #96, (located under chassis, #98 near the wheels).
- b. Remove the two allen head screws, #77.
- c. Remove the two remaining hex-head screws, #89, (located at the front of the chassis, #98).
- d. Lift the tanks upward, away from the metal chassis, #98. (The vacuum tool, #49 will pivot upward with the tanks, #15 and #31).

To keep your Power Eagle in top condition perform these preventive steps at the intervals indicated.

1. Thoroughly rinse the recovery tank, #31 and the recovery dome, #26 after every use.
2. Clean the vacuum screen, #23, the clean water tank screens, #113, and the brush, #69 after every use.
3. Every forty hours of operation, run Castex Brown-Ex through the pump system to dissolve normal alkaline chemical buildup. Follow the steps below:
 - a. Mix two cups, (16 oz.), of Brown-Ex in the clean water tank with two gallons of hot water, (140° F, 60° C maximum).
 - b. Hold a bucket under the spray jets, #78 to catch the spray.
 - c. Turn on the MASTER switch.
 - d. Push the CARPET CLEANING button until the Brown-Ex solution begins to spray through jets.
 - e. Allow the solution to remain in the system overnight in above freezing temperatures.
 - f. In the morning, drain the Brown-Ex solution, then run three gallons of clean water through the system to flush out impurities.

IMPORTANT! DO NOT ALLOW THE POWER EAGLE TO FREEZE WITH WATER IN THE PUMP SYSTEM. This can crack internal parts and cause damage, which is not covered by warranty. To avoid damage, always run the pump dry before exposing the Power Eagle to freezing temperatures.

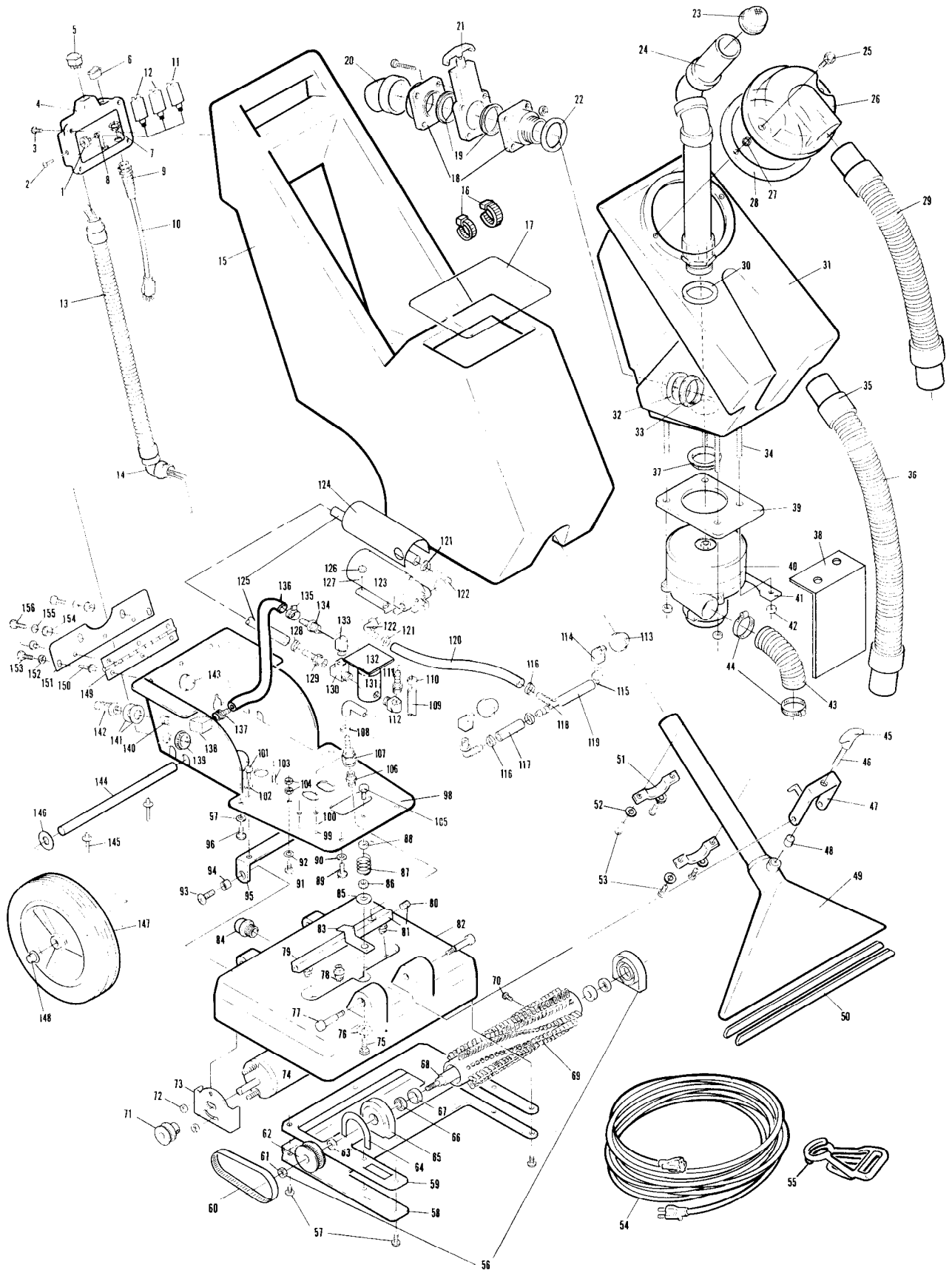
If the machine must be stored in freezing temperatures, be sure that the machine, pump, and spraying system are completely drained and dry. Pour antifreeze solution into the clean water tank and follow steps (b), (c), and (d) above using the antifreeze instead of Brown-Ex solution. Before using the Power Eagle to clean again, follow step (f) to flush out all antifreeze.

POWER EAGLE PARTS LIST

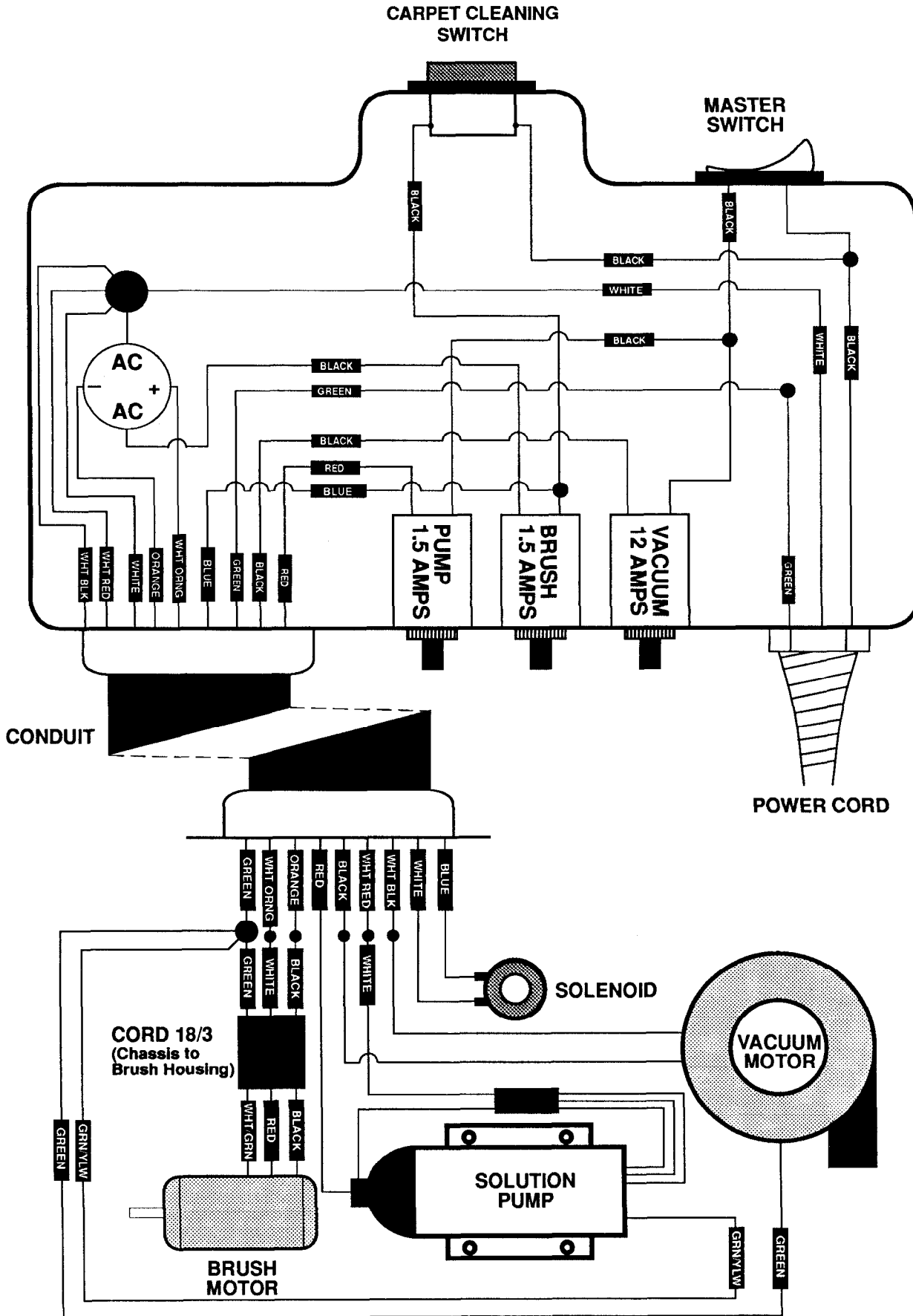
ITEM #	DESCRIPTION	PART #	QTY.	ITEM #	DESCRIPTION	PART #	QTY.
1.	RECTIFIER	130304	1	81.	SPRAYBAR 16" COMPL., (69, 107, 109, 110)	700860	1
2.	SCREW, MACHINE 6-32 X 3/4 SLOT NYLON	140879	1	82.	HOUSING, BRUSH 16" ROTOMOLDED BLUE	100785	1
3.	SCREW, 1/4-20 X 3/4 PHIL. S/S	140889	4	83.	CLAMP, SPRAYBAR MANIFOLD BLACK	230264.BK	1
4.	SWITCHBOX, EAGLE	100611	1	84.	CORDASSY.#18/3X24" BLACKW/CORDGRIPS	130671	1
5.	SWITCH, MOMENTARY, 120 VOLT	130441	1	85.	WASHER, FLAT 3/8 SAE - S/S	140036	2
6.	SWITCH, ROCKER ON/OFF, 120/220 VOLT	130717	1	86.	NUT, LOCK - NYLON INSERT 3/8-16 S/S	140515	1
7.	NUT, LOCK 3/8 CONDUIT	140549	1	87.	SPRING, POWER BRUSH - .845 OD	140407	1
8.	NUT, NYLON 6-32	140534	1	88.	NUT, LOCK NYLON INSERT 3/8-16 S/S	140515	1
9.	CORD GRIP, LIQUID TIGHT - FLEX NYLON	130166	1	89.	SCREW, HEX HEAD CAP 1/4/20 X 1/2 S/S	140553	2
10.	CORD, 16/3 X 18" YELLOW 4" END STRIP	130237	1	90.	WASHER, EXTERNAL LOCK TOOTH 1/4"	140052	8
11.	BREAKER, CIRCUIT 12 AMP	130670	1	91.	SCREW, MACHINE 10-24 X 5/8 PHIL. S/S	140891	1
12.	BREAKER, CIRCUIT 1.5 AMP	130760	2	92.	WASHER, EXTERNAL LOCK TOOTH #10 ZINC	140031	1
13.	HARNESS, WIRING UL EAGLES	130977	1	93.	SCREW, MACH. 3/8-16 X 3/4 TRUSS HD.PHIL.	140898	2
14.	FITTING, ELBOW 1/2"	130242	1	94.	SPACER, NYLON .375 ID X .5 X .25 WIDTH	140914	2
15.	CLEAN WATER TANK HOUSING	100610	1	95.	BRACKET, HINGED MOUNT, BLUE	230293.BL	1
16.	WIRE TIE, NYLON 6" X .115"	130040	2	96.	SCREW, HEX HEAD CAP 1/4/20 X 1/2 S/S	140553	2
17.	COVER, DUST	230500	1	97.	WASHER, EXTERNAL LOCK TOOTH 1/4"	140052	2
18.	VALVE, DRN. W/METAL HANDLE, NO SPOUT	210242	1	98.	CHASSIS, HINGED EAGLE, BLUE	100726.BL	1
19.	VALVE, DRAIN GATE SEAL, (2 REQD)	210239	2	99.	MACHINE SCREW, 8-32 PHIL. X 3/8 S/S	140801	2
20.	VALVE, DRAIN DOWNSPOUT	210232	1	100.	WASHER, INTERNAL LOCK TOOTH #8 S/S	140023	1
21.	HANDLE, METAL - DRAIN VALVE	210237	1	101.	SCREW, HEX HD.CAP 1/4-20 X 1/2 S/S	140553	2
22.	GASKET, DRAIN VALVE	210234	1	102.	WASHER, LOCK 1/4" - S/S	140016	2
23.	SCREEN, STANDPIPE	180612	1	103.	SCREW, MACHINE 10-24 X 1 PHIL. S/S	140804	2
24.	STANDPIPE ASSEMBLY	700144	1	104.	NUT, KEP 10-24 - S/S BULK	140519	2
25.	KNOB, RECOVERY DOME S/S	240217	2	105.	SCREW, HEX HD.CAP 3/8-16 X 1/2 S/S	140200	1
26.	DOME, RECOVERY, EAGLE	100112	1	106.	ADAPTER, BRASS 1/8 NPTM X 1/4, 37° TUBE	150616	1
27.	WASHER, NYLON SPLIT LOCK	140037	2	107.	HOSE BARB, BRASS SWIVEL 1/8 NPTF X1/4	150526	1
28.	GASKET, RECOVERY DOME	100042	1	108.	CLAMP, EAR 1/4 S/S	140325	1
29.	HOSE, VAC. 1 1/2" X 19-1/8 W/CUFFS	160421	1	109.	HOSE, 1/4" X 11" OF 160204	160204	.917 ft.
30.	O-RING, STANDPIPE	230159	1		HOSE GUARD 1/4" X 10" OF 160211	160211	.83 ft.
31.	RECOVERY TANK, EAGLE	100609	1	110.	CLAMP, EAR 1/4 S/S	140325	1
32.	GASKET, WASTE CHAMBER	101714	1	111.	HOSE BARB, 1/4 MPT X 1/4 H	150515	1
33.	NUT, METAL DRAIN VALVE	210240	1	112.	ELBOW, STREET - 90° 1/4 FPT X 1/4 MPT	150406	1
34.	STUD, FULL THREAD 1/4-20 X 5 ZINC	140238	4	113.	SCREEN, CLEAN WATER TANK	180628	2
35.	HOSE CUFF, 1-1/2 X 1-1/2	160430	2	114.	ELBOW, STREET - 45° 1/4 FPT X 1/4 MPT	150403	2
36.	HOSE, VACUUM 1-1/2 X 36" (CLEANOUT)	160423	1	115.	ELBOW, 90° NYLON 1/4 MPT X 3/8 HOSE	150415	2
37.	NUT, METAL DRAIN VALVE	210240	1	116.	CLAMP, PINCH #170	140301	5
38.	SHIELD, VACUUM	230503	1	117.	HOSE, 3/8" X 2" OF 160207 **	160207	2.90 ft.
39.	GASKET, VACUUM MOTOR (EAGLE)	100037	1	118.	TEE, 3/8 HOSE BARB, NYLON	160310	1
40.	MOTOR, VACUUM 5.7" 3 STAGE, 120 VOLT	130416	1	119.	HOSE, 3/8" X 2 3/4" OF 160207 **	160207	2.90 ft.
41.	BRACKET, SUPPORT	230237	1	120.	HOSE, 3/8" X 20" OF 160207 **	160207	2.90 ft.
42.	NUT, LOCK - NYLON INSERT 1/4" S/S	140501	4	121.	CLAMP, HOSE 5/16 TO 7/8 DIA. - S/S	140310	2
43.	HOSE, EXHAUST 2" X 24"	160838	1	122.	ELBOW, 90° NYLON 3/8 MPT X 3/8 HOSE	150412	2
44.	CLAMP, HOSE 1-5/16 TO 2-1/4 DIA. S/S	140308	2	123.	PUMP, SHURFLO 100 PSI, 120 VOLT	180103	1
45.	KNOB, HEIGHT ADJUSTMENT	240194	1	124.	SHIELD, PUMP	230508	1
46.	STUD, HEIGHT ADJUSTMENT S/S	230382	1	125.	HOSE, 3/8" X 10" OF 160207 **	160207	2.90 ft.
47.	BRACKET, HEIGHT ADJUSTMENT	230255.BL	1		HOSE GUARD 3/8" X 9" OF 160210	160210	.75 ft.
48.	SPACER, NYLON .375 X .12 THICK	140919	1	126.	NUT, KEP 10-24 S/S	140519	2
49.	TOOL, FLOOR 16" BLUE	200450.BL	1	127.	WASHER, FLAT 3/16" USS - ZINC	140012	2
50.	SHOE, 16" FLOOR TOOL, (1 EA.)	200956	2	128.	CLAMP, PINCH #170	140301	6
51.	CLAMP, FLOOR TOOL	140313	2	129.	HOSE BARB, BRASS 1/4 MPT X 3/8 HOSE	150516	2
52.	WASHER, LOCK 1/4" - S/S	140016	4	130.	TEE, STREET 1/4 FPT X1/4 FPT X 1/4 MPT	150709	1
53.	SCREW, HEX HEAD CAP 1/4-20 X 3/4 S/S	140554	4	131.	VALVE, SOLENOID, 120 VOLT, 60 HZ.	210033	1
54.	CORD, EXTENS. 16/3 X 50 FT YELLOW	130250	1	132.	SHIELD, SOLENOID	230509	1
55.	BELT CLIP ONLY, YELLOW, (not shown)	130176	1	133.	ELBOW, STREET - 90° 1/4 FPT X 1/4 MPT	150406	1
56.	BRUSH ASSY. 16" COMPLETE, (123 - 132)	700212	1	134.	HOSE BARB, BRASS, 1/4 MPT X 1/2 HOSE	150517	2
57.	SCREW, MACHINE 10-24 X 3/8 PHIL. S/S	140887	10	135.	CLAMP, HOSE 5/16 TO 7/8 DIA. - S/S	140310	2
58.	PLATE, BRUSH BLUE, (16")	100734.BL	1	136.	HOSE, 1/2" X 26" OF 160220	160220	2.16 ft.
59.	GASKET, POWER BRUSH BASE PLATE, (16")	100006	1		HOSE GUARD, 1/2" X 25" OF 160209	160209	2.08 ft.
60.	BELT, BRUSH DRIVE, (COGGED)	230507	1	137.	HOSE BARB, BRASS, 1/4 MPT X 1/2 HOSE	150517	2
61.	NUT, FINISHED JAM 5/16 - S/S	140548	1	138.	ELBOW, 90°, 1/4 FPT X 1/4 FPT	150401	1
62.	PULLEY, BRUSH, (COGGED) W/SCREW	230505	1	139.	HARNESS, WIRING UL EAGLES	130977	1
63.	SPACER, BRUSH - .625 OD X .328 ID X .125	230363	1	140.	NIPPLE, BRASS 1/4" CLOSE	150615	1
64.	GASKET, BEARING BLOCK	100005	1	141.	WASHER, FLAT 1/2" USS - BLUE	140033	2
65.	BLOCK, BEARING	230261	2	142.	PLUG, QUICK COUPLER SER. 60 FPT	150933	1
66.	BEARING, BRUSH	140125	2	143.	BUSHING, SNAP .875 ID - BLACK	130104	1
67.	SEAL, BRUSH BEARING	100049	2	144.	AXLE, HINGED EAGLE	230294	1
68.	SHAFT, BRUSH, (16" UNITS)	230257	1	145.	RIVET, POP 3/16 X .376-.500 S/S	140705	2
69.	BRUSH, CYLINDER, (16" UNITS)	240004	1	146.	WASHER, FLAT 1/2" USS S/S	140008	2
70.	SCREW, HEX HEAD CAP 1/4-20 X 3/4 S/S	140554	4	147.	WHEEL, 10" X 1.75 GRAY TREAD	103025	2
71.	PULLEY, MOTOR, (COGGED) W/SCREW	230506	1	148.	CAP, HUB	103019	2
72.	NUT, KEP 10-32 - S/S	140518	2	149.	HINGE, HINGED EAGLE	230290	1
73.	PLATE, MOTOR MOUNT	230366	1	150.	RIVET, POP 1/4 X .126 - .25 STEEL	140701	6
74.	MOTOR, BRUSH DRIVE 120 VOLT	130471	1	151.	PLATE, HINGED CHASSIS, BLUE	230291.BL	1
75.	SCREW, HEX HEAD CAP 3/8-16 X 1 3/4 S/S	140233	1	152.	WASHER, LOCK 1/4" S/S	140016	2
76.	WASHER, FLAT 3/8 SAE - S/S	140036	2	153.	SCREW, HEX HEAD CAP 1/4-20 X 3/4 S/S	140554	2
77.	BOLT, SHOULDER 3/8 X 3/4 SOCKET HEAD	140564	2	154.	GROMMET, RUBBER	180131	2
78.	NOZZLE, 1/8" BRASS #8002, NO SCREEN	201001	4	155.	WASHER, FLAT 1/4" SAE - ZINC	140010	2
79.	SPRAYBAR MANIFOLD, 16" PWR.BRUSH	230267	1	156.	SCREW, HEX HEAD CAP 1/4-20 X 3/4 S/S	140554	2
80.	PLUG, BRASS HEX HEAD 1/8 COUNTERSUNK	150208	3				

NOTE: ** Indicates 2.90 ft. hose is enough to replace all 160207 hose in machine.

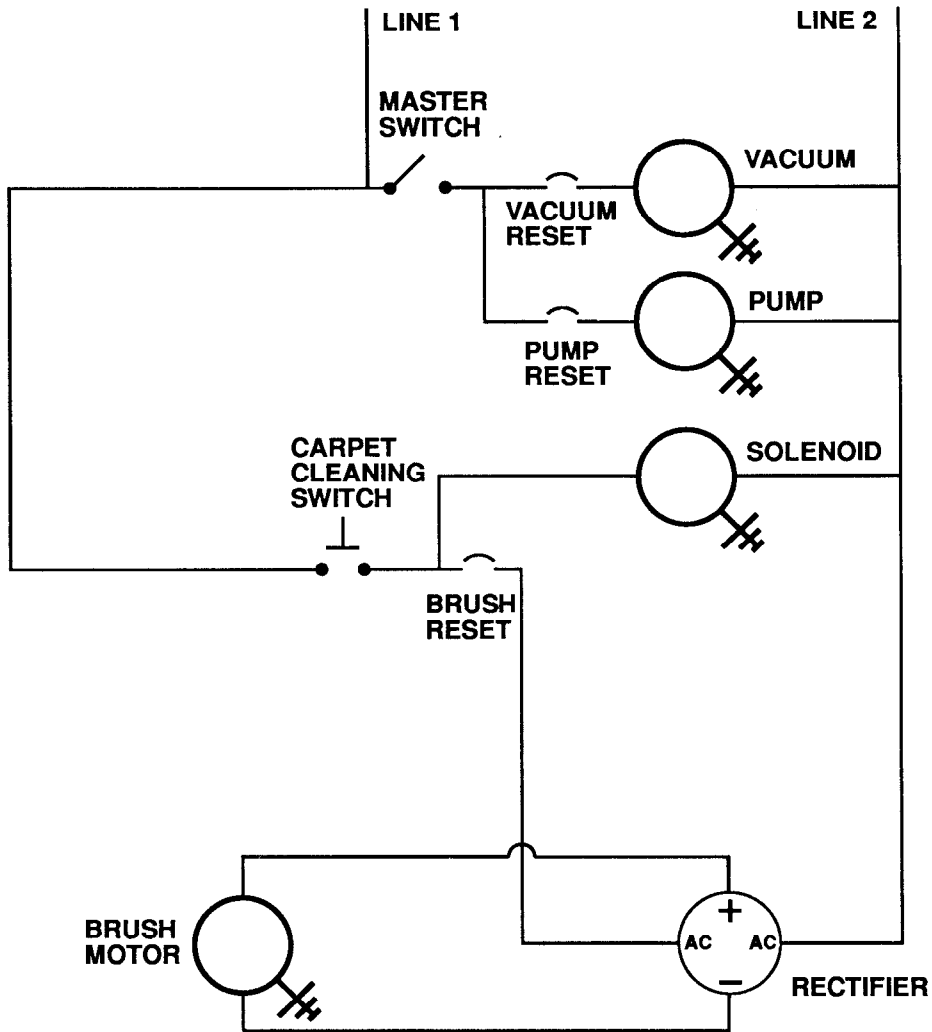
POWER EAGLE PARTS DIAGRAM



WIRING DIAGRAM

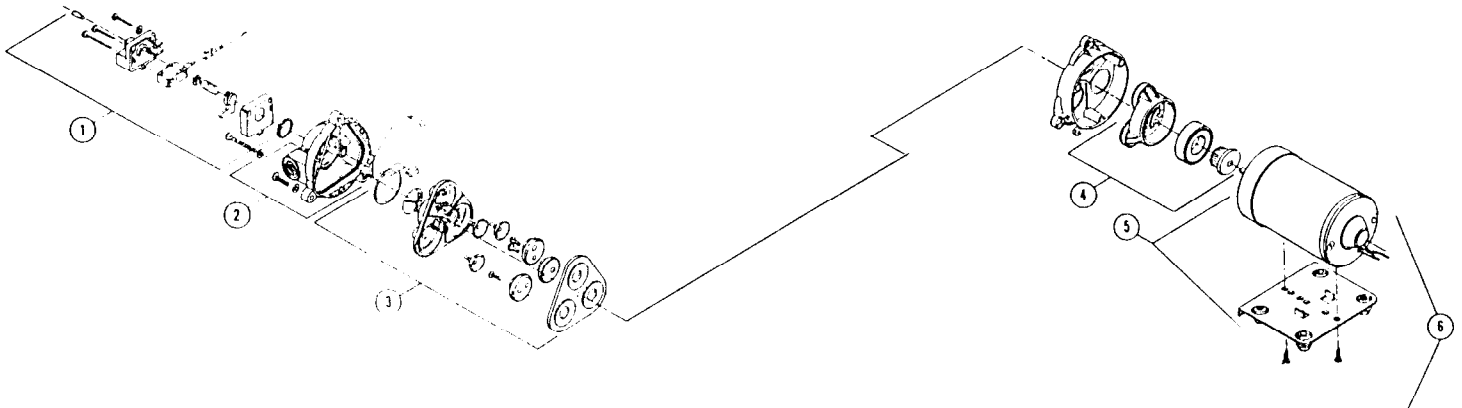


SIMPLIFIED LADDER WIRING DIAGRAM



SOLUTION PUMP DIAGRAM & PARTS LIST

ITEM #	DESCRIPTION	PART #	QTY.	ITEM #	DESCRIPTION	PART #	QTY.
1.	PRESSURE SWITCH	190129	1	4.	LOWER PUMP HOUSING KIT	190130	1
2.	UPPER PUMP HOUSING KIT	190128	1	5.	MOTOR ONLY	190125	1
3.	SERVICE KIT	190131	1	6.	SOLUTION PUMP 100 PSI, (COMPLETE)	180103	1



POWER EAGLE TROUBLE SHOOTING GUIDE

PROBLEM	CAUSE	SOLUTION
Uneven or no spray from jets.	1. Dirty or plugged spray jets, #78.	1. Clean or replace jets.
	2. Improper jet size, #78 or improper spray angle.	2. Replace with proper jets. Also check alignment of spray jets so all jets spray in a straight line. Use a socket wrench to rotate jet to alignment.
	3. Worn spray jets, #78.	3. Replace sprayjets.
	4. Loose or broken wires to solenoid, #131. Or faulty solenoid.	4. Repair wiring or replace solenoid.
	5. Master switch, #6 is not ON.	5. Must have MASTER switch ON and push CARPET CLEANING button.
Solution pump will not run.	1. Fuse blown or circuit breaker tripped in building.	1. Replace fuse or reset breaker.
	2. Faulty MASTER switch, #6, or CARPET CLEANING switch, #5.	2. Replace the faulty switch.
	3. Loose wiring to solution pump, #123.	3. Consult wiring diagram and repair the wire.
	4. Faulty solenoid, #131, or wiring loose to solenoid.	4. Repair loose wiring or replace the solenoid.
	5. Faulty solution pump, #123.	5. Replace solution pump.
Little or no vacuum suction.	1. Fuse blown or circuit breaker tripped in building.	1. Replace fuse or reset breaker.
	2. Faulty MASTER switch, #6.	2. Replace the faulty switch.
	3. Drain valve handle, #21 open.	3. Close the handle.
	4. Lint on top of standpipe screen, #23.	4. Remove recovery dome, #26 and clean lint off screen #23.
	5. Air is leaking around recovery dome, #26.	5. Tighten recovery dome knobs, #25.
	6. The short vacuum hose, #29 is loose at the recovery tool, #49 or at the recovery dome, #26.	6. Push hose firmly onto recovery tool and into recovery dome.
	7. Holes in short vacuum hose, #29 or hose cuffs loose on the hose.	7. Replace the hose or thread the cuffs securely onto the hose.
	8. Defective vacuum motor, #40.	8. Replace the vacuum motor.
Drain valve leaks.	1. Drain valve gaskets, #32, #22, or #19 worn.	1. Replace the worn gasket(s).
	2. Lint or dirt in drain valve, #18.	2. Clean the valve. If gate is worn, the valve may need replacement.

POWER EAGLE TROUBLE SHOOTING GUIDE

PROBLEM	CAUSE	SOLUTION
Brush motor runs but brush does not spin.	1. Loose or broken drive belt, #60.	1. Tighten belt by loosening lock nuts, #72, then pivot motor to tension belt. Retighten the two lock nuts. If belt is worn, replace it.
	2. Loose brush pulley, #62, or motor pulley #71.	2. Tighten the set screw on the loose pulley.
Brush motor does not run.	1. User is not pushing the CARPET CLEANING SWITCH.	1. Brush is only activated when CARPET CLEANING switch is pushed.
	2. Brush clogged with carpet lint or debris, which caused BRUSH RESET button to trip.	2. <i>UNPLUG THE POWER EAGLE</i> , then remove clogging lint and push BRUSH RESET button.
	3. Loose or broken wiring.	3. Consult wiring diagram and repair the wire.

The Castex Warranty Policy

An Ongoing Commitment to Customer Satisfaction

LIFETIME: You can qualify for a lifetime warranty on all components with the Castex Added Protection Plan (CAPP). When you use Castex chemicals, you receive CAPP coupons toward the purchase of Castex replacement parts or any item listed in this price list. Call Castex for more information on CAPP. You may never have to pay for a replacement part again.

10 YEAR: Subject to the conditions stated below, Castex warrants the rotationally molded polyethylene and fiberglass housings, aluminum frames and steel chassis for **10 full years** to the original purchaser on materials and workmanship.

5 YEAR: Subject to the conditions stated below, Castex warrants ALL components, materials and workmanship on the Cyclone Dryers for a full **5 years** to the original purchaser. The pump motor on the Magnum, Magnum DV and Magnum DVA is warranted for a period of **5 years** to the original purchaser on materials and workmanship.

3 YEAR: Castex offers a full **3 year** warranty to the original purchaser on all other Castex components as outlined below.

Exceptions: A **one-year warranty**, extended to the original purchaser, against manufacturer's defects and workmanship applies to all other components of the **Anser, Scout 27, Lite Trac, TV1200, Critical Filter Vacuums, battery chargers, all accessories, and any equipment used for rental purposes. Batteries are pro-rated for 1 year.**

Subject to the conditions and exceptions stated in this warranty, Castex Incorporated warrants the Castex product to be free from defects in material and workmanship, under normal use and service, for three years to the original purchaser. At any time within three years from date of delivery to the original purchaser, the company will furnish for the Castex product a replacement part. Such replacement part will be furnished to the owner and charged, including transportation charges, through any authorized Castex distributor or FOB the factory. If the part is returned for inspection by the factory and is found to be defective, the owner will be credited for the part, labor (as specified in the Warranty Flat Rate Schedule) and normal transportation charges only. Parts replaced or repaired under warranty are fully guaranteed for the remainder of the original warranty period. Replacement parts that have become defective through wear or abuse are not included in this warranty. See owner's manual to prevent abuse. This warranty does not apply to damage caused by accident, misuse, negligence, abuse, fire or to any Castex product which has been repaired by other than an authorized Castex distributor or factory personnel. Because this product is intended for commercial and/or industrial use, no warranty is extended to persons purchasing or using the equipment for personal, family or household uses. This warranty is void if products are used for any purpose other than that which was intended, and it is void if any cleaning compound other than Castex or Castex-approved products are used. There are no other warranties expressed or implied, including any implied warranties of merchantability or fitness for a particular purpose. Revised 03/94.

Castex Incorporated reserves the right to make changes and improvements to its equipment without notice.



**Cash in your
CAPP chemical
coupons for
any item in the
price list!**

Castex®

Castex Incorporated • A Tennant Company
12875 Ransom Street • Holland, MI 49424 U.S.A.
1-800-522-7839 • 616-786-2330

FAX: 1-800-678-4240 • CUSTOMER SERVICE: 1-800-365-6625