

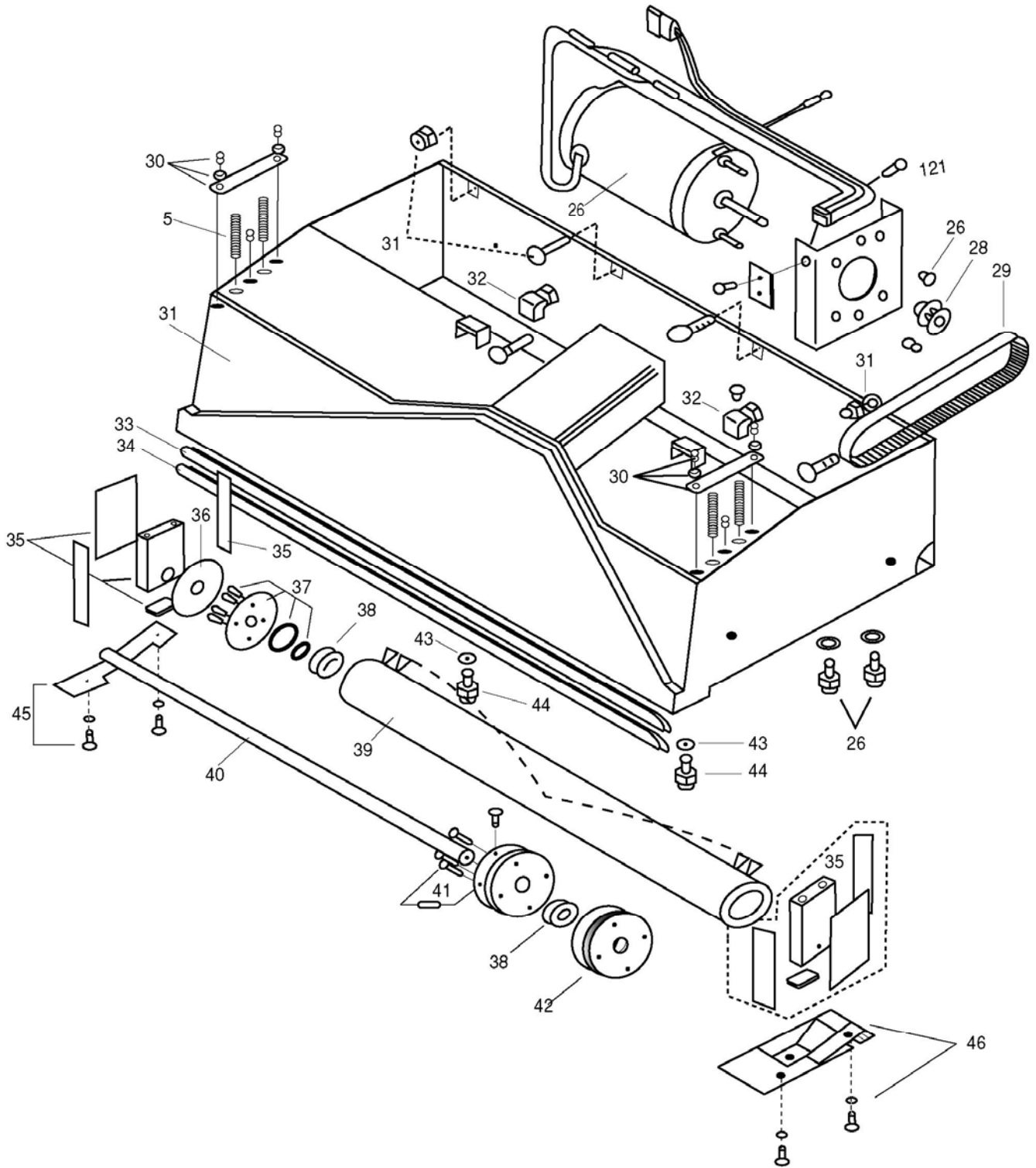
# PR700 Parts List

April 2001

Item	Description	Part #	Item	Description	Part #
1	CLIP, ADAPTER RETAINER	D02391	70	BUSHING, 1/8 MPX 1/4 C	A00125
2	HOSE, ADAPTOR 2" STANDARD	D02359	71	90° ELBOW, 1/8 MPX 1/4 C	A00132
	HOSE, ADAPTOR 1-1/2" (ACCS)	D02359-1	72	SOLENOID, 1/8 NPT(115V)	G02536
3	SEAL, VACUUM INTAKE	E02431	73	BRANCH TEE, MALE 1/8 NPT	A00152
4	SHAFT, LID PIVOT	D02373-1	74	NIPPLE, SHORT, 1/8 NPT	A00055
5	SPRING, DOME PIVOT	D02372	75	BUSHING, REDUCER, 3/8 NPT(50 PSI)	A00168-1
	SPRING, SLIDE BLOCK	D02372	76	90° ELBOW, 3/8 MPX 1/4C (50 PSI)	A00133
6	VACUUM LID ASSEMBLY	80491-1A	78	NUT, HEX	A00124
7	GASKET, VACUUM LID	E03431	80	SHAFTASSY, HANDLE	80418-6A
8	FILTER SCREEN ASSEMBLY, VACUUM LID	82407A	81	TUBE, SOLENOID TO R SPRAY TIP(17")	A00085-9
9	HOSE, VACUUM 2" ID	J00618	82	TUBE, SOLENOID TO SPRAY TIP(14")	A00085-12
10	PLUG, SOLUTION TANK	L00767	83	TUBE, PUMP TO ACCESSORY LINE	A00085-10
11	RECOVERY PAIL	F02465-6	84	TUBE, PUMP TO SOLUTION INTAKE LINE	A00085-11
12	DRAIN NOZZLE, 1/2 BARB X 1/2 BARB	A00165	85	SPACER, 3/16 THK, 1/2 ID, 1" OD	C00240
13	CLIP, ASSEMBLY, DRAIN HOSE	80263-3A	86	GASKET, VACUUM MOTOR	E02448
14	HOSE, DRAIN, 5/8 OD X 1/8 WALL	J00598	87	BRACKET, BRUSH DRIVE MOTOR	D02370
15	90° ELBOW, 1/2 MPX 3/8 BARB	A00138	88	PUMP, INTERNALBYPASS, 115V, 50 PSI	00512A
16	90° ELBOW, 1/2 MPX 5/8 BARB	A00099	89	LOWER FRAME ASSEMBLY	82359A
17	CLAMP, HOSE, 5/8	J00637	90	ADAPTER, 3/8 BARB X 1/4 FP	A00061
18	CLAMP, HOSE, 7/8	J00652	91	90° ELBOW, 1/4 FPX 1/4 MP	A00052
19	HOSE, SOLUTION, 3/8 ID	J00613	92	FILTER STRAINER, IN-LINE	K00709
20	LABEL, KIT	82570-1A		SCREEN, IN-LINE STRAINER	K00709-1
22	SOLUTION TANK ASSEMBLY	F02463-9		CAP, IN-LINE STRAINER	K00709-2
23	SOLUTION TANK MOUNTING KIT	82310A		GASKET	K00709-3
24	HOUSING, MOTOR, 17"	F02470-2	93	QUICK DISCONNECT, 1/4 FPX 1/4 FP	MP50535
26	BRUSH DRIVE MOTOR ASSEMBLY (115V)	82538A	94	SWITCH GUARD ASSEMBLY	82414A
27	WIRE ASSY, GROUND (BRUSH MOTOR)	00185-6A	95	COVER, ROCKER SWITCH	B00214-2
	WIRE ASSY, GROUND (VACUUM MOTOR)	00185-6A	96	SWITCH, LIGHTED, ROCKER	B02211-1
28	PULLEY, BRUSH DRIVE MOTOR	D00398-1	97	LIGHT, INDICATOR, GREEN LENS	B02196
29	BELT, TIMING	L00779-1	98	GRIP, HANDLE, BLACK	K00715B-1
30	COVER PLATE ASSEMBLY, SPRING	82378A	99	BOOT, FLEX, CIRCUITBREAKER	B02193
31	BRUSH CHAMBER ASSEMBLY (17")	82406A	102	HANDLE, ADJUSTABLE	D02403
32	90° ELBOW, 1/8 FPX 1/4C (17")	A00144	104	CIRCUITBREAKER, 3 A	D02192
33	GLIDE, BACK (17")	D02389-1	105	OUTLETASSYACCESSORY (OPTIONAL)	80188A
34	GLIDE, FRONT(17")	D02389	106	CORD WRAPASSEMBLY	82408A
35	SLIDE BLOCK ASSEMBLY	80500A	107	CORD ASSY, HANDLE TO LOWER FRAME	00185-28A
36	WASHER, SLIDE BLOCK 1/16 THK, 25/64 ID, 2"OD	F00504	108	GASKET, HANDLE	E03432
37	STRING GUARD ASSEMBLY	82235A	109	COVER PLATE ASSEMBLY	82409A
38	BEARING, BRUSH	G00536	110	LOCK NUT(115 AC)	B02214
39	BRUSH, ROTARY (17")	F02476	111	CORD, POWER (115 VAC)	B00221
40	SHAFT, BRUSH (17")	D02387	113	STRAIN RELIEF, POWER CORD (115VAC)	B02215
41	SLINGER ASSEMBLY, ROTARY BRUSH	82376A	121	MOUNTING BOARD	802171A
42	PULLEY, ROTARY BRUSH	D00398-2	128	TUBE, TIPCONNECTOR	A00085-15
43	WASHER, 3/32 THK, 7/16 ID, 5/8 OD (17")	C02298	129	BRANCH TEE, FEMALE	A00156
44	SPRAY TIP(17") 11004-1/8vv	A00091	130	FLOATING HEAD RETAINING PIN, ASSY	83374A
45	COVER PLATE ASSEMBLY, OPEN END	82368A	131	GLIDE, SIDE	80465A
46	COVER PLATE ASSEMBLY, PULLEYEND	82367A	132	ADAPTER, FRONTHEAD	83361A
47	LABELKIT, ENGLISH	H00563	133	HOSE, FRONTHEAD ASSY1-1/2"	J00618-1
48	PIVOTEXTENSION, LID FRAME	D02344	134	CLAMP, 1-1/4 X 1-7/16	J00656
50	PIN ASSEMBLY, RETAINING	82383A	136	FLOATING HEAD, FRONT	810078A
51	CLAMPASSEMBLY CORD	80187A	137	FLOATING HEAD, REAR, ASSY	810072A
52	CAP, END	K00712-4	138	BUTTON, GLIDE	F00464
53	GASKET, COOLING AIR DUCT	E02450	139	SEAL, SLIDE BLOCK	E03434
54	HOSE, EXHAUST, 2"	J00654	140	WIRE CONNECTOR ASSYHANDLE JUMPER	00185-37A
55	DUCT, COOLING AIR	D02394	143	HARNESS, POWER CORD TO SWITCHES	00185-30A
56	FRAME, UPPER	D02397	150	GASKET, VACUUM VALVE GUIDE	80459A
58	WHEELASSEMBLY	82535A	156	ADAPTER, PLATE VALVE GUIDE	D03363
59	BUSHING	K00674	158	GUIDE, VACUUM VALVE ASSY	D03345
60	AXLE, WHEEL	D02398	162	HARNESS, SWITCHES	00185-42A
61	MUFFLER KIT(OPTIONAL)	81331A	163	GASKETHORN	E02441
63	VACUUM MOTOR MOUNTING HARDWARE	80317-3A	164	CLAMP, HOSE SCREWTYPE	J00639
64	LOOM, CORRUGATED	F00463	165	HOSE ASSY, VACUUM EXHAUST	800618A
65	VACUUM MOTOR, 3 STAGE, 115V	02517-2A	166	SCREW, MACHINE, HEX HEAD, 1/4-20 X 1-1/4	C02310
			167	90° ELBOW, 1/4 FPX 1/4 FP	A00154

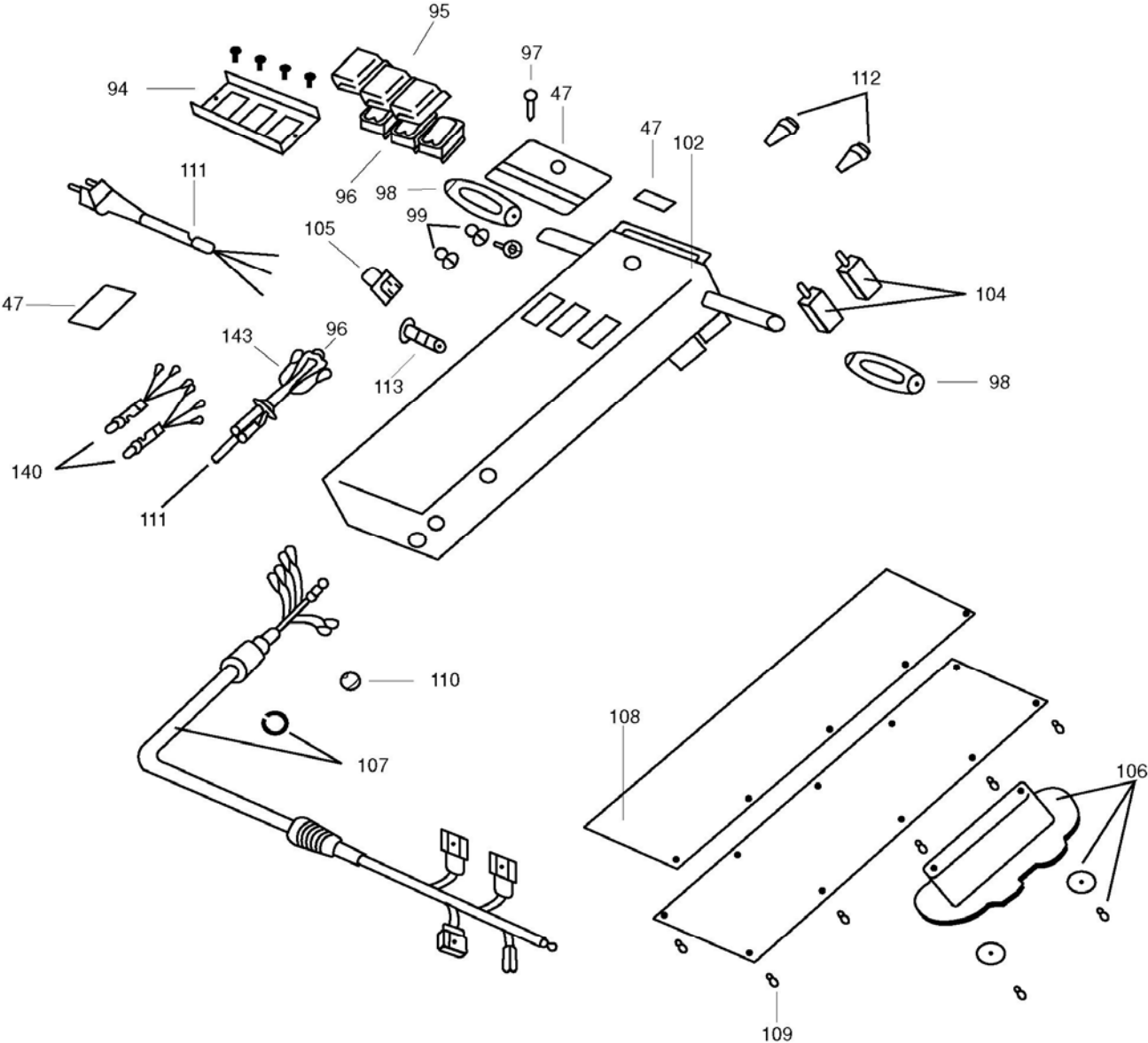
# PR700 Brush Assembly

APRIL 2001



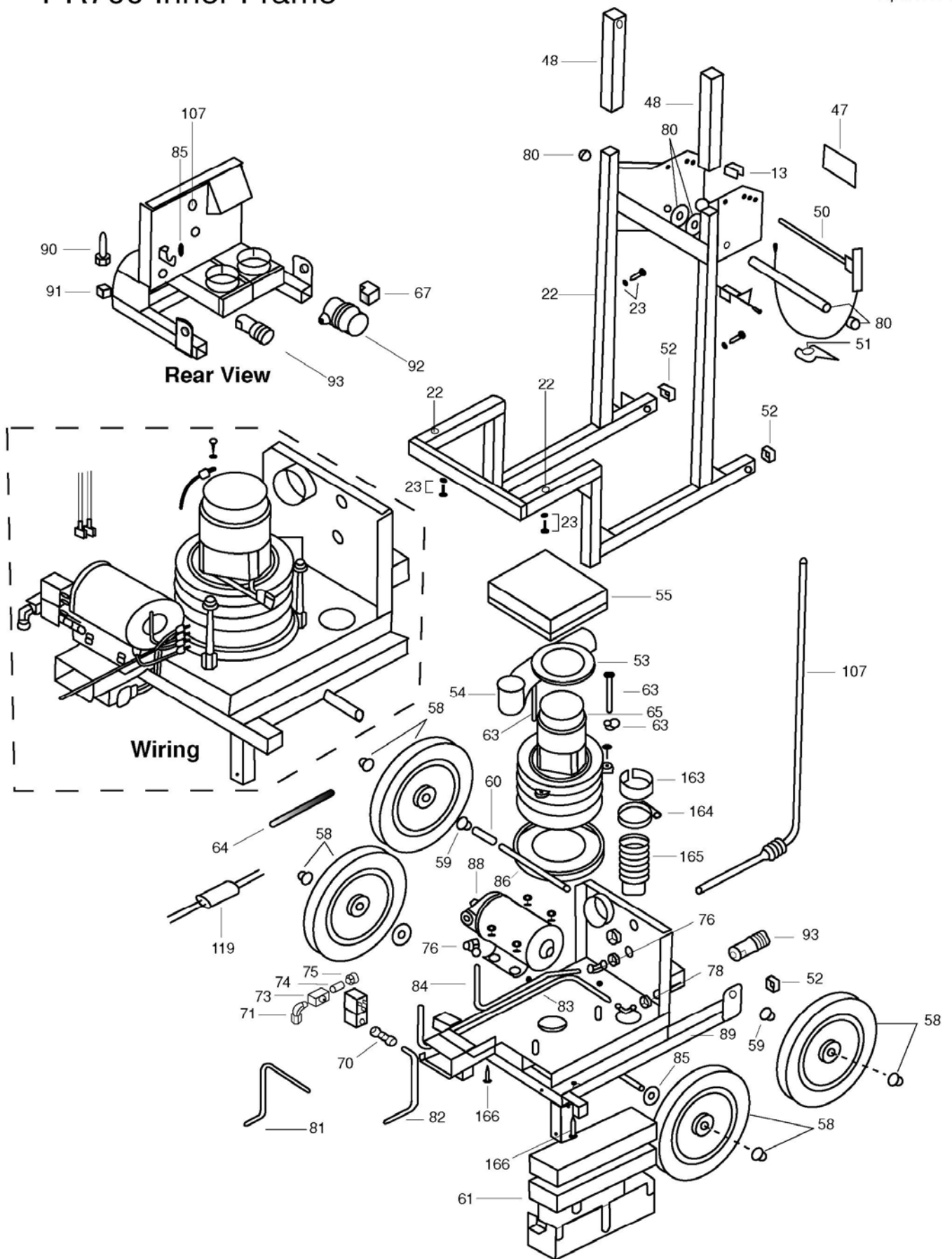
# PR700 Handle Assembly

April 2001



# PR700 Inner Frame

April 2001



# PR700 Outer Body

April 2001

