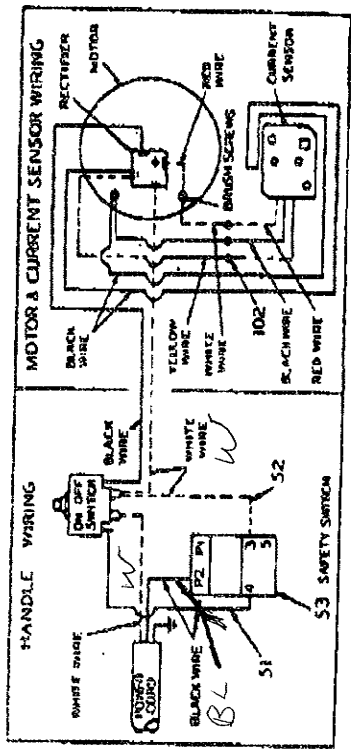


645 E. 7th ST., ST. PAUL, MINN. 55106  
 (612) 771-5581  
 TELEX NO. 29-7403

FORM 247NT-128415  
 EFFECTIVE JANUARY 1, 1965  
 E.E.O. EMPLOYER M/F

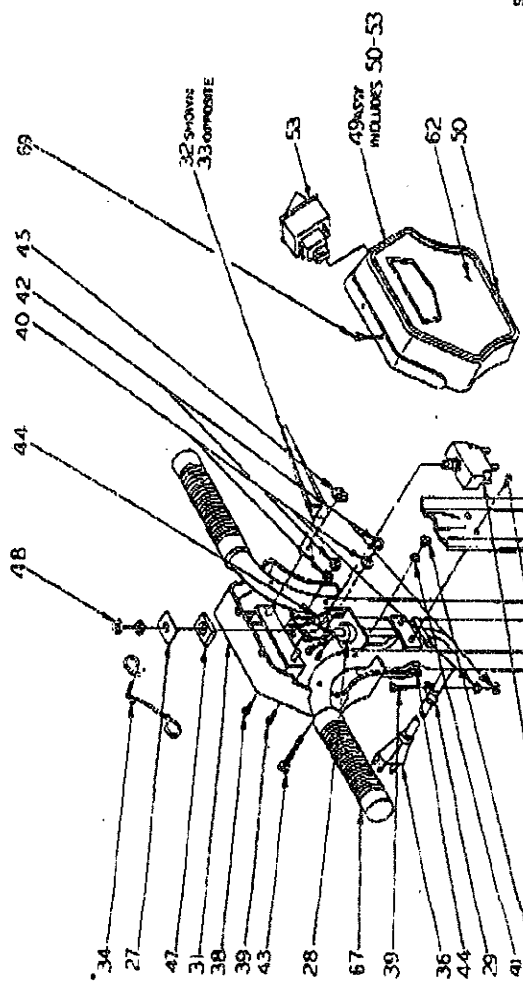
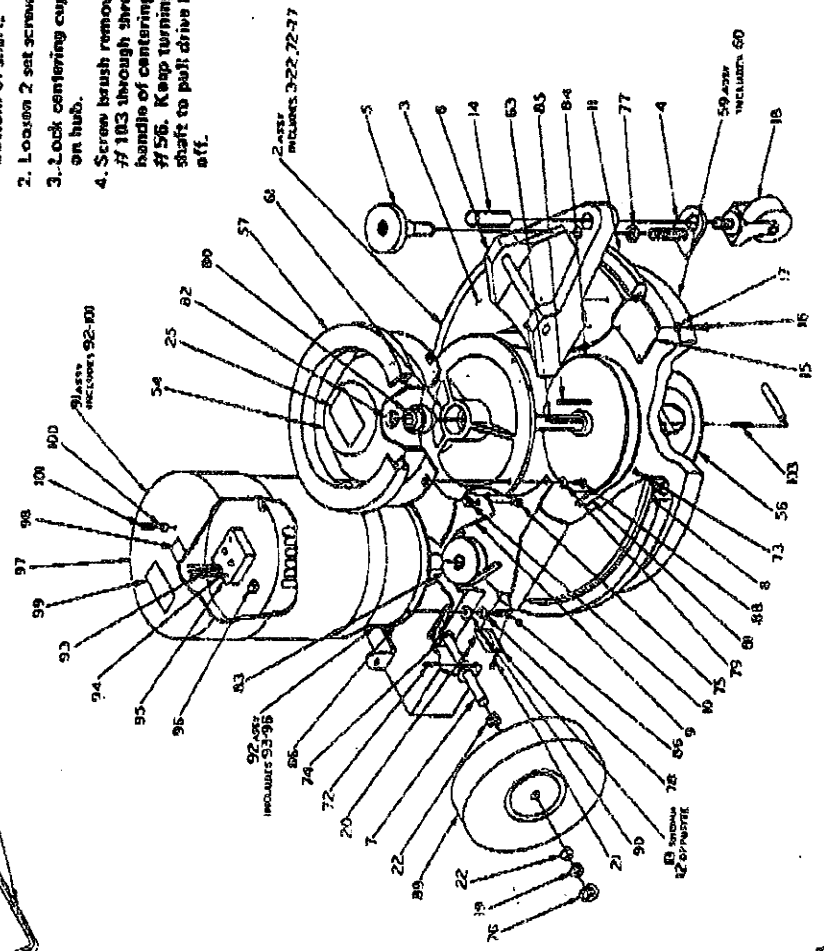
**PARTS BREAKDOWN MODEL 20 DC-HU  
 ASSY - 20" 2000 R.P.M. FLOOR MACHINE (D.C. MOTOR)  
 E26049**

Item No.	Part No.	Description	Qty.	Part No.	Description	Qty.	Item No.	Part No.	Description	Qty.
1	A4054	Assy-Clamp Bottom & Insert	1	B24541	Cord, Power	1	71	K6010-5	Screw, Pan Head	4
2	C26055	Assy-Base, Bumper & Axle (Includes 3-23, 72-77)	1	K10652	Nut	4	72	K5115	Pin, Roll	2
3	D26068	Assy-Base	1	K2728-5	Machine Screw	1	73	K12161-4	Screw, Flat Hd.	11
4	A26069	Assy-Adjustment Stem	1	K2728-8	Machine Screw	2	74	K15478	Grommet	2
5	A26073	Assy-Bumper Wheel & Bushing	1	K2964-06	Shakeproof Lockwasher	3	75	K15860-8	Screw, Pan Hd.	1
6	C26120	Assy-Bracket & Handle	1	K2964-10	Shakeproof Lockwasher	4	76	K15896	Ring Retaining	2
7	A3969	Axle	1	K3089	Machine Screw Nut	3	77	K22440	E-Ring	1
8	C4113	Retainer, Bumper	1	K5025-22	Round Head Machine Screw	2	78	K14881-6	Lockwasher	3
9	C19965	Guard, Belt	1	K5771	Cord Clamp	2	79	K15752-14	Lockwasher	4
10	A19968	Washer, Rubber	1	K22617	Nut, Self Threading	2	80	K15972	Bearing	2
11	B21017	Bumper	1	K24858	Switch	1	81	K20028	Belt	1
12	B22202-1	Bracket, Bumper	1	A24633	Spacer, Poron	1	82	K22440	E-Ring	2
13	B22202-2	Bracket, Bumper	1	K24634	Nut, Switch	1	83	K25810	Pulley, Motor	1
14	A26076	Stem, Hex	1	B24453	Assy-Switch & Cover (Includes 50-53)	1	84	K25811	Pulley	1
15	B26077	Plate, Reinforcing	1	B24455	Assy-Cover	1	85	K9566-40	Key	1
16	K2998-8	Screw, Hex Hd. Cap	6	A20369	Wire, Black	1	86	K2949-8	Screw, Hex Hd. Cap	3
17	K2964-14	Lockwasher	6	A24459	Wire, White	1	87	K24255	Spring	1
18	K3144	Caster	1	K24456	Switch, Circuit Breaker	1	88	K2998-5	Screw, Hex Hd. Cap	4
19	K3148-816	Washer, Flat	2	B19962	Assy-Hood & Weld Nuts	1	89	K3143	Wheel	2
20	K3701-5	Screw, Sheet Metal	2	B19962	Assy-Hood & Weld Nuts	1	90	K14880-6	Flat Washer	3
21	K3701-12	Screw, Sheet Metal	2	A25083	Handle, Clamp	1	91	C26054	Assy-Motor & Shroud (Includes 92-101)	1
22	K4252	Washer, Wave	4	B19976	Assy-Cup & Handle	1	92	C26059	Assy-Motor & Divider (Includes 93-96)	1
23	B4030-5	Clamp, Top	1	B5116	Bumper, Motor	1	93	K15007-12	Screw, Pan Hd.	2
24	B20023	Brace, Adjustment	2	C24203	Cover, Handle	1	94	K2964-06	Lockwasher	2
25	A26056	Decal	1	C26036	Assy-Bush & Driver (Includes 60)	1	95	K26061	Sensor, Current	1
26	D26200	Assy-Switch, Switch Box & Handle (Includes 27-48)	1	K9559-4	Screw, Set (Not Shown)	2	96	K26214	Wire, Holder	3
27	A24632	Plate, Switch	1	C19960	Mount, Bearing	1	97	C26063	Assy-Shroud & Decals (Includes 98-99)	1
28	X5067	Heyco Strain Reliever	1	B24495	Emblem	1	98	A26009	Decal, Amp	1
29	X5853	Cord Clamp	1	B20022	Shaft	1	99	A26124	Decal, Caution	1
30	C24231	Assy-Cord Hooks & Handle	1	K2949-36	Hex Hd. Cap Screw	1	100	K2964-10	Lockwasher	2
31	A22620	Assy-Switch Bracket & Switch Box	1	K2998-24	Hex Hd. Cap Screw	2	101	K4770-B	Screw, Pan Hd.	2
32	C22624-1	Assy-Switch Lever & Spacer	1	B20032	Spacer, Motor	1	102	K26215	Wire, Nut	3
33	C22624-2	Assy-Switch Lever & Spacer	1	K4879	Handle Grips	2	103	A25048	Removal Screw (Not Included)	1
34	A4041	Spring	1	K4948	Nut, Flex-Loc	2				
35	A26201	Handle Lead	1	K5113-4	Screw, Thread Cutting	2				
				K5237	Nut, Flex-Loc	1				



**STEPS TO REMOVE DRIVE BRUSH ASSY ITEM #59**

1. Remove "E" Ring from #82 on bottom of shaft.
2. Loosen 2 set screws in hub.
3. Lock centering cup item #55 on hub.
4. Screw brush removal tool item #103 through threaded hole in handle of centering cup item #56. Keep turning against shaft to pull drive brush assy off.



Driver - 27073