

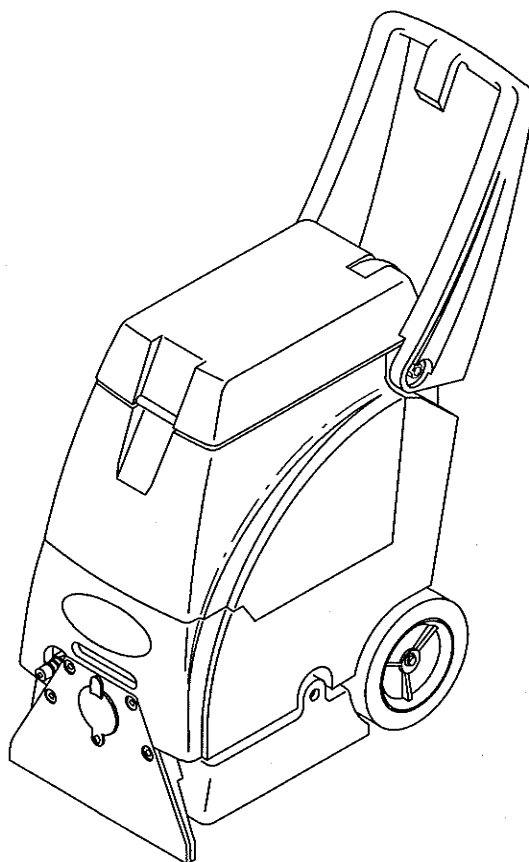


Marksman™ 412

Portable Carpet Extractor
Extractor Portátil de Alfombras

Model No.:
611459
611465 - Can.

Operator and Parts Manual
Manual del Operador y Piezas



NOBLES
12875 RANSOM STREET
HOLLAND MI 49424 U.S.A.

CUSTOMER SERVICE: 1-800-365-6625
FAX: 1-800-678-4240

607301
Rev. 02 (01-01)

OPERATION

This manual is furnished with each new model. It provides necessary operation and maintenance instructions and an illustrated parts list.

Read this manual completely and understand the machine before operating or servicing it.

Use the illustrated Parts Lists to order parts. Before ordering parts or supplies, be sure to have your machine model number and serial number handy. Parts and supplies may be ordered by phone or mail from any authorized parts and service center, distributor or from any of the manufacturer's subsidiaries.

This machine will provide excellent service. However, the best results will be obtained at minimum costs if:

- The machine is operated with reasonable care.
- The machine is maintained regularly - per the maintenance instructions provided.
- The machine is maintained with manufacturer supplied or equivalent parts.

MACHINE DATA

Please fill out at time of installation for future reference.

Model No.- _____

Install. Date - _____

Serial No.- _____

© 2001 Tennant Company

Printed in U.S.A.

Nobles is a registered United States trademark of Tennant Company.

Marksman is a United States trademark of Tennant Company.

TABLE OF CONTENTS

SAFETY PRECAUTIONS	3	STORING MACHINE	9
GROUNDING INSTRUCTIONS	3	RECOMMENDED STOCK ITEMS	9
SAFETY LABELS	4	TROUBLE SHOOTING	10
MACHINE COMPONENTS	5	SPECIFICATIONS	11
MACHINE SETUP	5	MACHINE DIMENSIONS	11
MACHINE OPERATION	6	ELECTRICAL DIAGRAMS	24
PRE-OPERATION	6	120V WIRING DIAGRAM	24
CLEANING CARPETS	6	120V LADDER DIAGRAM	25
WHILE OPERATING	6	230V WIRING DIAGRAM	26
CLEANING WITH ACCESSORY TOOLS ...	7	230V LADDER DIAGRAM	27
DRAINING TANKS	7	PARTS LIST	28
DRAINING RECOVERY TANK	7	SOLUTION TANK GROUP	28
DRAINING SOLUTION TANK	7	RECOVERY TANK GROUP	30
MACHINE MAINTENANCE	8	HANDLE GROUP	32
DAILY MAINTENANCE	8	REAR PANEL GROUP	34
WEEKLY MAINTENANCE	9	BRUSH GROUP	36
MONTHLY MAINTENANCE	9	SOLUTION GROUP	38
QUARTERLY MAINTENANCE	9	OPTIONS	40
		HAND TOOL	40
		FLOOR TOOL SOLUTION AND	
		VACUUM HOSES	40
		FLOOR TOOL	41

SAFETY PRECAUTIONS

This machine is intended for commercial use. It is designed to clean carpet and upholstery in an indoor environment and is not constructed for any other use. Use only recommended cleaning solutions and accessory tools.

All operators must read, understand and practice the following safety precautions.

The following safety alert symbols are used throughout this manual as indicated in their description:

⚠ WARNING: To warn of hazards or unsafe practices which could result in severe personal injury or death.

FOR SAFETY: To identify actions which must be followed for safe operation of equipment.

The following information signals potentially dangerous conditions to the operator or equipment:

FOR SAFETY:

1. Do not operate machine:
 - Unless trained and authorized.
 - Unless operator manual is read and understood.
 - In flammable or explosive areas.
 - Unless cord is properly grounded.
 - With damaged cord or plug.
 - If not in proper operating condition.
 - In outdoor areas.
 - In standing water.
 - With the use of an extension cord.
2. Before operating machine:
 - Make sure all safety devices are in place and operate properly.
3. When using machine:
 - Do not run machine over cord.
 - Do not pull machine by plug or cord.
 - Do not pull cord around sharp edges or corners.
 - Do not unplug by pulling on cord.
 - Do not stretch cord.
 - Do not handle plug with wet hands.
 - Keep cord away from heated surfaces.
 - Report machine damage or faulty operation immediately.
 - Follow mixing and handling instructions on chemical containers.

4. Before leaving or servicing machine:
 - Turn off machine.
 - Unplug cord from wall outlet.
5. When servicing machine:
 - Unplug cord from wall outlet.
 - Avoid moving parts. Do not wear loose jackets, shirts, or sleeves.
 - Use manufacturer supplied or approved replacement parts.

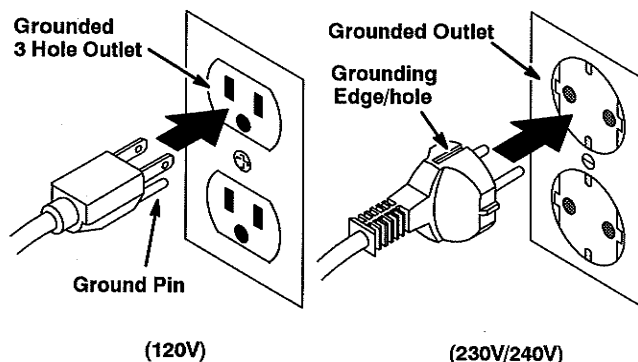
⚠ WARNING: Hazardous Voltage. Shock or electrocution can result. Always unplug machine before servicing.

⚠ WARNING: Flammable materials can cause an explosion or fire. Do not use flammable materials in tank(s).

⚠ WARNING: Flammable materials or reactive metals can cause an explosion or fire. Do not pick up.

GROUNDING INSTRUCTIONS

Machine must be grounded. If it should malfunction or breakdown, grounding provides a path of least resistance for electrical current to reduce the risk of electrical shock. This machine is equipped with a cord having an equipment-grounding conductor and grounding plug. The plug must be plugged into an appropriate outlet that is properly installed in accordance with all local codes and ordinances. Do not remove ground pin; if missing, replace plug before use.



OPERATION

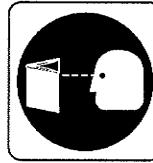
SAFETY LABELS

The safety labels appear on the machine in the locations indicated. Replace labels if they become damaged or illegible.



WARNING LABEL - Located on cover. Label warns operator of safe practices of equipment -English text.

FOR SAFETY LABEL - Located on rear panel.



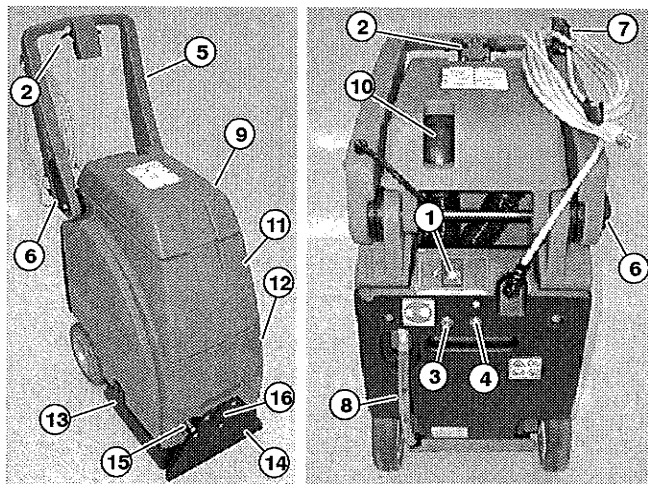
FOR SAFETY:
Read manual
before operating
machine.



**FLAMMABLE MATERIALS/
SPILLS LABEL** - Located
near solution tank fill port and on
recovery tank lid.

WARNING: Flammable materials can cause an explosion or fire. Do not use flammable materials in tank(s). Flammable materials or reactive metals can cause explosion or fire. Do not pick up.

MACHINE COMPONENTS



1. Main Power ON/OFF Switch
2. Brush/Solution Triggers
3. Pump Reset Button
4. Brush Reset Button
5. Folding Handle
6. Folding Handle Lock Lever
7. Power Cord Hooks
8. Solution Tank Drain Hose with Solution Level Markers
9. Recovery Tank Cover
10. Recovery Sight Window
11. Recovery Tank
12. Solution tank
13. Floating Brush Base
14. Pick-Up Head
15. Accessory Tool Solution Hose Coupler
16. Accessory Tool Vacuum Hose Port

MACHINE SETUP

1. Carefully check carton for signs of damage. Report damages at once to carrier. The machine is shipped fully assembled and is ready for use.
2. Adjust handle from transport position. To adjust, pull handle lock lever outward and lift handle to desired operating height, re-lock lever (Figure 1).

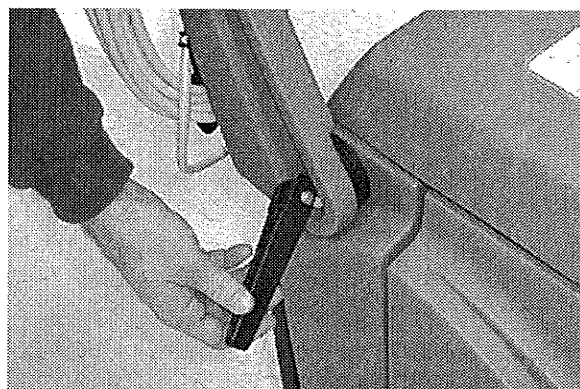


FIG. 1

3. Hinge open cover and remove recovery tank from machine. Make sure the float shut-off screen and solution tank strainer are in place before use (Figure 2)



FIG. 2

4. Using a clean bucket or hose, fill solution tank with 15 L (4 gal) of hot water, 60°C (140°F) maximum (Figure 3). Observe solution tank hose at rear of machine when filling. The hose indicates the amount of water in solution tank (Figure 3).

ATTENTION: Do not use recovery tank to fill solution tank. Residual dirt or debris could cause damage to solution pump.

⚠ WARNING: Flammable materials can cause an explosion or fire. Do not use flammable materials in tank(s).

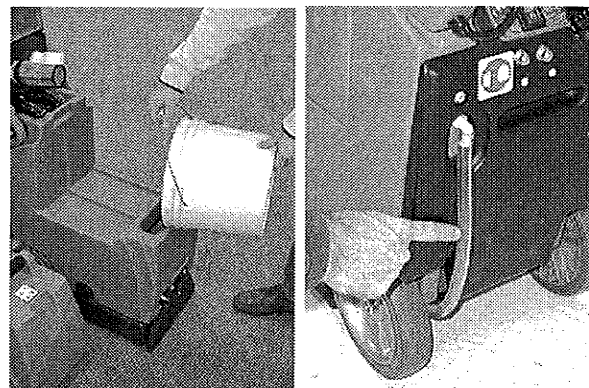


FIG. 3

5. Add a recommended cleaning chemical.

FOR SAFETY: When using machine, follow mixing and handling instructions on chemical containers.

ATTENTION: If using powdered cleaning chemicals, mix prior to adding.

NOTE: If desired, water alone achieves excellent cleaning results.

6. Replace recovery tank and close cover after filling.

OPERATION

7. Plug machine's power cord into a grounded wall outlet (Figure 4).

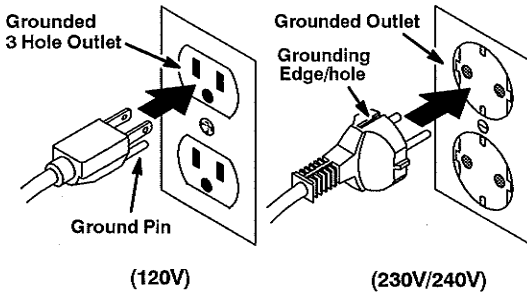


FIG. 4

FOR SAFETY: Do not operate machine unless cord is properly grounded.

FOR SAFETY: Do not operate machine with the use of an extension cord.

MACHINE OPERATION

FOR SAFETY: Do not operate machine unless operator manual is read and understood.

PRE-OPERATION

1. Vacuum carpet and remove other debris.
2. Perform MACHINE SETUP procedures.
3. Inspect power cord for damage.

CLEANING CARPETS

1. Turn main power switch on (Figure 5).

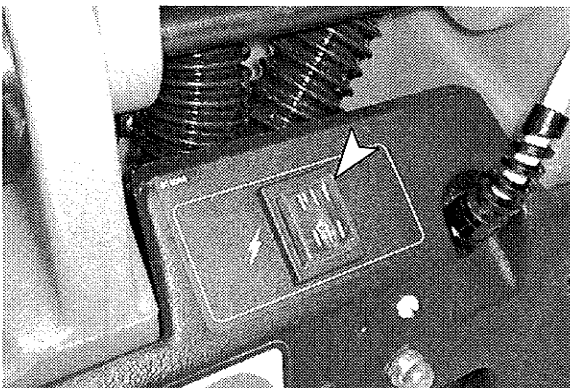


FIG. 5

2. To begin cleaning carpets, pull triggers and slowly pull machine backwards (Figure 6).

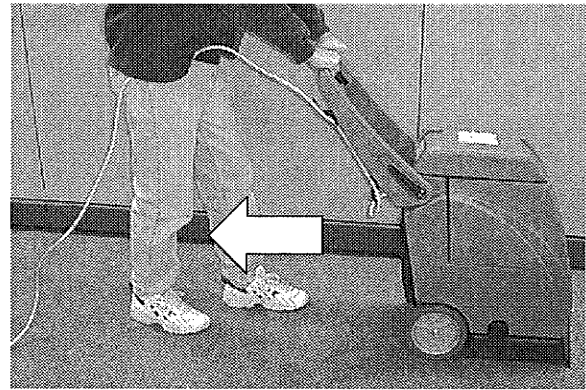


FIG. 6

3. Release triggers at end of path and continue to pull machine to pick up excess solution.
4. Tip machine back on wheels and push machine forward to begin next path.

WHILE OPERATING

1. Overlap each path by 50 mm (2 in).

⚠ WARNING: Flammable materials or reactive metals can cause an explosion or fire. Do not pick up.

2. Work away from wall outlet and power cord to prevent cord damage.
3. Periodically check for excessive foam buildup in recovery tank. Use a recommended foam control solution to prevent vacuum motor damage.

ATTENTION: Excessive foam buildup will not activate the float shut-off screen.

4. If brush stops, the circuit breaker may have been tripped. Unplug power cord, check brush for obstruction. Push brush reset button to resume (Figure 7).

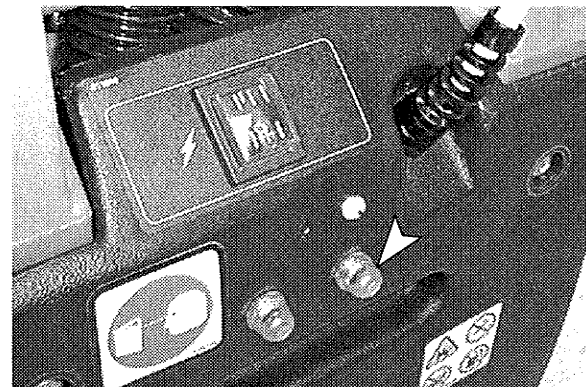


FIG. 7

5. To clean heavily soiled areas, repeat cleaning path from different direction.
6. Observe recovery site window, when recovery appears to stop, drain recovery tank (See DRAINING TANKS).

CLEANING WITH ACCESSORY TOOLS

1. Connect accessory tool hoses to solution hose coupler and vacuum hose port located at front of machine (Figure 8).

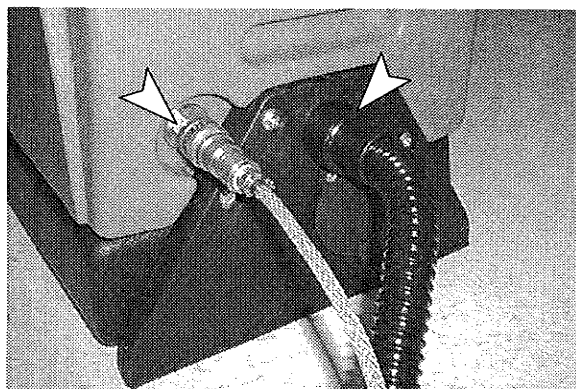


FIG. 8

2. Turn main power switch on (Figure 9).

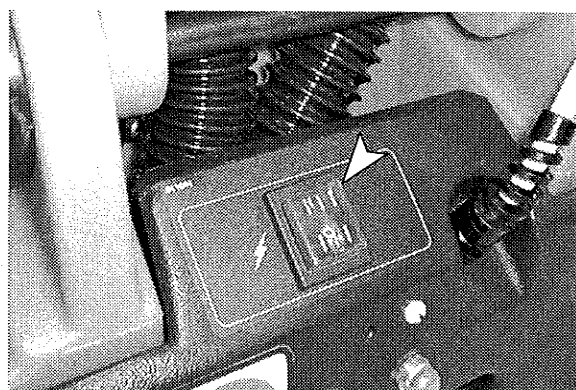


FIG. 9

3. Operate accessory tools as normal (Figure 10).

NOTE: When cleaning upholstery, always check cleaning instructions sewn in furniture by manufacturer.



FIG. 10

4. After cleaning, relieve water pressure from tool before disconnecting hose. Squeeze trigger for five seconds after turning main power switch off.

DRAINING TANKS

FOR SAFETY: When servicing machine, unplug cord from wall outlet.

DRAINING RECOVERY TANK

1. Turn machine off and unplug power cord.
2. Hinge open cover, lift recovery tank out and empty (Figure 11).

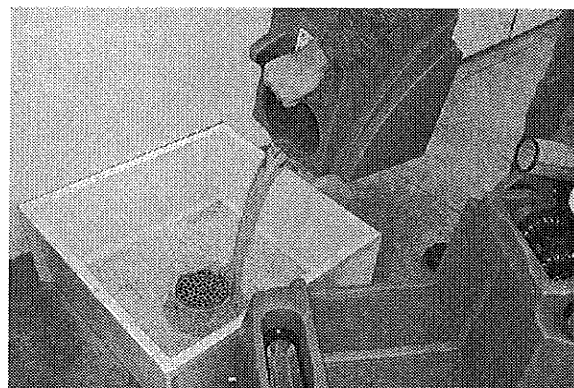


FIG. 11

NOTE: Make sure to rinse out recovery tank before refilling solution tank.

DRAINING SOLUTION TANK

1. Pull solution tank drain hose off of hose barb at rear of machine and empty remaining solution (Figure 12).

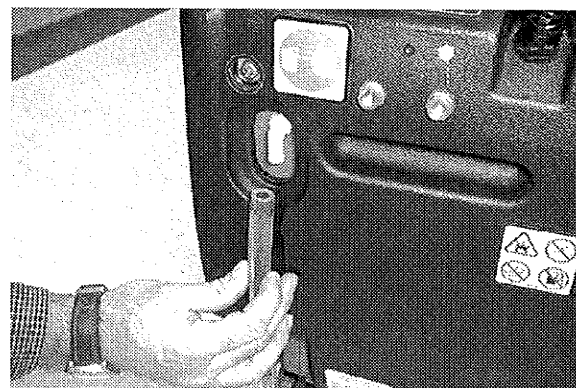


FIG. 12

2. Replace drain hose.

OPERATION

MACHINE MAINTENANCE

To keep machine in good working condition, simply follow machine's daily, weekly and monthly maintenance procedures.

FOR SAFETY: When servicing machine, unplug cord from wall outlet.

DAILY MAINTENANCE (Every 4 Hours of Operation)

1. Empty and rinse out recovery tank thoroughly (Figure 13).

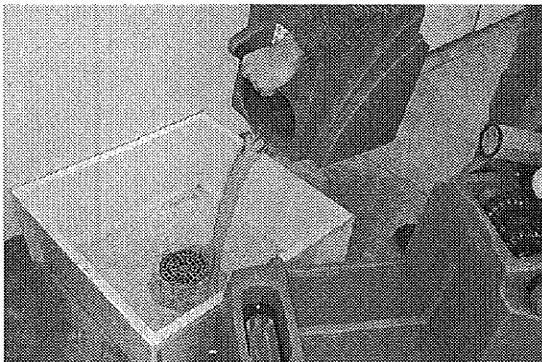


FIG. 13

2. Remove float shut-off screen from recovery tank cover and clean (Figure 14).

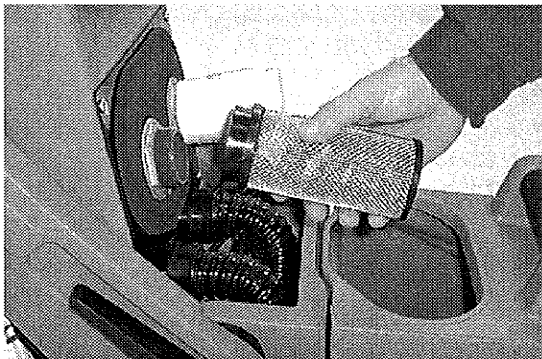


FIG. 14

3. Drain remaining water from solution tank (Figure 15).

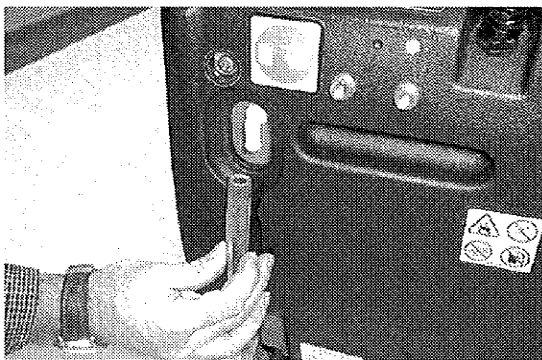


FIG. 15

4. Clean solution tank fill port strainer.
5. Remove any entangled carpet fibers and debris from brush (Figure 16).

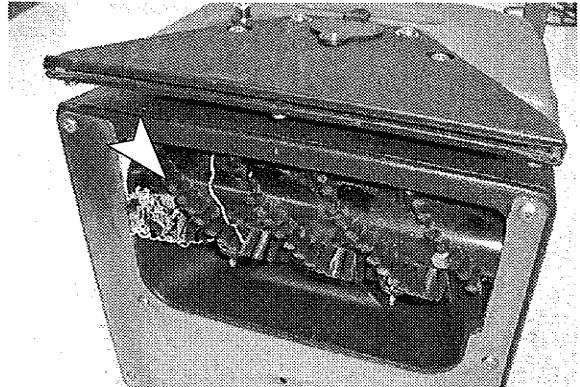


FIG. 16

6. Remove any debris lodged in pick up head (Figure 17).

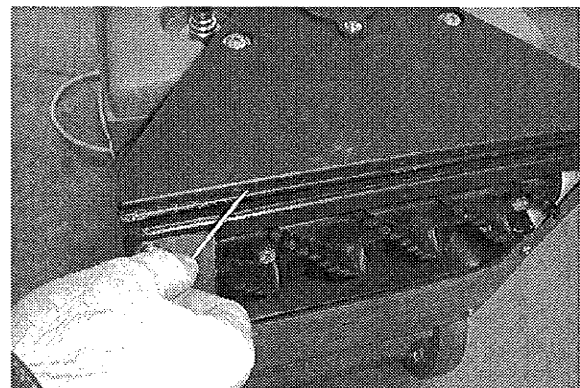


FIG. 17

7. Wipe off power cord and check for damage, replace if necessary. Coil cord neatly after use.
8. Clean machine with an all purpose cleaner and damp cloth (Figure 18).

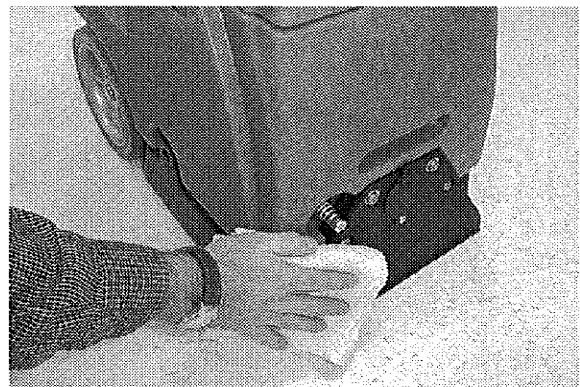


FIG. 18

WEEKLY MAINTENANCE
(Every 20 Hours of Operation)

1. Inspect vacuum hoses for holes and loose cuffs.
2. Inspect spray pattern for plugging. If plugged, remove spray tips and soak them in a recommended liquid neutralizer for up to six hours. To remove spray tip, twist spray tip body counter-clockwise. Do not use pointed objects to unplug tips, damage will occur (Figure 19).

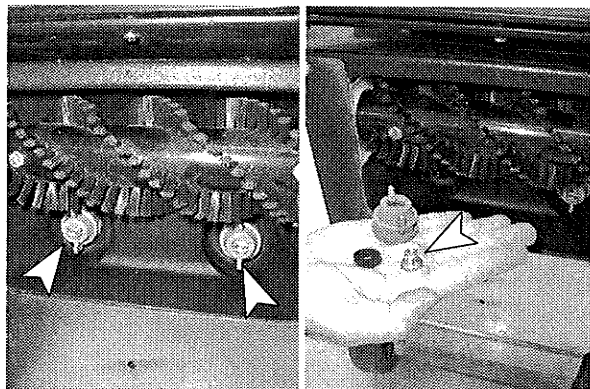


FIG. 19

FOR SAFETY: When using machine, follow mixing and handling instructions on chemical containers.

3. Inspect cord and cord grip for damage. Replace immediately if damaged.

MONTHLY MAINTENANCE
(Every 80 Hours of Operation)

1. Flush solution system with a recommended liquid neutralizer to dissolve normal chemical buildup.
 - a. Pour 7.5L (2 gal) of hot water 60° C (140° F) into solution tank. Add a liquid neutralizer according to mixing instructions on bottle.

NOTE: Contact your chemical supplier for a recommended neutralizer liquid.

FOR SAFETY: When using machine, follow mixing and handling instructions on chemical containers.

- b. Position brush over floor drain and operate machine for one minute.
 - c. Then connect hand tool solution hose to machine and also over a floor drain operate tool for one minute.
 - d. Shut off machine and allow remaining solution to break down chemical buildup overnight.
 - e. Next day, spray out remaining solution and flush system with 11L (3 gal) of clean water.
2. Lubricate wheels with a water resistant oil.
3. Inspect machine for water leaks and loose hardware.

QUARTERLY MAINTENANCE
(Every 250 Hours of Operation)

Check vacuum motor for carbon brush wear. Replace brushes if worn to a length of 10mm (0.38 in) or less.

Contact an Authorized Service Center for motor maintenance.

STORING MACHINE

1. Before storing machine, be certain to drain and rinse tanks of all water.
2. Store machine in a dry area in the upright position.
3. Open recovery tank cover to promote air circulation.

ATTENTION: Do not expose to rain. Store indoors.

ATTENTION: If storing machine in freezing temperatures, be sure that machine and solution system are completely drained and dry.

RECOMMENDED STOCK ITEMS

Refer to Parts List section for recommended stock items. Stock Items are clearly identified with a bullet preceding the parts description. See example below:

Ref	Part No.	Description	Qty.
1	701103	ASM., STANDPIPE	1
2	180813	•FLOAT, SHUTOFF	1
3	230187	NIPPLE	1
4	101714	•GASKET	1
5	210240	NUT, FLANGED	1

OPERATION

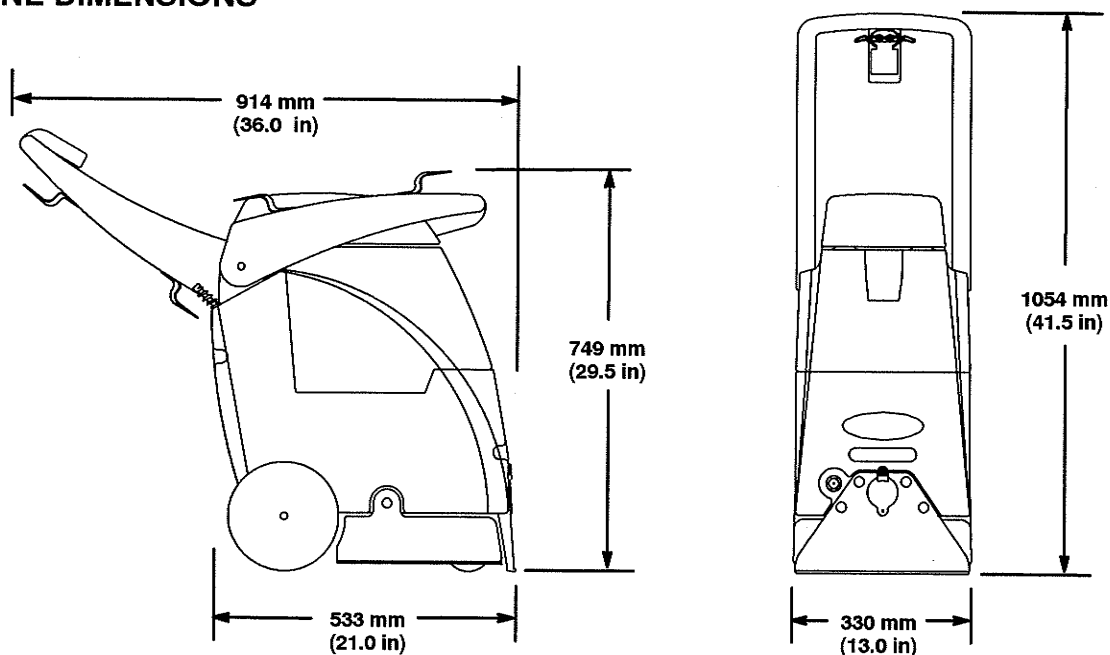
TROUBLE SHOOTING

PROBLEM	CAUSE	SOLUTION
Machine does not operate.	Faulty switches or wiring.	Contact Service Center.
	Faulty power cord.	Contact Service Center.
	Building circuit breaker tripped.	Reset breaker.
Brush motor does not operate.	Brush motor circuit breaker tripped.	Let motor cool and reset brush motor breaker button at rear of machine.
	Triggers not pulled.	Pull brush/solution triggers.
	Loose or broken brush belt.	Contact Service Center.
	Faulty trigger switch or wiring.	Contact Service Center.
	Faulty brush motor.	Contact Service Center.
Solution pump does not operate.	Solution pump circuit breaker tripped.	Let pump cool and reset pump breaker button at rear of machine.
	Triggers not pulled.	Pull brush/solution triggers.
	Faulty trigger switch or wiring.	Contact Service Center.
	Faulty solution pump motor.	Contact Service Center.
Vacuum motor does not operate.	Loose or broken wiring.	Contact Service Center.
	Faulty main power switch.	Contact Service Center.
	Defective vacuum motor.	Contact Service Center.
	Worn carbon brushes.	Contact Service Center.
Poor solution pick-up.	Defective recovery tank cover gasket.	Replace gasket.
	Clogged float shut-off screen.	Open recovery tank cover and clean lint off screen.
	Accessory tool vacuum hose port cover is loose or missing.	Check vacuum hose port cover.
	Loose vacuum hose connections.	Secure connections under cover.
	Defective vacuum hose.	Replace hose.
	Loose vacuum hose cuffs.	Secure cuffs to hose.
	Pulling machine too fast.	Slow down cleaning process.
Uneven or no spray.	Plugged spray tips.	Clean or replace tips.
	Improper spray tip size or spray angle.	Replace with proper tips.
	Clogged solenoid valve.	Contact Service Center.
	Worn spray tips.	Replace spray tips.
	Solution tank low or empty.	Refill solution tank.
	Faulty solution pump.	Contact Service Center.
	Pump needs priming.	Prime pump by pressing solution hose coupler tip located at front of machine.

SPECIFICATIONS

Model	Marksman™ 412
LENGTH	533 mm (21 in) with handle folded
WIDTH	330 mm (13 in)
HEIGHT	749 mm (29.5 in) with handle folded
WEIGHT	27 Kg (60 lb)
SOLUTION TANK CAPACITY	15 L (4 gal)
RECOVERY TANK CAPACITY	15 L (4 gal)
CLEANING PATH WIDTH	273 mm (10.75 in)
MAXIMUM CLEANING RATE	130 m ² (1,400 sq. ft.) per hour
BRUSH MOTOR	120VDC, 0.1HP, .75A, 90W, 1800 rpm - no load 230VDC, 0.1HP, .38A, 90W, 1800 rpm - no load
BRUSH SPEED	1038 rpm - no load
SOLUTION PUMP	120VDC, 4.1 bar (60psi), .7 A, 5.3 LPM (1.4 GPM) 230VDC, 4.1 bar (60psi), .35A, 5.3 LPM (1.4 GPM)
VACUUM MOTOR	120VDC, 1.5 HP, 9.1A, 1092W, 2 stage, 103 cfm 230VDC, 1.4 HP, 4.7A, 1046W, 2 stage, 105 cfm 240VDC, 1.5 HP, 5.0A, 1138W, 2 stage, 111 cfm
SEALED WATER LIFT	120V model -2324 mm (91.5 in), 230V/model -2514mm (99 in)
TOTAL POWER CONSUMPTION	120 VAC, 10.6 A, 1272 W 230VAC, 5.4A, 1249 W
POWER CORD	7.6 M (25 ft.) 16/3-120V, 3X1.5MM ² -230V
DECIBEL RATING AT OPERATOR'S EAR, INDOORS ON CARPET	<72 dB(A)

MACHINE DIMENSIONS



Este manual se proporciona con cada nuevo modelo. Proporciona instrucciones necesarias de mantenimiento y lista ilustrada de piezas.

Antes de operar o prestar servicio a la máquina, lea completamente este manual y entienda la máquina.

Para ordenar piezas use las Listas Ilustradas de las Piezas. Asegúrese de tener listo el número de modelo y de serie de la máquina, antes de ordenar piezas o suministros. Las piezas y suministros pueden ordenarse por teléfono o por correo de cualquier centro autorizado de piezas y servicio, distribuidor o de cualquiera de las subsidiarias del fabricante.

Esta máquina proporcionará un servicio excelente. Sin embargo, los mejores resultados se obtienen a un costo mínimo si:

- La máquina se opera con un cuidado razonable.
- La máquina se mantiene con regularidad, según las instrucciones de mantenimiento provistas.
- La máquina se mantiene con las piezas provistas por el fabricante o equivalentes.

DATOS DE LA MAQUINA

Por favor complete al momento de la instalación para referencia futura.

No. de Modelo- _____

Fecha de instalación - _____

No. de Serie- _____

© 2001 Tennant Company Printed in U.S.A.

Nobles is a registered United States trademark of Tennant Company.

Marksman is a United States trademark of Tennant Company.

INDICE

PRECAUCIONES DE SEGURIDAD	14	LOCALIZACION DE FALLAS	22
INSTRUCCIONES DE		ESPECIFICACIONES	23
CONEXION A TIERRA	14	DIMENSIONES DE LA MAQUINA	23
ROTULOS DE SEGURIDAD	15	DIAGRAMAS ELECTRICAS	24
COMPONENTES DE LA MAQUINA	16	120V DIAGRAMA DE CABLEADO	24
PREPARACION DE LA MAQUINA	16	120V DIAGRAMA ESCALONADO	25
OPERACION DE LA MAQUINA	17	230V DIAGRAMA DE CABLEADO	26
PREOPERACION	17	230V DIAGRAMA ESCALONADO	27
LIMPIEZA DE ALFOMBRAS	17	LISTA DE PIEZAS	28
AL OPERAR	18	GRUPO DEL TANQUE DE SOLUCION	28
LIMPIEZA CON HERRAMIENTAS		GRUPO DEL TANQUE DE RECUPERACION	30
ACCESORIAS	18	GRUPO DEL MANGO	32
TANQUES DE DRENAJE	19	GRUPO DEL PANEL POSTERIOR	34
DRENAJE DE TANQUE DE		GRUPO DEL CEPILLO	36
RECUPERACION	19	GRUPO DE SOLUCION	38
DRENAJE DEL TANQUE DE SOLUCION ...	19	OPCIONES	40
MANTENIMIENTO DE LA MAQUINA	19	HERRAMIENTA MANUAL	40
MANTENIMIENTO DIARIO	19	MANGUERAS DE SOLUCION Y ASPIRACION	
MANTENIMIENTO SEMANAL	20	DE LA HERRAMIENTA PARA PISOS	40
MANTENIMIENTO MENSUAL	20	HERRAMIENTA PARA PISOS	41
MANTENIMIENTO TRIMESTRAL	20		
ALMACENAJE DE LA MAQUINA	21		
ARTICULOS RECOMENDADOS A			
MANTENER EN EXISTENCIA	21		

PRECAUCIONES DE SEGURIDAD

Esta máquina está diseñada para uso comercial. Está diseñada para limpiar alfombras y tapicería en ambientes interiores y no está construida para ningún otro uso. Use sólo, soluciones limpiadoras y herramientas accesorias, recomendadas.

Todos los operadores deben leer, entender y practicar las precauciones siguientes de seguridad.

Se usan en este manual los signos de alerta de seguridad, según indicado en su descripción:

⚠ ADVERTENCIA: Para advertir acerca de riesgos o prácticas inseguras que pueden resultar en lesiones personales graves o la muerte.

PARA SU SEGURIDAD: Identifican acciones que deben observarse para una operación segura del equipo.

La información siguiente señala condiciones potencialmente peligrosas para el operador o equipo:

PARA SU SEGURIDAD:

1. No opere la máquina:

- A menos que esté capacitado y autorizado
- A menos que haya leído y entendido el manual del operador.
- En áreas inflamables o explosivas a menos que se haya diseñado para usar en esas áreas.
- A menos que el cordón se conecte apropiadamente a tierra.
- Con el cordón o enchufe dañados.
- Si no está en un estado operativo apropiado.
- En áreas exteriores.
- En agua estancada.
- Con el uso de un cordón de extensión.

2. Antes de operar la máquina

- Asegúrese que todos los mecanismos de seguridad estén en su lugar y operando apropiadamente.

3. Al usar la máquina:

- No pase la máquina sobre el cordón.
- No tire de la máquina por el enchufe o el cordón.
- No tire del cordón alrededor de bordes o esquinas aguzadas.
- No desenchufe tirando del cordón.
- No estire el cordón.
- No toque el enchufe con las manos mojadas.

- Mantenga el cordón alejado de superficies calientes.
- Informe inmediatamente acerca de daños a la máquina o una operación defectuosa.
- Observe las instrucciones de mezcla y manejo en los recipientes químicos.

4. Antes de salir o prestar servicio a la máquina:

- Apague la máquina.
- Desenchufe el cordón del enchufe de pared.

5. Al prestar servicio a la máquina:

- Desenchufe el cordón del enchufe de pared.
- Evite las piezas móviles. No use chaquetas, camisas o mangas holgadas.
- Use piezas de repuesto provistas o aprobadas por el fabricante.

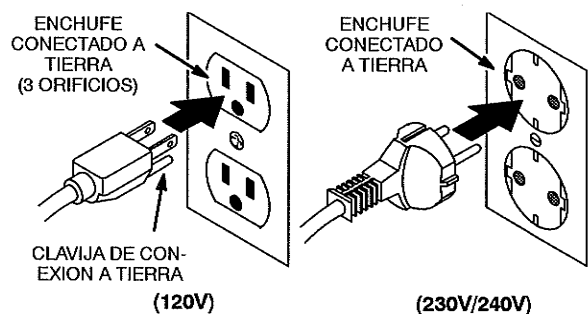
⚠ ADVERTENCIA: Voltaje riesgoso. Puede resultar en choque eléctrico o electrocución. Antes de prestar servicio, siempre desenchufe la máquina.

⚠ ADVERTENCIA: Los materiales inflamables pueden causar una explosión o incendio. No use materiales inflamables en el tanque(s).

⚠ ADVERTENCIA: Los materiales inflamables o los metales reactivos pueden causar una explosión o incendio. No aspire los mismos.

INSTRUCCIONES DE CONEXION A TIERRA

La máquina debe estar conectada a tierra. Si no funciona bien o se descompone, la conexión a tierra proporciona un recorrido de menor resistencia para la corriente eléctrica, para reducir el riesgo de choque eléctrico. Esta máquina está provista con un cordón que tiene un conductor de conexión a tierra del equipo y un enchufe de conexión a tierra. El enchufe debe enchufarse dentro de un enchufe apropiado que esté instalado apropiadamente de acuerdo con todos los códigos y ordenanzas locales. No extraiga la clavija de conexión a tierra; si falta, reemplazar el enchufe antes de usar.



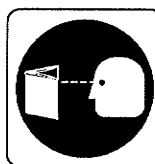
ROTULOS DE SEGURIDAD

Los rótulos de seguridad aparecen en la máquina en las ubicaciones indicadas. Si los rótulos se dañan o son ilegibles, reemplazarlos.

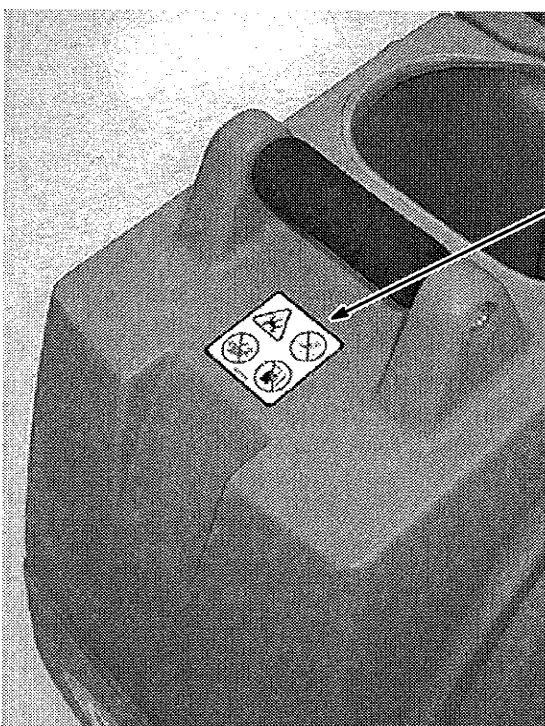


▲ ROTULO DE ADVERTENCIA -
Ubicado en la cubierta.
El rótulo advierte al operador acerca de prácticas seguras con respecto al equipo
- Texto en inglés

ROTULO DE SEGURIDAD -
Ubicado en el panel posterior



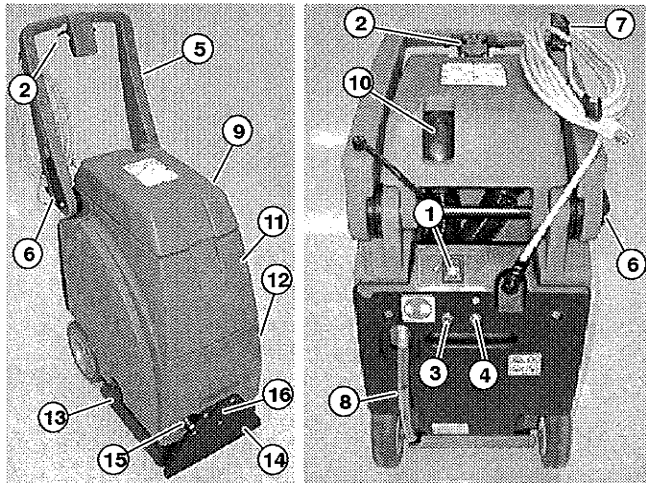
PARA SU SEGURIDAD: Antes de operar la máquina, lea el manual.



ROTULO DE MATERIALES INFLAMABLES/DER-RAMES - Ubicado cerca del orificio de llenado del tanque de solución y sobre la tapa del tanque de recuperación.

▲ ADVERTENCIA: Los materiales inflamables pueden causar una explosión o incendio. No use materiales inflamables en el tanque(s) Los materiales inflamables o metales reactivos pueden causar una explosión o incendio. No los aspire.

COMPONENTES DE LA MAQUINA



1. Conmutador de apagado/encendido, principal
2. Gatillo de cepillo/solución
3. Botón de regradación del bombeo
4. Botón de regradación del cepillo
5. Mango para plegar
6. Palanca de traba del mango para plegar
7. Ganchos del cordón eléctrico
8. Manguera de drenaje del tanque de solución con marcadores del nivel de solución.
9. Cubierta del tanque de recuperación
10. Mirilla del tanque de recuperación
11. Tanque de recuperación
12. Tanque de solución
13. Base flotante del cepillo
14. Cabezal de aspiración
15. Acople de la manguera de solución de la herramienta accesoria
16. Orificio de la manguera de aspiración de la herramienta accesoria

PREPARACION DE LA MAQUINA

1. Inspeccione cuidadosamente la caja por señales de daños. Informe inmediatamente al transportista si hubiera daños. La máquina se envía completamente ensamblada y lista para usar.
2. Ajuste el mango de la posición de transporte. Para ajustar, tire de la palanca de traba del mango y levante el mango a la altura deseada de operación, vuelva a trabar la palanca (Figura 1).

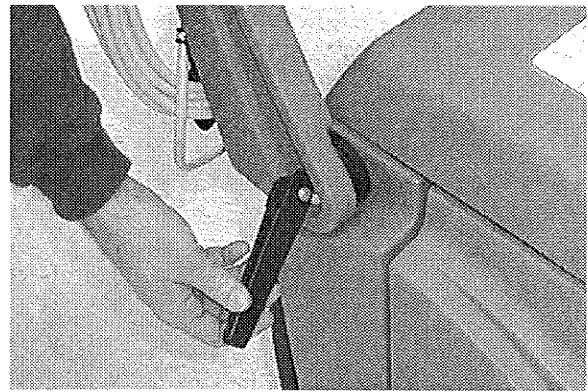


FIG. 1

3. Abra la cubierta y extraiga el tanque de recuperación de la máquina. Antes de usar, asegúrese que el tamiz flotante de corte y el tamiz del tanque de solución estén en su lugar (Figura 2).

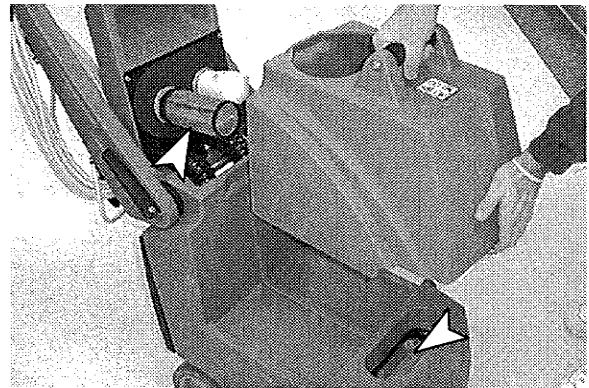


FIG. 2

4. Usando un balde limpio o una manguera, llene el tanque de solución con 15 L (4 gal.) de agua caliente, 60°C (140°F) máximo. Al llenar, observe la manguera del tanque de solución en la parte posterior de la máquina. La manguera indica la cantidad de agua en el tanque de solución (Figura 3).

ATENCIÓN: No use el tanque de recuperación para llenar el tanque de solución. La suciedad o desechos residuales pueden causar daños a la bomba de solución.

⚠ ADVERTENCIA: Los materiales inflamables pueden causar una explosión o incendio. No use materiales inflamables en el tanque(s).

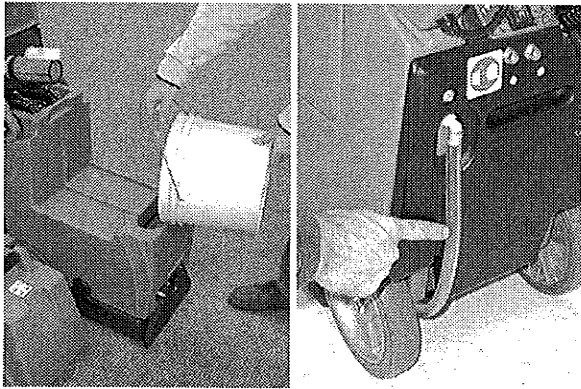


FIG. 3

5. Agregar el material químico de limpieza recomendado.

PARA SU SEGURIDAD: Al usar la máquina, observe las instrucciones de mezcla y manejo de los recipientes químicos.

ATENCIÓN: Si usa materiales químicos de limpieza en polvo, mezcle antes de agregar.

NOTA: Si se desea, el agua por sí misma logra resultados excelentes.

6. Vuelva a colocar el tanque de recuperación y cierre la cubierta después de llenar
7. Enchufe el cordón eléctrico de la máquina en un enchufe de pared conectado a tierra (Figura 4).

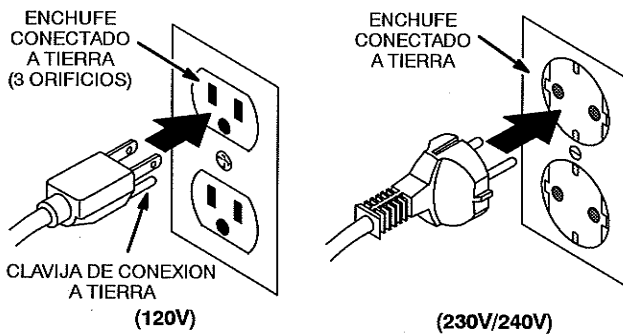


FIG. 4

PARA SEGURIDAD: no operar la máquina a menos que el cordón esté apropiadamente conectado a tierra .

PARA SU SEGURIDAD: No opere la máquina con el uso de un cordón de extensión.

OPERACION DE LA MAQUINA

PARA SU SEGURIDAD: No opere la máquina a menos que haya leído y entendido el manual del operador.

PREOPERACION

1. Aspire la alfombra y limpie otros desechos.
2. Realice los procedimientos de la preparación de la maquina.
3. Inspeccione el cordón eléctrico por daños.

LIMPIEZA DE ALFOMBRAS

1. Encienda el conmutador principal (Figura 5).

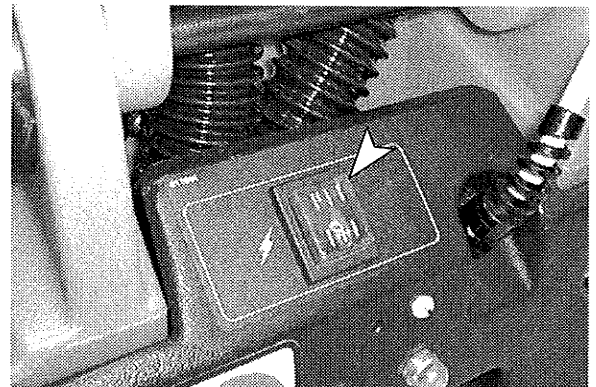


FIG. 5

2. Para empezar a limpiar las alfombras, apriete los disparadores y deslícelo lentamente hacia atrás (Figura 6).

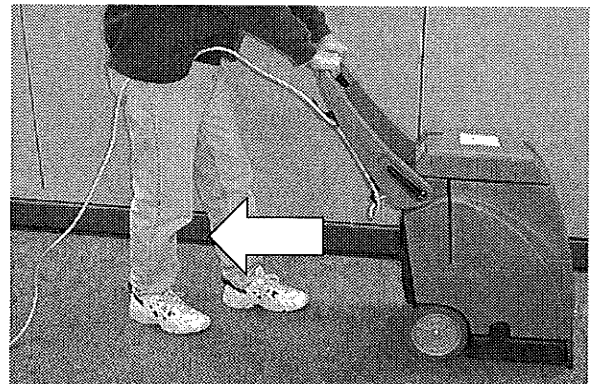


FIG. 6

3. Suelte los gatillos al final del recorrido y continúe tirando de la máquina para levantar el exceso de solución.
4. Inclíne la máquina hacia atrás sobre las ruedas y haga avanzar la máquina para comenzar el próximo recorrido.

OPERACIÓN

AL OPERAR

1. Superponga cada recorrido en 50 mm (2 pulg.)

⚠ ADVERTENCIA: Los materiales inflamables o metales reactivos pueden causar una explosión o incendio. No los aspire.

2. Trabaje alejado del enchufe de pared y del cordón eléctrico para evitar daños al cordón.
3. Inspeccione periódicamente por una acumulación excesiva de espuma en el tanque de recuperación. Use una solución recomendada de control de espuma para prevenir daños al motor de aspiración.

ATENCIÓN: Una acumulación excesiva de espuma impide la activación del tamiz flotante de corte.

4. Si el cepillo se para, puede haberse activado el interruptor de circuito. Desenchufe el cordón eléctrico, inspeccione el cepillo por obstrucciones. Para arrancar oprima el botón de regraduar (Figura 7).

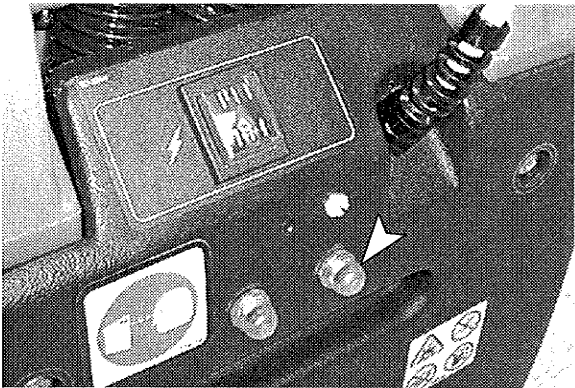


FIG. 7

5. Repita el recorrido de limpieza desde una dirección diferente, para limpiar áreas muy sucias.
6. Observe la mirilla del sitio de recuperación y drene el tanque de recuperación cuando parezca que la recuperación se ha interrumpido (Vea TANQUES DE DRENAJE).

LIMPIEZA CON HERRAMIENTAS ACCESORIAS

1. Conecte las mangueras de las herramientas accesorias al acople de la manguera de solución y al orificio de la manguera de aspiración ubicados al frente de la máquina (Figura 8).

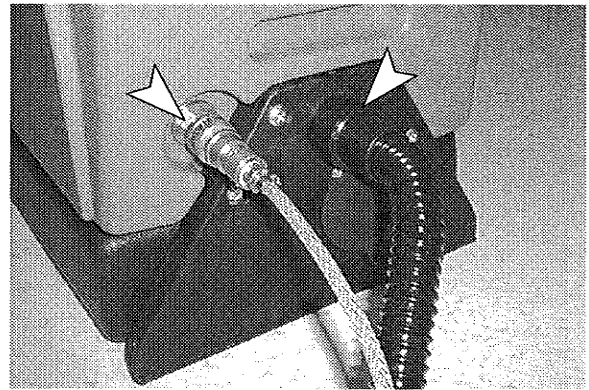


FIG. 8

2. Encienda el conmutador principal (Figura 9).

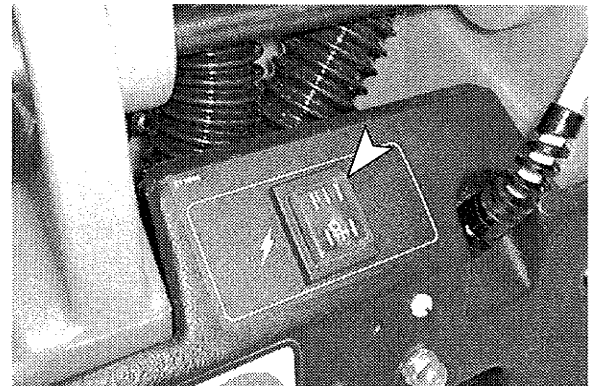


FIG. 9

3. Opere las herramientas accesorias de la manera normal (Figura 10).

NOTA: Lea siempre las instrucciones de limpieza cosidas por el fabricante en los muebles, al limpiar tapicería.

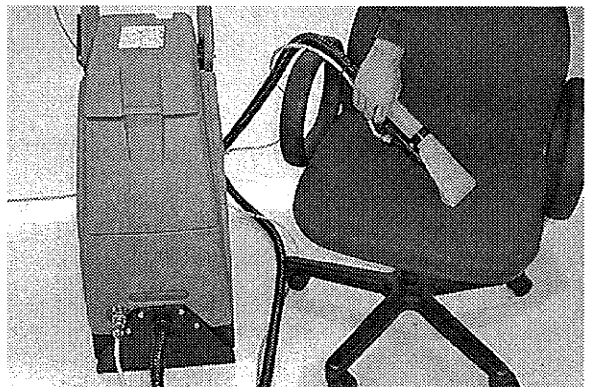


FIG. 10

4. Después de limpiar y antes de desconectar, corte la presión del agua de la herramienta. Oprima el gatillo por cinco segundos después de apagar los conmutador.

TANQUES DE DRENAJE

PARA SU SEGURIDAD: Desenchufe el cordón del enchufe de pared, al prestar servicio a la máquina.

DRENAJE DE TANQUE DE RECUPERACION

1. Apague la máquina y desenchufe el cordón eléctrico.
2. Abra la cubierta, levante el tanque de recuperación y vacíe (Figura 11).

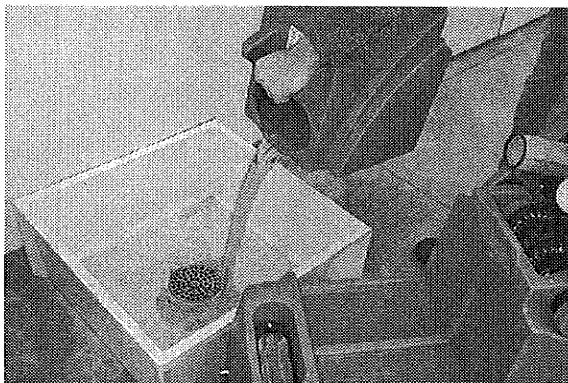


FIG. 11

Nota: Asegúrese de enjuagar el tanque de recuperación antes de llenar el tanque de solución.

DRENAJE DEL TANQUE DE SOLUCION

1. Extraiga la manguera de drenaje del tanque de solución, del adaptador de manguera, en la parte posterior de la máquina y vacíe la solución restante (Figura 12).

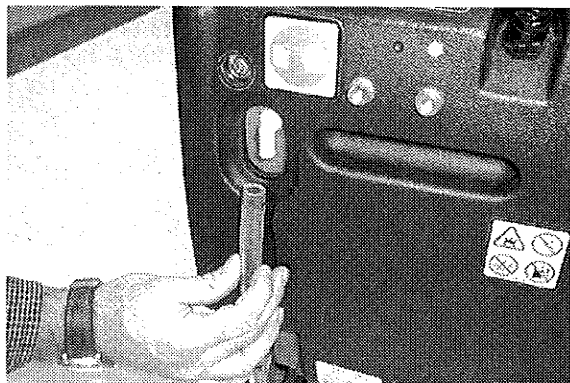


FIG. 12

2. Vuelva a colocar la manguera de drenaje.

MANTENIMIENTO DE LA MAQUINA

Para mantener la máquina en buenas condiciones de trabajo, simplemente siga los procedimientos diarios, semanales y mensuales, de mantenimiento.

PARA SU SEGURIDAD: Desenchufe el cordón del enchufe de pared, al prestar servicio a la máquina.

MANTENIMIENTO DIARIO (Cada 4 horas de operación)

1. Vacíe y enjuague bien el tanque de recuperación (Figura 11).
2. Extraiga el tamiz flotante de corte de la cubierta del tanque de recuperación y limpie (Figura 13).

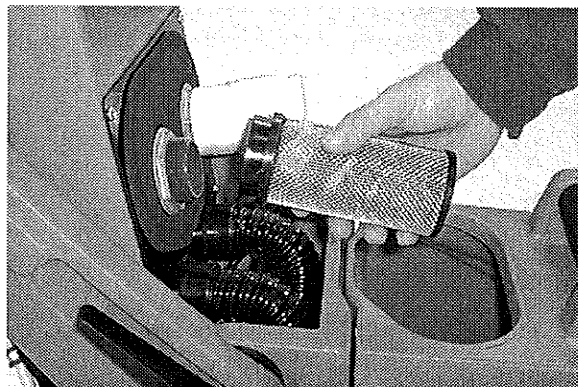


FIG. 13

3. Drene el agua restante del tanque de solución (Figura 12).
4. Limpie el tamiz del orificio de llenado del tanque de solución.
5. Extraiga las fibras enredadas de la alfombra y desechos, del cepillo (Figura 14).

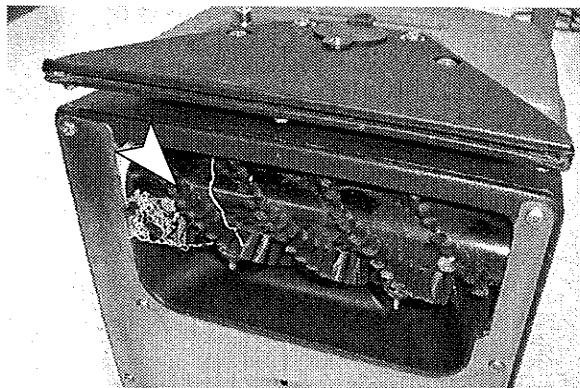


FIG. 14

OPERACIÓN

6. Extraiga los desechos atrapados en el cabezal de aspiración (Figura 15).

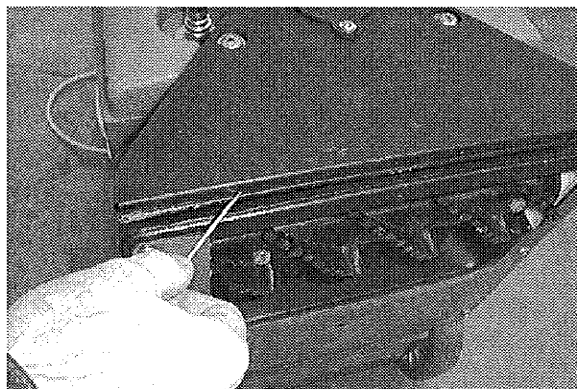


FIG. 15

7. Limpie frotando el cordón eléctrico e inspeccione por daños, reemplace si fuera necesario. Enrolle prolijamente el cordón después de usar.
8. Limpie la máquina con un limpiador universal y un trapo húmedo (Figura 16).

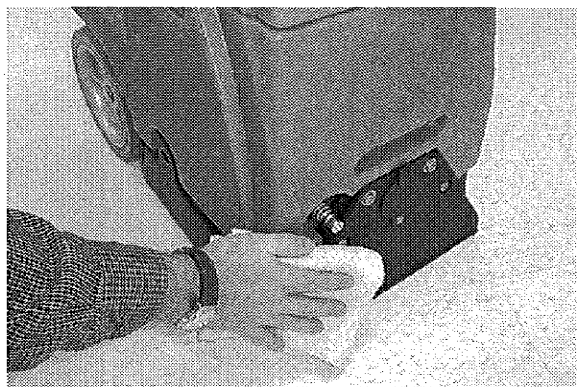


FIG. 16

MANTENIMIENTO SEMANAL (Cada 20 horas de operación)

1. Inspeccione las mangueras de aspiración por perforaciones y cubiertas flojas.
2. Inspeccione el patrón de rociado por taponado. Si taponado, extraiga las boquillas de rociado y lávelas en un líquido neutralizador recomendado por hasta 6 horas. No use objetos aguzados para destapar las boquillas ya que se dañan.

PARA SU SEGURIDAD: Al usar la máquina, observe las instrucciones de mezcla y manejo en los recipientes químicos.

3. Inspeccione el cordón y la empuñadura del cordón por daños. Si está dañado reemplace inmediatamente.

MANTENIMIENTO MENSUAL (Cada 80 horas de operación)

1. Lave el sistema de la solución con solución de ácido acético para disolver la acumulación alcalina normal.
 - a. Agregue 7.5L (2 gal.) de agua caliente 60°C (140°F) al tanque de solución. Agregue un líquido neutralizador según instrucciones de mezclar en la botella.

NOTA: *Habla con su surtidor químico para un líquido neutralizador recomendado.*

PARA SU SEGURIDAD: Al usar la máquina, observe las instrucciones de mezcla y manejo en los recipientes químicos.

- b. Coloque el cepillo sobre el desagüe y opere la máquina por un minuto.
 - c. Entonces, conecte la manguera de solución del accesorio de mano a la máquina y también sobre el desagüe, opere el accesorio por un minuto.
 - d. Apague la máquina y permita que la solución restante disuelva la acumulación alcalina durante la noche.
 - e. El día siguiente, rocíe la solución restante y lave el sistema con 11L (3 gal.) de agua limpia.
2. Lubrique las ruedas con un aceite resistente al agua.
 3. Inspeccione la máquina por pérdidas de agua y ferretería floja.

MANTENIMIENTO TRIMESTRAL (Cada 250 horas de operación)

Inspeccione el motor de aspiración por desgaste de las escobillas de carbón. Reemplace las escobillas si se han gastado a un largo de 10mm (0.38 pul.) o menos.

Las reparaciones del motor deberán ser realizadas por personal autorizado.

ALMACENAJE DE LA MAQUINA

1. Asegúrese de drenar y enjuagar el tanque de todo el agua, antes de almacenar la máquina.
2. Almacene la máquina en un área seca en posición vertical.
3. Abra la cubierta del tanque de recuperación para facilitar la circulación del aire.

ATENCION: No exponga a la lluvia. Almacene bajo techo.

ATENCION: Asegúrese que la máquina y el sistema de solución estén completamente drenados y secos, si almacena la máquina a temperaturas de congelación.

ARTICULOS RECOMENDADOS A MANTENER EN EXISTENCIA

Para los artículos recomendados a mantener en existencia, refiérase a la sección de Lista de Piezas. Los artículos para mantener en existencia están claramente identificados con una bala que precede a la descripción de las piezas. Vea el ejemplo de abajo:

Ref.	Part No.	Description	Qty.
1	701103	ASM., STANDPIPE	1
2	186613	◆FLOAT, SHUTOFF	1
3	230197	NIPPLE	1
4	101714	◆GASKET	1
5	210240	NUT, FLANGED	1

OPERACIÓN

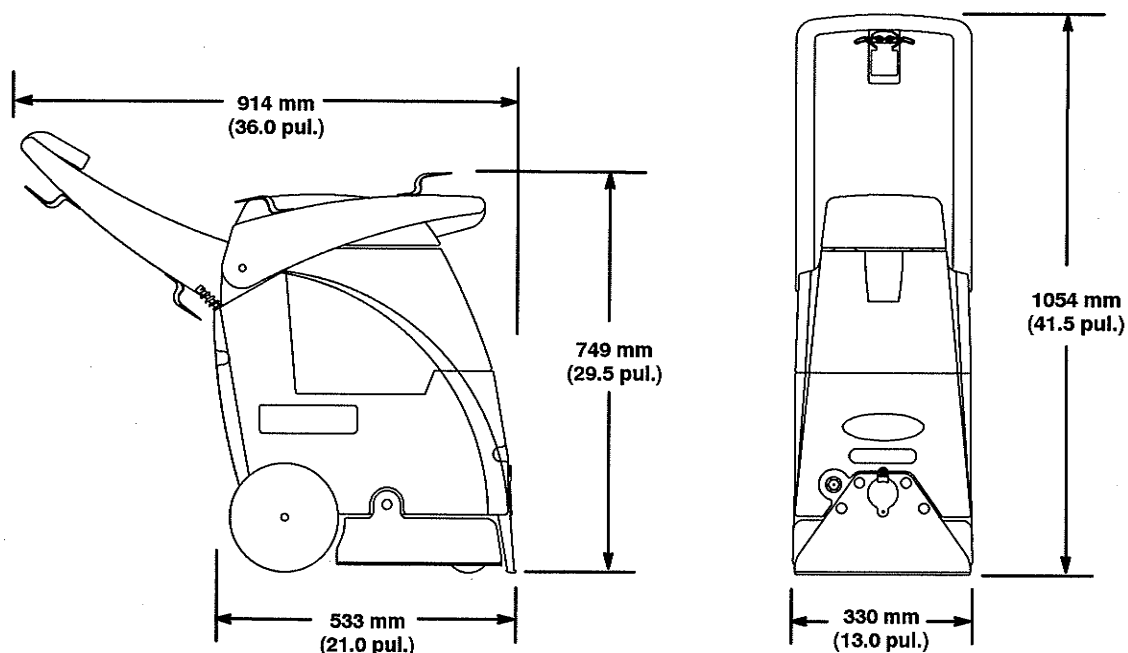
LOCALIZACION DE FALLAS

PROBLEMA	CAUSA	SOLUCION
La máquina no funciona.	Conmutadores o cableado defectuosos.	Consulte con el Centro de Servicio.
	Cordón eléctrico defectuoso.	Consulte con el Centro de Servicio.
	Activado el interruptor de circuitos del edificio.	Regradúe el interruptor.
El motor de cepillo no funciona.	El interruptor de circuito del motor de cepillo disparó.	Permita que la bomba se refresque y reajustar el interruptor.
	Gatillos no oprimidos.	Oprima los gatillos de cepillo y los de solución.
	Correa del cepillo floja o rota.	Consulte con el Centro de Servicio.
	Conmutador del gatillo o cableado defectuosos.	Consulte con el Centro de Servicio.
	El motor de cepillo está defectuoso.	Consulte con el Centro de Servicio.
La bomba de solución no funciona.	El interruptor de circuito del bombeo de solución disparó.	Permita que la bomba se refresque y reajustar la bomba.
	Gatillos no oprimidos.	Oprima los gatillos de cepillo y los de solución.
	Conmutador del gatillo o cableado defectuosos.	Consulte con el Centro de Servicio.
	El motor de la bomba de solución está defectuosa.	Consulte con el Centro de Servicio.
El motor de aspiración no funciona.	Cableado flojo o roto.	Consulte con el Centro de Servicio.
	Conmutador de aspiración defectuoso.	Consulte con el Centro de Servicio.
	Motor de aspiración defectuoso.	Consulte con el Centro de Servicio.
	Escobillas de carbón gastadas.	Consulte con el Centro de Servicio.
Mala aspiración de la solución.	Junta de la cubierta del tanque de recuperación, defectuosa.	Reemplace la junta.
	Tamiz flotante de corte, taponado.	Abra la cubierta del tanque de reparación y limpie la pelusa del tamiz.
	El orificio de aspiración de la herramienta accesoria está floja o falta.	Inspeccione la cubierta del orificio de la manguera de aspiración.
	Conexiones de la manguera de aspiración, flojas.	Asegure las conexiones debajo de la cubierta.
	Manguera de aspiración, defectuosa.	Reemplazar la manguera.
	Cubiertas de las manguera de aspiración, flojas.	Asegure las cubiertas a la manguera.
	Impulsa la máquina demasiado rápido.	Haga más lento el proceso de limpieza.
Rociado irregular o faltante.	Boquillas de rociado taponadas.	Limpie o reemplace las boquillas.
	Tamaño de las boquillas de rociado o ángulo de rociado, incorrectos.	Reemplace con boquillas apropiadas.
	Válvula solenoide taponada.	Consulte con el Centro de Servicio.
	Boquillas de rociado gastadas.	Reemplace las boquillas de rociado.
	Contenido bajo del tanque de solución o está vacío.	Llene el tanque de solución.
	Bomba de solución defectuosa.	Consulte con el Centro de Servicio.
	La bomba requiere cebado.	Cebe la bomba apretando la boquilla de acople de la manguera de la solución, ubicada al frente de la máquina.

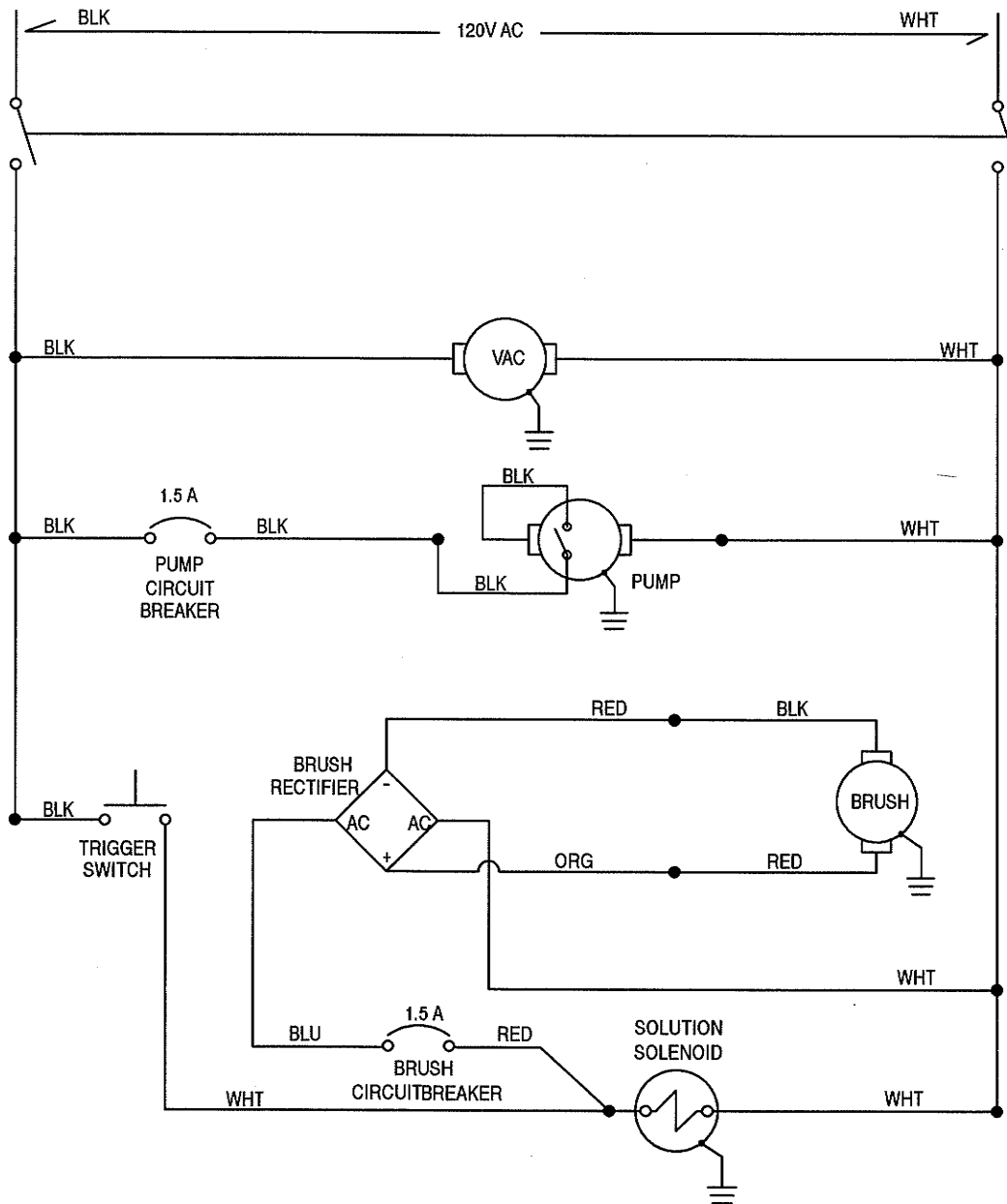
ESPECIFICACIONES

Modelo	Marksman™ 412
LARGO	533 mm (21 pul.) con el mango plegado.
ANCHO	330 mm (13 pul.)
ALTO	749 mm (29.5 pul.) con el mango plegado.
PESO	27 kg. (60 lb.)
CAPACIDAD DEL TANQUE DE SOLUCION	15 L (4 gal.)
CAPACIDAD DEL TANQUE DE RECUPERACION	15 L (4 gal.)
ANCHO DE COBERTURA DE LIMPIEZA	273 mm (10.75 pul.)
VELOCIDAD MAXIMA DE LIMPIEZA	130 m ² (1400 pies. cuadr.) por hora
MOTOR DEL CEPILLO	120VDC, 0.1HP, .75A, 90VAT., 1880 RPM - sin carga 230VDC, 0.1HP, .38A, 90VAT., 1880 RPM - sin carga
VELOCIDAD DEL CEPILLO	1038 rpm - sin carga
BOMBA DE SOLUCION	120VDC, 4.1 barias (60psi), .7 A, 5.3 LPM (1.4 GPM) 230VDC, 4.1 barias (60psi), .35 A, 5.3 LPM (1.4 GPM)
MOTOR DE ASPIRACION	120V, 1.5 HP, 9.1A, 1092VAT., 2 etapas, 103 cfm 230V, 1.4 HP, 4.7A, 1046VAT., 2 etapas, 105 cfm 240V, 1.5 HP, 5.0A, 1138VAT., 2 etapas, 111 cfm
ELEVADOR SELLADO DE AGUA	120V Modelo - 2324 mm (91.5 pul.), 230V Modelo - 2514 mm (99 pul.)
CONSUMO TOTAL DE ENERGIA	120V Modelo, 10.6A, 1272 VAT. 230V Modelo, 5.4A, 1249 VAT.
CORDON ELECTRICO	7.6 M (25 pies) 16/3 - 120V, 3X1.5MM ² -230V
CANTIDAD DE DECIBELES EN EL OIDO DEL OPERADOR, INTERIOR SOBRE LA ALFOMBRA.	<72db (A)

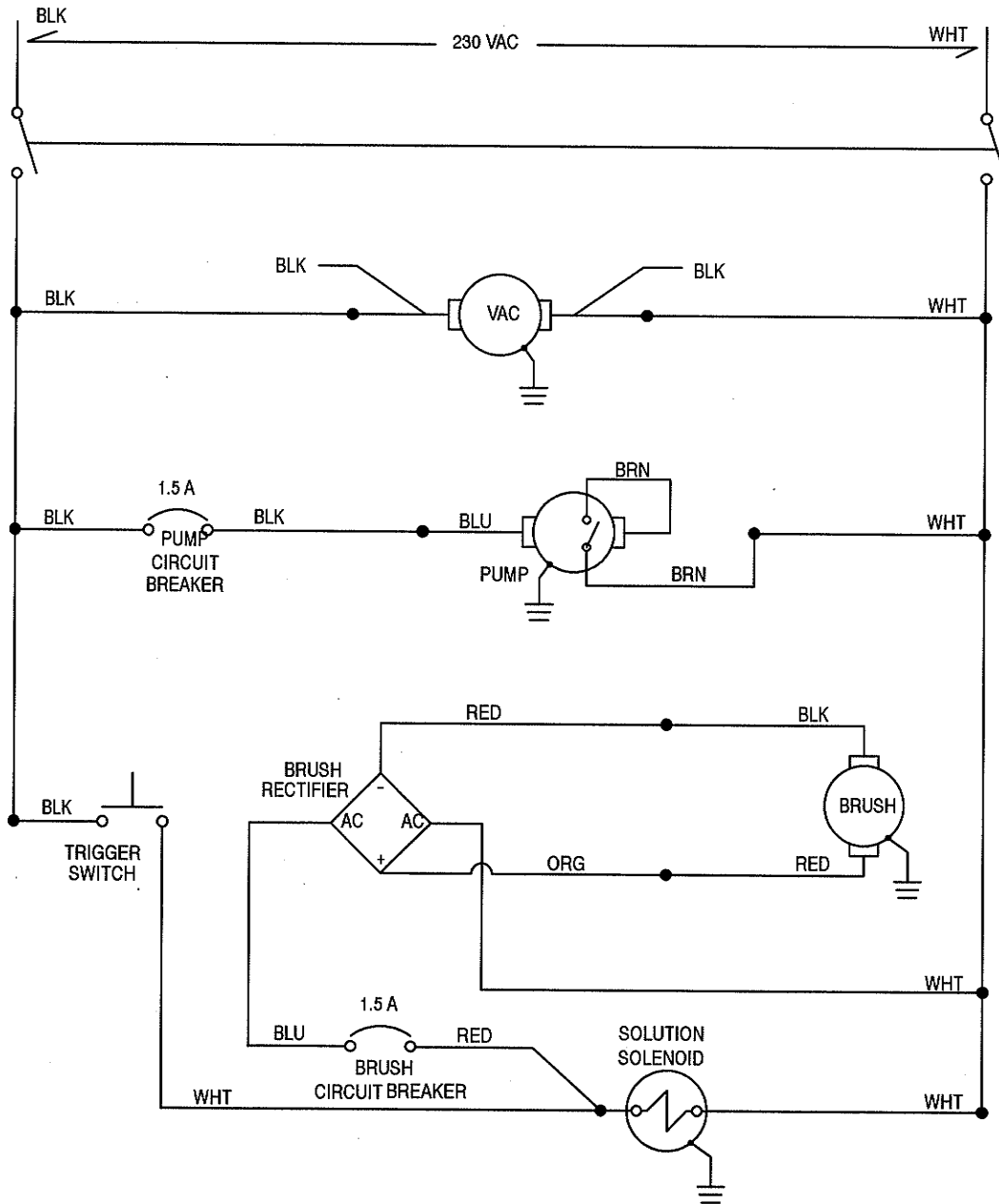
DIMENSIONES DE LA MAQUINA



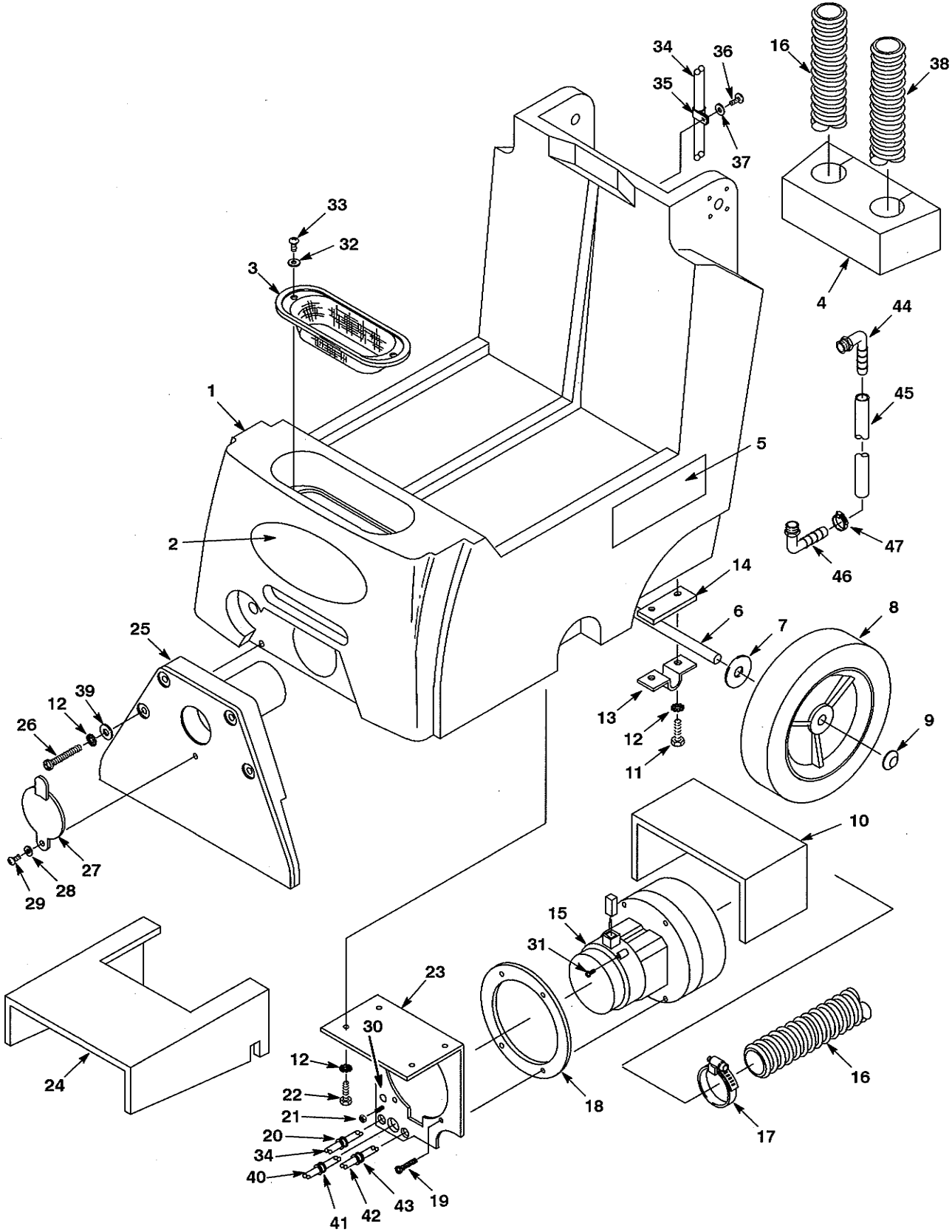
120V LADDER DIAGRAM
DIAGRAMA ESCALONADO



230V LADDER DIAGRAM
DIAGRAMA ESCALONADO



SOLUTION TANK GROUP
GRUPO DEL TANQUE DE SOLUCION



SOLUTION TANK GROUP
GRUPO DEL TANQUE DE SOLUCION

REF	PART #	DESCRIPTION	QTY.
1	608427	SOL TANK, GREEN	1
2	608188	DECAL, "NOBLES"	1
3	607298	●STRAINER, SCREEN	1
4	609063	FOAM, SOUND	1
5	608453	DECAL, "MARKSMAN 412" SIDE	2
6	230739	AXLE, 1/2DIA X 13-1/8	1
7	140045	WASHER, 1/2 FLAT	2
8	607277	●WHEEL, 8"DIA GRAY	2
9	103019	CAP, HUB	2
10	607181	FOAM, SOUND	1
11	600385	SCREW, M6X1.0X20	4
12	140052	WASHER, 1/4 EXT	12
13	230746	BRACKET, AXLE OFFSET	2
14	609111	PLATE, SHIM	2
15	607179	●VAC, MOTOR 5.7 2S 120V	1
	190155	●BRUSH, CARBON 2/PK for 607179	2
	607281	●VAC, MOTOR 5.7 2S 230V	1
	190159	●BRUSH, CARBON 2/PK for 607281	2
16	607276	HOSE, VAC 1-1/2ID X 19"	1
17	140307	●CLAMP, HOSE	1
18	100143	●GASKET, VAC MOTOR	1
19	140340	SCREW, #10X5/8	4
20	14865	BUSHING	1
21	140297	NUT, M5X.8 HEX	1
22	608322	SCREW, M6X1.0X16	4
23	610997	PLATE, VAC MOTOR MTG	1

REF	PART #	DESCRIPTION	QTY.
24	609064	FOAM, SOUND	1
▽25	607170	●TOOL, PICK-UP 13" ASSEMBLY	1
▲26	608324	SCREW, M6X1.0X40	4
▲27	607183	SEAL, CAP	1
▲28	140011	WASHER, 3/16 FLAT	1
▲29	140801	SCREW, 8-32X3/8	1
30	578859	DECAL, GROUND	1
31	140897	SCREW, GROUND	1
32	140032	WASHER, #6 FLAT	2
33	140826	SCREW #6X3/4	2
34	611305	CORD, 18/2X66" BLACK	1
35	140324	CLAMP, CABLE 5/16ID	1
36	140340	SCREW, #10X5/8	1
37	140011	WASHER, 3/16 FLAT	1
38	607275	HOSE, VAC 1-1/2ID X 33"	1
39	140027	WASHER, 5/16 FLAT	4
40	611040	CORD, 18/5X41"	1
41	605395	BUSHING	1
42	611041	CORD, 18/5 X 54"	1
43	130698	BUSHING, SNAP	1
44	609112	FITTING, 1/4MX3/8H	1
45	608334	●HOSE, SIGHT-GAGE/DRAIN	1
46	150415	FITTING, 1/4MX3/8H	1
47	140301	●CLAMP, HOSE	1

▽ ASSEMBLY

▲ INCLUDED IN ASSEMBLY

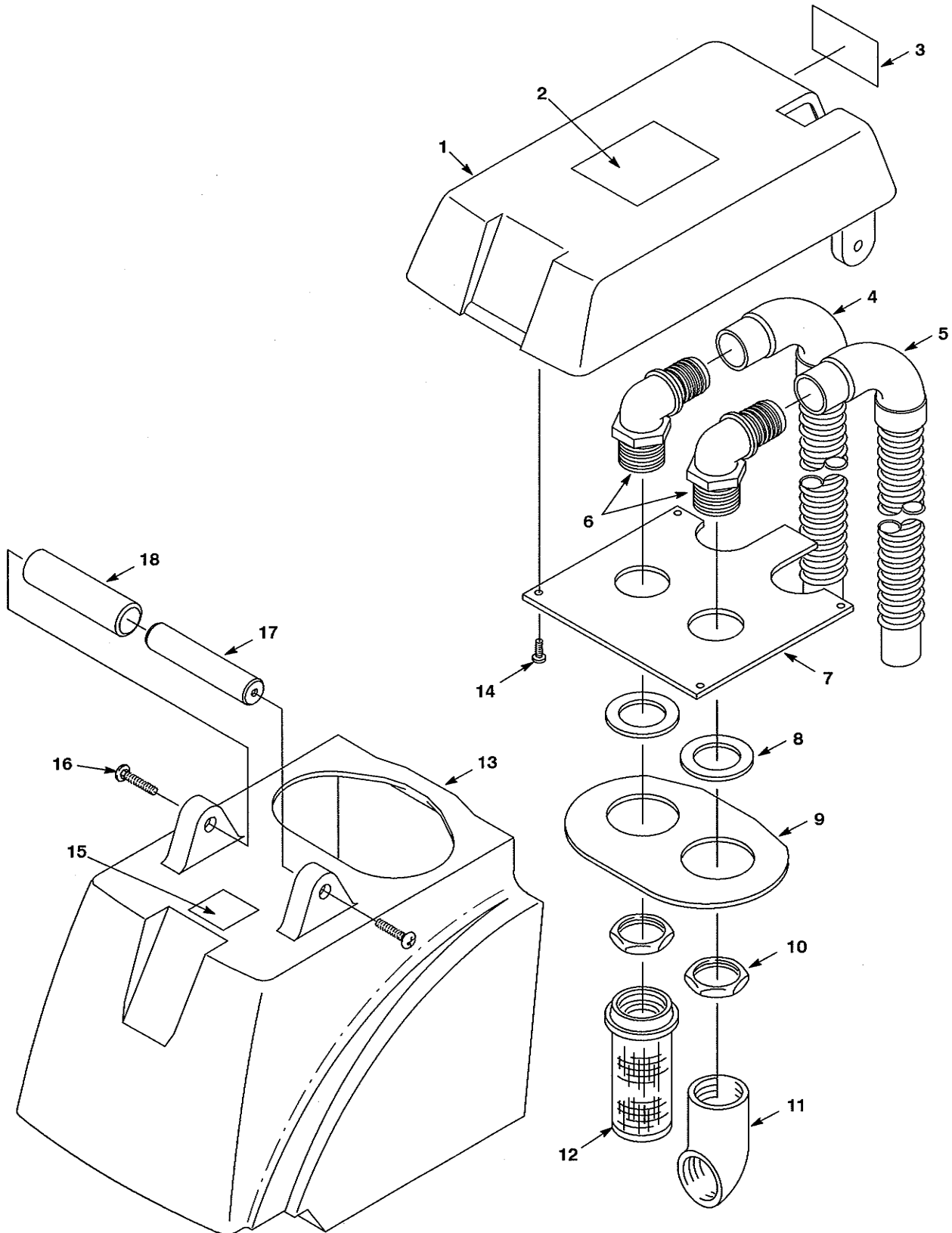
● RECOMMENDED STOCK ITEMS

▽ CONJUNTO

▲ INCLUIDO EN EL CONJUNTO

● ARTICULOS RECOMENDADOS PARA MANTENER EN EXISTENCIA

RECOVERY TANK GROUP
GRUPO DEL TANQUE DE RECUPERACION



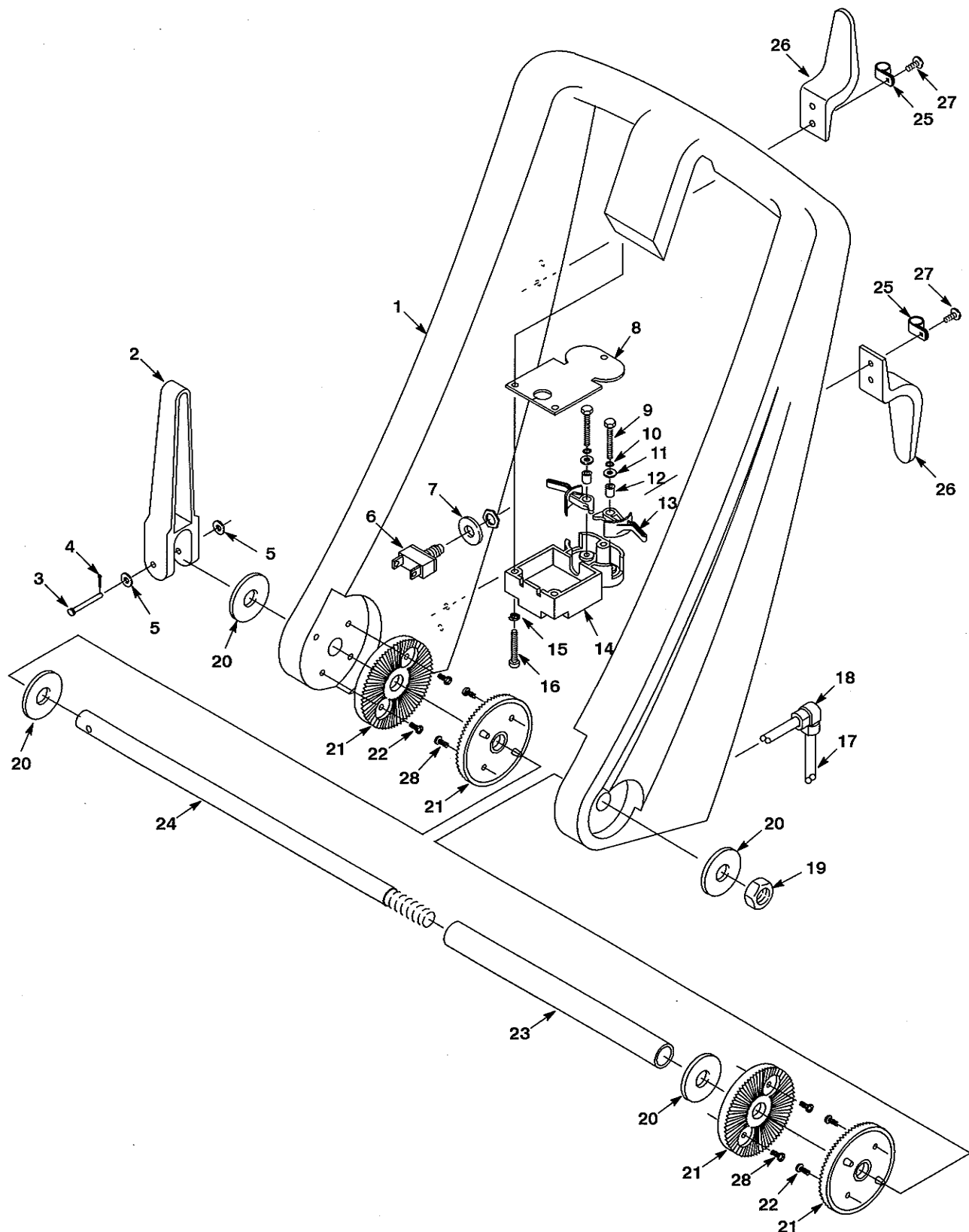
RECOVERY TANK GROUP
GRUPO DEL TANQUE DE RECUPERACION

REF	PART #	DESCRIPTION	QTY.
1	608437	COVER, GREEN	1
2	611042	DECAL, INSTRUCTIONS TXTLS	1
3	120619	DECAL, "WARNING-EXTRACTORS"	1
4	607276	●HOSE, VAC 1-1/2IDX19"	1
5	607275	●HOSE, VAC 1-1/2IDX33"	1
6	607297	FITTING, 1-1/2MX1-1/2H90	2
7	607172	COVER, PLATE	1
8	210234	●GASKET	2
9	607290	●GASKET, COVER PLATE	1

REF	PART #	DESCRIPTION	QTY.
10	210240	NUT, FLANGE	2
11	609065	FITTING, 1-1/2F 90PVC	1
12	609531	●FLOAT, SHUT-OFF (1)BALL	1
13	608432	REC TANK, GREEN	1
14	607006	SCREW M4X.7X12	4
15	630420	DECAL, "FLAMMABLE MATERIAL"	1
16	608324	SCREW, M6X1.0X40	2
17	607294	BAR	1
18	102569	●GRIP, FOAM	1

- RECOMMENDED STOCK ITEMS
- ARTICULOS RECOMENDADOS PARA MANTENER EN EXISTENCIA

HANDLE GROUP
GRUPO DEL MANGO



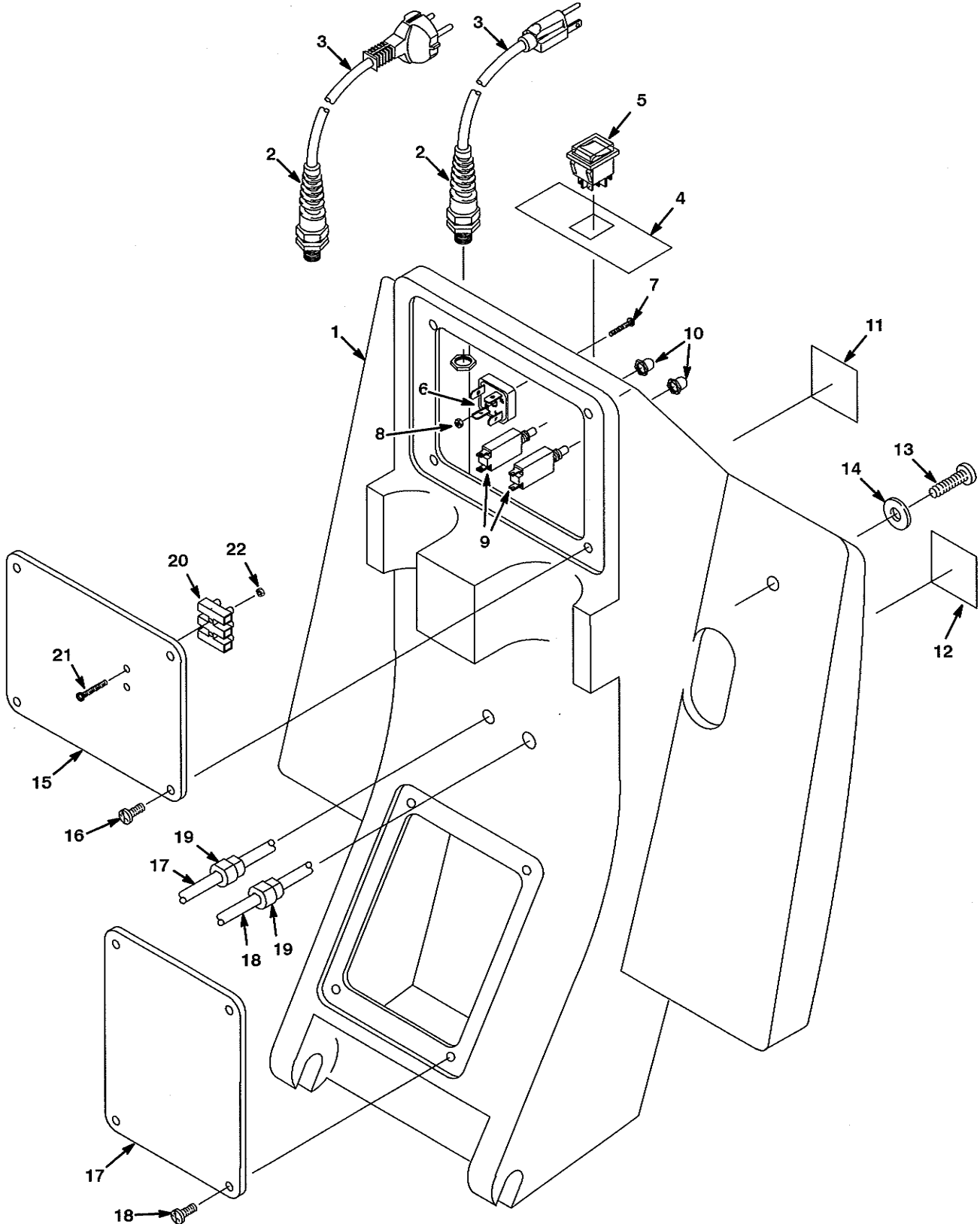
HANDLE GROUP
GRUPO DEL MANGO

REF	PART #	DESCRIPTION	QTY.
1	608442	HANDLE, GREEN	1
2	607315	●LEVER, CAMLOCK	1
3	607278	PIN, CLEVIS	1
4	140630	PIN, COTTER	1
5	140011	WASHER, 3/16 FLAT	2
6	130712	SWITCH, MOMENTARY PULSE	1
7	578430	WASHER, 1/2" FLAT	1
8	606349	GASKET, TRIGGER CONSOLE	1
9	069764190	SCREW, M3X.5X16	2
10	200662012	WASHER, M3 INT	2
11	578186000	WASHER, M4 FLAT	2
12	578082000	SPACER	2
13	578002000	ARM, TRIGGER	2
14	601429	CONSOLE, TRIGGER	1

REF	PART #	DESCRIPTION	QTY.
15	140023	WASHER, #8 INT	3
16	200070354	SCREW, M4X.7X30	3
17	611305	CORD, 18/2X66" BLACK	1
18	608323	BUSHING, STRAIN-RELIEF	1
19	200160019	NUT, M12	1
20	140045	WASHER, 1/2 FLAT	4
21	607175	●SERRATED PAD	4
22	609062	SCREW, M5X.8X12	4
23	608419	TUBE	1
24	607177	SHAFT	1
25	140324	CLAMP, CORD	2
26	230920.BK	HOOK, CORD	2
27	607006	SCREW, M4X.7X12	4
28	608322	SCREW, M6X1.0X16	4

- RECOMMENDED STOCK ITEMS
- ARTICULOS RECOMENDADOS PARA MANTENER EN EXISTENCIA

REAR PANEL GROUP
GRUPO DEL PANEL POSTERIOR



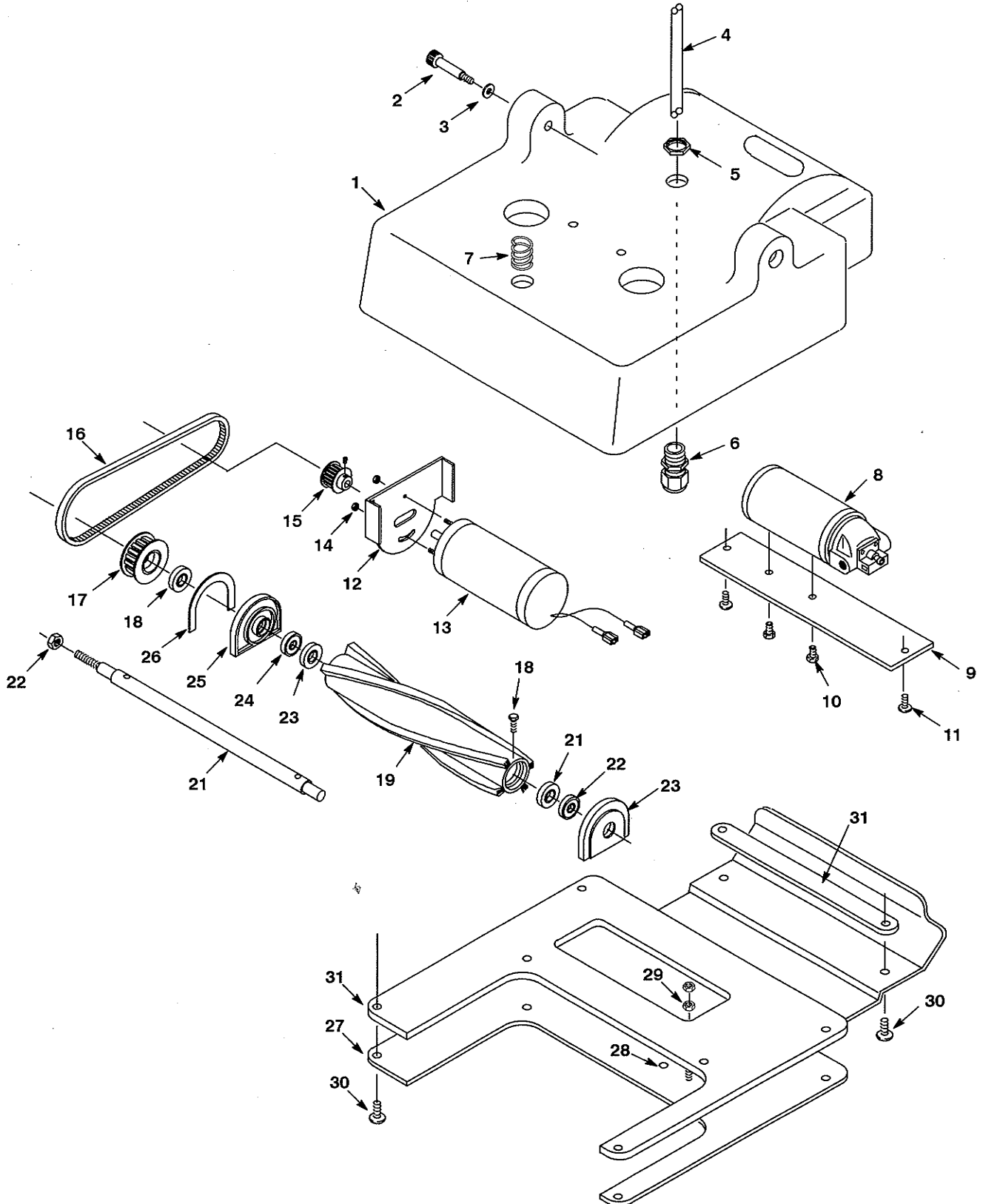
REAR PANEL GROUP
GRUPO DEL PANEL POSTERIOR

REF	PART #	DESCRIPTION	QTY.
1	611335	PANEL, REAR RM-BLACK	1
2	130166	●GRIP, STRAIN-RELIEF W/NUT	1
3	130222	●CORD, 16/3X25' YELLOW 120V	1
	600324	●CORD, 3X1.5MM 2X15M BLK 230V	1
4	611044	DECAL, "SWITCHES"	1
5	602670	●SWITCH, ROCKER	1
6	130304	●RECTIFIER, BRIDGE 600V 15AMP	1
7	140335	SCREW, 10-24X1	1
8	140336	NUT, 10-24	1
9	578337000	●BREAKER, CIRCUIT 1.5A	2
10	578734	●SPLASHGUARD, CRCT BREAKER	2
11	578729	DECAL, READ MANUAL	1

REF	PART #	DESCRIPTION	QTY.
12	630420	DECAL, FLAMMABLE MATERIAL	1
13	600385	SCREW, M6X1.0X20	2
14	140027	WASHER, 5/16 FLAT	2
15	608420	COVER, PLATE	2
16	607006	SCREW, M4X.7X12	8
17	611040	CORD, 18/5X41" BLACK	1
18	611041	CORD, 18/5X54" BLACK	1
19	605395	BUSHING, STRAIN-RELIEF	2
20	130005	STRIP, TERMINAL (230V MODEL)	1
21	140879	SCREW, 6-32X3/4 (230V MODEL)	2
22	140534	NUT, 3-32 (230V MODEL)	2

- RECOMMENDED STOCK ITEMS
- ARTICULOS RECOMENDADOS PARA MANTENER EN EXISTENCIA

BRUSH GROUP
GRUPO DEL CEPILLO



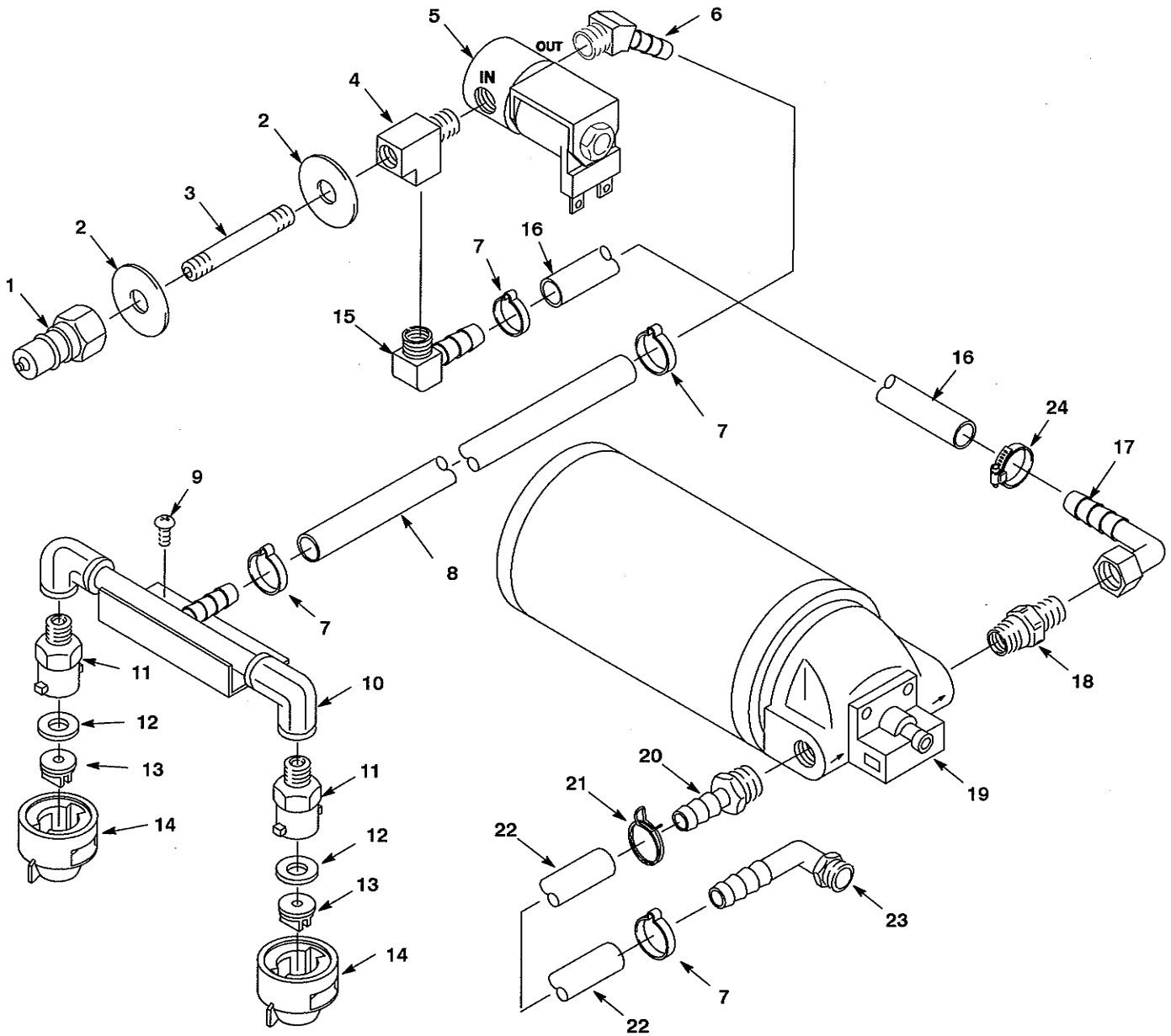
BRUSH GROUP
GRUPO DEL CEPILLO

REF	PART #	DESCRIPTION	QTY.
1	610995	BASE, BRUSH RM-BLACK	1
2	200017494	SCREW, M8X30	2
3	140027	WASHER, 5/16 FLT	2
4	611041	CORD, 18/5X54" BLACK	1
5	140638	NUT, BUSHING STRAIN-RELIEF	1
6	130181	BUSHING, STRAIN-RELIEF	1
7	611039	SPRING, COMPRESSION	1
8	606778	●PUMP, SOLUTION 60PSI 120V	1
	611045	●PUMP, SOLUTION 60PSI 230V	1
9	610958	PLATE, PUMP MTG	1
10	140751	SCREW, 10-32	2
11	607006	SCREW, M4 X .7 X 12	2
12	230366	PLATE, BRUSH MOTOR MOUNT	1
13	130471	●BRUSH MOTOR, 120VDC	1
	130472	●BRUSH MOTOR, 230VDC	1
14	140518	NUT, 10-32 KEP SS	2
15	230506	●PULLEY	1

REF	PART #	DESCRIPTION	QTY.
16	230507	●BELT, BRUSH DRIVE	1
17	230505	●PULLEY, BRUSH DRIVE	1
18	230363	SPACER	1
19	607176	●BRUSH, 13"	1
20	140554	SCREW, 1/4-20X3/4	4
21	230275	SHAFT, BRUSH 13"	1
22	140548	NUT, 5/16 FINJAM	1
23	100049	●SEAL, BRUSH BEARING	2
24	140125	●BEARING, BRUSH	2
25	230261	●BLOCK, BEARING	2
26	100005	●GASKET, BEARING BLOCK	1
27	610986	PLATE, BRUSH BASE	1
28	578859	DECAL, GROUND	1
29	140297	NUT, M5X.8	2
30	609062	SCREW, M5X.8X12	8
31	610987	GASKET, BRUSH BASE	1

- RECOMMENDED STOCK ITEMS
- ARTICULOS RECOMENDADOS PARA MANTENER EN EXISTENCIA

SOLUTION GROUP
GRUPO DE SOLUCION



SOLUTION GROUP
GRUPO DE SOLUCION

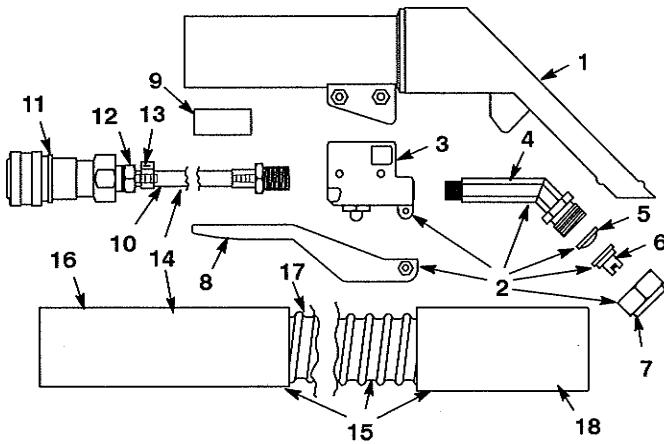
REF	PART #	DESCRIPTION	QTY.
1	150933	FITTING, 1/4F QD SER60	1
2	140008	WASHER, 9/16 FLAT	2
3	150618	FITTING, 1/4MX3"	1
4	150709	FITTING, 1/4MX1/4FX1/4F	1
5	210033	●VALVE, SOLENOID 120V 60 HZ	1
	210036	●VALVE, SOLENOID 230V 50 HZ	1
6	605394	FITTING, 1/4MX3/8H 45 ELBOW	1
7	140301	●CLAMP, HOSE	5
8	609434	HOSE, 3/8IDX5/8ODX10.5"	1
9	604930	SCREW, M5X.8X10	2
10	608421	TUBE, NOZZLE	1
11	575281000	●BODY, QUICK-JET	2
12	575276000	●GASKET, QUICK-JET	2

REF	PART #	DESCRIPTION	QTY.
13	200964	●FITTING, TIP 11003	2
14	575282000	●CAP, QUICK-JET	2
15	150419	FITTING, 1/4MX3/8H	1
16	606163	HOSE, 3/8IDX5/8ODX19"	1
17	611010	FITTING, 1/2F SWIVEL	1
18	611009	FITTING, 3/8MX1/2M	1
19	606778	●PUMP, SOLUTION 60PSI 120VDC	1
	611045	●PUMP, SOLUTION 60PSI 230VDC	1
20	150538	FITTING, 3/8MX3/8H	1
21	607775	CLAMP	1
22	606163	HOSE, 3/8IDX5/8ODX18"	1
23	150415	FITTING, 1/4MX3/8H	1
24	140310	CLAMP, HOSE	1

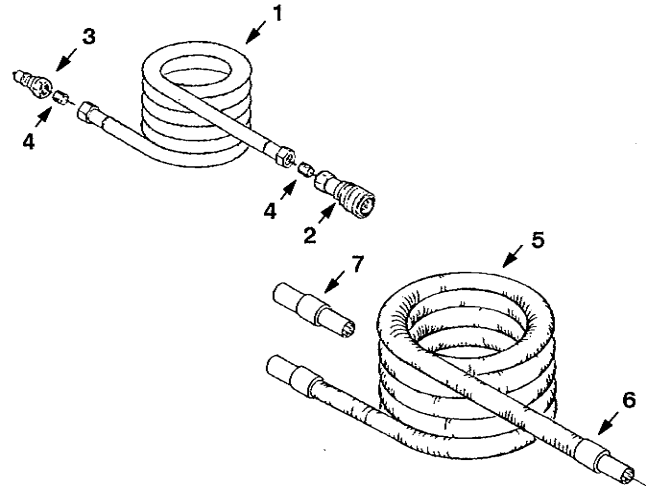
● RECOMMENDED STOCK ITEMS

● ARTICULOS RECOMENDADOS PARA MANTENER EN EXISTENCIA

**HAND TOOL
HERRAMIENTA MANUAL**



**FLOOR TOOL SOLUTION AND VACUUM HOSES
MANGUERAS DE SOLUCION Y ASPIRACION DE LA
HERRAMIENTA PARA PISOS**



REF	PART #	DESCRIPTION	QTY.
	701403	TOOL, HAND WITH HOSE	1
1	608901	TOOL, HAND W/ TRIGGER ASM.	1
	608891	TOOL, HAND	1
	∇2	608899	ASM., TRIGGER
▲3	608894	BODY, VALVE	1
▲4	608895	NOZZLE, SPRAY	1
▲5	608900	SCREEN	1
▲6	608896	TIP, SPRAY	1
▲7	608897	CAP	1
▲8	608898	TRIGGER	1
9	608892	SEAL, SOLUTION HOSE	1
10	560499	HOSE, SOLUTION	1
11	150913	PLUG, QCK. COUPLER - SER. 60	1
12	150514	HOSE BARB, 1/4M X 1/8H - BRASS	1
13	140349	CLAMP	1
14	-	ASM., HOSE VACUUM/SOLUTION	1
∇15	608905	ASM., VACUUM HOSE	1
▲16	609428	CUFF, HOSE 1.5 X 5.25	1
▲17	608903	HOSE, VACUUM 1.5	1
▲18	609440	CUFF, HOSE 1.5 X 3.5	1
	220040	BAG (NOT SHOWN)	1

REF	PART #	DESCRIPTION	QTY.
∇1	160185	HOSE, SOLUTION 15'	1
	160186	HOSE, SOLUTION 25'	1
▲2	150913	COUPLER, QUICK SER. 60	1
▲3	150933	PLUG, QUICK COUPLER	1
▲4	150615	NIPPLE	2
∇5	160400	HOSE, VACUUM 15' W/ CUFFS	1
	160401	HOSE, VACUUM 25' W/ CUFFS	1
▲6	160430	CUFF, HOSE 1-1/2"	2
7	160451	CONNECTOR, VACUUM HOSE 1-1/2"	1

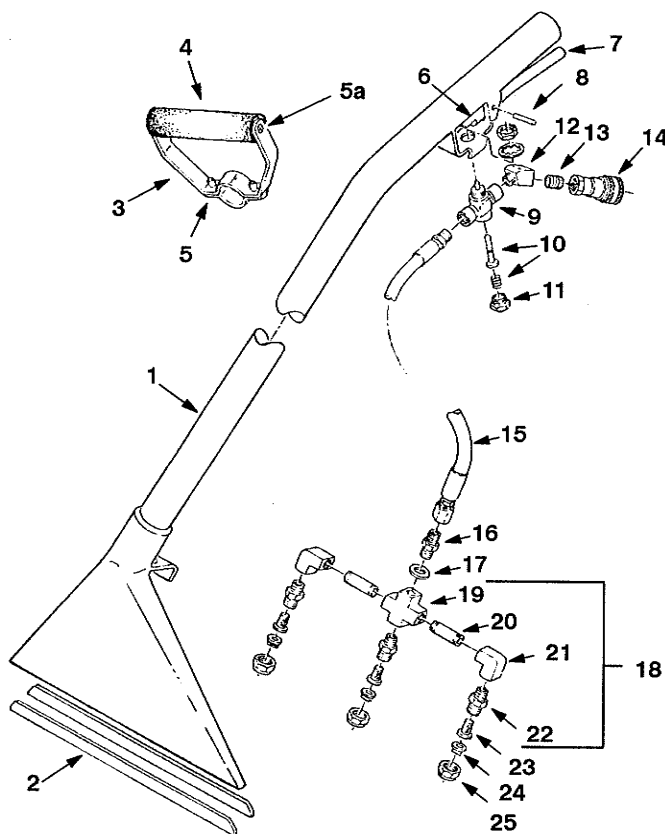
∇ ASSEMBLY

▲ INCLUDED IN ASSEMBLY

∇ CONJUNTO

▲ INCLUIDO EN EL CONJUNTO

FLOOR TOOL
HERRAMIENTA PARA PISOS



REF	PART #	DESCRIPTION	QTY.
	600048	FLOOR TOOL (COMPLETE)	1
1	200403.BK	TOOL, FLOOR	1
2	200939	SHOES, S/S, FLOOR TOOL	2
∇3	200927	GRIP, ADJUSTABLE (COMPLETE)	1
▲4	200912	FOAM, GRIP	1
▲5	140259	SCREW, 1/4-20X5/8	2
▲5a	140834	SCREW, 1/4-20x3/4	2
6	200902	TRIGGER, FLOOR TOOL	1
7	200809	SLEEVE, TRIGGER	1
8	140605	PIN	1
	140520	NUT, PUSH (NOT SHOWN)	2
9	210150	VALVE, FLOW CONTROL	1
10	190603	KIT, VALVE PIN & SPRING	1
11	N/A	CAP, HEX, VALVE	1
12	150403	ELBOW, 1/4-45°	1
13	150615	NIPPLE, CLOSE 1/4	1

REF	PART #	DESCRIPTION	QTY.
14	150913	COUPLER, QUICK SER. 60	1
15	160170	HOSE, SOLUTION, LP	1
16	150606	NIPPLE, HEX 1/4"	1
17	140058	WASHER	1
∇18	700062	ASM., SPRAY BAR	1
▲19	150700	CROSS	1
▲20	150600	NIPPLE	2
▲21	150401	ELBOW, 90° 1/4FX1/4F	2
▲22	200993	SPRAY BODY	3
23	200996	SCREEN, SPRAY BODY	3
24	200964	TIP	3
25	200994	CAP, SPRAY BODY	3

∇ ASSEMBLY

▲ INCLUDED IN ASSEMBLY

∇ CONJUNTO

▲ INCLUIDO EN EL CONJUNTO

