

Castex®

MT3000

30" WIDE AREA VACUUM

MODEL: MT3000

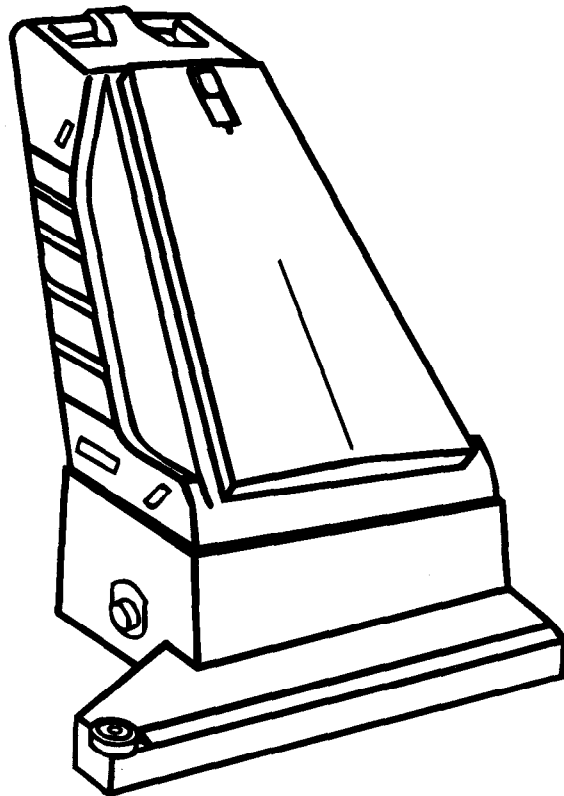
Operator & Parts Manual

Starting Serial No.: MT300 8816 IO

Record Serial No. Here: _____



PDF Version of Manual by:
Michigan Company Inc.
2011 N. High St.
Lansing, Mich. 48906
(517) 484-9312
<http://www.Michco.Com>
Email: Shop@Michco.Com
(c) 1998 by Michco & Others.



CASTEX INCORPORATED
12875 RANSOM STREET
HOLLAND MI 49424

A  COMPANY

1-800-522-7839
616-786-2330
FAX: 1-800-678-4240
CUSTOMER SERVICE: 1-800-365-6625

173279
Rev. 03 (07-96)

RECEIPT OF MACHINE

Carefully check carton for signs of damage. If damaged, file claim with carrier immediately. Concealed damage must be filed within 90 days of receipt for claim support.

IMPORTANT SAFETY PRECAUTIONS

When operating machine the following precautions should always be followed:

This machine is suited to pick up dirt, dry debris and dust in an indoor environment and it is not constructed for any other use. The pickup of any type of liquids is prohibited. Any adaptation for other use voids warranty. Manufacturer declines any liability for such adaptation.

⚠ ATTENTION: All operators and maintenance personnel **MUST** read and understand this manual before operating or maintaining this equipment. For assistance contact your local Service Center.

⚠ WARNING: Hazardous Voltage. Shock or Electro-cution Can Result. Always Unplug Power Cord before Servicing Machine.

⚠ WARNING: Do Not Store Outdoors and Avoid getting wet.

To prevent potential dangerous conditions to the operator or equipment, carefully follow instructions below.

DO NOT OPERATE MACHINE:

- Unless Trained and Authorized.
- Unless operators manual is read and understood.
- If it is not in proper operating condition.
- With a damaged power cord or plug.
- Without Vacuum bag or secondary filter installed.

WHEN OPERATING MACHINE:

- Do not run over power cord, a hazard may occur.
- Always work within cable length to avoid cord stress.
- DO NOT pickup ashes or cigarette butts.
- Avoid wet surfaces.
- Avoid hazardous or combustible materials.
- Avoid explosive vapors or dust in the air.

MACHINE SET UP

1. Install selected filter bag by opening bag access door and sliding rubber collar on bag completely onto the intake chamber. Make sure bag is totally within housing before closing door. (Figure 1)



FIG. 1

⚠ ATTENTION: To maintain best performance, empty filter bag when 2/3 full.

2. Plug power cord into 120V wall outlet.

⚠ WARNING: Plug into 120V grounded outlet only. Do not use an adapter or remove ground pin on plug. Do not use if cord is damaged. (Figure 2)

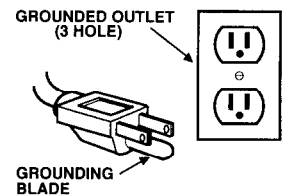


FIG. 2

3. Properly adjust brush height to type of carpet, tilt machine back and turn adjustment knob counterclockwise. Now tilt machine back down to floor and activate triggers. If a slight forward propulsion is noticed, machine is properly adjusted. (Figure 3)

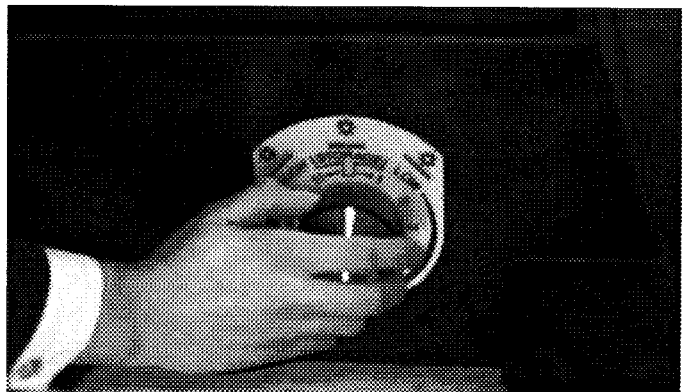


FIG. 3

NORMAL BRUSH ADJUSTMENT RANGES:

THICK PILE CARPET	11 TO 8
MEDIUM PILE CARPET	7 TO 4
LOW PILE CARPET	3 TO 1

MACHINE OPERATION

⚠ WARNING: To reduce risk of fire, electrical shock or injury:

- Do not operate where explosive vapors or dust are present in the air.
 - Do not pickup flammable liquids.
 - Disconnect power cord if machine needs service.
 - Keep hands, feet, hair and clothing away from revolving brush.
 - Do not use outdoors or on wet surfaces.
1. Turn on "VACUUM" switch, located on control console. Make sure air flow control knob is pushed in all the way to direct air flow to brush area. (Figure 4)



FIG. 4

2. Squeeze either one or both triggers to activate brush motor. With motor running, push machine forward to vacuum. Revolving brush should help assist in propelling of machine. (Figure 5)

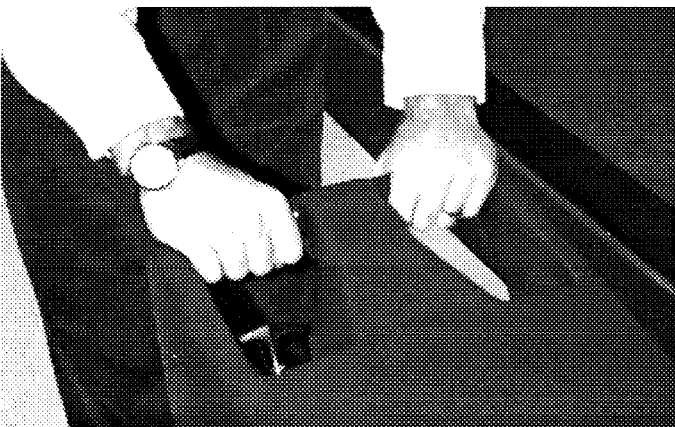


FIG. 5

3. Work away from power cord and receptacle to prevent running over power cord. Use an "S" pattern when cleaning. (Figure 6)

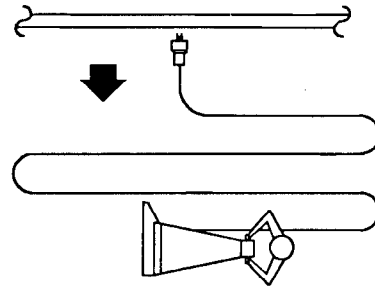


FIG. 6

4. When cleaning against walls or obstructions, use right side of machine with protective roller wheel for easier use and better edge cleaning.

HOSE ATTACHMENT OPERATION

1. Install hose by pushing onto connector, and add desired cleaning attachment. (Figure 7)



FIG. 7

2. Turn on "VACUUM" switch and pull UP on air flow control knob. This will direct vacuum air flow to accessory hose connector. (Figure 8)



FIG. 8

3. Return vacuum control knob to closed position (DOWN) before resuming carpet cleaning.

MAINTENANCE

⚠ WARNING: Hazardous Voltage. To avoid serious personal injury, disconnect power cord before servicing. Repairs must be performed by authorized personnel.

With minimum care, your machine should provide years of service and performance. To keep machine in good working condition, simply follow machines daily, weekly and 6 month maintenance procedures.

DAILY MAINTENANCE:

1. Remove vacuum bag and empty, shake excess dust from bag. Do not wash bag.
2. Check power cord for damage. Replace if damaged.
3. Turn brush adjustment knob to "STORAGE" position and wrap power cord around handle.
4. Wipe off entire machine with damp cloth.

WEEKLY MAINTENANCE:

(OR EVERY 25 HOURS OF OPERATION)

1. Inspect intake chamber for any accumulated debris. Clean if necessary. *(Figure 9)*

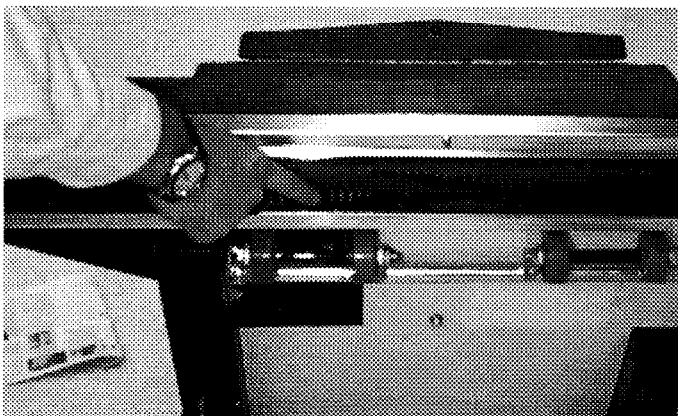


FIG. 9

2. Tip machine back on handle and inspect brush area for debris, string, etc. Clean if necessary.
3. Remove vacuum motor cover from bag housing to access filters. Remove both filters from motors and clean by tapping on a hard surface. Replace motor filters, motor cover and filter bag; close door. *(Figure 10)*



FIG. 10

4. Check door seals for cuts and wear.

SIX MONTH MAINTENANCE:

(OR EVERY 250 HOURS OF OPERATION)

1. Vacuum motor carbon brushes should be inspected for wear. This requires partial machine disassembly. Replace if worn to 3/8" or less. It is recommended that you contact your authorized Service Center for assistance.
2. Inspect carpet brush for wear by position a straight edge across shoe. If bristle extension is 1/8" or less, adjust brush. *(Figure 11)*

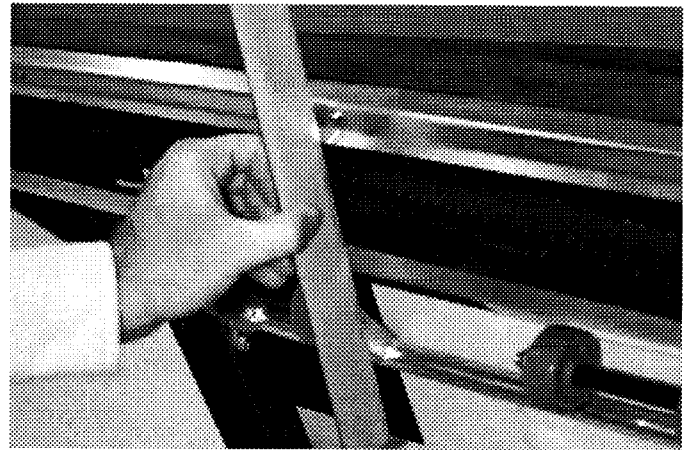


FIG. 11

3. Check brush drive belt for proper tension and alignment.
4. Check vacuum bag for tears, replace if necessary.
5. Check for loose parts and tighten hardware.
6. Check rollers and wheels for wear and free rotation. Add 3 to 4 drops of light oil in each bearing.

ROUTINE ADJUSTMENTS

BRUSH ADJUSTMENT:

If machine fails to pick up or propel properly, or bristles extension from shoe is 1/8" or less, brush adjustment is required. Use following procedures:

1. Tip machine on its left side and remove eight screws holding carpet shoe in place. Remove shoe from lower housing. (Figure 12)

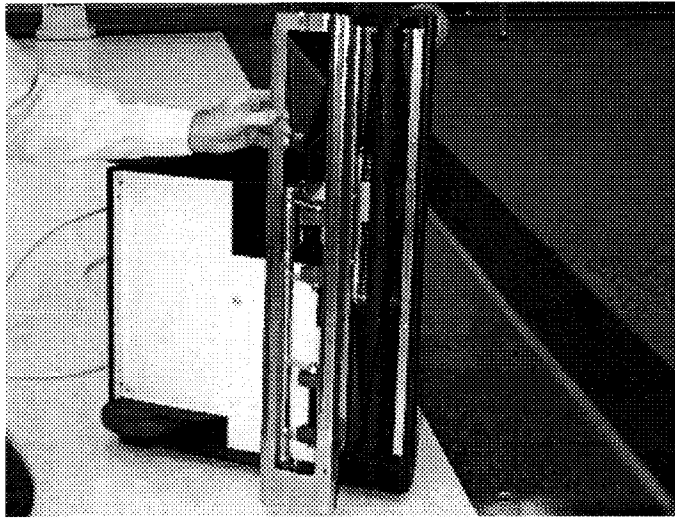


FIG. 12

2. Force drive belt from brush pulley. Notice that rubber bearing blocks have Number "1" showing. (Figure 13)

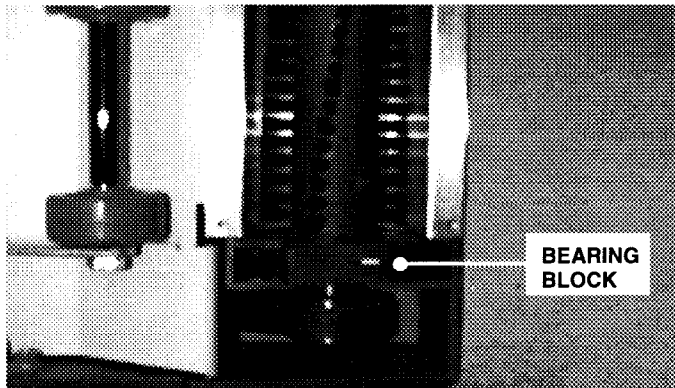


FIG. 13

3. Slide complete brush and block assembly from lower housing, and turn rubber blocks until Number "2" appears with arrows pointing toward front of machine. Install brush back into housing with Number "2" in this position. This procedure extends brush bristles farther through shoe. (Figure 13)
4. This procedure may be repeated one additional time by rotating blocks to position "3". After third position is worn, brush replacement is required.

DRIVE BELT ADJUSTMENT OR REPLACEMENT:

1. Tip machine on its left side and remove three screws holding lower access panel in place. Remove panel from base. (Figure 14)

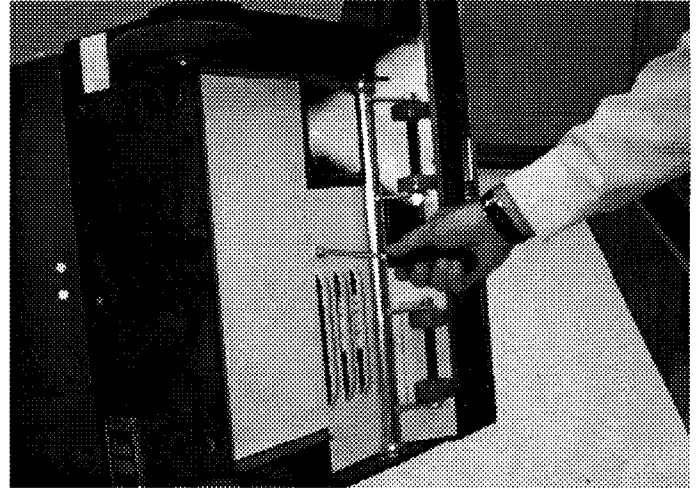


FIG. 14

2. To check drive belt tension: Push against belt in center with moderate force. It should deflect no more than 1/4". If adjustment is required, use a 13MM wrench to turn motor adjustment nut clockwise until proper tension is attained. (Figure 15)

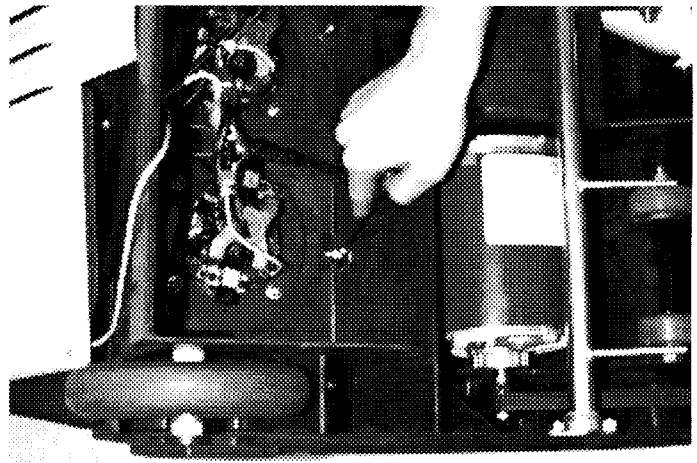
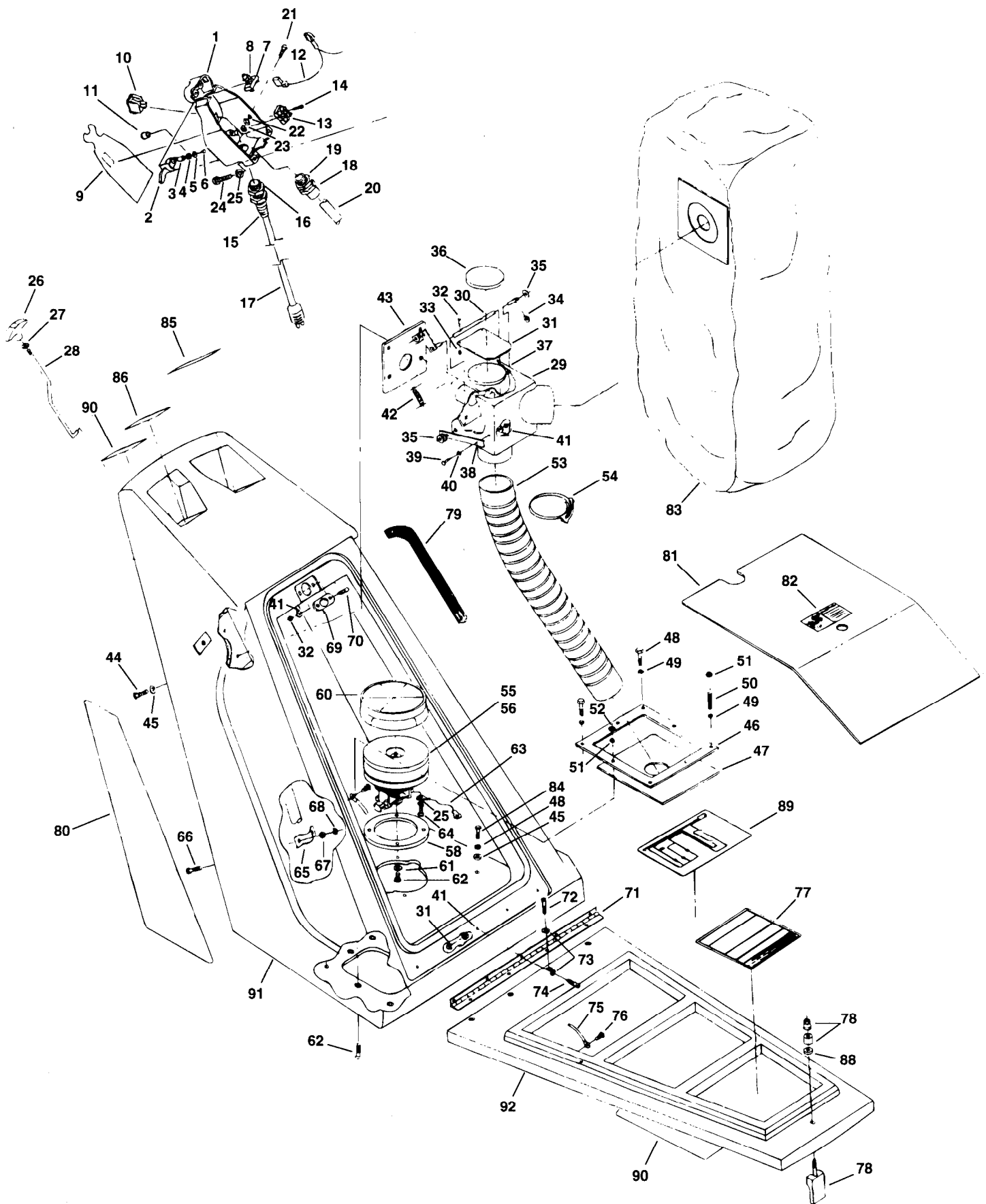


FIG. 15

3. To replace belt, follow BRUSH & DRIVE BELT ADJUSTMENT instructions. Use only original equipment replacement parts.

UPPER HOUSING PARTS



UPPER HOUSING PARTS LIST

ITEM #	DESCRIPTION	PART #	QTY.	ITEM #	DESCRIPTION	PART #	QTY.
1.	COVER, CONSOLE	575577	1	51.	LOCKWASHER	15752.14	5
2.	TRIGGER ARMS	578 002 000	2	52.	NUT, M06	579029	6
3.	SPACER, TRIGGER	578 082 000	2	53.	VACUUM TUBE	573085	1
4.	WASHER, 4.3 MM	578 186 000	2	54.	CLAMP, VACUUM TUBE	573 033 000	1
5.	WASHER, 3.2 MM	200 662 012	2	55.	▼ ASM, VAC/GASKET	039 708 155	2
6.	SCREW, M03 X 16 MM	069 764 190	2	56.	△ MOTOR, VAC FAN	130988	2
7.	SWITCH, PUSH BUTTON	130712	1	57.	△ TERMINAL (NOT SHOWN)	130133	2
8.	WASHER	578430	1	58.	△ GASKET, VAC MOTOR	100122	2
9.	DECAL, CONSOLE COVER	573406	1	59.	CARBON BRUSH (NOT SHOWN)	578429	2
10.	SWITCH, ROCKER	039 708 037	1	60.	FILTER, VACUM MOTOR	180626	2
11.	PLUG, BUTTON TYPE	130164	1	61.	WASHER, 5.2 MM	069 762 056	8
12.	ASM, WIRE 16 GA. BLACK	578 260 000	1	62.	SCREW, 25.4 MM	039 708 255	8
13.	TERMINAL BLOCK, 3 PIN	578 007 000	1	63.	ASM WIRE 16 GA. GREEN	502830	2
14.	SCREW, S-TAP	578 011 000	2	64.	SCREW, GROUND	140897	2
15.	STRAIN RELIEF	130167	1	65.	CLAMP	573069	1
16.	NUT, CONDUIT LOCK 1/2"	140504	1	66.	SCREW, M06 X 20 MM	579201	7
17.	CORD, POWER 14/3 - 75'	573082	1	67.	WASHER, 6.4 MM	200 303 017	2
18.	STRAIN RELIEF	130181	1	68.	NUT, M06	579028	2
19.	LOCKNUT, STRAIN RELIEF	573072	1	69.	LATCH PLATE	039 708 043	1
20.	WIRE HARNESS, 14/4	573059	1	70.	SCREW, M04 X 16 MM	200 631 346	2
21.	SCREW, 10-24	579143	1	71.	HINGE	039 708 211	1
22.	WASHER, 4.8 MM	140031	3	72.	SCREW, M04 X 8 MM	200 070 340	4
23.	NUT, 10-24	579134	2	73.	WASHER	573086	9
24.	SCREW, M03 X 31.3 MM	578 008 000	3	74.	SCREW, M04 X 16 MM	200 070 346	5
25.	WASHER	140018	5	75.	CABLE, DOOR	573 060 000	1
26.	KNOB, CHAMBER ROD	039 708 249	1	76.	SCREW, 16 MM	200 452 107	2
27.	NUT, 1/4-20	069 760 094	1	77.	DECAL, "MAINTENANCE"	039 708 147	1
28.	ROD, CHAMBER	573084	1	78.	LATCH, SWELL PLUG	039 708 060	1
29.	CHAMBER, VACUUM	039 708 134	1	79.	GASKET, DOOR OPENING	573068	1
30.	ROD, CHAMBER ADAPTOR	039 708 234	1	80.	DECAL, LOGO - "NOBLES" (NOBLES)	120240	2
31.	PLATE, CHAMBER ADAPTOR	039 708 243	1		DECAL, MT3000 SIDELINE LT (CASTEX)	120341	1
32.	SCREW, M04 X 12 MM	200 053 343	2		DECAL, MT3000 SIDELINE RT (CASTEX)	601992	1
33.	NUT, M04	200 160 014	9	81.	COVER, VACUUM FANS	039 708 169	1
34.	RETAINING RING	18632	1	82.	DECAL, "WARNING VACUUM FANS"	039 708 244	1
35.	WASHER, 8.4 MM	200 651 019	3	83.	BAG, VACUUM CLOTH	039 708 069	1
36.	GASKET, UPPER CHAMBER	039 708 239	1	84.	SCREW, M06 X 20 MM	200 031 438	6
37.	GASKET, LOWER CHAMBER	039 708 240	1	85.	DECAL, HAZARDOUS VOLTAGE	578 268 000	1
38.	SPRING SUPPORT	039 708 248	1	86.	DECAL, "CAUTION VAC ON"	573 042 000	1
39.	SCREW, M04 X 20 MM	200 756 348	1	87.	BAG, PAPER PKG. OF 10 (NOT SHOWN)	439 708 912	1
40.	NUT, M04	200 102 014	2	88.	SPACER	230363	1
41.	WASHER, 4.3 MM	069 760 097	8	89.	DECAL, WIRING	039 708 004	1
42.	SPRING, CHAMBER ADAPTOR	039 708 241	1	90.	DECAL, "CAUTION DRY PICK UP"	580005	1
43.	GASKET, CHAMBER	039 708 238	1	91.	UPPER HOUSING, NLG (NOBLES)	101216	1
44.	SCREW	140885	4		UPPER HOUSING, NAT (CASTEX)	101212	1
45.	WASHER, 6.4 MM	140012	12	92.	DOOR, UPPER HSG, NLG (NOBLES)	101218	1
46.	SEAL PLATE	039 708 052	1		DOOR, UPPER HSG, NAT (CASTEX)	101214	1
47.	SEAL	039 708 051	1				
48.	SCREW, M06 X 25 MM	200 031 441	2				
49.	WASHER, 6.1 MM	578728	9				
50.	SET SCREW, M6 X 30	200 251 444	1				

▼ = ASSEMBLY

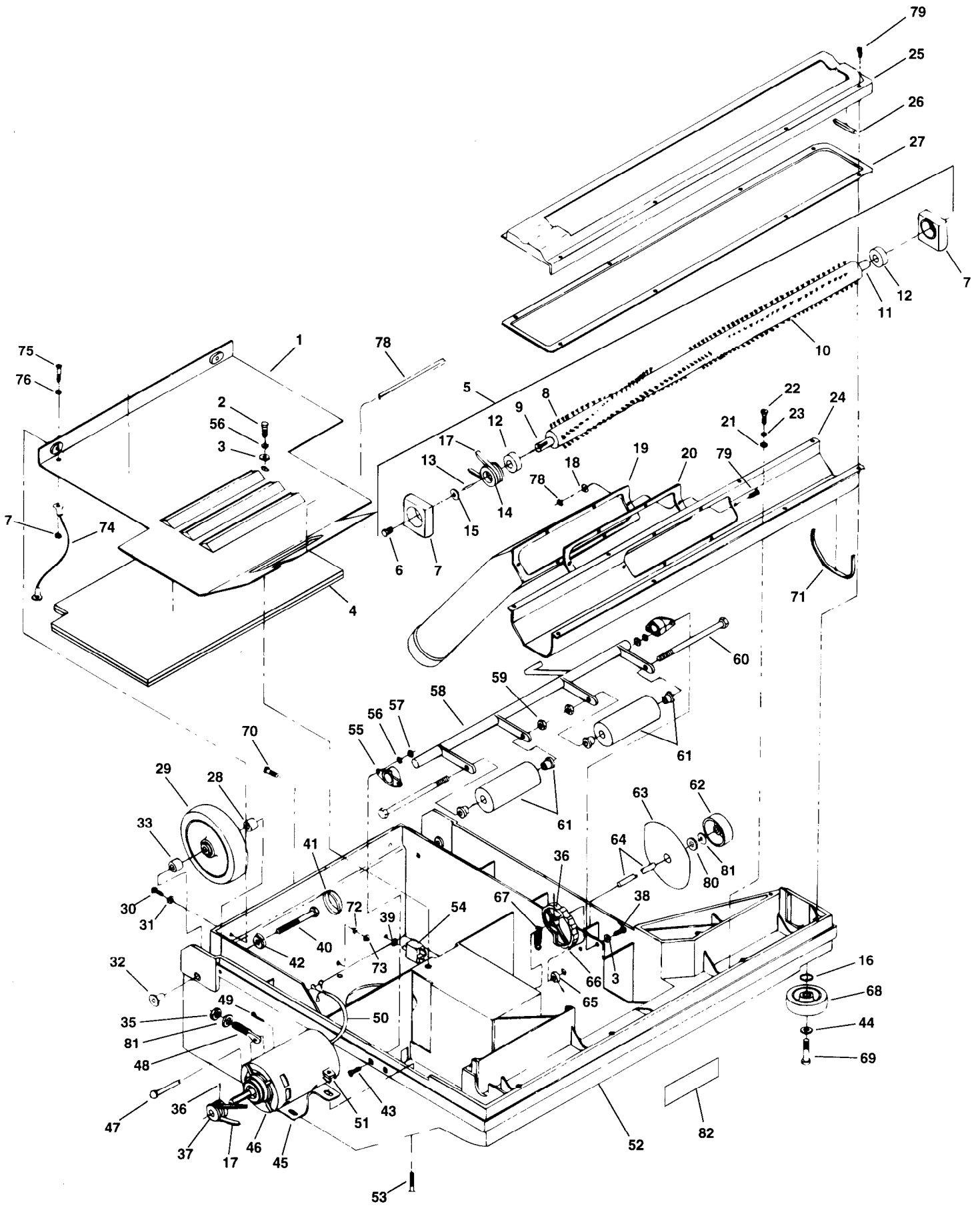
△ = ITEMS INCLUDED IN ASSEMBLY

When ordering parts or requesting service, specify:

1. Model of machine.
2. Serial number of machine.
3. Part number.
4. Part description.

All parts returned to factory must arrive prepaid with a Return Authorization Number. Always include your name, phone number and address.

LOWER HOUSING PARTS



LOWER HOUSING PARTS LIST

ITEM #	DESCRIPTION	PART #	QTY.	ITEM #	DESCRIPTION	PART #	QTY.
1.	PLATE, BOTTOM COVER	039 708 210	1	45.	▼ ASM, BRUSH MOTOR	573090	1
2.	SCREW, M06 X 12MM	200 055 433	1	46.	△ MOTOR	039 708 019	1
3.	WASHER, FLAT 6.4MM	140012	3	47.	△ PIN, CLEVIS	573089	1
4.	SOUND FOAM	039 708 206	1	48.	△ STUD, BELT TENSION	573091	1
5.	▼ ASM, BRUSH	439 708 910	1	49.	△ PIN, COTTER	14183.8	1
6.	△ SCREW, 1/4-20 12.7 MM	069 762 115	1	50.	△ HARNESS, WIRE BASE	039 708 154	1
7.	△ BEARING, MOUNT	039 708 022	2	51.	△ NUT	069 762 001	4
8.	△ ▼ ASM, BRUSH W/ PINS	039 708 135	1	52.	LOWER FRAME, CARCOAL (NOBLES)	101107	1
9.	△ SHAFT STUB, RIGHT	039 708 062	1		LOWER FRAME, BLUE (CASTEX)	101106	1
10.	△ BRUSH (W/O PINS)	039 708 125	1	53.	SCREW, 1/4-20 X 1"	140356	4
11.	△ SHAFT STUB, LEFT	039 708 063	1	54.	CIRCUIT BREAKER, 7 AMP	069 767 136	1
12.	△ BEARING, BRUSH	140123	2	55.	BEARING	039 708 064	2
13.	△ KEY, SQUARE	578416	1	56.	WASHER, 6.1 MM	578728	5
14.	△ PULLEY, BRUSH	578413	1	57.	NUT, M06	579029	4
15.	△ WASHER, 6.4 MM	578 261 000	1	58.	ROLLER WELDMENT	039 708 029	1
16.	O-RING, 9.3 MM	630508	2	59.	NUT, 3/8-16	039 708 223	2
17.	V-BELT	039 708 090	1	60.	SCREW, 3/8-16 X 140MM	039 708 204	2
18.	WASHER, FLAT 4.1 MM	200 301 014	6	61.	KIT, ROLLER REPLACEMENT	190754	1
19.	DEBRIS INLET	039 708 131	1	62.	KNOB, BRUSH ADJUSTMENT	573 077 000	1
20.	GASKET, DEBRIS INLET	039 708 201	1	63.	DECAL, BRUSH ADJUSTMENT	039 708 146	1
21.	WASHER, FLAT 4.3 MM	069 760 097	2	64.	SHAFT, ADJUSTMENT CAM	039 708 039	1
22.	SCREW, M04 X 10 MM	200 630 342	10	65.	COLLAR SHAFT	039 708 045	1
23.	WASHER, LOCK 4.1 MM	069 760 093	2	66.	ADJUSTMENT CAM	039 708 133	1
24.	BRUSH CHAMER	039 708 010	1	67.	SPRING, TENSION	039 708 087	1
25.	SKID	039 708 120	1	68.	WHEEL, RUBBER	630450	1
26.	SKID, SEAL	039 708 230	2	69.	SCREW, M08 X 40 MM	200 055 499	1
27.	SKID, GASKET	039 708 025	1	70.	SCREW, 10-24	039 700 122	1
28.	SPACER, WHEEL	039 708 255	2	71.	GASKET	039 708 200	2
29.	WHEEL, REAR	039 708 026	2	72.	WASHER, 4.8 MM	140031	3
30.	SCREW, 10-24	579143	2	73.	NUT	579134	2
31.	WASHER, FLAT 5.3 MM	069 762 056	2	74.	ASM, WIRE 16 GA. GREEN	573083	1
32.	BUSHING	573079	2	75.	SCREW, M04 X 12 MM	579259	7
33.	SPACER, WHEEL 9.5MM	039 708 254	1	76.	WASHER	140023	1
34.	SPACER, WHEEL 10MM (NOT SHOWN)	039 708 236	1	77.	NUT	200 160 014	7
35.	NUT, LOCK	140515	1	78.	EDGING, PLASTIC BULK	069 764 177 .150	
36.	SCREW, SET M6 X 16 MM	200 254 436	2	79.	WIRE TIE (NOT SHOWN)	130040	5
37.	PULLEY MOTOR	578414	1	80.	WASHER, FELT	140039	1
38.	SCREW, M06 X 16 MM	200 031 436	2	81.	WASHER, PLAIN	140013	2
39.	WASHER, 9.5 MM	140022	1	82.	DECAL, FRONT CV301 (NOBLES)	120340	1
40.	SCREW, 3/8-16 X 63.5MM	039 708 121	2		DECAL, MAGNA TWIN (CASTEX)	120829	1
41.	CAP, PLASTIC 3/8"	150210	2				
42.	WASHER, CAP MOUNT	573081	2				
43.	SCREW, M06 X 20 MM	579201	2				
44.	WASHER	069 760 082	1				

▼ = ASSEMBLY

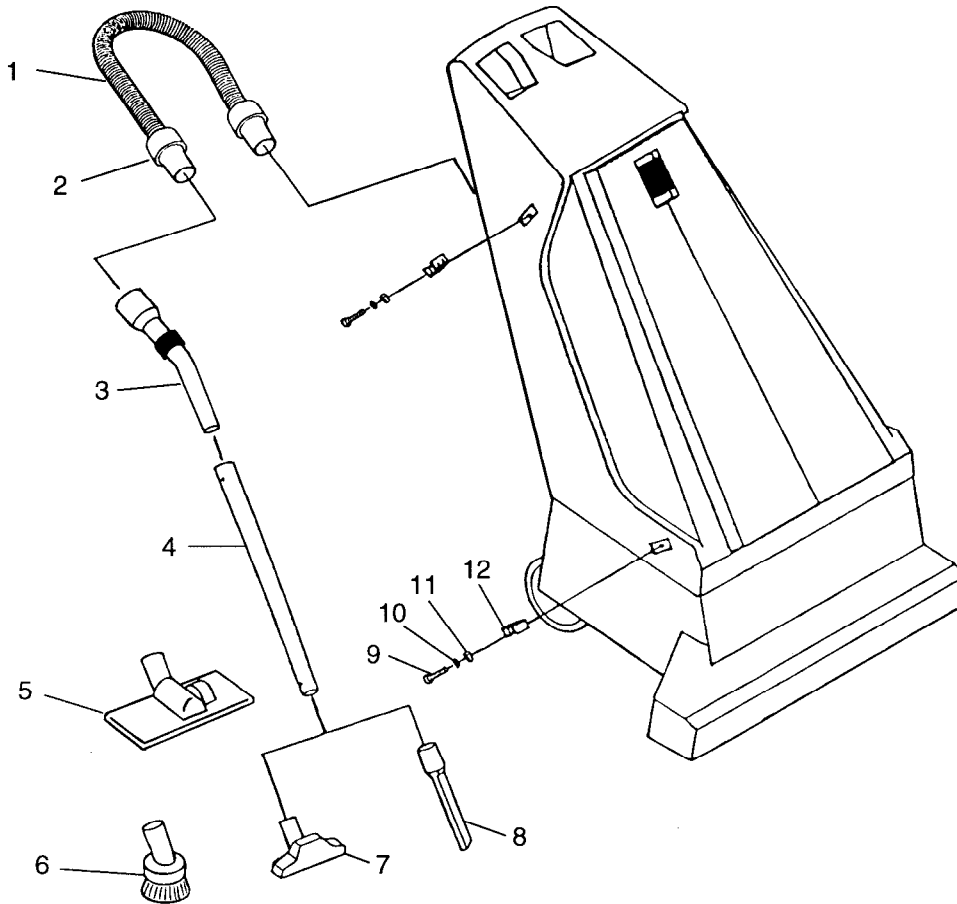
△ = ITEMS INCLUDED IN ASSEMBLY

When ordering parts or requesting service, specify:

1. Model of machine.
2. Serial number of machine.
3. Part number.
4. Part description.

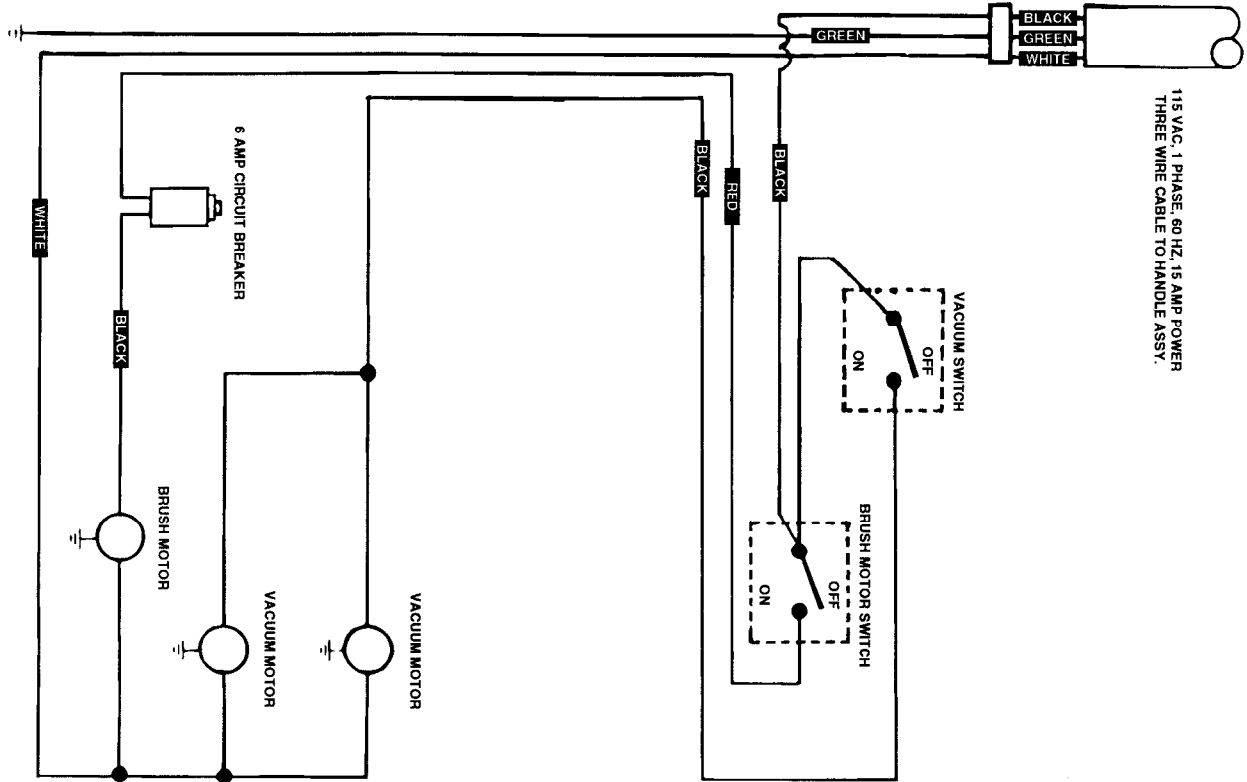
All parts returned to factory must arrive prepaid with a Return Authorization Number. Always include your name, phone number and address.

OPTIONAL WAND AND HOSE KIT (#573070) PARTS LIST



ITEM #	DESCRIPTION	PART #	QTY.	ITEM #	DESCRIPTION	PART #	QTY.
1.	HOSE	160475	1	6.	TOOL, DUST BRUSH	190715	1
2.	CUFF	160471	1	7.	TOOL, UPHOLSTERY BRUSH	190716	1
	KIT, STD ATTACH. (INCLUDES ITEM 3-8)	190907	1	8.	TOOL, CREVICE	190714	1
3.	CHROME HOSE ATTACHMENT	190902	1	9.	SCREW, M04X12MM	579259	2
4.	CHROME TELESCOPING WAND	190903	1	10.	WASHER, LOCK	200351014	2
	TOOL, EXTENSION 18" PLASTIC	190039	1	11.	WASHER, FLAT	578195000	2
5.	TOOL, ATTACHMENT NOZZLE	190717	1	12.	CLIP	573073000	2

WIRING DIAGRAM



TROUBLE SHOOTING GUIDE

PROBLEM	CAUSE	SOLUTION
Neither vacuum nor brush runs.	<ol style="list-style-type: none"> 1. Power cord not plugged in. 2. Damaged power cord. 3. Building circuit breaker or fuse blown. 4. Loose or damaged internal wiring. 	<ol style="list-style-type: none"> 1. Connect to power supply 2. Check continuity. Replace if needed. 3. Reset or replace. 4. Call for service.
Carpet brush does not turn.	<ol style="list-style-type: none"> 1. Machine circuit breaker tripped. 2. Belt broken or out of adjustment. 3. Defective brush switch. 4. Defective brush motor. 	<ol style="list-style-type: none"> 1. Reset breaker. Check for brush obstruction or brush set too low into carpet. 2. Adjust or replace. 3. Replace or call for service. 4. Replace or call for service.
Poor or no vacuum suction.	<ol style="list-style-type: none"> 1. Filter bag full. 2. Secondary vacuum filters dirty. 3. Air flow lever in wrong position. 4. Brush intake area obstructed. 5. Pick up hose or housing plugged. 6. Gasket leak. 	<ol style="list-style-type: none"> 1. Empty bag. 2. Clean and replace 3. Move lever to proper setting. 4. Clean. 5. Clean. 6. Replace gasket if necessary.
Poor pick up on carpet.	<ol style="list-style-type: none"> 1. Brush not adjusted properly. 2. Low suction power. 3. Worn brush. 	<ol style="list-style-type: none"> 1. Reset adjustment. 2. See remedies above. 3. Adjust per instructions.
Vacuum motors do not run.	<ol style="list-style-type: none"> 1. Thermal overloads activated due to plug or obstruction. 2. Vacuum switch defective. 	<ol style="list-style-type: none"> 1. Inspect and clean. 2. Replace or call for service.

CASTEX INCORPORATED

12875 RANSOM STREET
HOLLAND MI 49424

A  COMPANY

1-800-522-7839

616-786-2330

FAX: 1-800-678-4240

CUSTOMER SERVICE: 1-800-365-6625

