

NOBLES®

Integrity 2000™

Dust Control Burnisher

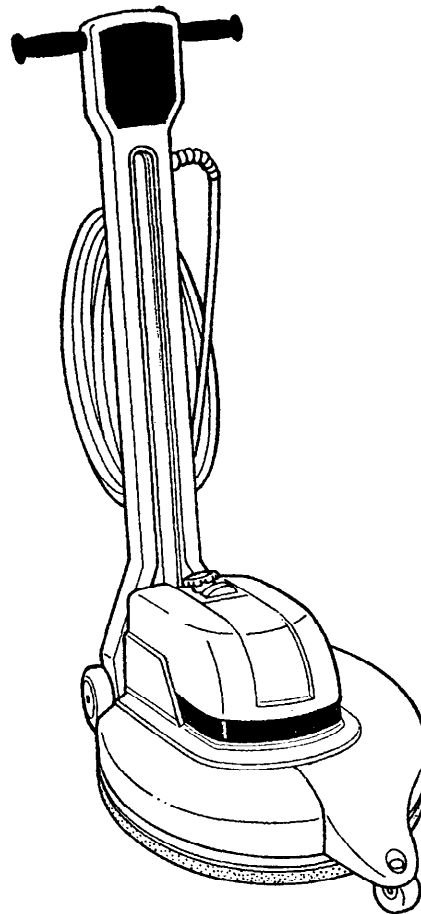
MODEL: INT2000DC
U.S. PATENT NO.: D.345,035

**Operator Manual
& Parts List**

Record Serial No. Here: _____



PDF Version of manual by:
Michigan Company Inc.
2011 N. High St.
Lansing, Mich. 48906
(517) 484-9312
<http://www.Michco.com>



NOBLES INDUSTRIES
12875 RANSOM STREET
HOLLAND MI 49424

A **TENNANT** COMPANY

1-800-739-9359
616-786-2330
FAX: 1-800-678-4240
CUSTOMER SERVICE: 1-800-365-6625

600222
Rev. 01 (07-96)

OPERATION

This manual is furnished with each new NOBLES Dust Control Burnisher Model . It provides necessary operation and machine care instructions. Read this manual completely and understand the machine before operating or servicing it.

This machine will provide excellent service. However, the best results will be obtained at minimum costs if:

- The machine is operated with reasonable care.
- The machine is maintained regularly - per the machine care instructions provided.
- The machine is maintained with NOBLES supplied or equivalent parts.

MACHINE DATE

Please fill out at time of installation for future reference.

Model No.- _____ Install. Date - / /
Serial No.- _____

TABLE OF CONTENTS

SAFETY PRECAUTIONS	2
MACHINE COMPONENTS	3
MACHINE SET-UP	3
MACHINE OPERATION	4
MACHINE CARE	5
TROUBLE SHOOTING/SPECIFICATIONS	6
ELECTRICAL DIAGRAM	7
PARTS LIST	
UPPER UNIT	8
LOWER UNIT	10

SAFETY PRECAUTIONS

This machine is suited to burnish floors in a indoor environment and is not constructed for any other use. Use only recommended pads and cleaning solutions. The following precautions are used throughout this manual as indicated in their description:

⚠ WARNING: To warn of hazards or unsafe practices which could result in severe personal injury or death.

FOR SAFETY: To identify actions which must be followed for safe operation of equipment.

FOR SAFETY:

The following information signals potentially dangerous conditions to the operator or equipment:

- 1. Do Not Operate Machine:**
 - Unless Trained And Authorized.
 - Unless Operator Manual Is Read And Understood.
 - If It Is Not In Proper Operating Condition.
- 2. Before Operating Machine:**
 - Remove Loose Objects On Floor. Loose Objects May Become Dangerous Projectiles If Struck By Revolving Pad.
 - Check Area For Flammable Liquids Or If Gases Are Present.
 - Check Cable And Plug For Damage.
 - Check to ensure dust bag is installed.
- 3. When Operating Machine:**
 - Keep Hands And Feet Away From Revolving Pad.
 - Do Not Run Over Power Supply Cord, A Hazard May Occur.
 - Do Not Wear Open-Toed shoes, Sandals Or Go Bare Feet.
 - Keep Machine Moving To Prevent Damage To Finish Or Floor.
 - Always Work Within Cable Length To Avoid Cable Stress And Damage.
 - Do Not Release Twist Grips At Any Time. When Stopping Machine Wait To Release Twist Grips Until Pad Comes To A Complete Stop.
- 4. Before Leaving or Servicing Machine:**
 - Turn Off Machine And Unplug Power Cord From Outlet.

⚠ WARNING: Hazardous Voltage. Shock Or Electrocutation Can Result. Always Unplug Power Cord Before Working On Machine.

⚠ WARNING: Do Not Store Outdoors And Avoid Getting Wet.

⚠ WARNING: The Use of Supplies Other Than Those Recommended by Manufacturer May Cause Damage.

MACHINE COMPONENTS

(Figure 1)

1. Twist Grips
2. Adjustable Handle Release Lever
3. Safety Lock Button
4. Circuit Breaker Button
5. Power Cord Hook
6. Cord Grip
7. 75' (23M) Power Cord
8. Motor Cover
9. Rear Wheels
10. Pivoting Caster
11. Flexible Pad Driver
12. Burnish Pad
13. Pad Pressure Meter
14. Pad Pressure Adjustment Knob
15. Dust Bag Compartment Cover

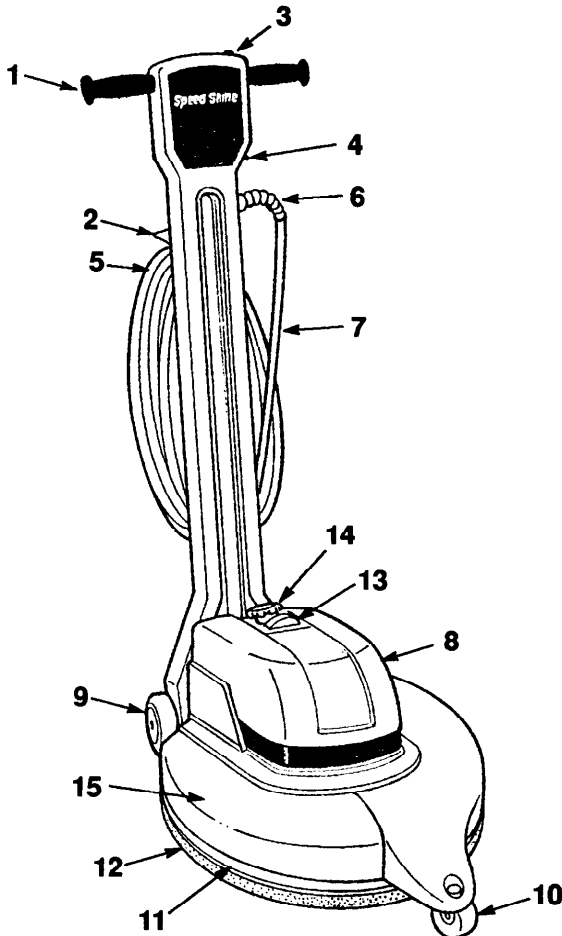


FIG. 1

MACHINE SET-UP

1. Carefully check carton for signs of damage. Report damages at once to carrier. Check whether cord plug installed corresponds to your wall outlet.
2. Your machine is shipped fully assembled. The dust bag is factory installed and pads are sold separately. Select and install recommended pad that best meets your needs.

IMPORTANT: Proper pad selection is important for best results. See your authorized distributor to assist you in choosing the right pad for your specific cleaning needs.

3. To install pad: Tilt machine back on wheels until machine is resting on handle.
4. Remove yellow centerlock by turning counterclockwise.
5. Place selected pad on flexible pad driver and replace centerlock. Be certain centerlock is tight. (Figure. 2)

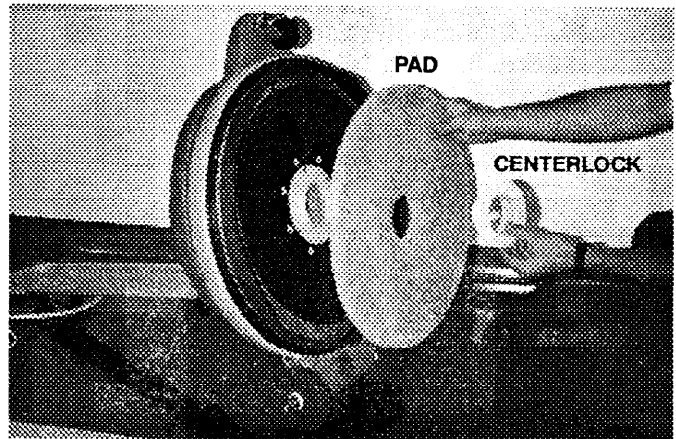


FIG. 2

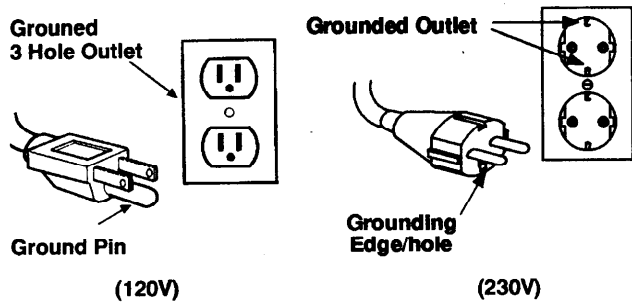
6. After pad is installed return machine to upright position.
7. Check to ensure dust bag is installed. (Figure 3)



FIG. 3

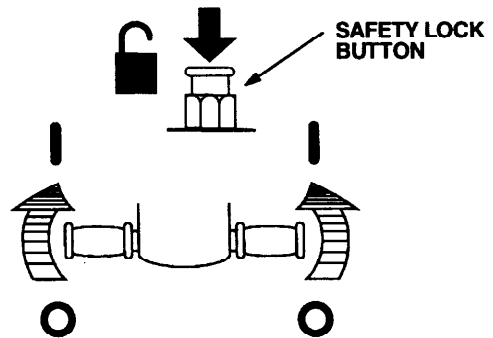
OPERATION

8. Plug power supply cord to a grounded wall outlet. (Figure 4)



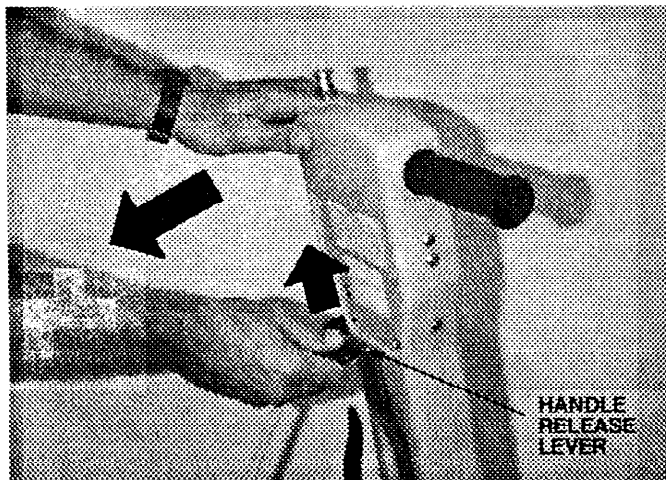
⚠ WARNING: Machine MUST be earthed.

3. Start machine by pressing safety lock button and turning twist grips forward. Release thumb from safety lock button once machine starts. (Figure 6)



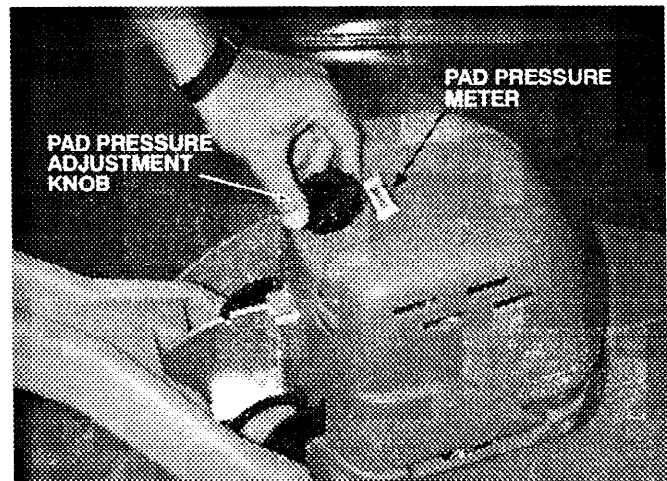
MACHINE OPERATION

1. Read and understand safety information before operating. (See page 2)
2. Adjust handle to a comfortable operating height: Lift handle release lever and lower handle, release lever to lock handle to any of the six settings. (Figure 5)



⚠ WARNING: Take extreme caution when beginning to operate machine. Machine will jolt quite aggressively once twist grips are turned.

4. Once you begin operating machine, view pad pressure meter and adjust pad pressure adjustment knob if necessary. Operate machine with meter needle in the green zone ONLY. Turn knob counterclockwise to increase pad pressure and clockwise to decrease. (Figure 7)



⚠ CAUTION: To prevent the possibility of motor overload and causing circuit breaker to trip. Periodically check pad pressure meter and pad for excessive soil build-up. Turn pad over, clean or replace when necessary. If Circuit Breaker should trip, unplug power cord. Wait at least 15 seconds before resetting breaker switch. While waiting determine reason why circuit breaker tripped. (Figure 8)



FIG. 8

5. Begin burnishing by pushing machine forward or using a "W" pattern motion.

⚠ WARNING: To avoid serious personal injury, always unplug machine when removing pads.

6. To stop machine: Rotate twist grips backward and safety lock button will engage.

⚠ WARNING: To avoid serious personal injury, always wait until pad comes to a complete stop before letting go of twist grips.

7. When job is completed, remove pad from pad driver to prevent pad damage.

MACHINE CARE

⚠ WARNING: To avoid serious personal injury, always unplug machine before any type of machine care is performed.

1. Remove pad after each use. This prevents damage to pad.
2. After each use, empty dust bag. Slide off bag clip at bottom of bag and empty. (Figure 9)

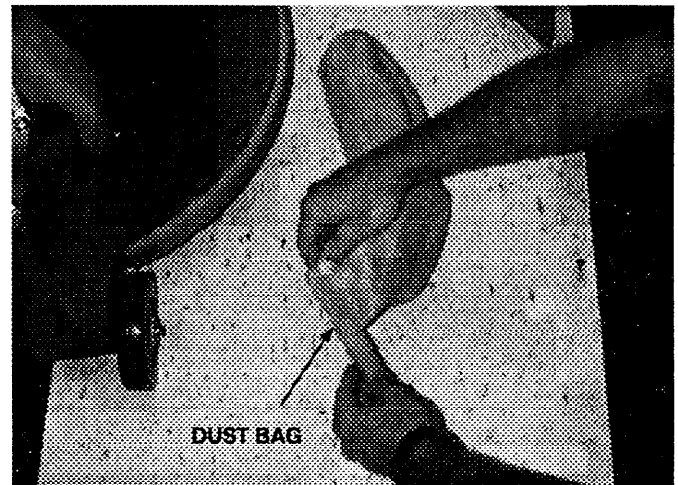


FIG. 9

3. Clean machine base of floor finish after each use.

4. Always wash pads after each use. Never use soiled pads or allow pads to become oversoiled before changing.

5. Always wind power cord around cord hooks rather than loosely looped over handle. Wipe cord with damp cloth after each use. Also, check power cord for damage, if worn or damaged, replace immediately.

6. Periodically check that all bolts and nuts are tight.

7. Every 250 hours of operation check motor's carbon brushes. Remove motor cover to access carbon brushes. Replace brushes if worn to a length of 3/8" (9.5mm) or less.

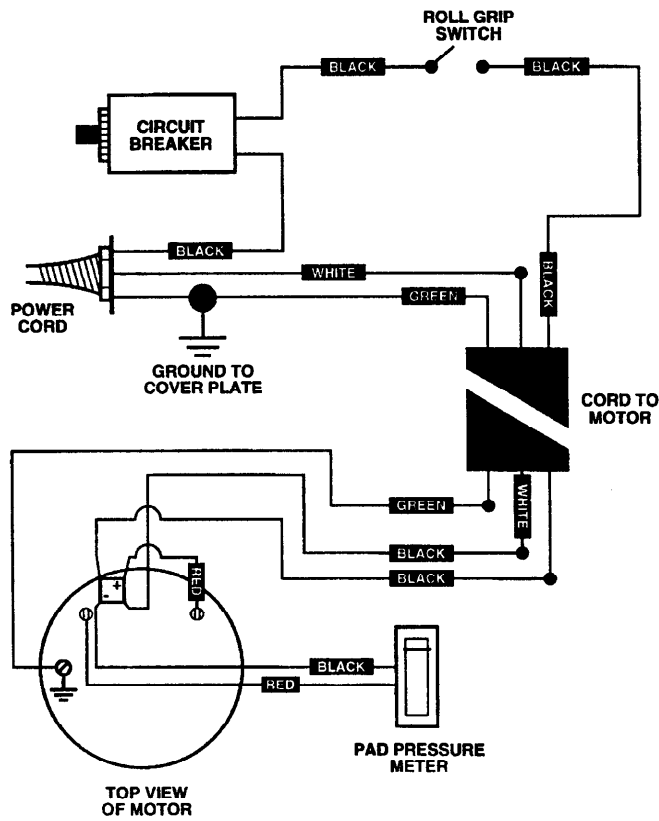
TROUBLE SHOOTING

PROBLEM	CAUSE	SOLUTION
Machine does not operate.	Machine unplugged.	Plug machine in.
	Machine circuit breaker tripped.	Reset breaker on machine.
	Building circuit breaker tripped.	Reset breaker and change to different circuit.
	Faulty power cord.	Contact Nobles Service Center.
	Faulty wiring.	Contact Nobles Service Center.
	Faulty twist grip switch.	Contact Nobles Service Center.
	Faulty rectifier.	Contact Nobles Service Center.
Machine circuit breaker trips continuously.	Too much pad pressure.	Adjust pad pressure knob.
	Soiled Pad.	Replace Pad.
	Improper pad for application	Change to proper pad.
	Faulty circuit breaker.	Contact Nobles Service Center.
	Worn motor brushes.	Contact Nobles Service Center.

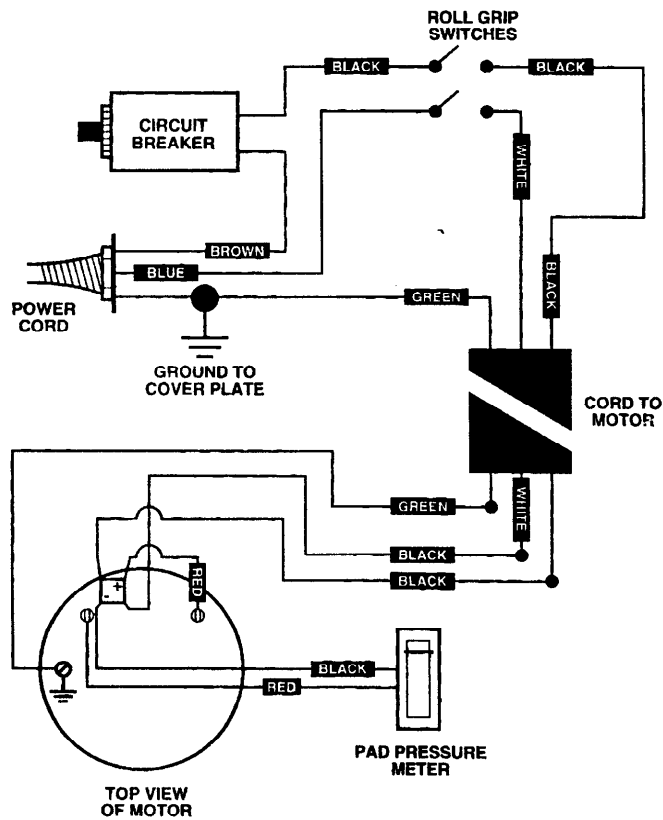
SPECIFICATIONS

VOLT	120V	230V
WIDTH	24"/61cm	24"/61cm
HEIGHT	50"/127cm	50"/127cm
WEIGHT	70 lbs./32Kg	70 lbs./32Kg
DRIVE MOTOR	120V, 1.5 hp 12AMP 60Hz	230V, 1.1kW, 7AMP, 50Hz
PAD/BRUSH SPEED	2000 RPM	2000 RPM
POWER CORD LENGTH	75 '/23M	75 '/23M
BRUSH PAD DIA.	20"/51cm	20"/51cm
DECIBEL RATING AT OPERATOR'S EAR, INDOORS ON TILE FLOOR	<70dB(A)	<70dB(A)

120V

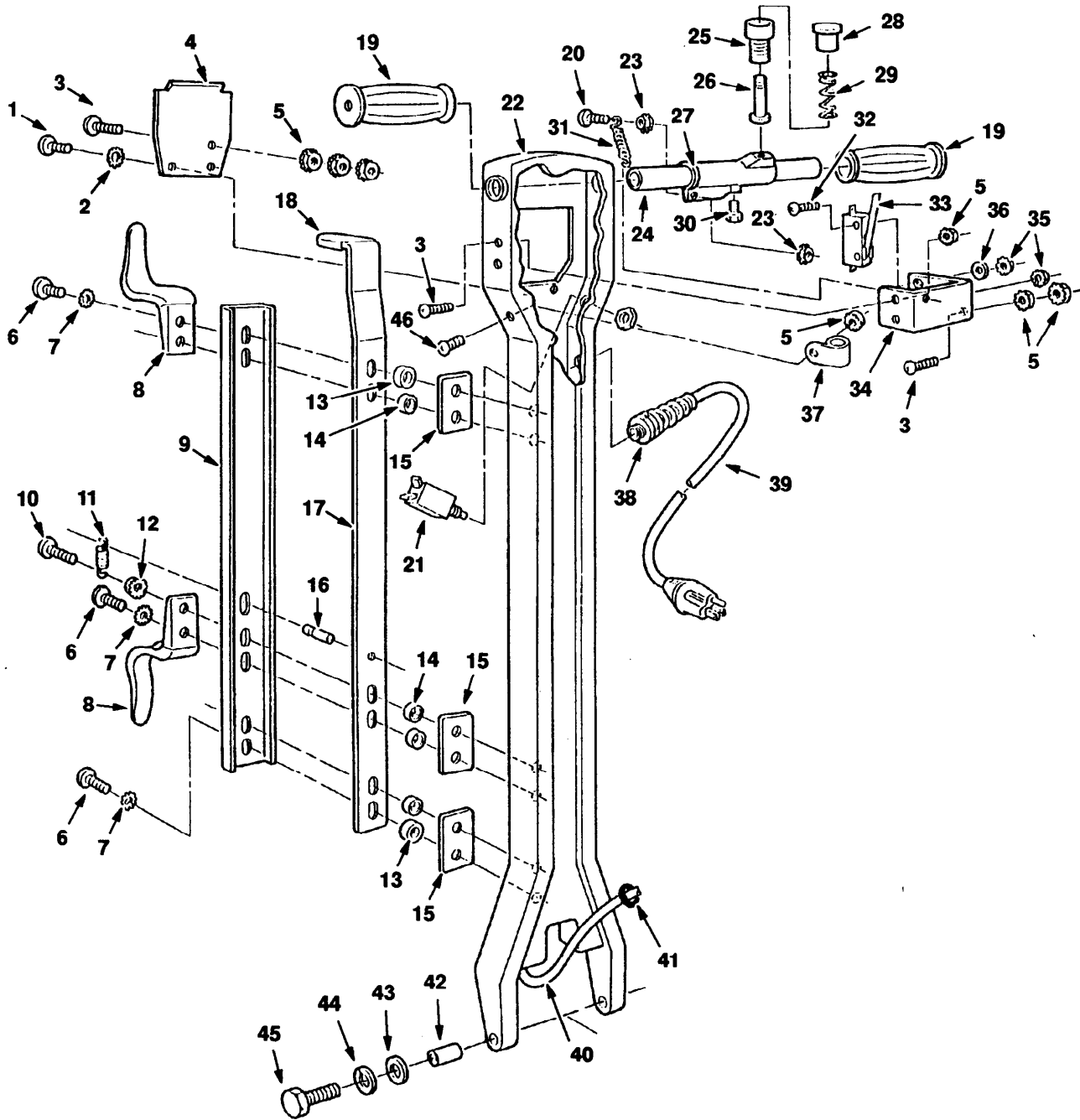


230V



PARTS LIST

UPPER UNIT



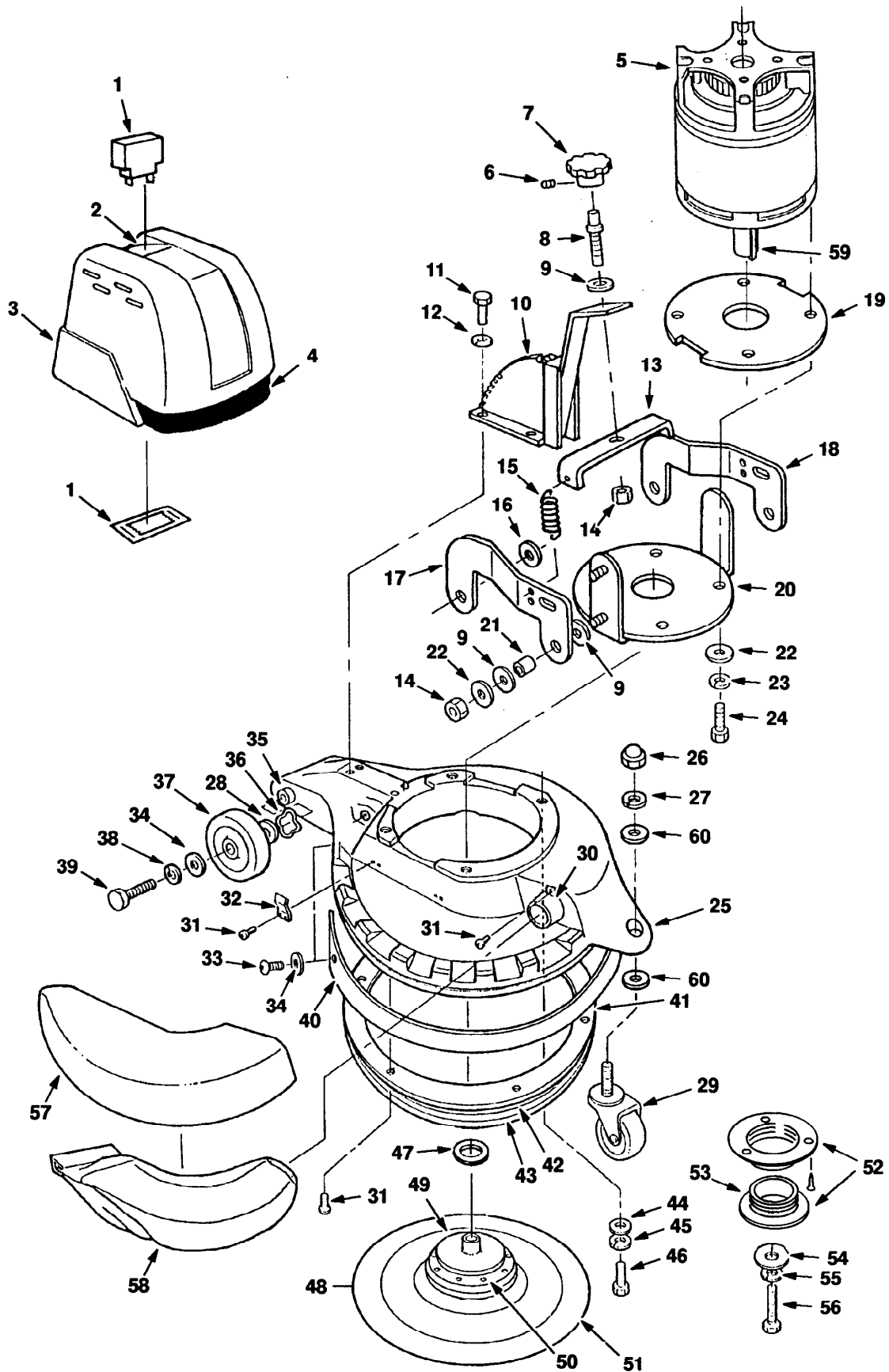
PARTS LIST

UPPER UNIT

REF	PART #	DESCRIPTION	QTY
1	140890	SCREW, 10-24x.50	2
2	140018	WASHER, 10-24x.5	2
3	140823	SCREW, 10-24x.625	4
4	230013.NLG	COVER, HANDLE	1
5	140519	NUT, 10-24	8
6	140864	SCREW, 1/4-20x.75	5
7	140052	WASHER, LOCK .25	5
8	230427	HOOK, CORD	2
9	230859	CHANNEL, LATCH	1
10	140881	SCREW, 1/4-20x1	1
11	140402	SPRING, LATCH	1
12	140524	NUT, 1/4-20	1
13	140146	BUSHING, .5 OD	2
14	140147	BUSHING, .44 OD	4
15	230852	PLATE, BACKING	3
16	140604	PIN, .25x.75	1
17	230860	HANDLE, LATCH	1
18	200821	GRIP	1
19	200823	GRIP, HANDLE	2
20	6010.16	SCREW, 8-32X1	1
21	20796	BREAKER, 17 AMP (120V)	1
	130670	BREAKER, 12 AMP (230V)	1
22	100383	HANDLE	1
23	28990	NUT, LOCK 8-32	2
24	230853	TUBE, HANDLE	1
25	230857	SOCKET, LOCK	1
26	230856	PIN, LOCK	1
27	100355	SLEEVE, LOCK	1
28	230855	BUTTON, LOCK	1
29	140401	SPRING, LOCK	1
30	140259	SCREW, 1/4-20x.75	1
31	600987	SPRING	1
32	140829	SCREW, 6-32x1 (120V)	2
	140830	SCREW, 6-32x1.75 (220V)	2
33	28657	SWITCH	1
34	230854	BRACKET, SWITCH	1
35	140539	NUT, 6-32	2
36	140032	WASHER, FLAT	1
37	140324	CLAMP	1
38	130167	GRIP, CORD	1
39	130214	CORD, 14/3 X 75' (120V)	1
	600396	CORD, 3x1.5MMx23M (230V)	1
40	130204	CORD, 14/3	1
41	130141	BUSHING	1
42	600192	BUSHING	2
43	3148.816	WASHER, FLAT	2
44	140024	WASHER, LOCK	2
45	140234	SCREW, .5-13X2.5	2
46	140900	SCREW, 10-24X.75	1
DECALS - (NOT SHOWN)			
	120676	DECAL, OPERATION	1
	600483	DECAL, "INTEGRITY 2000 DUST CONTROL"	1
	600539	DECAL, "SPEEDSHINE 2000DC"	1
	120619	DECAL, "WARNING"	1

PARTS LIST

LOWER UNIT



PARTS LIST

LOWER UNIT

REF	PART #	DESCRIPTION	QTY
1	603766	GAUGE, SENSOR 120V	1
	130029	GAUGE, SENSOR 230V	1
2	600202	DECAL, PRESSURE ADJT.	1
3	600203	COVER, MOTOR	1
4	120582	DECAL, RECESS	1
5	130461	MOTOR, 120V	1
	22117	CARBON BRUSH (For 130461)	4
	600484	RECTIFIER	1
	600475	MOTOR, 230V	1
	190311	CARBON BRUSH (For 600475)	4
	600484	RECTIFIER	1
6	140894	SCREW, SET	1
7	240202	KNOB	1
8	600193	STUD, ADJUST	1
9	630447	WASHER	9
10	600199	PLATE, LATCH	1
11	140226	SCREW, 5/16-18X5/8	4
12	140015	WASHER, LOCK	4
13	600194	BRACKET, SPRING	1
14	600200	NUT, NYLON LOCK, JAM 3/8-16	5
15	600201	SPRING	2
16	600190	WASHER, RUBBER	2
17	600197	ARM, LIFT RH	1
18	600196	ARM, LIFT LH	1
19	600195	SEAL, MOTOR	1
20	600198	BRACKET, MOTOR	1
21	600191	SPACER,	4
22	140013	WASHER, FLAT	8
23	140017	WASHER, LOCK	4
24	140201	SCREW, 3/8-16X3/4	4
25	101806	BASE, HOUSING	1
26	3058	NUT	1
27	140024	WASHER, LOCK	1
28	3148.816	WASHER, FLAT	2
29	600189	CASTER	1
30	230911	TUBE, VACUUM	1
31	140340	SCREW, #10X5/8	17
32	230910	BRACKET, BAG COVER	2
33	140824	SCREW, 1/4-20X5/8	2
34	140003	WASHER, 1/4	4
35	230444	PIVOT, SHAFT HANDLE	1
36	4252	WASHER, COMPRESSION	2
37	103067	WHEEL	2
38	140016	WASHER, LOCK	2
39	140553	SCREW, 1/4-20X1/2	2
40	100090	BUMPER	5.4'
41	230888	RING, DUST SHIELD	1
42	230912	STRAP, DUST SHIELD	6.2'
	230913	SCRU-SEAL RACK	1
43	230889	SHIELD, DUST CLOTH	1
44	140000	WASHER, FLAT 1/4	4
45	140016	WASHER, LOCK	4
46	600631	SCREW, 1/4-20X1-1/4	4
47	069760023	WASHER, FLAT	1
48	27073	▽ASM., DRIVER, PAD	1
49	27900	▲HUB, PAD DRIVER	1
50	190177	▲SCREW & CAPS (Pack of 8)	1
51	27071	▲DISC, FLEXIBLE	1
52	25707	▲▽ASM., CENTERLOCK	1
53	100101	▲RING, PAD RETAINER	1
54	25732	WASHER, FLAT	1
55	140015	WASHER, LOCK 5/16	6
56	140221	SCREW, 5/16-18X1-1/4	1
57	101263	COVER, BAG	1
58	900210	BAG, CLOTH	1
59	140628	KEY, MOTOR 3/16X1	1
60	140045	WASHER, FLAT	2