

Castex®

Explorer 1500

CARPET EXTRACTOR

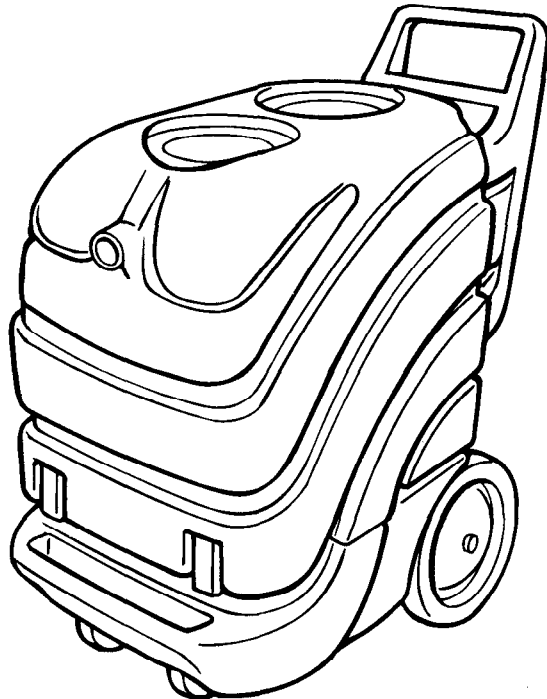
MODEL: 601346

Operator & Parts Manual

Record Serial No. Here: _____



PDF Version of Manual by:
Michigan Company Inc.
2011 N. High St.
Lansing, Mich. 48906
(517) 484-9312
<http://www.Michco.Com>
Email: Shop@Michco.Com
(c) 1998 by Michco & Others.



CASTEX INCORPORATED
12875 RANSOM STREET
HOLLAND MI 49424

A  COMPANY

1-800-522-7839
616-786-2330
FAX: 1-800-678-4240
CUSTOMER SERVICE: 1-800-365-6625

602599

Rev. 01 (10-96)

⚠ ATTENTION: All operators and maintenance personnel **MUST** read and understand this manual before operating or maintaining this equipment. For assistance contact your local service center.

MACHINE SET UP

1. Unscrew and remove front clear lid. Fill clean water bladder with 15 gallons of hot water, (140°F, 60°C max.). Add recommended cleaning agent to proper dilution ratio. (Figure 1)

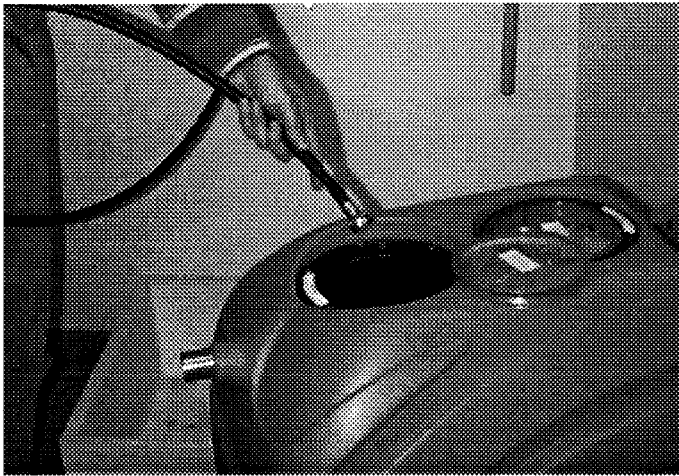


FIG. 1

⚠ WARNING: Use only nonflammable commercial chemicals intended for machine application.

NOTE: After filling clean water bladder, **REPLACE CLEAR LID AND TIGHTEN SECURELY.** Suction in recovery tank will overexpand clean water bladder if cover is not sealed.

⚠ CAUTION: Do not mix powdered chemicals in extractor's clean water bladder. Mix powdered chemicals thoroughly in a bucket before pouring into machine. Powders are unlikely to dissolve completely and can clog solution pump system.

⚠ CAUTION: If using a bucket to fill and empty machine use **separate buckets.** Always use a clean bucket to fill machine. Dirty water in clean water bladder will clog solution pump system.

2. Connect 25' extension power cord to machine and plug into 120V wall outlet. (Figure 2)

⚠ WARNING: Plug into 120V grounded outlet only. Do not use an adapter or remove ground pin on plug. Do not use if cord is damaged. (Figure 2)

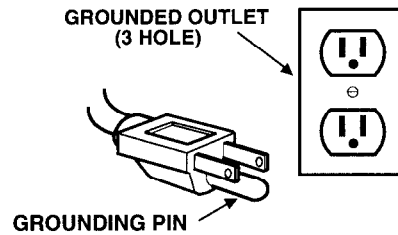


Fig. 2

3. Prime solution pump:

- a. Connect bleeder hose onto solution quick coupler located at front of extractor.
- b. Submerge other end of bleeder hose into a bucket.
- c. Turn "PUMP" switch on and let pump run for a few minutes then open rear pressure adjust knob completely (Figure 3).
- e. Let pump run until air bubbles disappear in solution.
- f. Close pressure adjustment knob completely and allow pump to run for a few more seconds.
- g. Remove bleeder hose from machine. Pressure gauge at rear should read 200-220psi with pump properly primed.

NOTE: Whenever extractor runs out of solution while operating, you must always prime pump before operating.

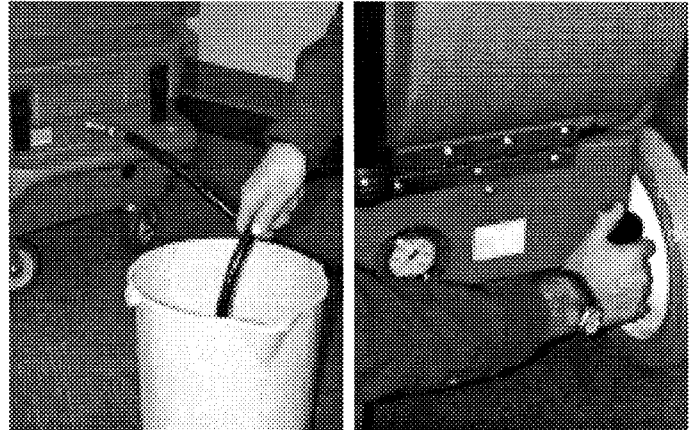


Fig. 3

4. Attach vacuum and solution hose to hose connectors at front of machine then to floor or hand tool. (Figure 4)

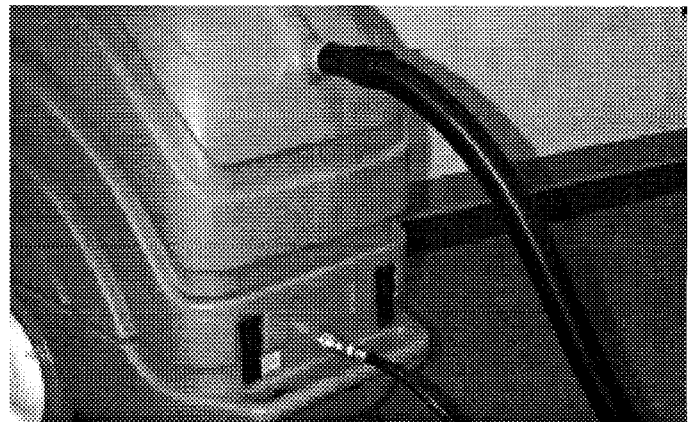


Fig. 4

OPERATING FLOOR TOOL

FOR SAFETY:

- Do not operate where explosive vapors or dust are present in the air.
- Do not pickup flammable liquids.
- Disconnect power if machine is left unattended.

NOTE: Vacuum carpet before cleaning.

1. Activate "VACUUM" and "PUMP" switches.
2. Place floor tool so bottom of stainless steel shoes are parallel to floor. Squeeze trigger and apply downward pressure on floor tool head and slowly pull tool backwards using both hands. Release trigger 6 inches from end of stroke. (Figure 5)



Fig. 5

3. Push floor tool forward over same path with trigger released when returning for next stroke. Continue this pull and push method with a slight overlap of each stroke.

NOTE: For heavily soiled areas, repeat stroke or change angle of stroke.

CAUTION: Do not allow water or foam to enter vacuum screen. Ball float will not stop foam intake and vacuum motor damage will result (*not covered by warranty*). If foam develops, remove rear clear lid and pour 1 oz. of anti-foam solution into recovery tank.

4. When finished cleaning, turn off switches and drain recovery tank. (See **DRAINING RECOVERY TANK**)
5. Disconnect solution and vacuum hoses from machine and neatly coil hoses for storing.

WARNING: Relieve water pressure from tool before disconnecting hose. Squeeze trigger for five seconds after turning off switches.

OPERATING HAND TOOL:

FOR SAFETY:

- Do not operate where explosive vapors or dust are present in the air.
- Do not pickup flammable liquids.
- Disconnect power if machine is left unattended.

NOTE: This machine cleans most synthetic upholstery very well. Fabrics like Herculon and synthetic velvets will clean with excellent results. Extraction is not recommended for most cottons, silks, wools or natural fiber velvets. Check cleaning instructions sewn in furniture by manufacturer for further instructions. Extra caution should be taken with furniture that has been reupholstered. Any material under new upholstery may bleed and discolor new fabric.

NOTE: Vacuum upholstery before cleaning.

1. **TEST FABRIC FOR COLORFASTNESS:** Pour a small amount of cleaning solution on a white cloth. Hold damp portion of cloth against an area of upholstery which is hidden from view. Hold it there for 60 seconds. If no color transfers to cloth, it should be safe to clean. However, always use your best judgement.
2. Activate "VACUUM" and "PUMP" switches.
3. Adjust pressure valve knob to read 30 psi on pressure gauge. (Figure 6)

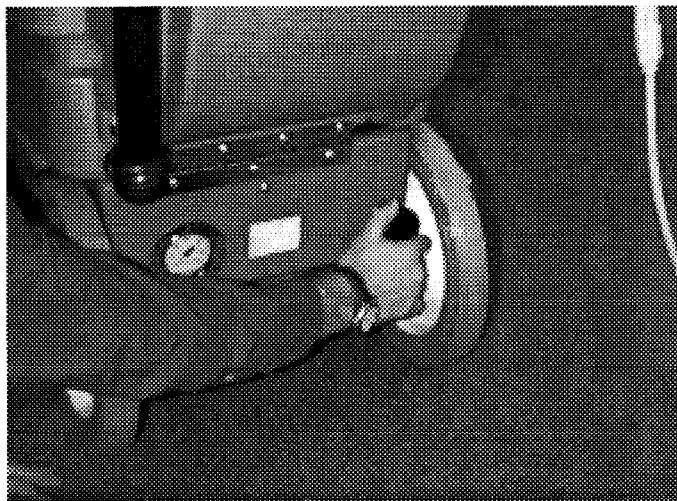


Fig. 6

4. Begin cleaning by squeezing hand tool trigger and pulling tool backwards. (Figure 7)

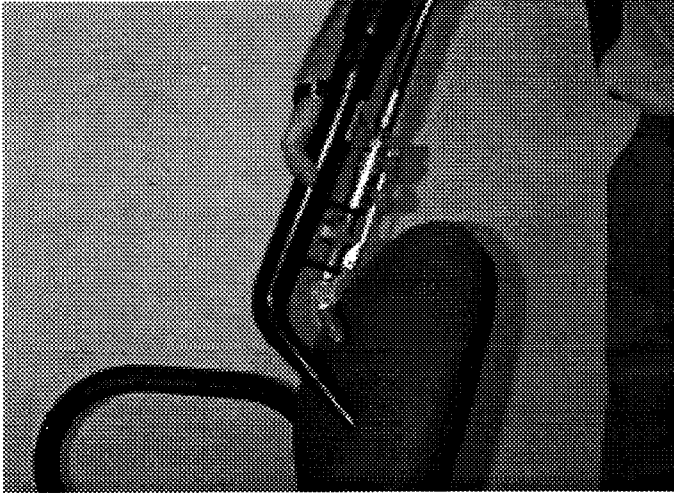


Fig. 7

NOTE: Be careful not to over wet upholstery. Overlap your strokes to avoid streaking. Go over clean areas again using only vacuum to get fabric as dry as possible.

5. When finished cleaning, drain recovery tank and rinse tank thoroughly. (See **DRAINING RECOVERY TANK**)
6. Disconnect solution and vacuum hoses from machine and neatly coil hoses for storing.

WARNING: Relieve water pressure from tool before disconnecting hose. Squeeze trigger for five seconds after turning off switches.

DRAINING RECOVERY TANK

NOTE: When clean water bladder is empty, recovery tank must be emptied.

WARNING: Disconnect power cord before draining recovery tank.

1. Turn all switches off.
2. Remove drain hose from holder, position hose over floor drain and twist off knob to drain. (Figure 8)

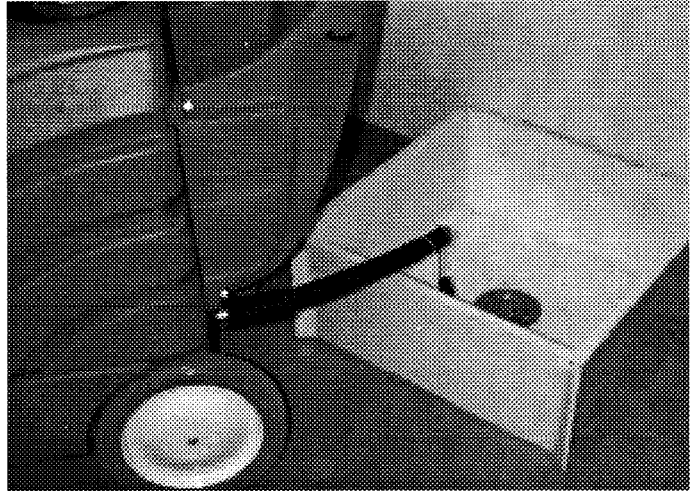


Fig. 8

CAUTION: If using a bucket to drain machine, do not use same bucket for filling clean water bladder!

3. Replace knob tightly before cleaning again.
4. After final draining, remove rear clear lid and rinse both tank and shut-off float screen thoroughly to prevent odor buildup. (Figure 11)

DRAINING SOLUTION TANK

1. To drain remaining solution from solution tank. Disconnect solution hose and attach bleeder hose (bleeder hose supplied with machine).
2. Activate "PUMP" switch. Pump solution into a empty bucket. (Figure 9)

WARNING: Before disconnecting solution hose and replacing with bleeder hose, relieve water pressure from tool before disconnecting hose. Squeeze trigger for five seconds after turning off switches.

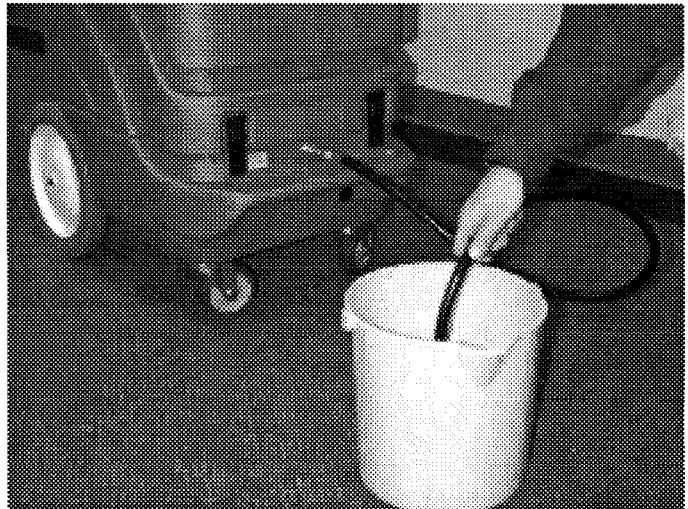


Fig. 9

3. Rinse solution tank with clean water to prevent odor buildup. Run vacuum motor for 30 seconds to discharge any moisture. Store extractor with covers off to promote air circulation.

MAINTENANCE:

⚠ WARNING To avoid serious personal injury: Disconnect power before servicing. Repairs must be performed by authorized personnel.

To keep machine in good working condition, simply follow machines daily, weekly and monthly maintenance procedures.

For ease of servicing, machine tank is hinged to pivot away from chassis to allow access to inner components. To open extractor for servicing, follow these steps:

- a. Unplug extractor.
- b. Unlatch front two latches.
- c. Lift tank upward, away from chassis. (Figure 10)

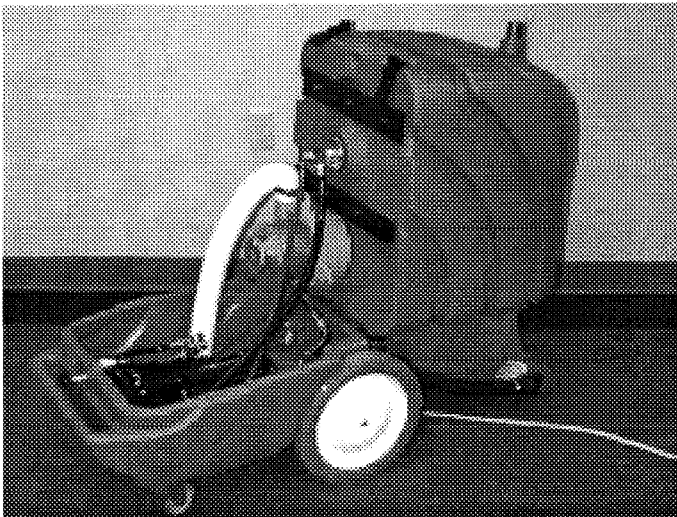


Fig. 10

DAILY MAINTENANCE:

1. Clean machine with a non-abrasive, nonsolvent cleaner.
2. Rinse tanks out thoroughly.
3. Remove any lint buildup from shut-off float screen. (Figure 11)



Fig. 11

4. Remove and rinse bladder tank screen.
5. Check power cord for damage, replace if necessary. Coil cord neatly after each use.
6. Remove any lodged debris from floor tool. (Use a coat hanger).
7. Check spray pattern for clogged spray tips.

WEEKLY MAINTENANCE:

1. Remove and soak spray tips in a *tannin* solution.

NOTE: Do not use pins, paper clips, etc, to unplug spray tips. This will damage spray tips.

2. **Flush pump system:** Use a *tannin* solution to dissolve normal alkaline chemical buildup. Follow steps below:
 - a. Mix two cups (16 oz.) of *tannin* solution in clean water bladder with two gallons of hot water (140°F, 60°C maximum).
 - b. Place a bucket under spray jets to catch spray.
 - c. Turn on "PUMP" switch.
 - d. Squeeze trigger on tool for 30 seconds.
 - e. Allow solution to remain in system for up to 6 hours in above freezing temperatures.
 - f. Later, spray out *tannin* solution into a drain. Then run three gallons of clean water through system to flush out impurities.
3. Check Floor tool for loose shoes. If loose, tap with rubber mallet.
4. Inspect vacuum hose for holes and loose cuffs.

5. **Grease pump:** Solution pump must be greased *every 40 hours of operation or monthly*, whichever comes first. Refer to hour meter located below handle of machine to help you determine when greasing is necessary. (*Each new machine is supplied with a grease gun.*) **Grease Gun Part No. 190022**

- a. To grease pump, release latches on front of machine and lift tank to access pump.
- b. Remove safety cover (item # 4 page 10), by pinching tabs and pulling straight off. You will also need to remove black 1" plug (item #75, page 8) from front of chassis.
- c. Insert grease gun through plug hole (front of chassis) and onto grease fitting, pump plunger at most 1 to 2 times. Gun only pumps grease at last 3/4" of plunger travel. Be sure to push plunger all the way down! Do this slowly to allow grease to enter bearing. (Figure 15)

⚠ WARNING: Over greasing pump will damage seals.

⚠ CAUTION: Do not use an air-powered or hand lever grease gun, they will damage pump.

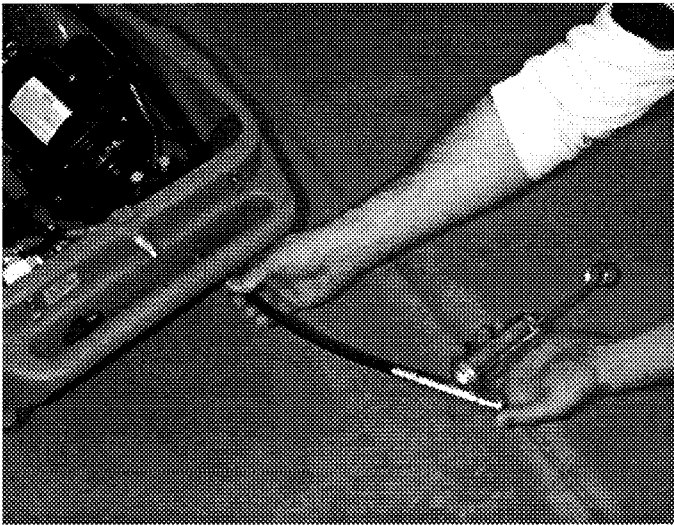


Fig. 15

- d. With a screwdriver, apply a generous dab of grease to outer diameter of cam bearing at top and bottom where bearing contacts connecting rod.
- e. Replace grease cover and black 1" plug
- f. Check pump periodically and scrape out (**do not wash out**) any excess grease from pump cavity.

MONTHLY MAINTENANCE

- 1. Inspect cord grip for damage. Replace if damaged. Neatly coil cord after each use.
- 2. Inspect tank for cracks.
- 3. Lubricate casters with a water resistance grease.

EVERY 250 HOURS OF OPERATION

Check vacuum motor for carbon brush wear. Replace brushes when worn to a length of 3/8" or less.

STORING MACHINE

Store extractor with clear lids off to promote air circulation.

⚠ WARNING: DO NOT ALLOW MACHINE TO FREEZE WITH WATER IN PUMP SYSTEM. This can crack internal parts and cause damage, which is not covered by warranty. To avoid damage, run pump dry before exposing the machine to freezing temperatures.

STORING MACHINE IN FREEZING TEMPERATURES: be certain that machine, pump and spraying system are completely drained and dry. Pour undiluted antifreeze into clean water bladder and follow flush pump system instructions on page 5.

⚠ WARNING: Do not expose to rain. Store indoors.

GENERAL SERVICE POLICY:

Whenever ordering parts or requesting any type of service, specify:

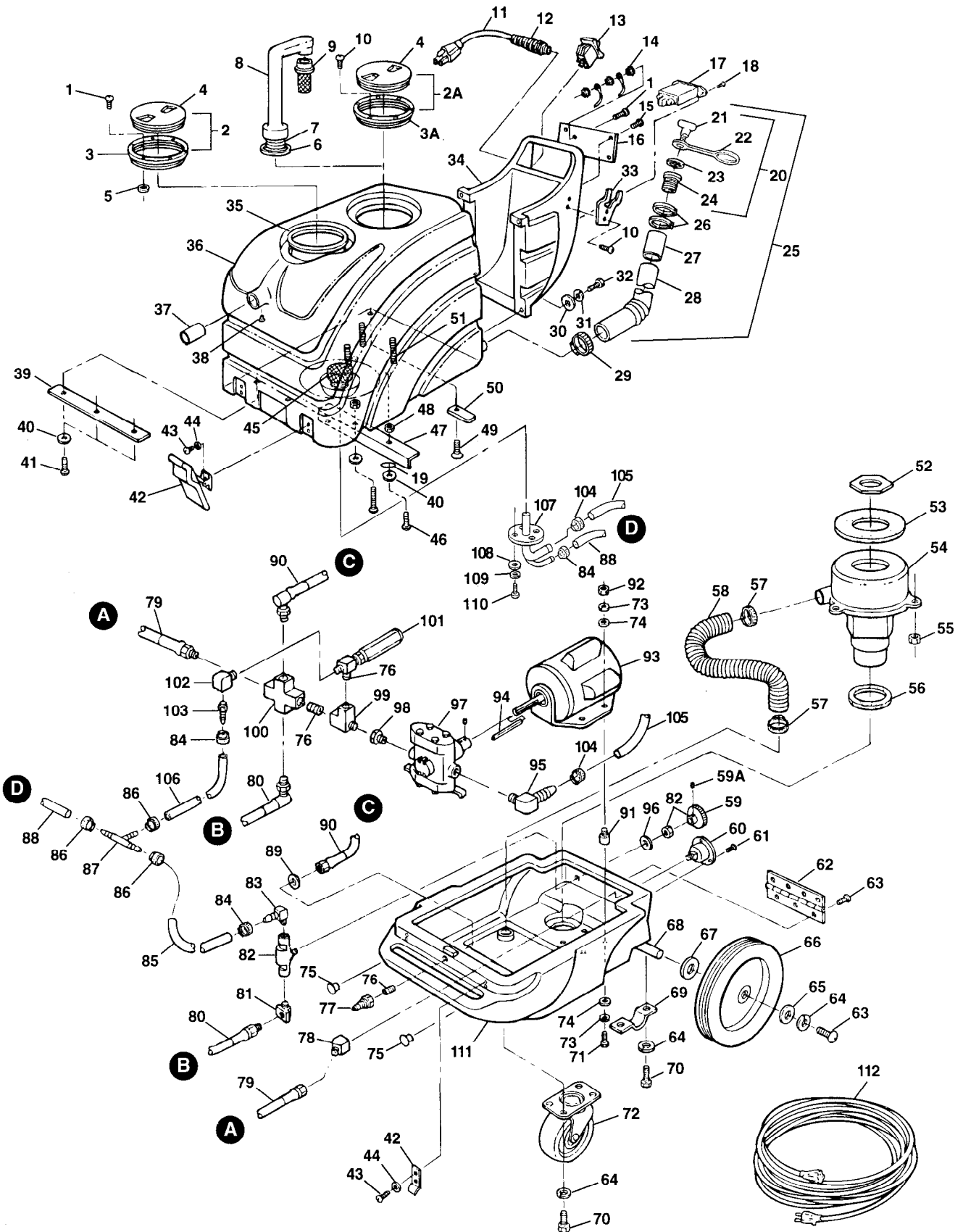
- 1. The model of the machine.
- 2. The serial number of the machine.
- 3. The part number.
- 4. The part description.

All parts returned to the factory must arrive prepaid with a Return Authorization Number. Always include your name, phone number and address.

TROUBLE SHOOTING GUIDE

PROBLEM	CAUSE	SOLUTION
Uneven or no spray from jets.	1. Dirty or plugged spray jets.	1. Clean or replace jets.
	2. Improper jet size or improper spray angle.	2. Replace with proper jets. Also check alignment of spray jets so all jets spray in a straight line.
	3. Worn spray jets.	3. Replace spray jets.
Leaking floor tool.	1. Quick coupler on floor tool faulty.	1. Replace quick coupler.
	2. Flow control valve leaking.	2. Install valve rebuild kit.
	3. Hose split or fittings loose.	3. Replace hose and tighten fittings.
	4. Quick coupler and plug not fully engaged.	4. Reinsert quick coupler.
	5. Valve stem worn.	5. Replace flow control valve.
Solution pump will not run.	1. Fuse blown or circuit breaker tripped in building.	1. Replace fuse or reset breaker.
	2. Faulty pump switch.	2. Replace faulty switch.
	3. Loose wiring to solution pump.	3. Consult wiring diagram and repair the wire.
	4. Faulty solution pump motor.	4. Replace solution pump motor.
	5. Thermal overload activated - motor is too hot and will automatically shut down until cool.	5. Let motor cool and check what caused overheat.
	6. Solution pump bearing freezes up, caused by not greasing	6. Repair or replace.
Poor or no vacuum suction.	1. Fuse blown or circuit breaker tripped in building.	1. Find out if other appliances are plugged into same circuit. Replace fuse or reset breaker. Plug extractor into a less heavily loaded circuit.
	2. Faulty vacuum switch.	2. Replace faulty switch.
	3. Drain hose plug open or loose.	3. Plug drain hose and tighten knob.
	4. Lint is clogging float shutoff screen.	4. Remove recovery cover and clean lint off screen.
	5. Air is leaking around clear cover lids.	5. Tighten tank covers.
	6. Vacuum hose is loose.	6. Push hose firmly onto recovery tool and onto front of extractor.
	7. Holes in vacuum hose or hose cuffs loose on the hose.	7. Replace hose or thread cuffs securely onto hose.
	8. Faulty vacuum motor.	8. Replace vacuum motor.
	9. Faulty vacuum gasket.	9. Replace gasket.
	10. Float shutoff activated.	10. Turn off vac, empty tank.

MACHINE PARTS



MACHINE PARTS

ITEM #	DESCRIPTION	PART #	QTY.	ITEM #	DESCRIPTION	PART #	QTY.
1.	SCREW, 10 - 24 X 3/4	140900	7	62.	HINGE, TANKS	230390	1
2.	LID, CLEAR W/COUNTERSUNK	100103	1	63.	SCREW, 1/4 - 20 X 1/2	140885	9
2A.	LID, CLEAR W/STANDARD HOLE	100102	1	64.	WASHER, LOCK	140016	14
3.	LID, OUTER RING BLK	100109	1	65.	WASHER, FLAT	140000	2
3A.	LID, OUTER RING BLK	600812	1	66.	WHEEL, 12" X 1.75"	103009	2
4.	LID, CENTER	100105	2	67.	WASHER, FLAT	140008	4
5.	WASHER, FLAT	140000	6	68.	AXLE	230907	1
6.	GASKET	101714	1	69.	BRACKET, AXLE OFFSET	230746	2
7.	NIPPLE, 1 1/2" PVC	230187	1	70.	SCREW, 1/4 - 20 X 5/8"	140259	12
8.	STANDPIPE	602448	1	71.	SCREW, 5/16 - 18 X 3/4	140223	4
9.	FLOAT, SHUT-OFF	180613	1	72.	CASTER, SWIVEL 4"	103065	2
10.	SCREW, #6 X 1/2"	140825	8	73.	WASHER, LOCK	140015	8
11.	CORD, 14/3 X 20" YLW	130227	1	74.	WASHER, FLAT	140027	8
12.	CORD GRIP	130166	1	75.	PLUG, DOME 1" BLACK	130284	2
13.	SWITCH, ON/OFF	19417	2	76.	NIPPLE, CLOSE 1/4"	150615	2
14.	NUT, KEP	140519	3	77.	PLUG, QUICK COUPLER SER 60	150933	1
15.	SCREW, 10 - 24 X 3/8	140837	4	78.	ELBOW, STRT 1/4" X 45°	150403	1
16.	PLATE, REAR	230908.BK	1	79.	HOSE, HP 36" ASM.	160140	1
17.	METER, HOUR	130017	1	80.	HOSE, HP 21" ASM.	701213	1
18.	SCREW, #6X1/2	140825	4	81.	ELBOW, STRT 1/4 X 90°	150406	1
19.	WASHER, FLAT	140000	1	82.	VALVE, PRESSURE CONTROL	210108	1
20.	▼ ASM., DRAIN HOSE STOPPER	701061	1	83.	ELBOW, 1/4" X 1/4" 90°	150418	1
21.	▲ KNOB, DRAIN HOSE	230831	1	84.	CLAMP, HOSE	140305	3
22.	▲ STRAP, RUBBER	230882	1	85.	HOSE, 1/4" GRAY 22"	160204	1.83'
23.	▲ WASHER	140056	1	86.	CLAMP	140325	3
24.	▲ PLUG	140955	1	87.	TEE, UNION 1/4"	150713	1
25.	▼ KIT, DRAIN HOSE ASM.	190965	1	88.	HOSE, 1/4" GRAY 31"	160204	2.58'
26.	▲ CLAMP	140072	2	89.	WASHER	140058	1
27.	▲ SLEEVE, DRAIN HOSE	140921	1	90.	HOSE, HP 14" ASM.	701214	1
28.	▲ HOSE, DRAIN	160627	1	91.	MOUNT, MOTOR 1.25"	130031	4
	▲ ASM., DRN HOSE STPR (ITEM #20)	701061	1	92.	NUT, HEX	140506	4
29.	CLAMP, HOSE	140307	1	93.	MOTOR, PUMP DRIVE 1/3 HP 120V	130450	1
30.	WASHER, FLAT	140028	4	94.	KEY, PUMP SHAFT	190310	1
31.	WASHER, LOCK	140017	4	95.	ELBOW, 1/2X1/2X90°	150431	1
32.	SCREW, 3/8 X 1 - 1/2	140231	4	96.	WASHER, FLAT	27820	1
33.	BRACKET, DRAIN HOSE	230696.BK	1	97.	PUMP (See page 10 for pump breakdown)	180100	1
34.	HANDLE, HOUSING (BLUE)	101399	1	98.	BUSHING	150101	1
35.	BLADDER	602783	1	99.	TEE, 1/4" ST	150709	1
36.	TANK, RECOVERY (BLUE)	101396	1	100.	CROSS	150700	1
37.	TUBE, INLET	230905	1	101.	VALVE, PRESSURE RELIEF	210211	1
38.	RIVET, POP	140703	1	102.	ELBOW 1/8 ST 90°	150407	1
39.	BRACE, TANK	230946	1	103.	HOSE BARB, 1/8"M X1/4"H	150525	1
40.	WASHER, LOCK	140016	4	104.	CLAMP, HOSE	140310	2
41.	SCREW, 1/4" 20 X 5/8	140259	3	105.	HOSE, 1/2ID X 3/4OD 29"	160145	2.417'
42.	LATCH, RUBBER	140932	2	106.	HOSE, 1/4" GRAY 5"	160204	.417'
43.	SCREW, 8 - 32 X 3/8	140801	8	107.	PLATE, BLADDER, ASM.	600452	1
44.	WASHER, INT LOCK #8	140023	8	108.	WASHER, FLAT	140000	4
45.	SCREEN, CLEAN WATER TANK	180628	1	109.	WASHER, LOCK	140016	4
46.	SCREW, 1/4 - 20 X 1	140208	1	110.	SCREW, 1/-20X5/8	140259	4
47.	BRACKET, TANK SUPPORT	230846	1	111.	CHASSIS, (BLUE)	101397	1
48.	SPACER	140134	2	112.	CORD, EXTENTION 14/3 X25' YEL	130694	1
49.	SCREW, 1/4 - 20 X 5/8	140834	1				
50.	PLATE, CORD CLAMP	230845	1				
51.	STUD	140258	3				
52.	NUT	210240	1				
53.	GASKET, VAC MOTOR	100001	1				
54.	MOTOR, VAC 120V	130404	1				
	- CARBON BRUSHES	190157	1				
55.	NUT, LOCK 1/4	140501	3				
56.	GASKET, VAC MOTOR	102567	1				
57.	CLAMP, HOSE	140308	2				
58.	HOSE, 2" X 27" WHT	160629	1				
59.	KNOB, PRESSURE VALVE ADJ.	210023	1				
59A.	SET SCREW 10-32X1/4	140894	1				
60.	GAUGE, PRESSURE	180201	1				
61.	SCREW,#6 X 1/2"	140825	3				

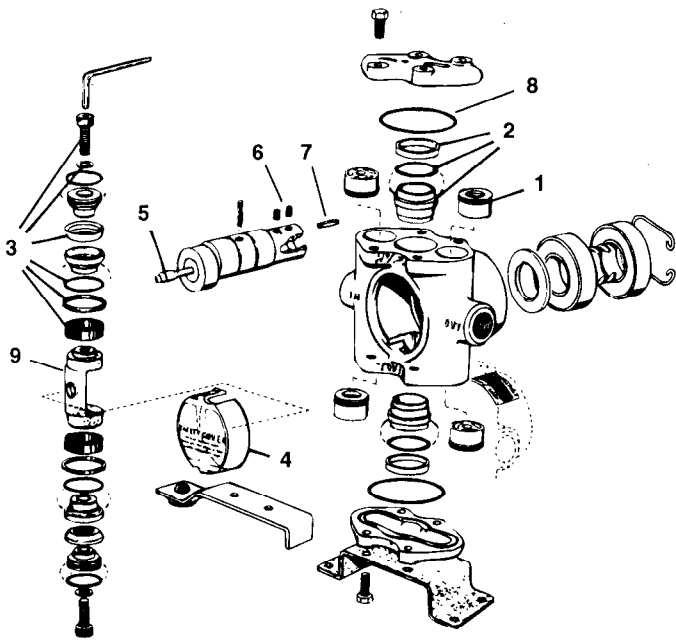
DECAL PARTS LIST (NOT SHOWN)

DESCRIPTION	PART #	QTY.
DECAL, DASH	120188	1
DECAL, "WARNING EXTRACTOR..."	120619	1
DECAL, "IMPORTANT DRAIN..."	120906	1
DECAL, "IMPORTANT ALWAYS CLOSE..."	120907	2
DECAL, "USE BLEEDER HOSE..."	120190	1
DECAL, "CASTEX"	120101	1
DECAL, SIDESTRIPE, R.H.	602548	1
DECAL, SIDESTRIPE, L.H.	602549	1

▼ = ASSEMBLY

▲ = ITEMS INCLUDED IN ASSEMBLY

SOLUTION PUMP PARTS

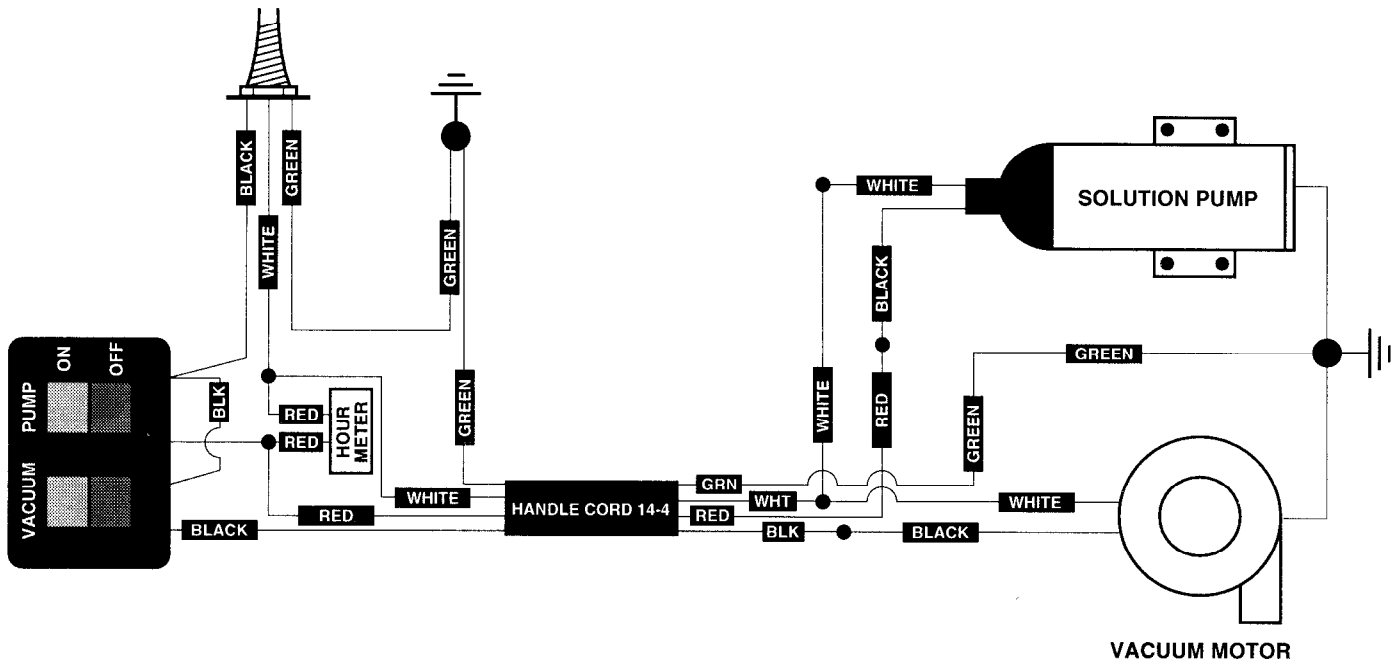


ITEM #	DESCRIPTION	PART #	QTY.
	PUMP, TWIN PISTON (COMPLETE)	180100	1
1.	VALVE KIT, SET OF 4	190301	1
2.	KIT, CYLINDER SLEEVE	190302	1
3.	CUP KIT, SET OF 2	190300	1
4.	SAFETY COVER	190307	1
5.	GREASE FITTING	190305	1
6.	SET SCREWS, PUMP	190309	2
7.	SHAFT KEY	190310	1
8.	KIT, O-RING (INCLUDES 2 O-RINGS)	190303	1
9.	CONNECTING ROD	190304	1

NOT SHOWN:

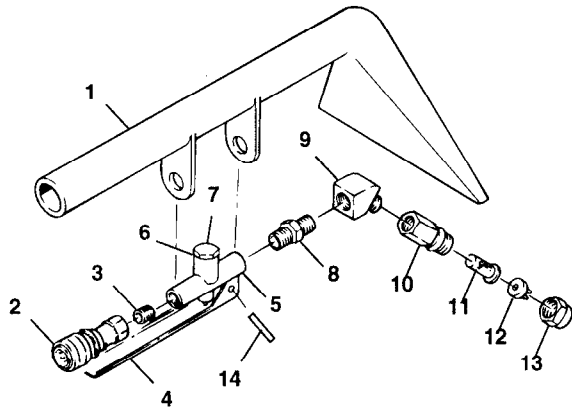
PULLER, VALVE SPRING RETAINER	190316	1
PULLER, VALVE POPPET SEAT	190317	1
GUN, GREASE (METAL)	190022	1

120 VOLT WIRING DIAGRAM



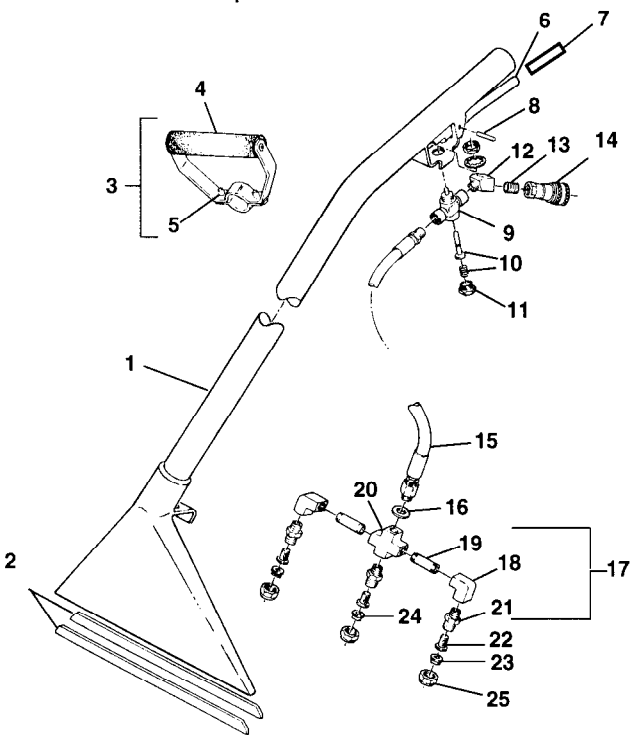
ACCESSORIES PARTS

5" HAND TOOL #200505



ITEM #	DESCRIPTION	PART #	QTY.
1.	TOOL, HAND	200431.BK	1
2.	COUPLER, QUICK, SER. 60	150913	1
3.	NIPPLE, CLOSE	150615	1
4.	TRIGGER, HAND TOOL	200905	1
5.	VALVE, FLOW CONTROL	210210	1
6.	VALVE PIN & SPRING (NOT SHOWN)	190600	1
7.	CAP, HEX, VALVE	N/A	1
8.	NIPPLE, HEX 1/4"	150606	1
9.	ELBOW, ST 1/4" 45°	150403	1
10.	BODY, SPRAY 1/4"F	200992	1
11.	SCREEN, SPRAY NOZZLE	200996	1
12.	TIP, SPRAY #8002	200965	1
13.	CAP, SPRAY BODY	200994	1
14.	PIN	140609	1
	DECAL, "CASTEX"	120103	1

FLOOR TOOL #600049

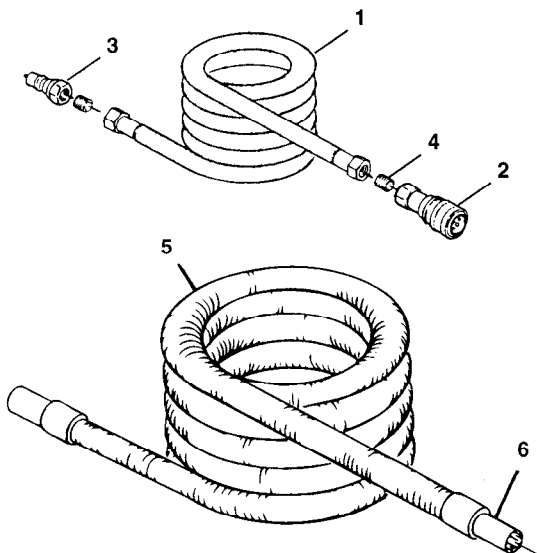


ITEM #	DESCRIPTION	PART #	QTY.
1.	TOOL, FLOOR	200403.BK	1
2.	SHOES, FLOOR TOOL	200939	2
3.	GRIP, ADJUSTABLE COMPLETE	200927	1
4.	FOAM, GRIP	200910	1
5.	SCREW, 1/4X3/4	140210	2
6.	TRIGGER, FLOOR TOOL	200902	1
7.	SLEEVE, TRIGGER	200809	1
8.	PIN	140605	1
	NUT, PUSH	140520	2
9.	VALVE, FLOW CONTROL	210150	1
10.	KIT, VALVE PIN & SPRING	190603	1
11.	CAP, HEX, VALVE	N/A	1
12.	ELBOW, 1/4-45°	150403	1
13.	NIPPLE, CLOSE 1/4	150615	1
14.	COUPLER, QUICK SER. 60	150913	1
15.	HOSE, SOLUTION HP	160175	1
16.	WASHER	140058	1
17.	▼ASM., SPRAY BAR	700062	1
18.	▲ELBOW, 90° 1/FX1/4F	150401	2
19.	▲NIPPLE	150600	2
20.	▲CROSS	150700	1
21.	▲SPRAY BODY	200993	3
22.	SCREEN, SPRAY BODY	200996	3
23.	TIP, SPRAY (#9502)	200986	2
24.	TIP, SPRAY (#11002)	200988	1
25.	CAP, SPRAY BODY	200994	3

DECALS NOT SHOWN:

DECAL, "HIGH PRESSURE..."	120845	1
DECAL, "CASTEX"	120101	1

HOSES



ITEM #	DESCRIPTION	PART #	QTY.
1.	▼SOLUTION HOSE 25' COMPLETE	160191	1
2.	▲COUPLER, QUICK SER. 60	150913	1
3.	▲PLUG, QUICK COUPLER	150933	1
4.	▲NIPPLE	150615	2
5.	▼VACUUM HOSE W/ CUFFS 1-1/2" X 25'	160401	1
6.	▲CUFF, HOSE 1-1/2"	160430	2

PARTS NOT SHOWN:

CONNECTOR, VAC HOSE 1-1/2"	160451	1
BLEEDER HOSE	700141	1