

# Drydynamic™ 170ER

17" Automatic Grout Scrubber

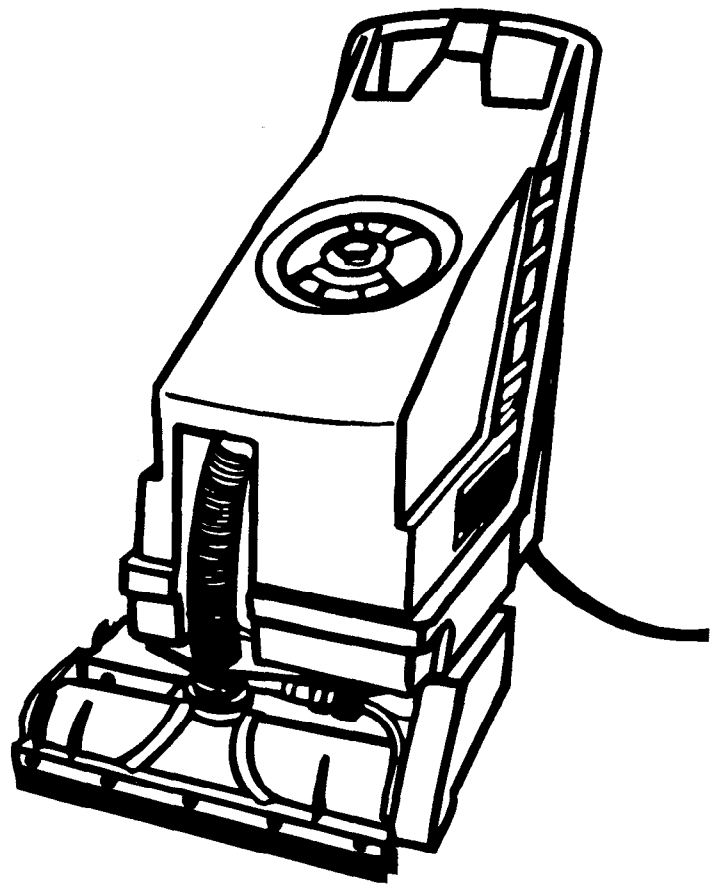
MODEL: DR170E

## Parts Manual

REV. 00 (1-91)



PDF Version of Manual by:  
Michigan Company Inc.  
2011 N. High St.  
Lansing, Mich. 48906  
(517) 484-9312  
<http://www.Michco.Com>  
Email: [Shop@Michco.Com](mailto:Shop@Michco.Com)  
(c) 1998 by Michco & Others.



*Record Machine Serial Number here*

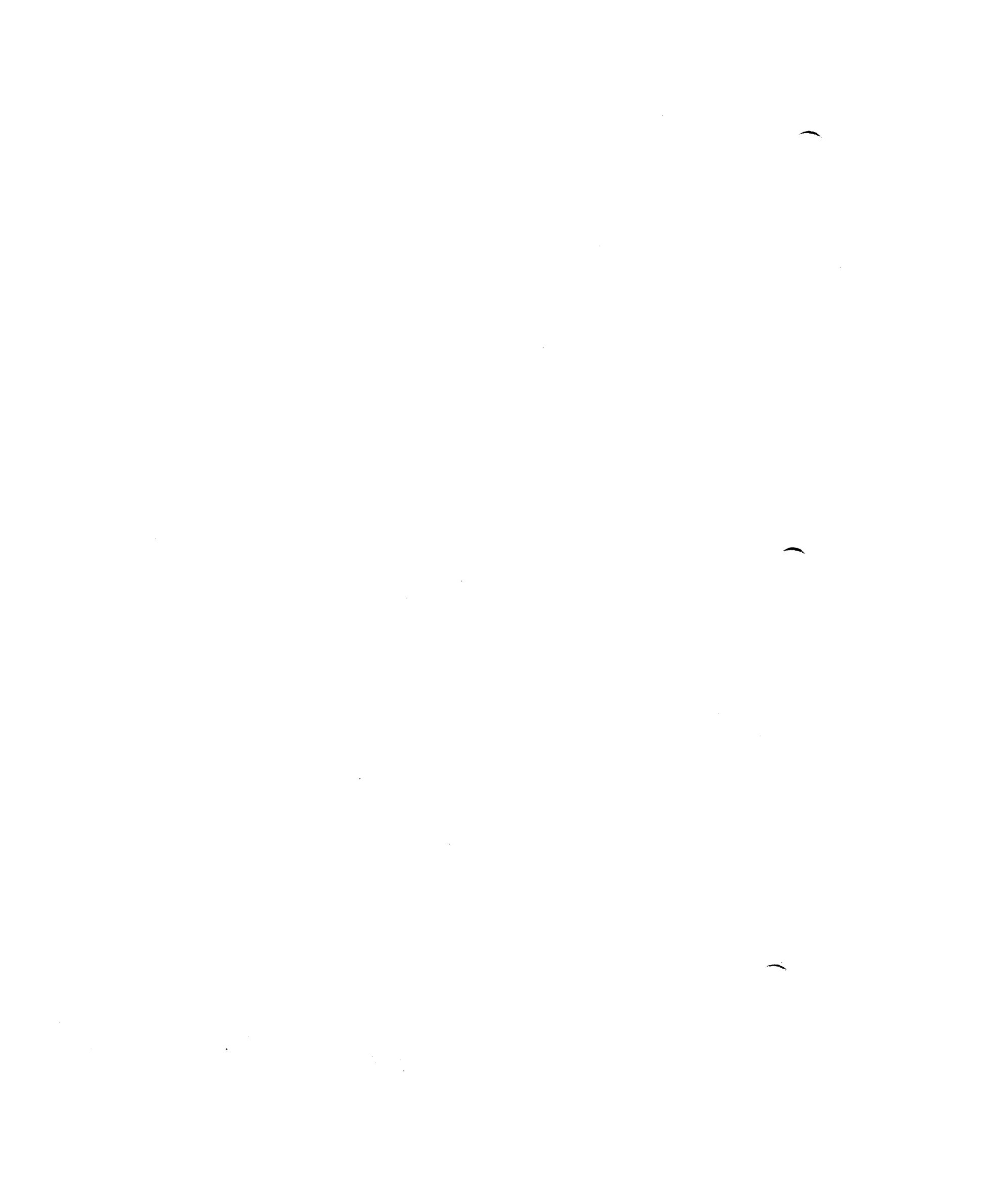
---

# Castex®

*The Specialists in Carpet Maintenance*

**Castex Incorporated** • A Tennant Company  
12875 Ransom Street • Holland, MI 49424 U.S.A.  
1-800-522-7839 • 616-786-2330

Fax: 1-800-678-4240 • CUSTOMER SERVICE: 1-800-365-6625



## CONTENTS

	Page
ORDERING REPAIR PARTS .....	3
Fig. 1 - Motor Frame Group .....	4
Fig. 2 - Tank Group .....	6
Fig. 3 - Transport System .....	8
Fig. 4 - Squeegee Head Group .....	10
Fig. 5 - Electrical Panel .....	12
Fig. 6 - Pump Motor .....	14
Fig. 7 - Vacuum Fan .....	15
Fig. 8 - Carpet Wand .....	16
Fig. 9 - Hard Floor Wand .....	18
Fig. 10 - Upholstery Tool .....	20
Fig. 11 - Detergents .....	20
Fig. 12 - Hose Assembly .....	21
Fig. 13 - Electrical Schematic .....	22

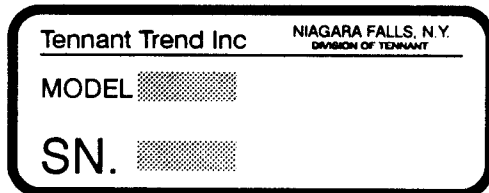


## ORDERING REPAIR PARTS

The components used in this machine have been carefully selected for performance and safety. Use only Tennant Trend specified or equivalent parts.

When ordering parts, please furnish all of the following information:

1. Machine model and serial numbers - shown on the machine data plate.



2. Company name.
3. Name, first and last - of person ordering parts.
4. Customer account number.
5. Ship to number.
6. Required means of shipment.
7. Purchase order number.
8. Part number, description, and quantity - of each item on the order.

Do not order parts by key number or the figure number of the illustrated parts. Indented items indicate parts of assemblies.

Any claim for loss or damage to a shipment in transit should be filed promptly against the transportation company making the delivery. Shipments will be complete unless the packing list indicate items back ordered.

If parts received are suspected to be incorrect or defective, please write, fax, or phone the Tennant Trend representative from whom you ordered the part. They will give authorization for return and/or handle replacement shipments when required.

### SERIAL NUMBER INFORMATION EXPLANATION

Serial number listings are shown to indicate on which machines each part can be used. These listings are explained by the following examples:

(000000- ) The part can be used on all machines.

(003342- ) The part can be used on all machines beginning with the serial number listed.

(000000-004320) The part can be used on all machines up to and including serial number listed.

(004321-005678) The part can be used on all machines between and including the serial numbers listed.

Where xxxxx's are listed in place of a serial number, it indicates a change was made but the exact serial number had not been established when the catalog went to press.

### SI UNITS OF MEASURE (INTERNATIONAL SYSTEM)

Metric equivalents have been included, where applicable, throughout this parts catalog.

### FASTENER STRENGTH IDENTIFICATION

Fasteners required to have high-strength qualities equivalent to SAE Grade 8 are identified throughout this catalog by the description GR 8. Unless identified by this description, all standard fasteners are SAE Grade 5.

(Specifications and design subject to change without notice.)

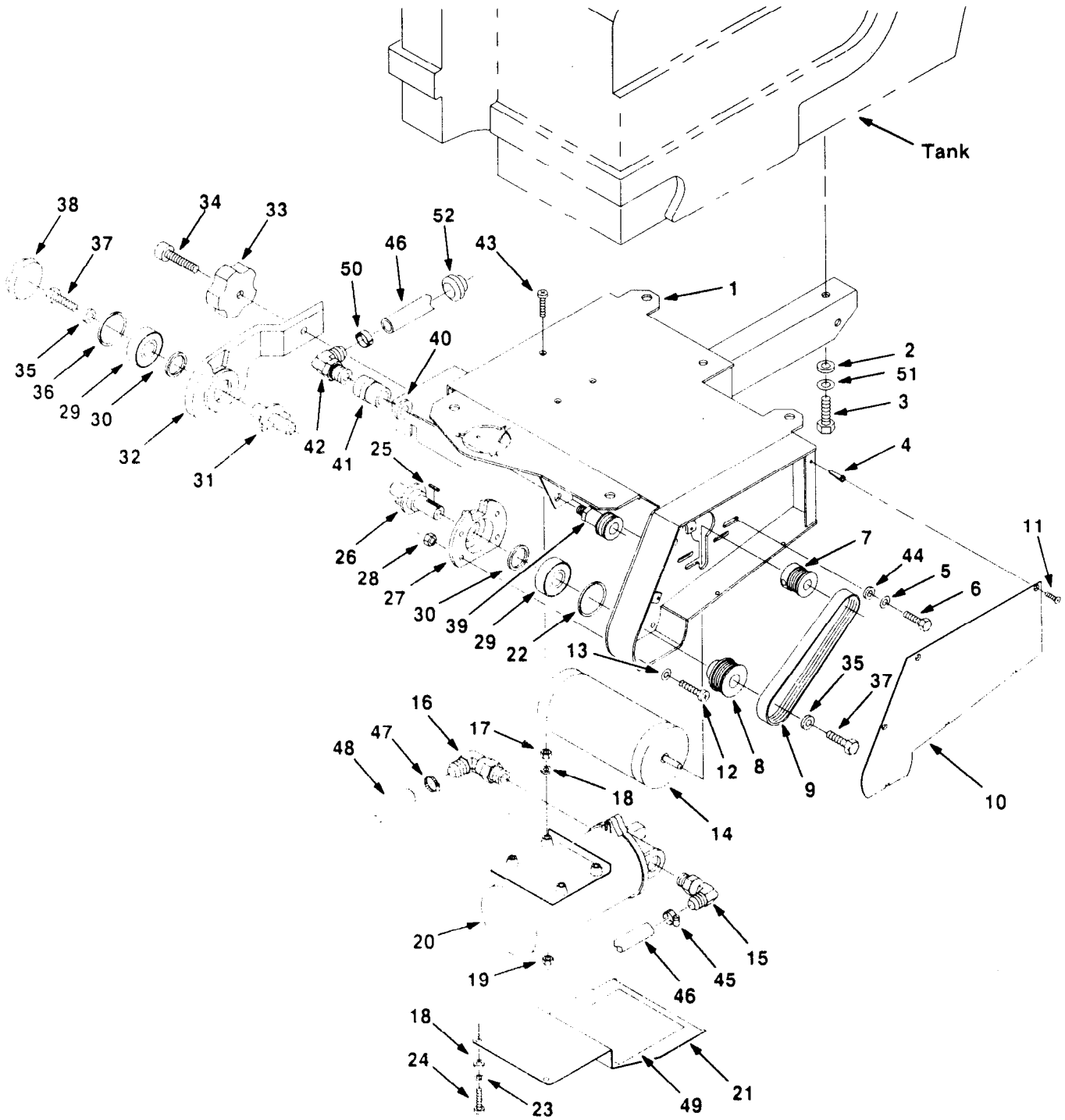


Fig. 1 - Motor Frame Group

06458

Fig. 1 - Motor Frame Group

Key	Tennant Trend Part Number	Machine Serial Number	Description	Qty.
1	578-170-000	(000000- )	Frame, Motor	1
2	069-760-079	(000000- )	Washer, Plain, Ansi-A .31" Wd, ZP	6
3	200-031-487	(000000- )	Screw, Hex Hd, MO8 X 18MM	6
4	578-329-000	(000000- )	Screw Anchor #6	3
5	069-760-085	(000000- )	Washer, Lock, SPG, Ansi, .25" ZP, 06	4
6	578-235-000	(000000- )	Screw, Pan Hd, Phil, .25-20, .50 SS	4
7	039-708-018	(000000- )	Pulley, Motor	1
8	039-708-017	(000000- )	Pulley, Brush	1
9	578-118-000	(000000- )	Belt, Poly-V, Length 381MM	1
10	578-182-000	(000000- )	Cover, Belt	1
11	578-278-000	(000000- )	Screw, Flat Hd, Phil, 6-32 X .50" SS	3
12	578-187-000	(000000- )	Screw, Pan Hd, Phil MO6.12MM, ZP	4
13	578-244-000	(000000- )	Washer, Lock, Int, 6.4 ID, 10MM, SS	4
14	578-028-000	(000000- )	Motor, Brush	1
15	578-040-000	(000000- )	Fitting, Elbow, 3/8NPT X .25 Hose	1
16	578-039-000	(000000- )	Fitting, Elbow, .50" Hose, .38"NPT	1
17	578-194-000	(000000- )	Nut, Lock, MO4, SS	3
18	578-186-000	(000000- )	Washer, Flat, 4.3 X 12 X 1.0, ZP	5
19	578-257-000	(000000- )	Nut, KEP, MO4	3
20	578-331-000	(000000- )	Pump, 115 VAC (See 170ER Breakdowns)	1
21	578-181-000	(000000- )	Cover, UL	1
22	578-319-000	(000000- )	O-Ring, 1.56"ID, 1.75"OD, Buna	1
23	200-370-014	(000000- )	Washer, Internal Lock, 4.31 D, D6797	2
24	200-070-340	(000000- )	Screw, Pan Hd, Phil, MO4 X 8MM	2
25	039-708-130	(000000- )	Key, Square, .125" X .125" X .50"	1
26	578-110-000	(000000- )	Plug, Brush, Driver	1
27	578-163-000	(000000- )	Mount, Bearing	1
28	200-634-016	(000000- )	Nut, Hex, MO6, SS	4
	578-801-000	(000000- )	Removable Brush Arm Assy	1
29	039-708-124	(000000- )	Bearing, Ball	2
30	578-138-000	(000000- )	Seal, Oil, Bearing, .94"ID, 1.31"OD	2
31	578-111-000	(000000- )	Plug, Brush, Idler	1
32	578-090-000	(000000- )	Arm, Brush, Removable	1
33	578-156-000	(000000- )	Knob, Removable Arm	1
34	578-249-000	(000000- )	Screw, Socket Hd, .38"-16 X 1.50", ZP	1
35	578-261-000	(000000- )	Washer, Belleville, .31", .83", ZP	2
36	578-102-000	(000000- )	Ring, Retaining, Internal	1
37	200-031-491	(000000- )	Screw, Hex Hd, MO8 X 25MM	2
38	578-251-000	(000000- )	Cap, Bearing, Brush	1
39	575-520-000	(000000- )	Quick Connect, F 3/8" X 1/4"MPT	1
40	578-298-000	(000000- )	Washer, Flat, .64", .87", .031", SS	1
41	578-274-000	(000000- )	Fitting, Coupling, 0.25"NPT Brass	1
42	578-273-000	(000000- )	Fitting, Elbow, 1.25 Hose, 0.25"NPT	1
43	578-240-000	(000000- )	Screw, Flat Hd, Phil, MO4 X 30MM, ZP	3
44	200-315-017	(000000- )	Washer, Flat, 6.4MM, 18.0, 1.5	4
45	059-651-024	(000000- )	Clamp, Hose-Extravac™	1
46	578-823-000	(000000- )	Hose, .25"ID	1
47	575-500-000	(000000- )	Clamp, Hose, Ideal 62606, .31 - .89	1
48	578-822-000	(000000- )	Hose, .50"ID	1
49	578-047-000	(000000- )	Decal, Wiring	1
50	578-161-000	(000000- )	Clamp, Hose, 8-11MM OD, Crimp	1
51	200-370-019	(000000- )	Washer, Lock, Int, 8.41D, D6797	6
52	578-304-000	(000000- )	Grommet, 13.2MM ID	1

# 170ER PARTS

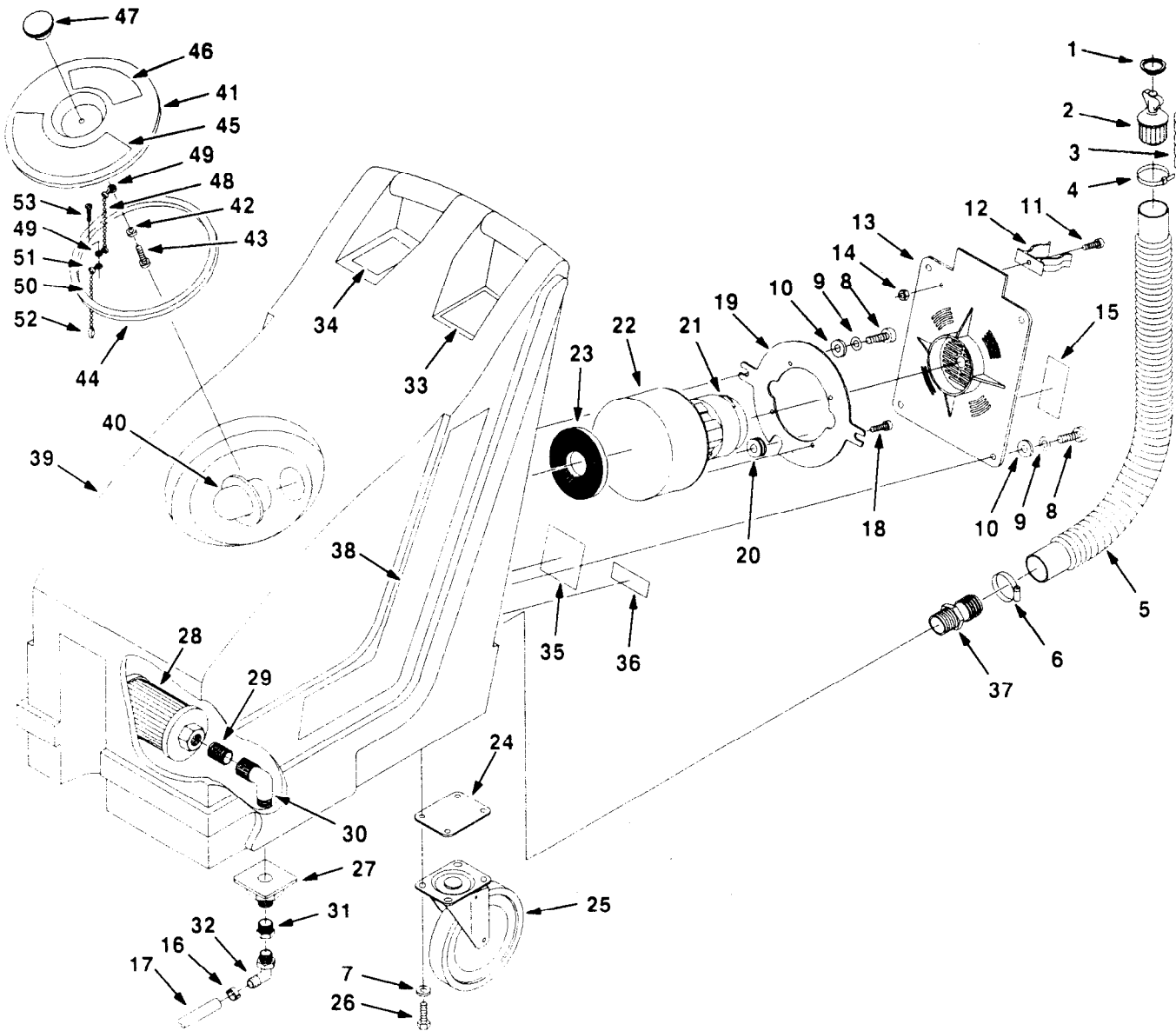


Fig. 2 - Tank Group

06413

Key	Tennant Trend Part Number	Machine Serial Number	Description	Qty.
	578-802-000	(000000- )	Drain Hose Assy	1
1	621-243-000	(000000- )	Ring, Chain	1
2	621-324-000	(000000- )	Plug, Expansion 1-5 Dia Nylon	1
3	039-706-113	(000000- )	Chain, Drain Plug	1
4	282-001-008	(000000- )	Wire Tie, Self Lock, 3.5 X 292	1

Key	Tennant Trend Part Number	Machine Serial Number	Description	Qty.
5	578-031-000	(000000- )	Hose, Drain	1
6	190-005-008	(000000- )	Clamp, Hose, Ideal 6428, 1.32-2.2	1
7	069-760-079	(000000- )	Washer Plain, Ansi-1, 31" Wide, ZP	8
8	578-321-000	(000000- )	Screw, Pan Hd, Phil, MO6, 15MM, ZP	6
9	200-370-017	(000000- )	Washer, Lock, Int, 6.4MM ID, D6797	6
10	200-315-017	(000000- )	Washer, Flat, 6.4MM, 18.0, 1.5	6
11	578-233-000	(000000- )	Screw Pan Hd, Phil, M5 X18, DIN7985, ZP	1
12	578-120-000	(000000- )	Clip, Hose Drain	1
13	578-018-000	(000000- )	Cover Vac Motor	1
14	200-160-015	(000000- )	Nut, Hex Lock, M5	1
15	578-268-000	(000000- )	Decal, Hazardous Voltage	1
16	578-162-000	(000000- )	Clamp, Crimp, 17-20MM OD Hose, SS	1
17	578-822-000	(000000- )	Hose, .50" ID	1
18	578-258-000	(000000- )	Screw, S-Tap, #10 X 5/8" PN, Pan, ZP	4
19	578-016-000	(000000- )	Bracket, Vac Motor	1
20	578-009-000	(000000- )	Grommet, .50" ID, 0.81" GD, 0.12" GW	1
21	059-650-025	(000000- )	Transition, Motor	1
22	578-328-000	(000000- )	Motor, Vac, 115V, 60Hz (See 170ER Breakdowns)	1
23	069-764-111	(000000- )	Gasket, Foam, 102 OD, 38ID, 9.5	1
24	578-230-000	(000000- )	Shim, 95.0MM 70.0MM, 20Ga., ZP	2
25	578-012-000	(000000- )	Caster, 6" Dia.	2
26	200-031-487	(000000- )	Screw, Hex Hd, M8 X 18MM	8
27	621-139-000	(000000- )	Fitting Bulkhead 1 NPT	1
28	578-014-000	(000000- )	Filter, SRS, 100 Mesh	1
29	578-035-000	(000000- )	Fitting, Nipple, 1" NPT X Close	1
30	578-034-000	(000000- )	Fitting, Elbow, 1" NPT, Street	1
31	578-036-000	(000000- )	Fitting, Bushing, 1" MPT X 3/4" FPT	1
32	578-037-000	(000000- )	Fitting, Elbow, 0.50" Hose, 0.75"	1
	578-804-000	(000000- )	Solution Tank Assy	1
33	578-223-000	(000000- )	Decal, "After Use"	1
34	578-229-000	(000000- )	Decal, Read Manual	1
35	578-225-000	(000000- )	Decal, Brush Pressure Adjustment	1
36	578-045-000	(000000- )	Decal, Data Plate	1
37	621-277-000	(000000- )	Fitting, Straight, 1.5 Hose X 1.25NPT	1
38	578-043-000	(000000- )	Decal, Side	1
39	578-010-000	(000000- )	Tank, Recycle	1
40	578-020-000	(000000- )	Screen, Vacuum Fan	1
	578-800-000	(000000- )	Fill Cover Assy	1
41	578-026-000	(000000- )	Cover Fill	1
42	578-300-000	(000000- )	Washer, Flat, 22", .44" SS	1
43	578-299-000	(000000- )	Screw, Pan Hd, Phil, 10-32 X .75" SS	1
44	578-303-000	(000000- )	Gasket, Raw, .50" X .50"	1
45	578-267-000	(000000- )	Decal, Flammable Materials	1
46	578-222-000	(000000- )	Decal, Filling Instructions	1
47	578-301-000	(000000- )	Knob, Fill Cover, 10-32 F	1
	578-805-000	(000000- )	Ball Chain Assembly	1
48	575-537-000	(000000- )	Chain Ball #10	1
49	575-536-000	(000000- )	End Coupling, Chain	2
	578-806-000	(000000- )	Ball Chain Assembly	1
50	575-537-000	(000000- )	Chain Ball #10	1
51	575-536-000	(000000- )	End Coupling, Chain	1
52	575-538-000	(000000- )	Spacing Link	1
53	578-142-000	(000000- )	Screw, Type B #10, .50", PN, PHL, SS	1

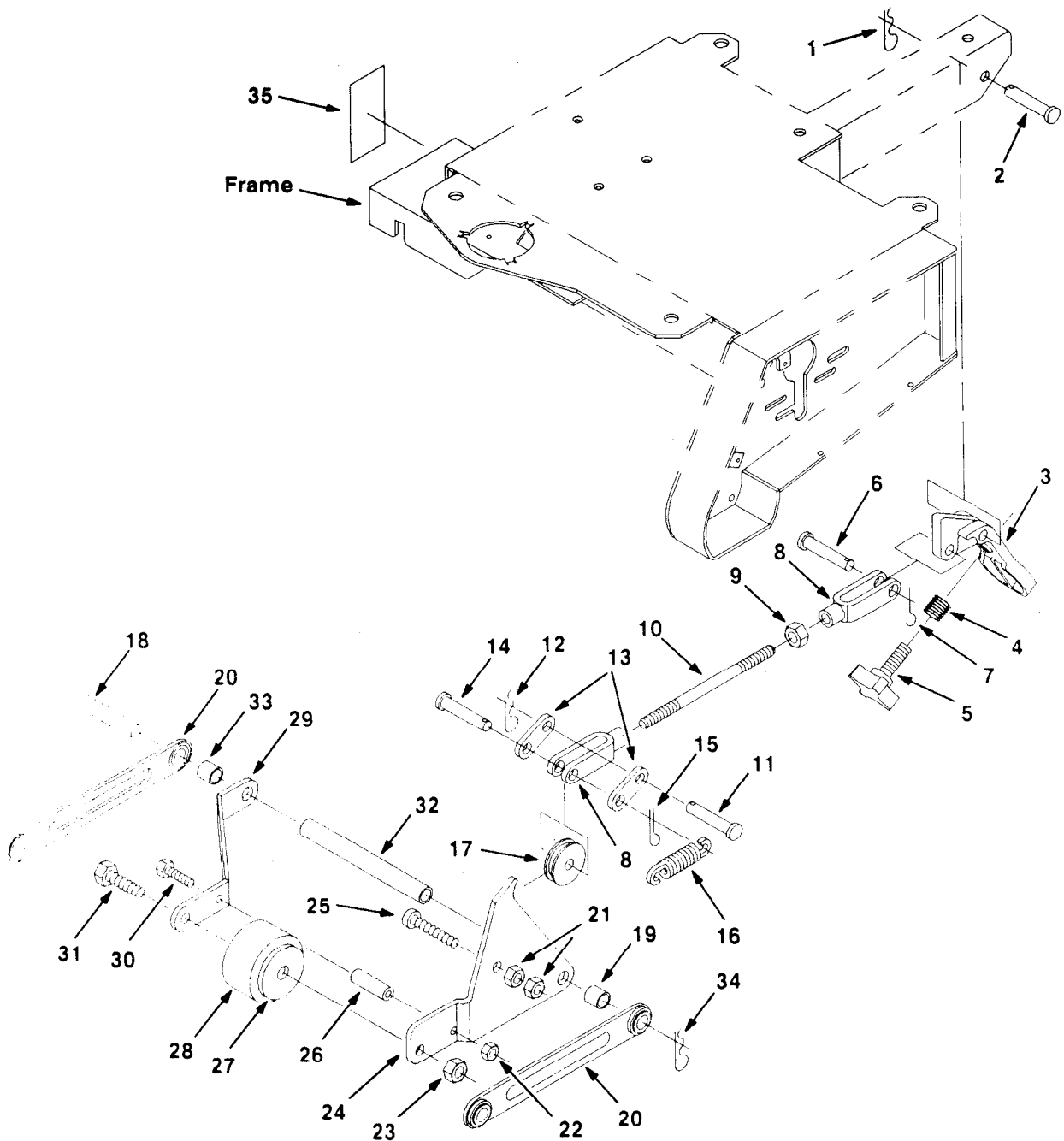


Fig. 3 - Transport System

06414

Fig. 3 - Transport System

Key	Tennant Trend Part Number	Machine Serial Number	Description	Qty.
1	612-254-000	(000000- )	Pin, Hair Pin, 38"Dia Shaft	1
2	601-103-000	(000000- )	Pin, Clevis, .38 X 1.75" Lg.	1
3	578-135-000	(000000- )	Pedal, Transport	1
4	578-140-000	(000000- )	Spring, Compression, 1.00", 0.66", .049	1
5	578-139-000	(000000- )	Knob, Foot Pedal, Male	1
6	578-158-000	(000000- )	Pin, Clevis, .38"Dia. X 0.90"EFF, ZP	1
7	069-760-625	(000000- )	Pin, Cotter, .09"Dia X .75 Lg.	1
8	578-085-000	(000000- )	Yoke, Adjustable, 3/8-24 UNF, -2B-RH, ZP	2
9	578-242-000	(000000- )	Nut, Hex Jam, .38-24 UNF, ZP	1
10	578-132-000	(000000- )	Rod, Transport, 153MM, 3/8-24	1
11	578-202-000	(000000- )	Pin, Clevis, .38"Dia. X 1.50" Lg.	1
12	612-254-000	(000000- )	Pin, Hair Pin, 38"Dia Shaft	1
13	578-129-000	(000000- )	Transport Wheel Arm	2
14	578-231-000	(000000- )	Pin, Clevis, 38"Dia. X 2.00"Lg	1
15	069-760-713	(000000- )	Pin, Cotter, 12"Dia. X 1.00"Lg	1
16	069-764-546	(000000- )	Spring, Extension, .63", 3.00, .63	1
17	578-130-000	(000000- )	Cam, Transport Wheel	1
18	578-220-000	(000000- )	Transport Pin	1
19	578-217-000	(000000- )	Spacer, 12.7MM ID X 21.3 OD X 14.7MM Lg	1
20	578-104-000	(000000- )	Arm, Brush Wrap	2
21	578-194-000	(000000- )	Nut, Lock, MO4, SS	2
22	069-762-303	(000000- )	Nut, Hex Lock, MO6, SS	1
23	578-207-000	(000000- )	Nut, Hex Lock, .38-16, SS	1
24	578-136-000	(000000- )	Left Arm, Transport	1
25	578-243-000	(000000- )	Screw, Pan Hd, Phil, M4 X 20 DIN985A,ZP	1
26	578-137-000	(000000- )	Spacer, 6.4 ID X 12.7 OD X 39.7 Lg., ZP	1
27	578-116-000	(000000- )	Guard, Thread Wheel	2
28	578-115-000	(000000- )	Wheel, Transport	1
29	578-128-000	(000000- )	Right Arm, Transport	1
30	578-208-000	(000000- )	Screw, Hex Hd, M6 X 55DIN 933, SS	1
31	578-206-000	(000000- )	Screw, Hex Hd, .38-16, 2.50", SS	1
32	578-219-000	(000000- )	Spacer, 12.7 ID, 21.3OD, 140MM Lg	1
33	578-218-000	(000000- )	Spacer, 12.7MM ID, 21.3MM X 8.6MM Lg	1
34	069-760-415	(000000- )	Pin, Hair Pin, .50"Dia Shaft	1
35	578-269-000	(000000- )	Decal, Moving Parts	1

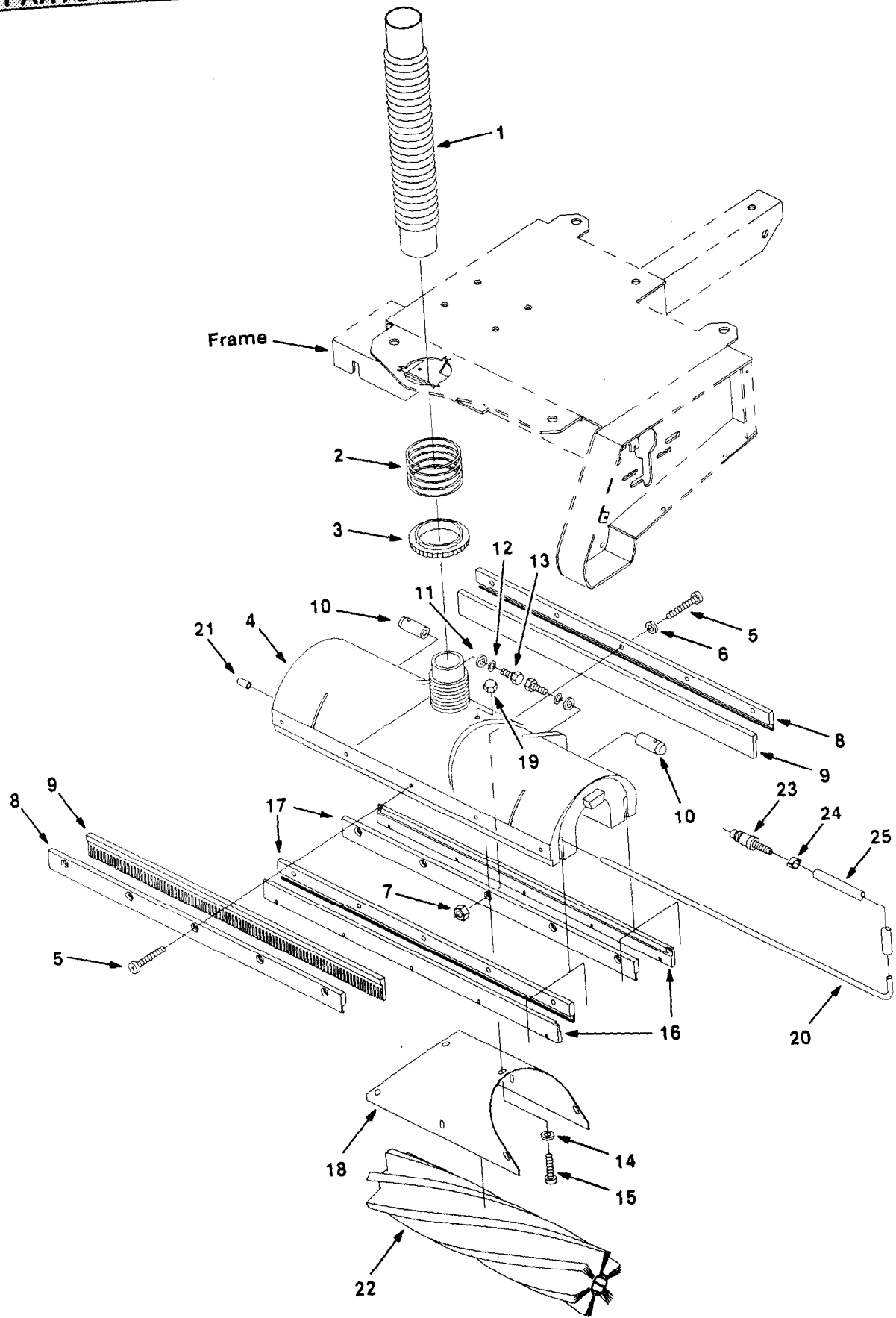


Fig. 4 - Squeegee Head Group

06412

Drymatic™ MM264 (1-91)

Fig. 4 - Squeegee Head Group

Key	Tennant Trend Part Number	Machine Serial Number	Description	Qty.
1	578-021-000	(000000- )	Hose Squeegee Brush Head, Dia. 38.1	1
2	578-127-000	(000000- )	Spring, Down Pressure Head 2.5"	1
3	578-122-000	(000000- )	Nut, Knurl, 1-13/16 UNC, Special	1
	578-803-000	(000000- )	Scrubber Head Assy	1
4	578-101-000	(000000- )	Head, Scrubber	1
5	578-193-000	(000000- )	Screw, Pan Hd, Phil, M4 X 25DIN 7985, ZP	10
6	200-370-014	(000000- )	Washer, Lock, Int., 4.3 ID, D6797	10
7	200-633-014	(000000- )	Nut, Hex, MO4, SS	10
8	578-253-000	(000000- )	Squeegee Blade Retainer, Gray	2
9	578-106-000	(000000- )	Squeegee Blade Outer	2
10	578-216-000	(000000- )	Pin, Scrub Head, SS	2
11	200-370-019	(000000- )	Washer, Internal Lock, 8.4 ID, D6797	2
12	069-760-079	(000000- )	Washer, Plain, Ansi-A, .31"Wd, ZP	2
13	578-237-000	(000000- )	Screw, Hex Hd, M8 X 18 DN933, SS	2
14	578-195-000	(000000- )	Washer, Flat, 4.3, .08, 9.0 D125AZP	2
15	578-196-000	(000000- )	Screw, Pan Hd, Phil, M4 X 10, SS	2
16	578-107-000	(000000- )	Squeegee Blade Inner	2
17	578-108-000	(000000- )	Squeegee Blade Retainer	2
18	578-119-000	(000000- )	Inner Brush Wrap	1
19	578-194-000	(000000- )	Nut, Lock, MO4, SS	2
20	578-055-000	(000000- )	Manifold, Tube	1
21	578-150-000	(000000- )	Cap, Manifold End, 5.8MM ID	1
22	578-112-000	(000000- )	Brush, Cylindrical 17", Nylon	1
23	578-318-000	(000000- )	Fitting, QConn, Male, 3/8", 1/4" H	1
24	578-161-000	(000000- )	Clamp, Hose, 8-11MM OD, Crimp	1
25	578-824-000	(000000- )	Hose, .25" ID	1

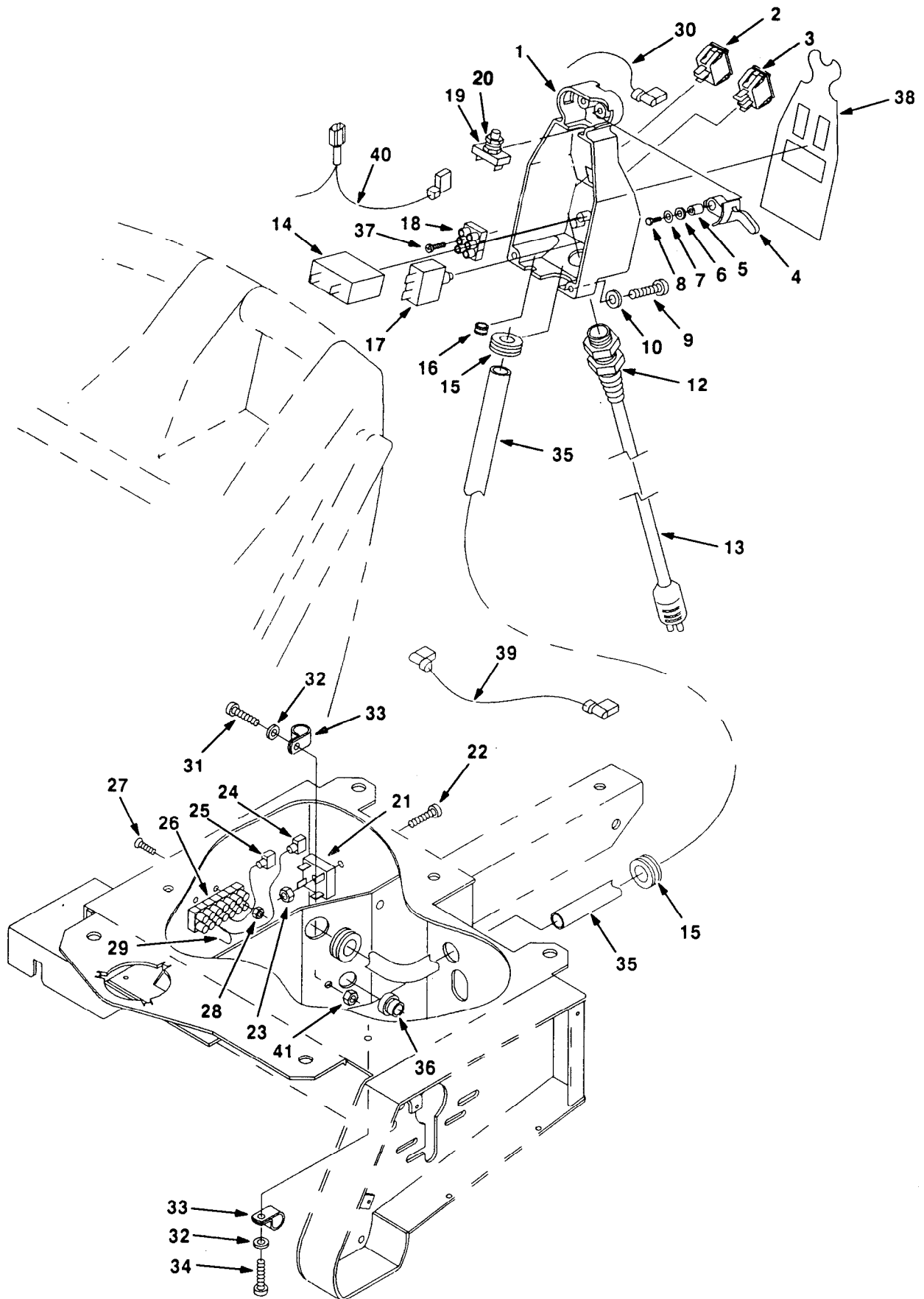


Fig. 5 - Electrical Panel

06456

Fig. 5 - Electrical Panel

Key	Tennant Trend Part Number	Machine Serial Number	Description	Qty.
1	578-001-000	(000000- )	Cover, Console	1
2	578-005-000	(000000- )	Switch, Rocker SPST	1
3	578-272-000	(000000- )	Switch, Rocker, SPDT	1
4	578-002-000	(000000- )	Arm, Trigger	2
5	578-082-000	(000000- )	Spacer, Trigger	2
6	578-186-000	(000000- )	Washer, Flat, 4.3MM, 10.1, 1.0	2
7	200-662-012	(000000- )	Washer, Lock, Int., 3.2 ID, D6798	2
8	069-764-190	(000000- )	Screw, Hex Hd, M03 X 16	2
9	578-008-000	(000000- )	Screw, Pan Hd, 5 X 31.3, ZP	3
10	200-370-016	(000000- )	Washer, Lock, Int., 5.3 ID, D6797	3
11		(000000- )		
12	578-079-000	(000000- )	Strain Relief Cord, Pigtail	1
13	578-023-000	(000000- )	Cord Set, 14/3SJT, Yellow, 40' Lg	1
14	578-054-000	(000000- )	Gauge, Brush Pressure	1
15	578-009-000	(000000- )	Grommet, .50" ID, 0.81GD, .12"GW	3
16	578-080-000	(000000- )	Grommet, .1" ID, .31"GD, .12"GW	1
17	578-004-000	(000000- )	Circuit Breaker, 3AMP	1
18	578-007-000	(000000- )	Terminal Block 3 Position	1
19	069-762-390	(000000- )	Switch, Pushbutton, SPNO	1
20	200-413-049	(000000- )	Bevel Washer	1
21	578-083-000	(000000- )	Rectifier, Full Wave	1
22	578-302-000	(000000- )	Screw, Pan Hd, M5 x 20MM, SS	1
23	200-160-015	(000000- )	Nut, Lock, M05	1
24	578-252-000	(000000- )	Wire, Jumper, White	1
25	578-255-000	(000000- )	Wire, Jumper, Black	1
26	578-013-000	(000000- )	Terminal Block, 7 Pos.	1
27	200-631-266	(000000- )	Screw, Flat Hd, M03 X 16MM, SS	2
28	059-654-062	(000000- )	Nut, Lock, M03, SS	2
29	578-259-000	(000000- )	Wire, Jumper, Green	1
30	578-029-000	(000000- )	Wire Assy, 16 Ga, 120MM FQC/TIN	1
31	200-070-343	(000000- )	Screw, Pan Hd, M04 X 12MM	1
32	578-195-000	(000000- )	Washer, Flat, 4.3, .08, 90 D125AZP	2
33	578-256-000	(000000- )	Clamp, Cable, .44"ID	2
34	200-070-340	(000000- )	Screw, Pan Hd, M04 X 8MM	1
35	578-058-000	(000000- )	Wire Harness	1
36	578-324-000	(000000- )	Strain Relief, Motor Leads	1
37	578-011-000	(000000- )	Screw, S-Tap, #6, Pan Hd, Type 3	2
38	578-279-000	(000000- )	Decal, "Console"	1
39	578-075-000	(000000- )	Wire Assy, 16 Ga, 90MM FQC	1
40	578-260-000	(000000- )	Wire Assy, 16 Ga	1
41	578-194-000	(000000- )	Nut, Lock, M4, SS	1

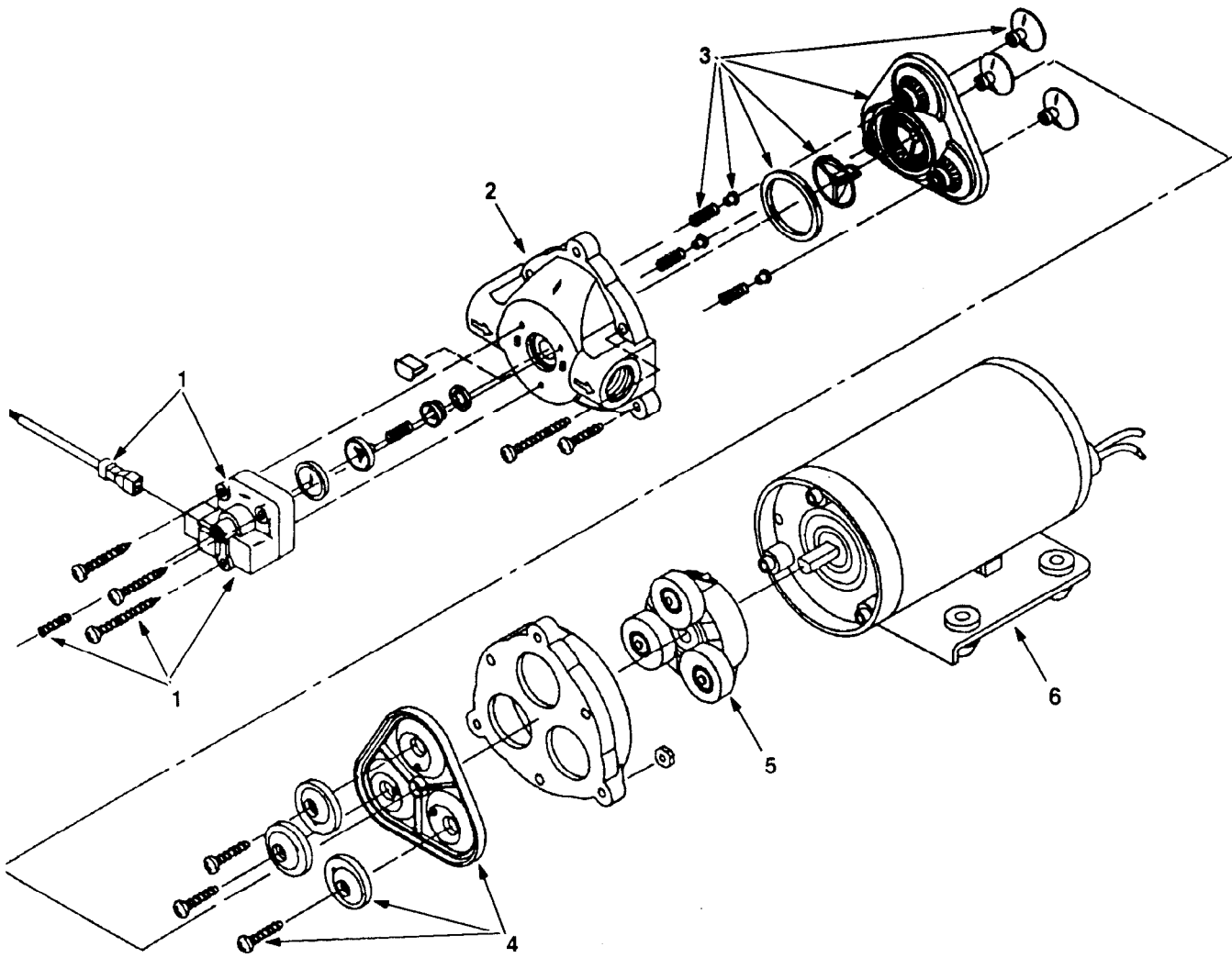


Fig. 6 - Pump Motor

06707

Key	Tennant Trend Part Number	Machine Serial Number	Description	Qty.
	578-331-000	(000000- )	Pump Motor Assy	1
	578-807-000	(000000- )	Pump Head Assy	1
1	578-812-000	(000000- )	Switch, Pressure	1
2	578-813-000	(000000- )	Upper Housing	1
3	578-811-000	(000000- )	Valves (EPOM) 60 PSI Bypass	1
4	578-810-000	(000000- )	Diaphragm (Santoprene)	1
5	578-809-000	(000000- )	Drive Assy - 2.0 CAM	1
6	578-808-000	(000000- )	115 VAC Motor W/Rect.	1
7	578-814-000	(000000- )	Rectifier	1

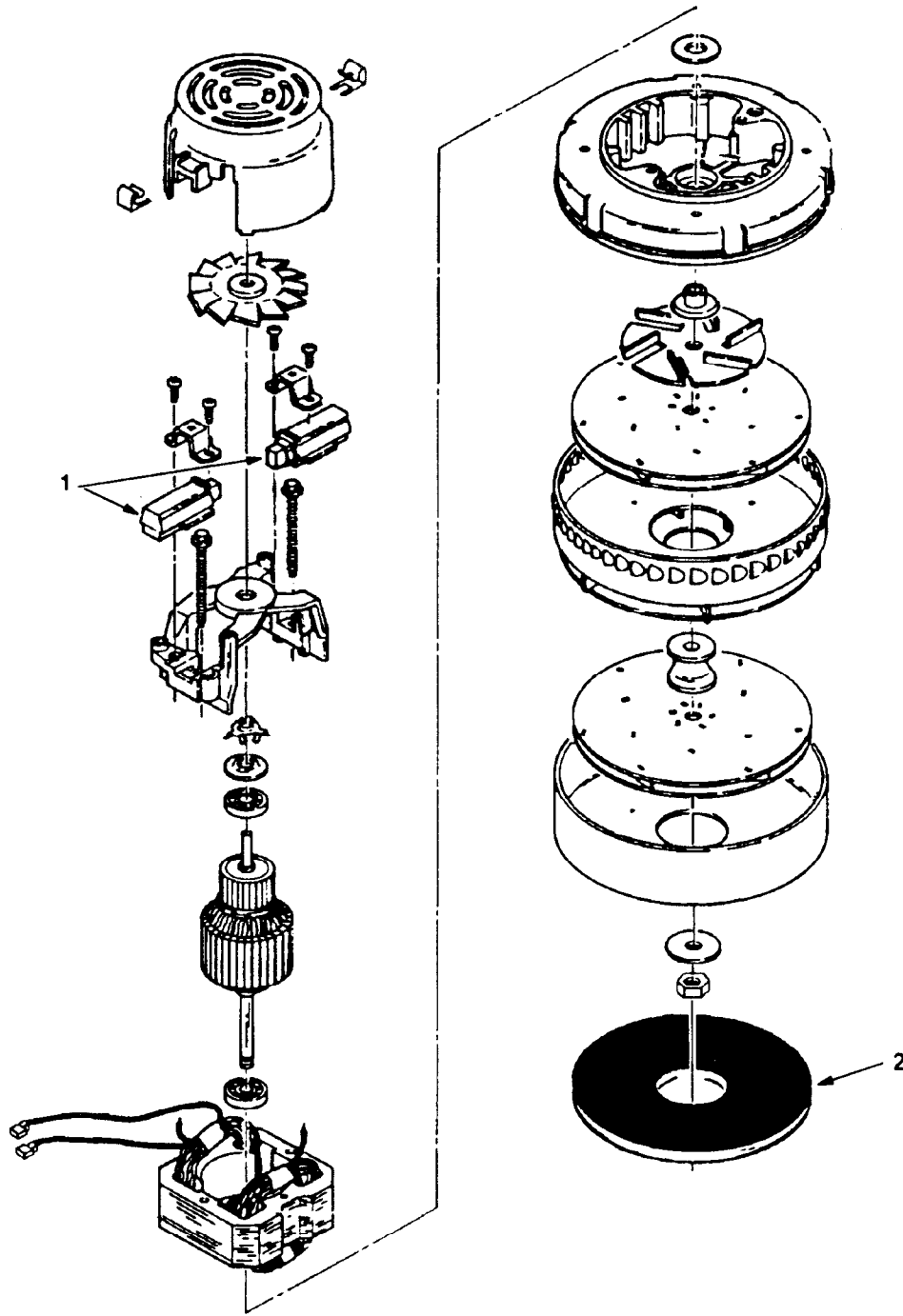


Fig. 7 - Vacuum Fan

06706

Key	Tennant Trend Part Number	Machine Serial Number	Description	Qty.
	578-328-000	(000000- )	Vacuum Fan Assy	1
1	199-201-004	(000000- )	Brush, Vac Fan Motor (Set of 2)	1
2	069-764-111	(000000- )	Gasket, Foam, 102OD, 38ID, 9.5	1

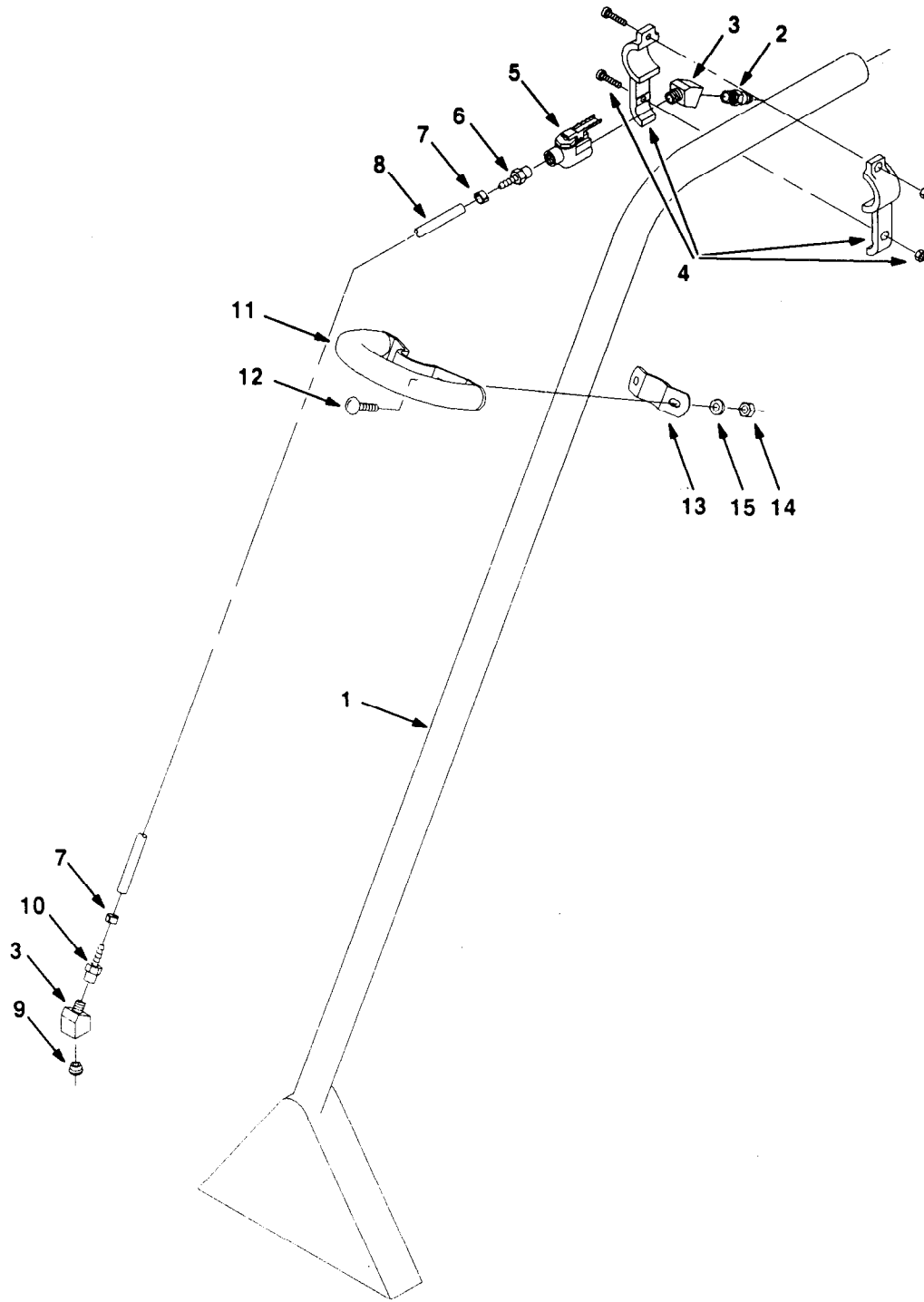


Fig. 8 - Carpet Wand

06194

Fig. 8 - Carpet Wand

Key	Tennant Trend Part Number	Machine Serial Number	Description	Qty.
1	575-905-000	(000000- )	Carpet Wand Assy	1
2	578-091-000	(000000- )	Plug, Quick Conn, 1/4" MPT	1
3	059-650-219	(000000- )	Elbow, Street, 1/4" MPT X 45Deg.	2
4	578-077-000	(000000- )	Bracket, Valve Mounting Wand	1
5	578-064-000	(000000- )	Valve, Water Control	1
6	578-094-000	(000000- )	Fitting, Hose Barb, 1/4" X 1/4" NPT	1
7	578-160-000	(000000- )	Clamp, Hose, 11-13MM OD, Crimp	2
8	575-523-000	(000000- )	Hose, 0.25" ID, 0.44" OD, Reinforced	1
9	575-529-000	(000000- )	Tip, Spray 11010, Quick-Jet	1
10	575-526-000	(000000- )	Fitting, Hose Barb, 1/4" X 1/4" FPT	1
	578-904-000	(000000- )	Handle, Assy	1
11	578-155-000	(000000- )	Handle, Wand	1
12	578-211-000	(000000- )	Screw, Car, .25-20unc, .75", ZP	2
13	578-154-000	(000000- )	Bracket, Handle, Wand	1
14	578-323-000	(000000- )	Nut, Hex Lock, .25 - 20UNC, Nylon INS	2
15	200-304-017	(000000- )	Washer, Flat, 6.4MM, 13.0, 1.6	3

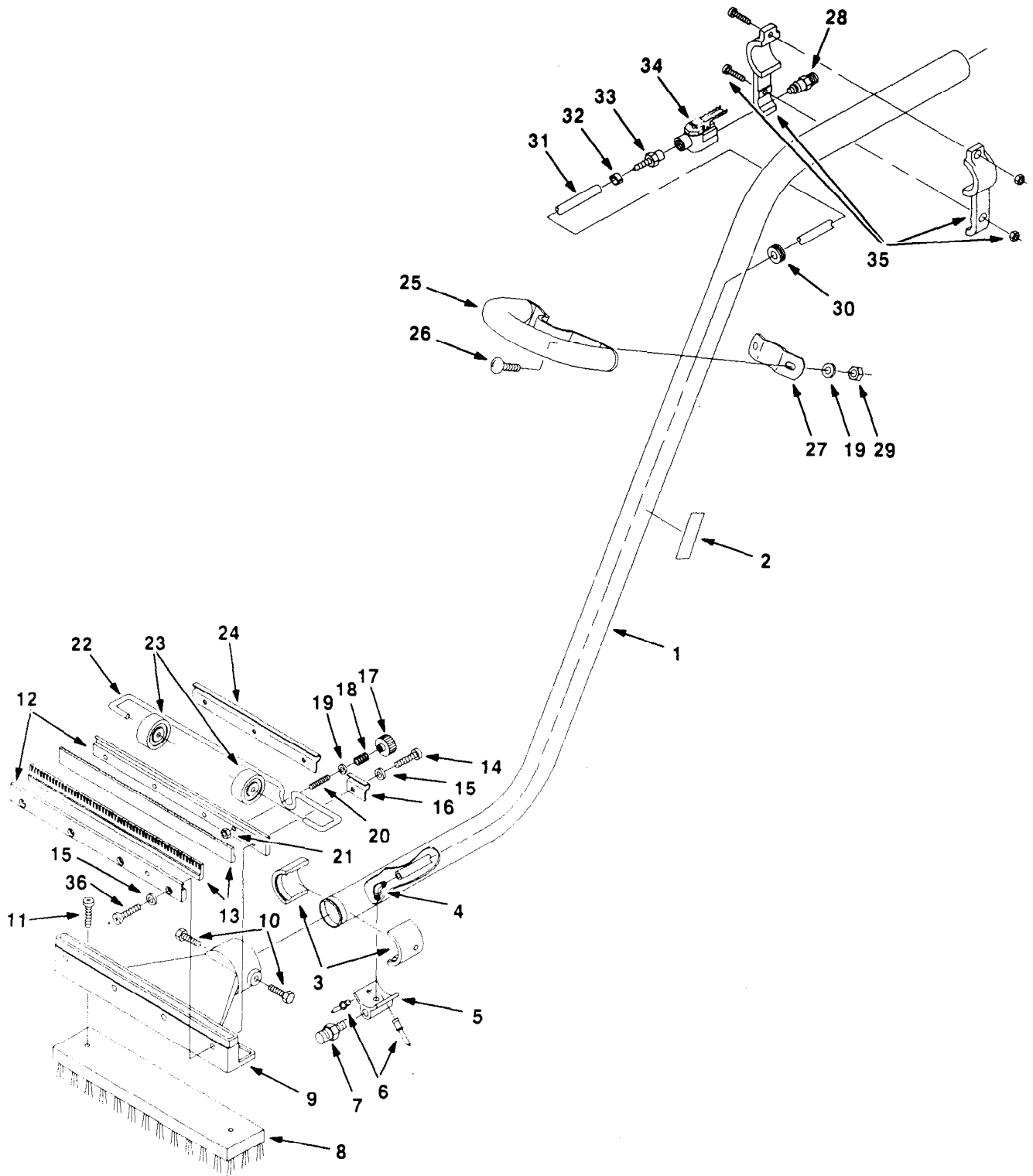


Fig. 9 - Hard Floor Wand

06459

Fig. 9 - Hard Floor Wand

Key	Tennant Trend Part Number	Machine Serial Number	Description	Qty.
1	578-060-000	(000000- )	Wand Assy, Double Bend, Dia 38.1MM	1
2	210-002-001	(000000- )	Label, I.D.	1
3	578-061-000	(000000- )	Adapter, Head/Wand	2
4	578-214-000	(000000- )	Fitting, Elbow, 0.25"Hose, 0.12"NPT	1
5	578-067-000	(000000- )	Adapter, Spray Nozzle	1
6	602-036-000	(000000- )	Rivet, Pop, S-2500 Driveblock	2
7	578-066-000	(000000- )	Spray Nozzle, .125" NPT, 75 Deg.	1
8	578-073-000	(000000- )	Brush, Wand Attachment	1
9	578-063-000	(000000- )	Head, Wand	1
10	039-708-224	(000000- )	Screw, Truss, Phil, .25-20, 0.5", Z	2
11	621-336-000	(000000- )	Screw, S-Tap #10-16 X 3/4" Philips	2
12	578-078-000	(000000- )	Retainer, Squeegee Wand	2
13	578-074-000	(000000- )	Blade, Squeegee Wand	2
14	578-141-000	(000000- )	Screw, Pan Hd., Phil, M5 X 10MM Lg., SS	4
15	200-370-016	(000000- )	Washer, Lock, Int, 0.53ID	8
16	578-124-000	(000000- )	Bracket, Axle, 1-Hole	1
17	203-030-010	(000000- )	Nut, Thumb, M6 X Dia 30MM	1
18	578-228-000	(000000- )	Spring, Compression, .63", .42", .04	1
19	200-304-017	(000000- )	Washer, Flat, 6.4MM, 13.0, 1.6	3
20	578-143-000	(000000- )	M6, 40mm Lg., Adjust. Stud	1
21	200-634-016	(000000- )	Hex Nut, M6	1
22	578-126-000	(000000- )	Axle, Wand	1
23	578-125-000	(000000- )	Wheel, Guide, Wand	2
24	578-123-000	(000000- )	Bracket, Axle, 3-Hole	1
25	578-155-000	(000000- )	Handle, Wand	1
26	578-211-000	(000000- )	Screw, Car, .25-20unc, .75", ZP	2
27	578-154-000	(000000- )	Bracket, Handle, Wand	1
28	578-091-000	(000000- )	Male Quick-Conn., 1/4"NPT	1
29	578-323-000	(000000- )	Nut, Hex Lock, .25-20UNC, Nyl. INS	2
30	578-164-000	(000000- )	Grommet, .38"ID, .63"OD, .06"OW	1
31	578-821-000	(000000- )	Hose, Solution, Wand	1
32	578-161-000	(000000- )	Clamp, Hose, 8-11MM OD, Crimp	2
33	578-094-000	(000000- )	1/4 Hosebarb, 3/8NPT Male Pipe	1
34	578-064-000	(000000- )	Valve, Water Control, Wand	1
35	578-077-000	(000000- )	Bracket, Valve Mounting, Wand	1
36	578-144-000	(000000- )	Screw, Pan Hd., Phil, M5 X 16MM Lg., SS	4

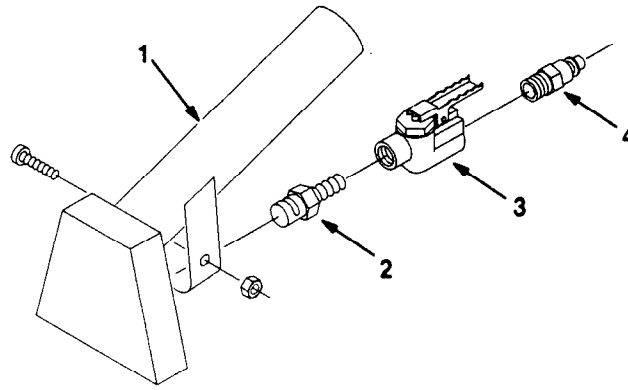


Fig. 10 - Upholstery Tool

06195

Key	Tennant Trend Part Number	Machine Serial Number	Description	Qty.
1	575-906-000	(000000- )	Upholstery Tool Assy	1
2	575-519-000	(000000- )	Nozzle	1
3	578-064-000	(000000- )	Valve, Water Control	1
4	578-091-000	(000000- )	Plug, Quick Connect, 1/4" MPT	1

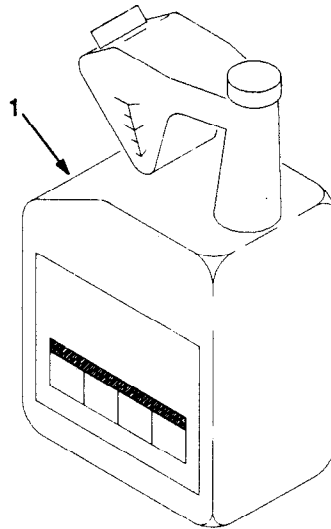


Fig. 11 - Detergents

06614

Key	Tennant Trend Part Number	Machine Serial Number	Description	Qty.
1	575-547-000	(000000- )	Carpet Cleaning Detergent, Extravac™ (Case of 4 -1 gal (3.8 L) Bottles) For Cleaning Carpet And Upholstery With The Optional Carpet Wand And Upholstery Tool.	1
1	578-825-000	(000000- )	Detergent, Drydynamic™ (Case of 4 -1 gal (3.8 L) Bottles) For Degreasing And General Purpose Cleaning Of Hard Floors With The Machine Or Optional Wand.	1

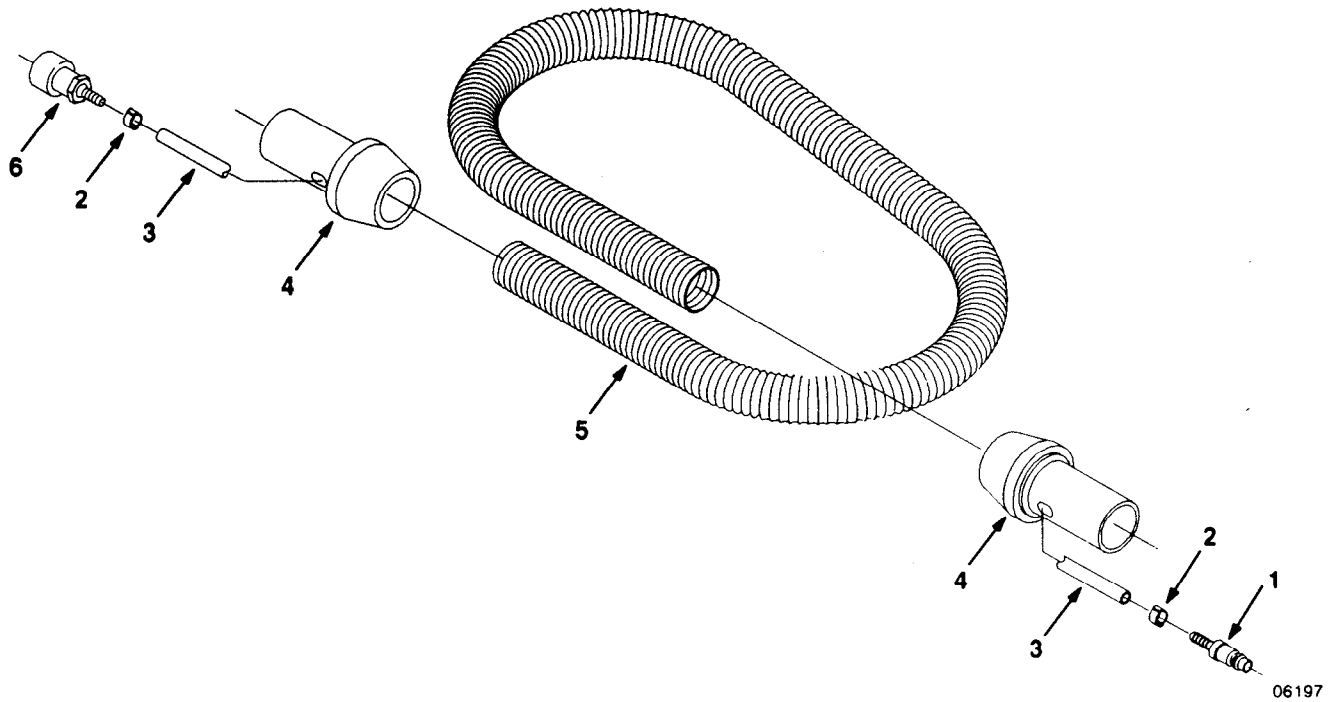


Fig. 12 - Hose Assembly

06197

Key	Tennant Trend Part Number	Machine Serial Number	Description	Qty.
	578-903-000	(000000- )	Hose Assy	1
1	578-318-000	(000000- )	Fitting, Quick Conn, Male, .375", 1/4"H	1
2	578-160-000	(000000- )	Clamp, Hose, 11-13MM OD, Crimp, SS	2
3	578-820-000	(000000- )	Hose	1
4	578-072-000	(000000- )	Cuff, Swivel, 38.1 Dia., Black	2
5	578-276-000	(000000- )	Hose, Vac, Dia 38.1 X 3.05M, Grey	1
6	578-071-000	(000000- )	Quick Conn, Female, 1/4" X 1/4"H	1

# 170ER ELECTRICAL SCHEMATIC

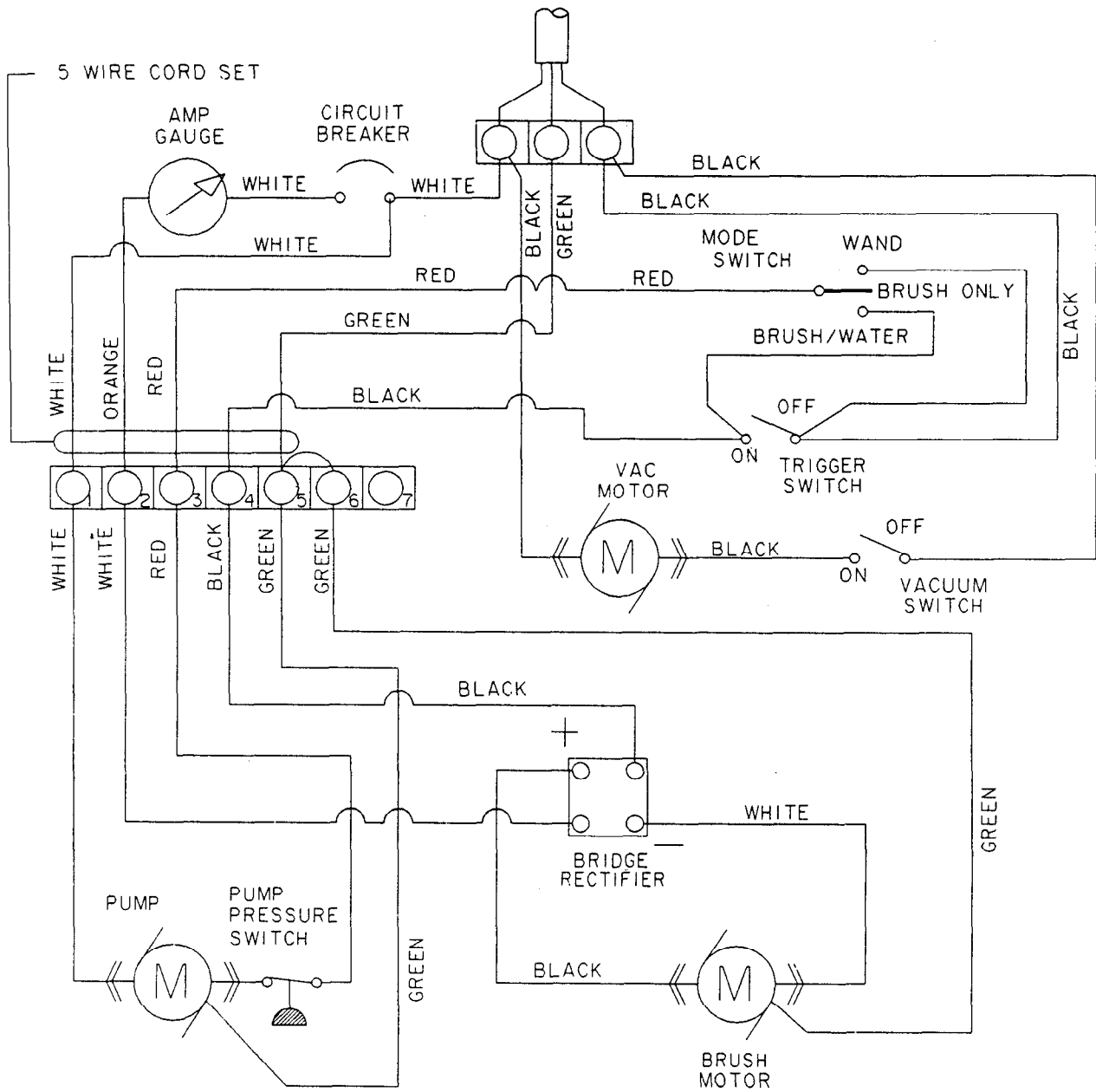


Fig. 13 - Electrical Schematic

06611

# Castex®

Castex Incorporated • A Tennant Company

12875 Ransom Street • Holland, MI 49424 U.S.A.

1-800-522-7839 • 616-786-2330

Fax: 1-800-678-4240 • CUSTOMER SERVICE: 1-800-365-6625