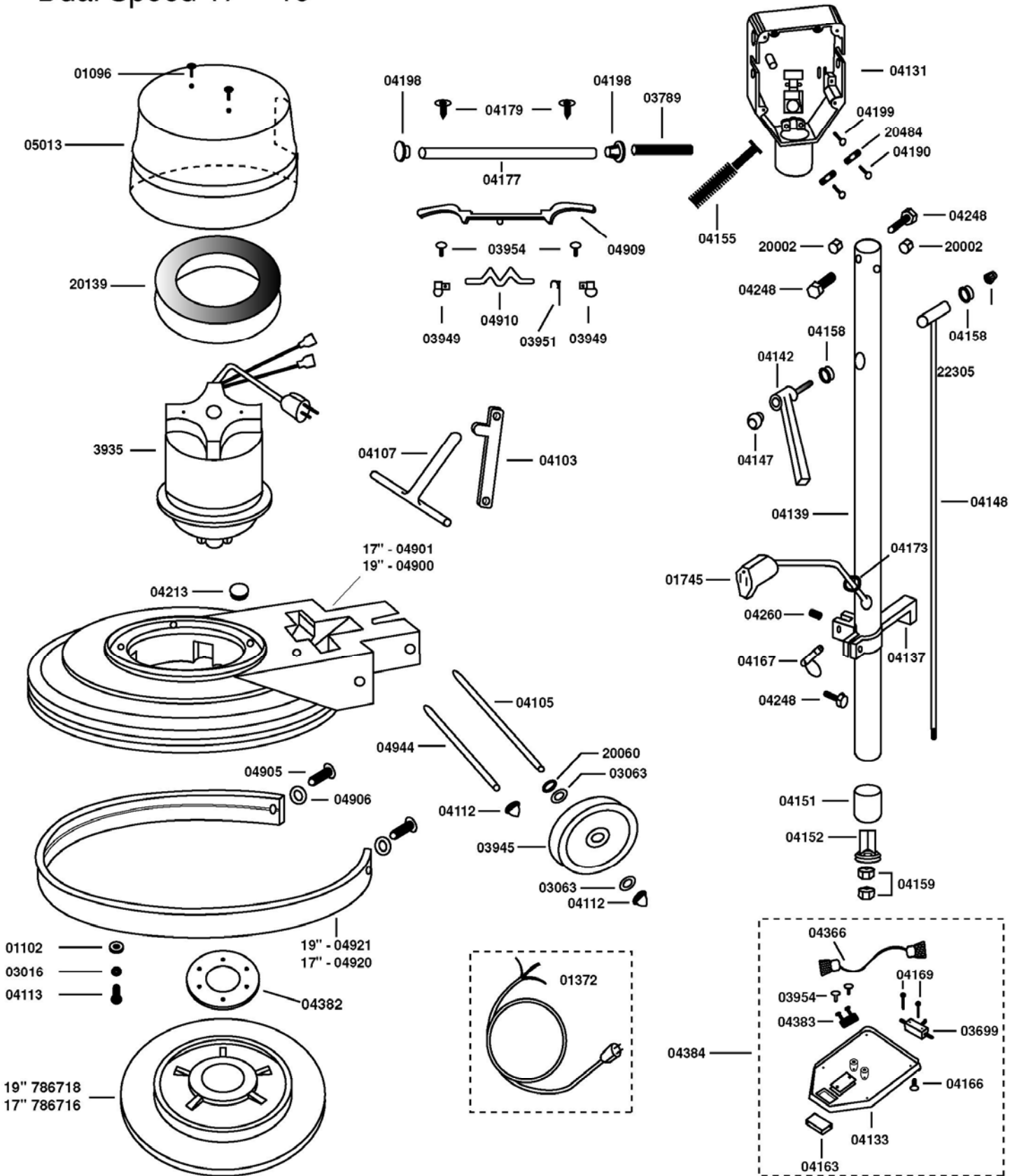


SPECTRA Dual Speed 17" - 19"

July 2001



Spectra Dual Speed 17" - 19"

Parts List

July 2001

Item	Description	Qty Req.	Item	Description	Qty Req.
01096	10-24 X 1/2 PHS Phillips	2	04177	Handle Tube	1
01097	10-24 X 3/4 PHS Phillips	1	04179	#14 - 1-1/2" Type A Screw	2
01102	5/16 Flat Washer	4	04184	Indicator Light	1
01372	Cable 14/3 X 50 FT	1	04190	8-32 X 1/2" Taptite Phillips	4
01745	Pigtail Female 42 In.	1	04193	Switch Box Cover Assy	1
03016	5/16 Spring Lockwasher	4	04198	Handle Tube Plug	2
03063	1/2 in. Nylon Washer	4	04199	8-32 X 1/4 Taptite Phillips	1
03699	Micro SW 1-1/2 HP	1	04213	Water Hole Plug	1
03789	Handle Grip Foam	2	04248	1/4-20 X 3/4 HHCS	3
03935	Motor 1-1/2HP Gearbox	1	04260	5/16 - 18 X 5/16 Set Screw	1
03945	Wheel 5 in. Floor Machine	2	04329	3/8-16 X 5/8 HHCS	4
03949	Knob Safety Switch	2	04332	10-24 X 1/4 SS	1
03951	Spring Safety Swtich	1	04333	14/3 X 75ft Cord Set	1
03954	6-32 X 1/4 Tap Screw	2	04334	5/16 - 18 SHCS	1
04103	Handle Brace Painted	1	04343	Speed Control D/S	1
04105	Axle Shaft Plated	1	04348	#8 X 5/8 PHSMS	3
04107	T-handle Support Paint	1	04366	Lead Wire	1
04112	Axle End Caps	4	04382	Drive Plate	1
04113	5/16-18 X 1-1/2 HBB	4	04905	1/4-20 X 3/4" PHS	2
04131	Switch Box	1	04906	1/4" LG Dia. Washer	2
04133	Switch Box cover	1	04909	Trigger	1
04137	Brace Lock Painted	1	04910	Lever Safety Swtich	1
04139	Handle Tube Plated	1	04920	Bumper 17"	1
04142	Cam Lever Assembly	1	04921	Bumper 19"	1
04147	Heyco Cam Lever Plug	1	04925	Chassis Assembly - 17"	1
04148	Extension Rod Welded	1	04926	Chassis Assembly - 19"	1
04151	Tapered Sleeve	1	04944	T-Support Shaft	1
04152	Wedge Handle	1	04954	Motor Cover	1
04155	Anti-Kink Spring	1	20002	1/4-20 Nyloc Nut	2
04158	Bushing	2	20060	1/2 Tension Washer TW8	6
04159	5/16-18 Nyloc Nut	2	20139	Shroud Filter SM. Wet	1
04163	Hi-Lo Switch	1	20484	Cord Grip - Strain Relief	2
04166	8-32 X 1/4 C Sunk Screw	4	22305	3/8-16 Acorn Nut Flanged	1
04167	Hitch Pin	1	786716	Drive Pad 16"	1
04169	6-32 X 7/8 Taptite Philips	2	786718	Drive Pad 18"	1
04173	Grommet 3/8"	1			