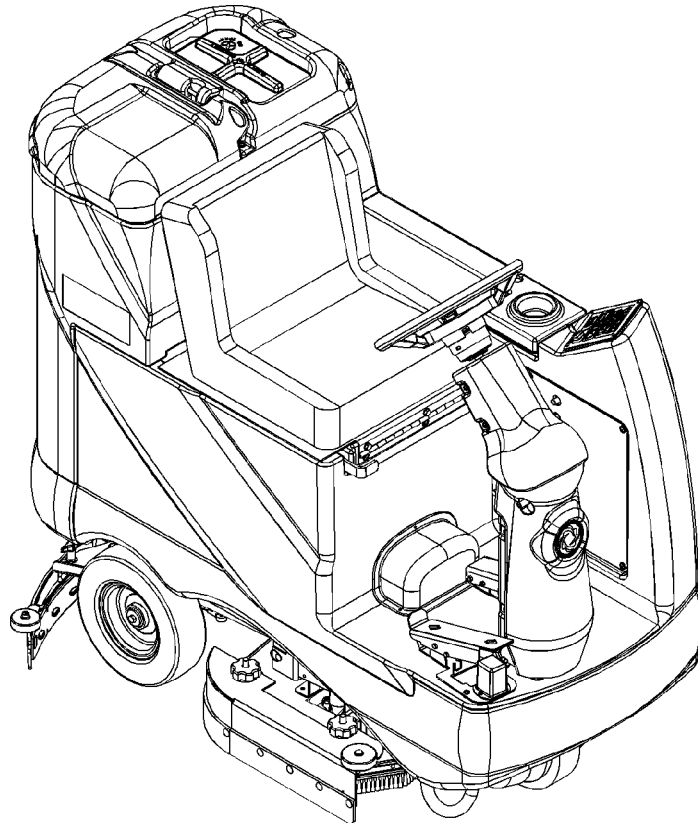


Advenger™, Advenger™ AXP

BR 600S series



PARTS LIST

Advance MODELS 56314000(2400D), 56314001(2600D), 56314002(2810D), 56314003(3210D), 56314004(2400C), 56314005(2600C), 56314006(2810C), 56314007(3210C), 56314994(2810C-AXP), 56314992(2810D-AXP), 56314995(3210C-AXP), 56314993(3210D-AXP)

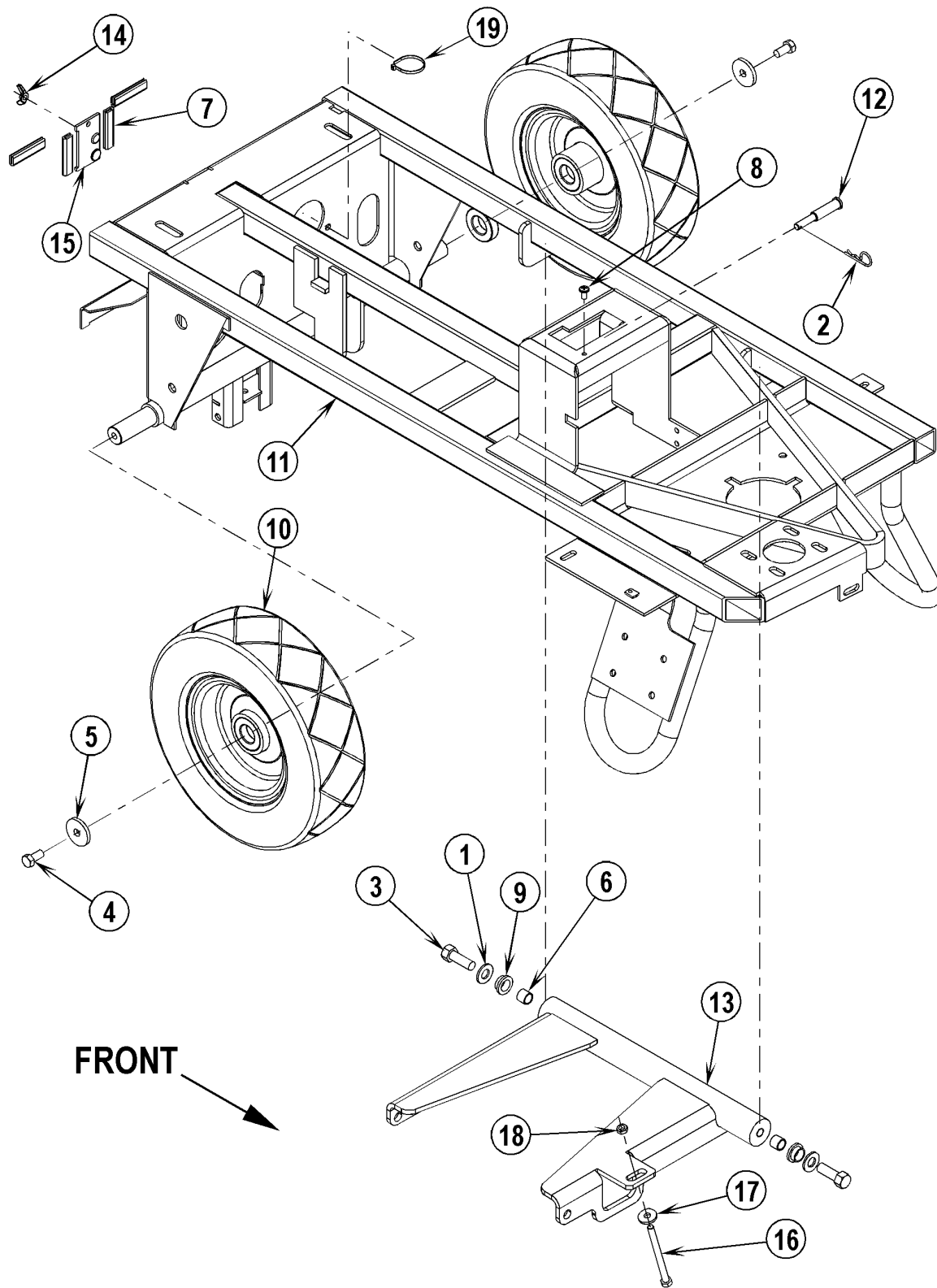
Nilfisk MODELS 56314010(600S), 56314011(650S)(obs.), 56314012(700S), 56314013(800S), 56314014(600SC), 56314015(650SC)(obs.), 56314016(700SC), 56314017(800SC), 56316517(600S EDS), 56316518(600SC EDS), 56314998(700SC EDS), 56314996(700S EDS), 56314999(800SC EDS), 56314997(800S EDS)

DESCRIPTION	PLAN
Chassis System	E-13.3.1-3
Decal System.....	E-13.3.1-5
Detergent Injection System (AXP/EDS).....	E-13.3.1-7
Drive & Brake Pedal Assemblies	E-13.3.1-9
Electrical Panel Assembly.....	E-13.3.1-11
Front Wheel Assembly.....	E-13.3.1-13
Recovery System.....	E-13.3.1-15
Scrub System-Cylindrical.....	E-13.3.1-17
Scrub System-Disk 24", 26", 28".....	E-13.3.1-19
Scrub System-Disk 32".....	E-13.3.1-21
Skirt Assemblies-Cylindrical.....	E-13.3.1-23
Skirt Assemblies-Disk (Before TSBUS2004-884).....	E-13.3.1-25
Skirt Assemblies-Disk (After TSBUS2004-884).....	E-13.3.1-27
Solution System (Standard).....	E-13.3.1-29
Solution System (AXP/EDS).....	E-13.3.1-31
Squeegee Assembly	E-13.3.1-33
Squeegee System.....	E-13.3.1-35
Steering Column Assembly.....	E-13.3.1-37
Battery Watering System	E-13.3.1-39
Wiring Diagram before SN Chart.....	E-13.3.1-41
Wiring Diagram after SN Chart.....	E-13.3.1-43
Brush Selector Guide-Disk.....	E-13.3.1-44
Brush Selector Guide-Cylindrical.....	E-13.3.1-45
Optional Kits And Accessories	E-13.3.1-46

WHEN ORDERING PARTS

- * Use the 8 digit numbers from the "Ref. No." columns in this parts list.
- * Specify the model and serial number of the machine.
- * Use the space below to record the model and serial number for future reference.

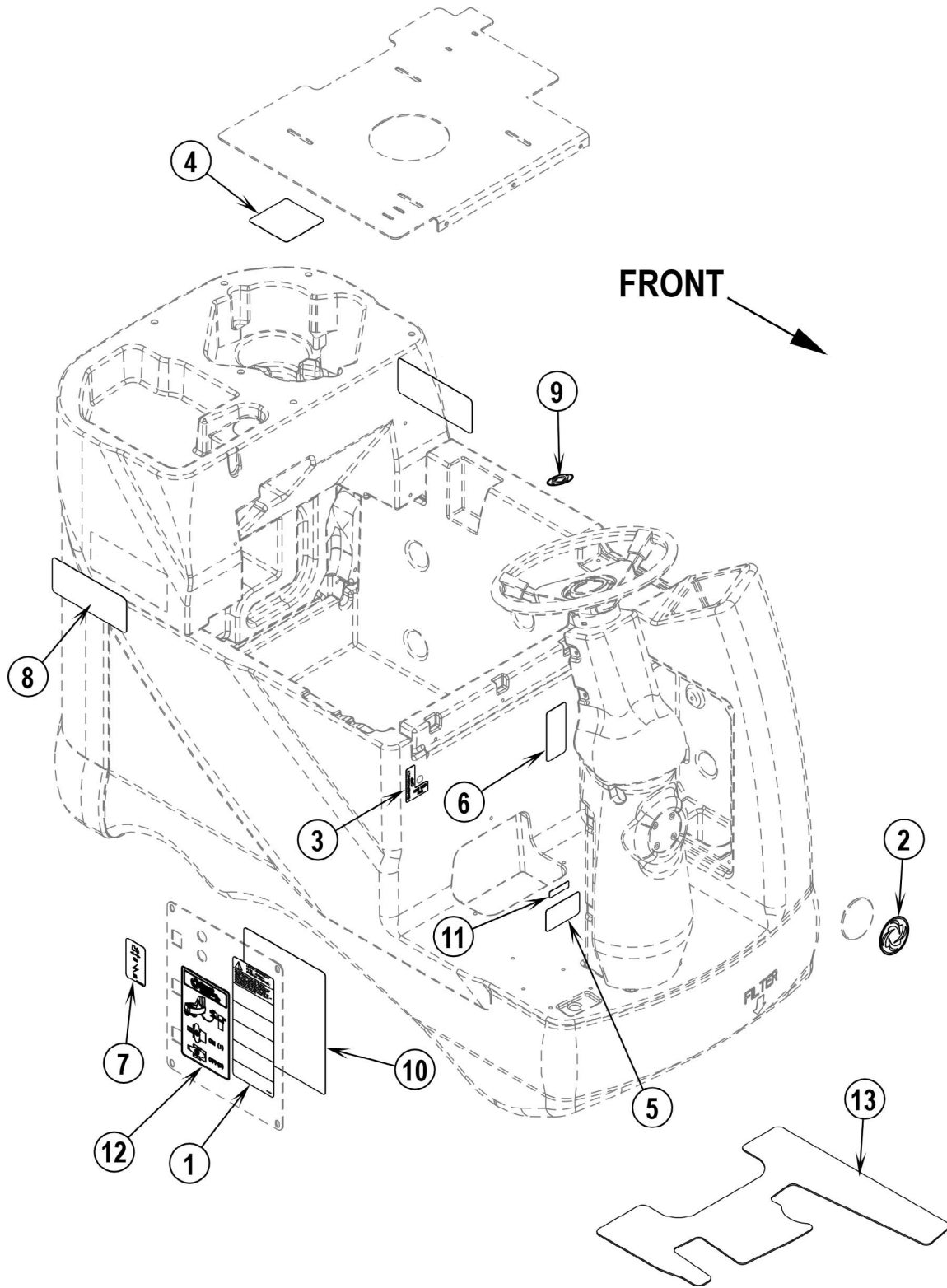
Model _____ Serial No. _____



Item	Ref. No.	Qty	Description
1	56001879	2	Wsh, Flt SAE 1/2
2	56002959	1	Pin, Cotter Hair
3	56003412	2	Scr, Hex Nyl Loc M12-1.25 x 35mm
4	56003442	2	Scr, Hex Nyl Loc M10-1.50 x 20mm
5	56367117	2	Wsh, Flt .406 x 1.50 x .1875
6	56367206	2	Bushing
7	56412122	4	Trim Edge
8	56009062	1	Scr, Pan Phil Thd Form 1/4-20 x .50
9	56420160	2	Bearing, Flange
10	56316540	2	Assembly, Wheel and Bearing (each assembly includes two bearings)
	56412243	4	Bearing, Ball
**	56412341	2	Wheel Assy, Scrubber
11	56314092	1	Weldment, Chassis
12	56314152	1	Pin, Actuator
13	56314495	1	Linkage, Arm Weldment
14	56002084	1	Nut, Wing 1/4-20
15	56314537	1	Squeegee Stop Bracket
16	56002461	1	Scr, Hex Thd To Hd 5/16-18 x 4.00
17	56009122	1	Wsh, Flt .344 x .938 x .125
18	56009086	1	Nut, Hex Jam 5/16-18
19	56478246	1	Tie, Cable
*	56478246	5	Tie, Cable
*	56477613	9	Cable Tie

* = Not Shown

** = Optional



Item	Ref. No.	Qty	Description
1	56014601	1	Decal, Caution
2	56015276	1	Decal, Logo (Advance only)
	56016348	1	Decal, Logo (Nilfisk only)
3	56015179	1	Decal, Emergency
4	56015168	1	Decal, Battery Wiring
5	56016401	1	Decal, Parking Brake
6	56016402	1	Decal, Solution Flow (before TSBUS2004-874)
	56015445	1	Decal, Solution Flow (after TSBUS2004-874) (not used on AXP/EDS models)
7	56016403	1	Decal, Circuit Breaker
8	56016405	2	Decal, Advenger NOTE 1
	56016404	2	Decal, Advenger NOTE 2
	56016637	2	Decal, Advenger AXP
	56016406	2	Decal, Nil sk BR600S NOTE 1
	56016671	2	Decal, Nil sk BR600S NOTE 2
	56016630	2	Decal, Nil sk BR600S EDS
	56016452	2	Decal, Nil sk BR650S NOTE 1
	56016672	2	Decal, Nil sk BR650S NOTE 2
	56016453	2	Decal, Nil sk BR700S NOTE 1
	56016673	2	Decal, Nil sk BR700S NOTE 2
	56016631	2	Decal, BR 700S EDS
	56016454	2	Decal, Nil sk BR800S NOTE 1
	56016674	2	Decal, Nil sk BR800S NOTE 2
	56016632	2	Decal, BR 800S EDS
9	56015281	1	Decal, Logo 2 Inch (Advance only)
	56016421	1	Decal, Logo 2 Inch (Nilfisk only)
10	56016667	1	Decal, Ladder Diagram NOTE 3
	56016746	1	Decal, Ladder Diagram NOTE 4
11	56014450	1	Decal, Patent Number
12	56016407	1	Decal, Smart Solutions (Advance model) NOTE 1
	56016455	1	Decal, ECO Solutions (Nil sk models) NOTE 1
13	56314876	1	Floor Mat (Nilfisk only after Sept. 2004)

NOTE 1: Used on machines built after serial number chart (ECO Solution & Smart Solution implemented).

NOTE 2: Used on machines built before serial number Chart A.

NOTE 3: Used on machines built before serial number Chart B.

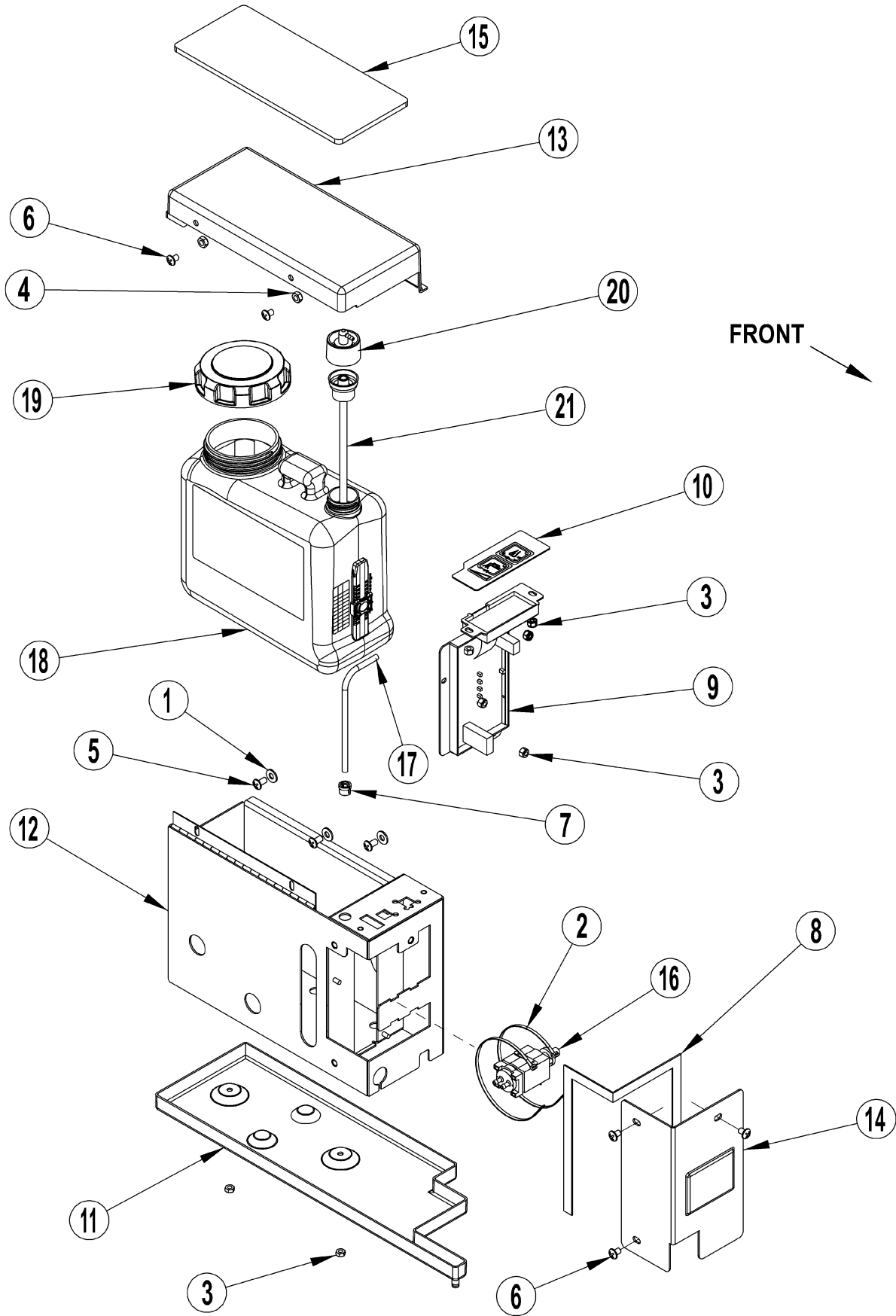
NOTE 4: Used on machines built after serial number Chart B.

NOTE 1 & 2 SERIAL NUMBER CHART "A"

1750239 - Advenger™ 2400D
 1757986 - Advenger™ 2810D
 1757999 - Advenger™ 3210D
 1759162 - Advenger™ 2400C
 1750252 - Advenger™ 2600C
 1758000 - Advenger™ 2810C
 1758002 - Advenger™ 3210C
 1752024 - BR 600S
 1752041 - BR 700S
 1752046 - BR 800S
 1752052 - BR 600SC
 1752054 - BR 700SC
 1753522 - BR 800SC

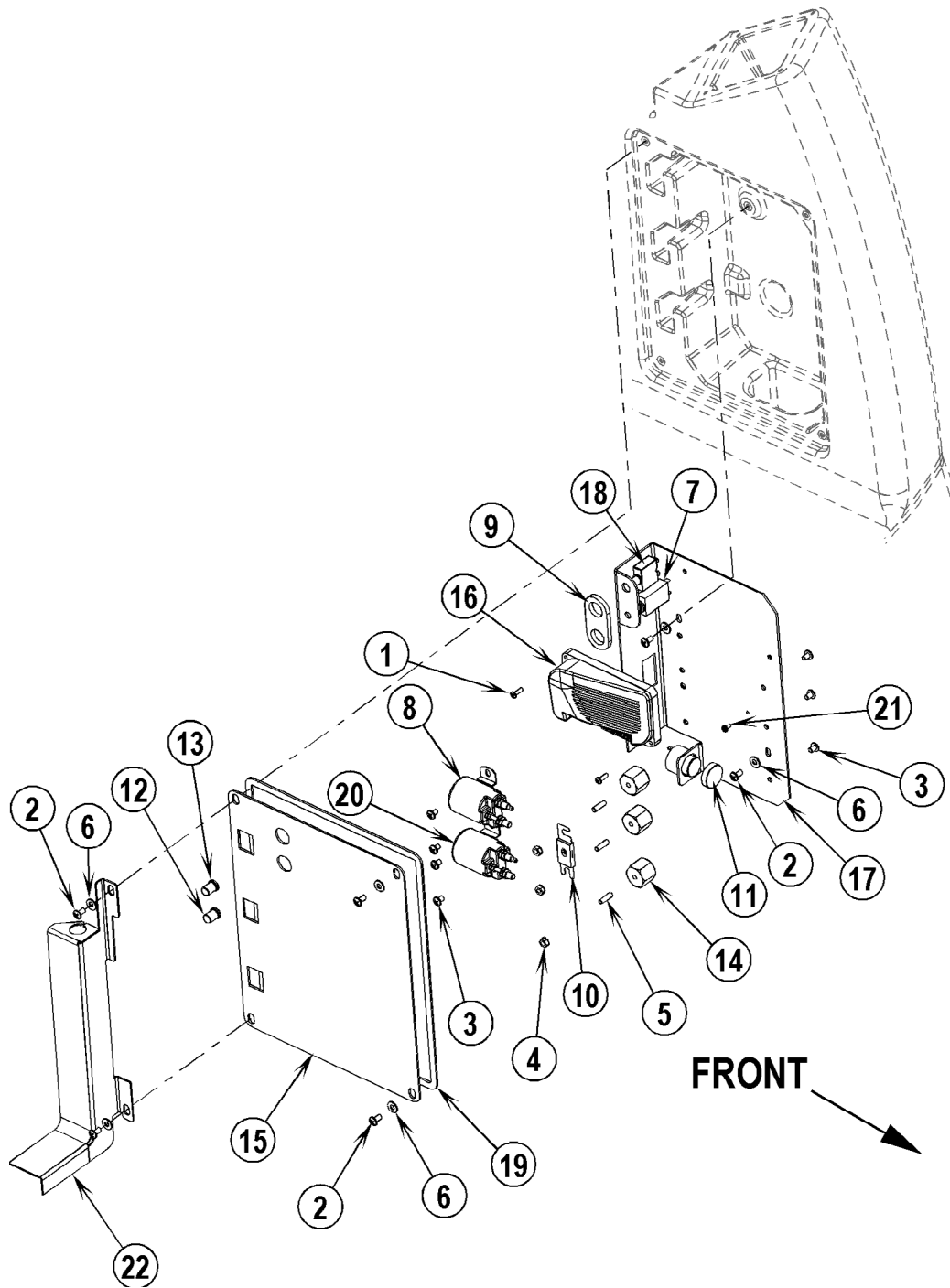
NOTE 3 & 4 SERIAL NUMBER CHART "B"

1837726 - Advenger™ 2400D
 1839732 - Advenger™ 2600D
 1837203 - Advenger™ 2810D
 1837599 - Advenger™ 3210D
 1839732 - Advenger™ 2400C
 1839732 - Advenger™ 2600C
 1837200 - Advenger™ 2810C
 1837197 - Advenger™ 3210C
 1837616 - BR 600S
 1837623 - BR 700S
 1839156 - BR 800S
 1837650 - BR 600SC
 1837652 - BR 700SC
 1839732 - BR 800SC

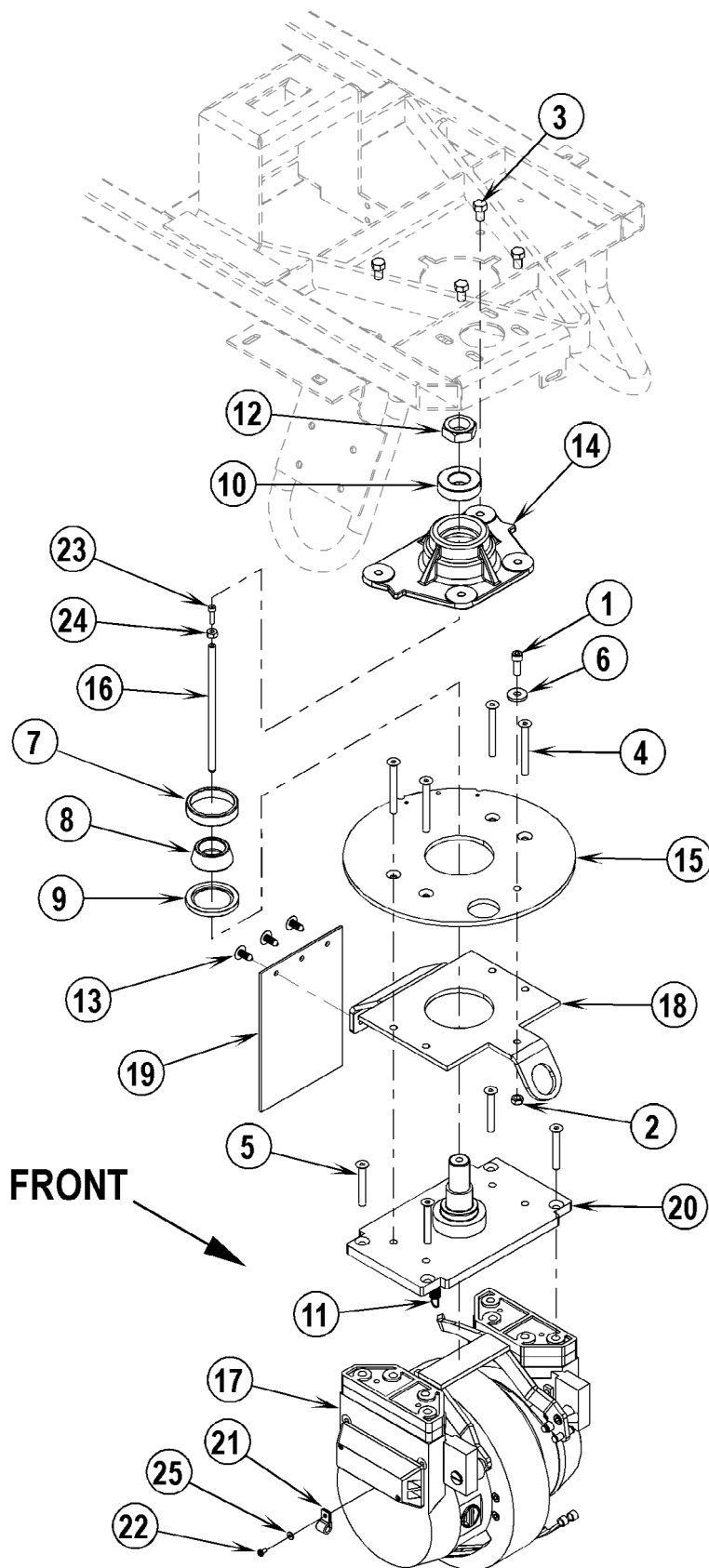


Item	Ref. No.	Qty	Description
	56316537	1	Detergent Injection Assembly (items 1-21) TSBUS2006-922
1	56009025	3	Wsh, Flt .266 x .750 x .036
2	56478523	2	Tie, Cable
3	56002832	8	Nut, Hex Nyl Loc-Thin 10-24
4	56002840	2	Nut, Hex Nyl Loc-Thin 1/4-20
5	56002145	3	Scr, Pan Phil 1/4-20 x .50
6	56003580	5	Scr, Pan Phil SS 1/4-20 x .38
7	56003699	1	Bushing, 1/4 ID Snub
8	56200754	1	Gasket, Strip
9	56316110	1	Control Assembly TSBUS2006-922
10	56314937	1	Control Decal
11	56314939	1	Tray, Detergent
12	56314944	1	Weldment, Detergent Box
13	56314945	1	Cover, Detergent
14	56314946	1	Cover, Pump
15	56314953	1	Pad, Detergent
16	56314984	1	Pump, Detergent
17	56314991	1	Hose, Chem Resistant 14"
18	56315502	1	Chemical Bottle Assy.
	56315511	1	Indicator Assy
19	56315517	1	Cap, Raw
20	56315523	1	Cap, Dry Break, 1/8 Barb, 90°
21	56315527	1	Insert, Dry Break

Item	Ref. No.	Qty	Description
1	56002733	1	Scr, Pan Phil 10-24 x .88
2	56002768	1	Nut, Hex Nyl Loc 10-24
3	56003358	1	Scr, Hex M6-1.00 x 25mm
4	56003403	6	Nut, Hex Nyl Loc M6-1.00
5	56003428	4	Scr, Hex M6-1.00 x 75mm
6	56009030	2	Scr, Pan Phil Thd Form 10-24 x .38
7	56009060	3	Wsh, Flt SS .260 x 1.000 x .074
8	56324505	1	Bearing, Flange
9	56368989	1	Bushing
10	56409378	1	Spacer, Nylon
11	56409471	1	Lever, Throttle
12	56409610	1	Link Weldment
13	56412094	1	Housing, Potentiometer
14	56454740	1	Potentiometer, 5K (R1)
15	56314037	1	Spring, Torsion
16	56314038	1	Bracket, Foot Pedal
17	56314039	1	Foot Pedal
18	56314121	1	Bracket, Brake
19	56314122	1	Lock, Brake
20	56314138	1	Mat, Pedal
21	56314176	1	Mat, Pedal
22	56314463	1	Pedal Weldment
23	56412331	1	Wire Assy.
24	56756318	2	Bearing, Flange
25	56002098	6	Wsh, Flt SAE 1/4
26	56003119	7	Scr, Pan Phil SS 1/4-20 x .50
27	56314561	1	Bushing
28	56003174	1	Scr, Hex Thd to Hd M6-1.0 x 16mm
29	56003268	1	Ring, Ret Ext Type E Reinf. 0.25 Dia



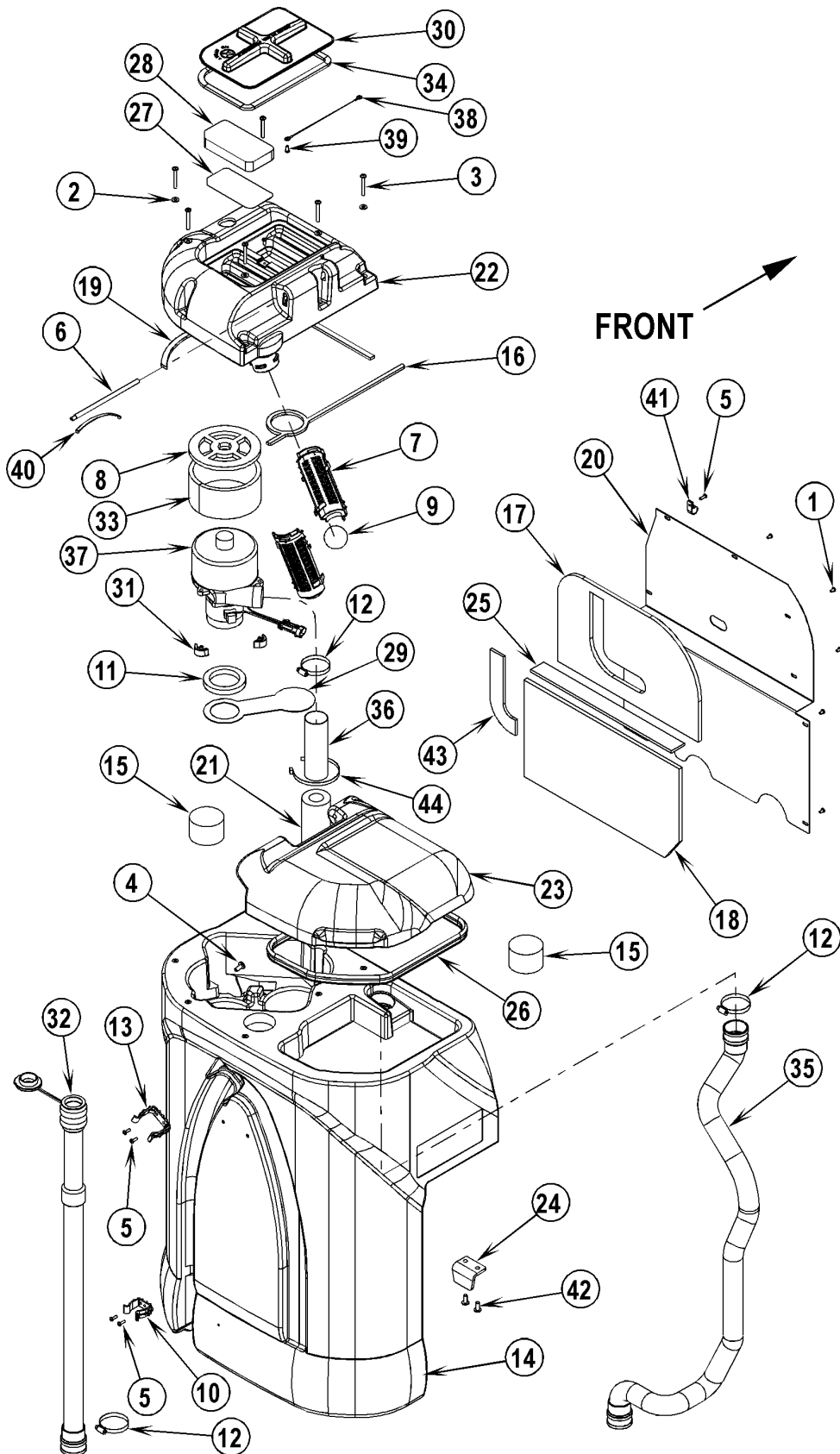
Item	Ref. No.	Qty	Description
1	56002192	2	Scr, Pan Phil 10-24 x .75
2	56003119	6	Scr, Pan Phil SS 1/4-20 x .50
3	56002462	7	Scr, Pan Phil 1/4-20 x .38
4	56002561	3	Nut, Hex W/SHPRF 1/4-20
5	56009020	3	Stud
6	56002098	6	Wsh, Flt SAE 1/4
7	56387316	1	Circuit Breaker, 10 Amp (Control Circuit / F3)
8	56395450	1	Contactora (Brush Drive / K1)
9	56407193	1	Gasket
10	56412089	1	Fuse, 150 Amp (F1)
11	56412177	1	Horn / Backup Alarm (H1)
12	56459367	1	Boot, Reset Button
13	56459369	1	Boot, Reset Button
14	56469858	3	Standoff, Insulated
15	56314065	1	Cover, Electrical
16	56314067	1	Controller (A1)
17	56314068	1	Electrical Panel
18	56364294	1	Circuit Breaker, 45 Amp (Wheel Drive / F2)
19	56407169	1	Gasket
20	56395450	1	Contactora (Vacuum System / K2)
21	56009051	1	Scr, Pan Phil Thd Form 8-32 x .38
22	56314956	1	Weldment, Harness Guide (Detergent Injection models only)



Item	Ref. No.	Qty	Description
1	56002158	1	Scr, Soc Hd 5/16-18 x .88
2	56002826	1	Nut, Hex Nyl Loc-Thin 5/16-18
3	56003040	4	Scr, Hex Hd Loc 3/8-16 x .62
4	56003273	4	Scr, Soc Hd M8-1.25 x 70mm
5	56003274	4	Scr, Soc Hd M8-1.25 x 55mm
6	56009122	1	Wsh, Flt .344 x .938 x .125
7	56158143	1	Bearing Cup
8	56158151	1	Bearing Cone
9	56171081	1	Seal, Shaft
10	56378380	1	Bearing, Ball
11	56481699	1	Spring
12	56003220	1	Nut, Hex Nyl Loc-Thin 1-14 UNF
13	56003263	3	Rivet, Nylon Tree Push-In
14	56314032	1	Block, Bearing
15	56314116	1	Plate, Steering
16	56314157	1	Rod, Brake
17	56314268	1	Motor / Drive Wheel Assy (M3) TSBUS2004-869
*	56314920	1	Drive Wheel Harness Kit TSBUS2004-869
*	56314282	1	Brake Lever Weldment
*	56314289	1	Brake Band
*	56412320	1	Carbon Brush Cover Kit (contains 4 seal rings & 4 brush covers)
*	56412321	1	Sealing Ring
*	56412322	1	Bearing, Ball, Gearbox Side
*	56412323	1	Bearing, Ball, Brush Side
*	56412325	1	Carbon Brush Kit
*	56314291	1	Brake Bar
*	56314370	4	Spacer Block
*	56314269	1	Drive Wheel – P7 Scrubber Compound
**	56412339	1	Drive Wheel – Polyurethane
18	56314278	1	Plate, Splash Guard
19	56314283	1	Splash Guard
20	56314085	1	Spindle Weldment TSBUS2005-913
21	56305317	1	Clamp, P
22	56003653	1	Scr, Pan Phil M4 x 8
23	56003659	1	Scr, Button Soc SS 10-24 x .75
24	56009293	1	Nut, Hex Machine SS 10-24
25	56002006	1	Wsh, Flt SAE #6

* = Not Shown

** = Optional



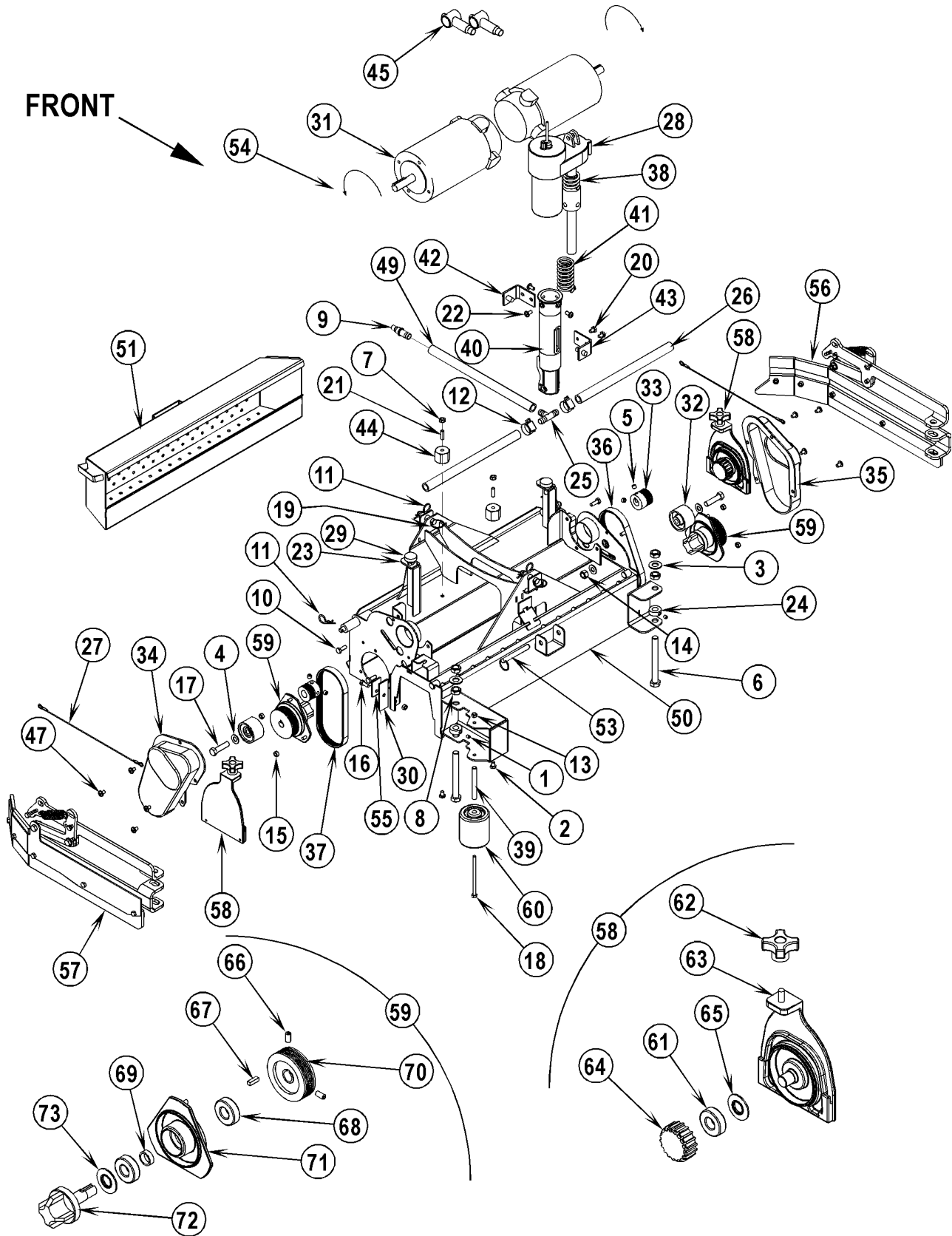
Item	Ref. No.	Qty	Description	NOTE 1 & 2 SERIAL NUMBER CHART
1	56002043	8	Scr, Pan Phil 10-24 x .38	1750239 - Advenger™ 2400D
2	56002098	7	Wsh, Flt SAE 1/4	1757986 - Advenger™ 2810D
3	56002108	6	Scr, Pan Phil 1/4-20 x 2.00	1757999 - Advenger™ 3210D
4	56002793	1	Scr, Pan Phil 5/16-18 x .75	1759162 - Advenger™ 2400C
5	56002896	5	Scr, Pan Phil SS 10-24 x .62	1750252 - Advenger™ 2600C
6	56314115	1	Pin, Cover Pivot	1758000 - Advenger™ 2810C
7	56324497	2	Cage, Float	1758002 - Advenger™ 3210C
8	56314704	1	Gasket	1752024 - BR 600S
9	56391690	1	Ball, Float	1752041 - BR 700S
10	56407361	1	Clamp, Plastic	1752046 - BR 800S
11	56314760	1	Gasket, Vacuum Duct	1752052 - BR 600SC
12	56440213	3	Clamp, Hose SAE #32	1752054 - BR 700SC
13	56212236	1	Clamp, Plastic	1753522 - BR 800SC
14	56314036	1	Tank, Recovery	
15	56314098	2	Foam Cylinder	
16	56314099	1	Gasket	
17	56314100	1	Muf er, Top Panel	
18	56314101	1	Muf er, Bottom Panel	
19	56314103	1	Gasket	
20	56314749	1	Cover, Exhaust NOTE 1	
21	56391807	1	Foam Acoustical NOTE 2	
22	56314201	1	Cover, Vac Motor	
23	56314203	1	Lid, Recovery	
24	56314220	2	Tank Mount Bracket	
25	56314706	1	Foam, Sound NOTE 2	
26	56314371	1	Gasket	
27	56314372	1	Screen, Filter	
28	56314373	1	Filter	
29	56314376	1	Plate, Separator	
30	56314461	1	Lid, Vac Filter	
31	56314484	3	Mount, Vibration	
32	56314487	1	Drainhose	
33	56314488	1	Muf er, Vac	
34	56314491	1	Gasket	
35	56314533	1	Vac Hose Assy	
36	56458457	1	Hose, Vac 2.00 x 6.0 x 975018 NOTE 2	
37	56397228	1	Motor, Vac 36VDC (M5 / Advance)	
*	56212223	1	Carbon Brush Set	
	56410065	1	Vac Motor Assy (M5 / Nilfisk)	
*	56212223	1	Carbon Brush Set	
38	56314400	1	Wire Rope, 9 Inch	
39	56009191	2	Scr, Pan Phil Plastite 10-14 x .50	
40	56314509	1	Spring	
41	56385564	1	Clamp, P	
42	56002507	4	Scr, Pan Phil 1/4-20 x .75	
43	56314705	1	Foam, Sound NOTE 2	
44	56477613	1	Tie, Cable NOTE 2	
*	56314251	1	Harness Vac	

* = Not Shown

NOTE 1: 56314749 replaces previous parts 56314199 and 56314200 after serial number chart.

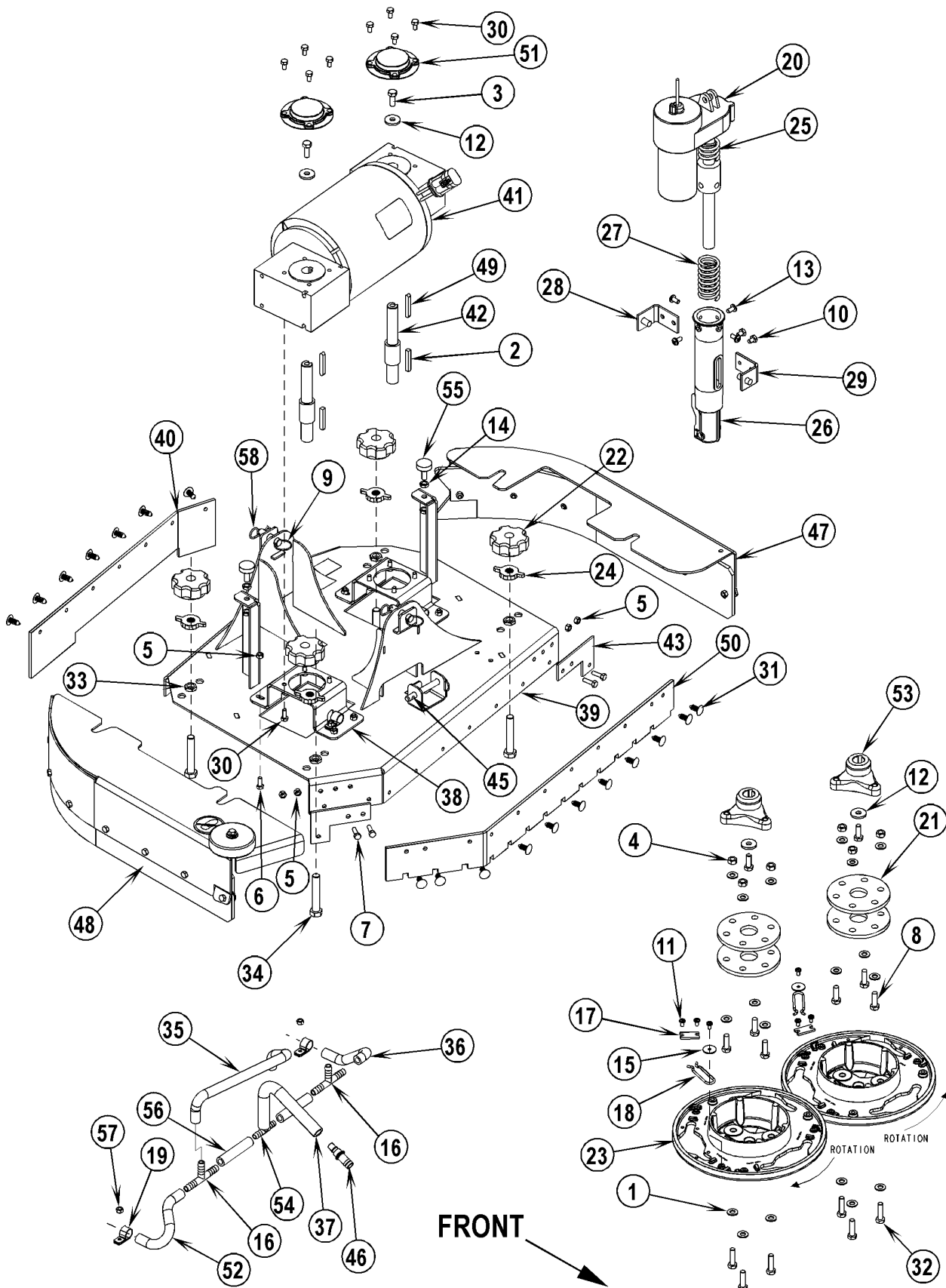
NOTE 2: Used on machines built after serial number chart.

FRONT



Item	Ref. No.	Qty	Description	Item	Ref. No.	Qty	Description
1	56001841	2	Scr, Soc Set Loc 1/4-20 x .25	39	56412176	1	Bushing
2	56001861	2	Scr, Hex Hd 1/4-20 x .38	40	56412262	1	Housing, Spring
3	56001879	2	Wsh, Flt SAE 1/2	41	56420018	1	Compression Spring
4	56002063	4	Wsh, Flt SAE 3/8	42	56420019	1	Nut Retainer
5	56002086	4	Scr, Soc Set Loc 5/16-18 x .25	43	56420020	1	Nut Retainer
6	56002484	2	Scr, Hex Hd 1/2-13 x 4.50	44	56469858	2	Standoff, Insulated
7	56002561	2	Nut, Hex W/SHPRF 1/4-20	45	56493357	2	Insulator, Terminal
8	56002843	4	Nut, Hex Nyl Loc-Thin 1/2-13	47	56003603	8	Scr, Pan Phil Thd Form 1/4-20 x .38mm
9	56314310	1	Coupling, Quick Disconnect, Male (only before TSBUS2005-888)	48			Serial Plate
10	56002948	6	Scr, Hex Hd Loc 1/4-20 x .75	49	56409462	1	Tube, Solution, Main
11	56002959	4	Pin, Cotter Hair	50	56316568	1	Housing Weld't, 24" TSBUS2003-854 / TSBUS2005-899
12	56112771	2	Clamp, Hose		56316569	1	Housing Weld't, 26" TSBUS2003-854 / TSBUS2005-899
13	56003403	1	Nut, Hex Nyl Loc M6-1.00		56316570	1	Housing Weld't, 28" TSBUS2003-854 / TSBUS2005-899
14	56003406	2	Nut, Hex Nyl Loc M10-1.50		56316571	1	Housing Weld't, 32" TSBUS2003-854 / TSBUS2005-899
15	56003426	8	Nut, Hex Nyl Loc SS M6-1.00	51	56314226	1	Hopper Weld't, 24"
16	56003431	2	Scr, Hex Hd SS M6-1.00 x 16mm		56314232	1	Hopper Weld't, 26"
17	56003491	2	Scr, Hex M10-1.50 x 40mm		56397442	1	Hopper Weld't, 28"
18	56003492	1	Scr, Hex M6-1.00 x 95mm		56397443	1	Hopper Weld't, 32"
19	56003671	2	Pin, Ring .50 x 1.25	52	56314254	1	Harness, Brush Motor (Not Shown)
20	56009019	2	Scr, Hex Thd Form 1/4-20 x .38	53	56314294	1	Pin, Hitch Cotterless
21	56009020	2	Stud	55	56314436	2	Strap
22	56009062	4	Scr, Pan Phil Thd Form 1/4-20 x .50	56	56314443	1	Left Skirt Assy
23	56009086	4	Nut, Hex Jam 5/16-18	57	56314444	1	Right Skirt Assy
24	56152811	2	Collar	58	56314445	2	Idler End Assy (#61-65)
25	56262549	1	Tee, Barb	59	56407559	2	Drive End Assy (#66-73)
26	56316555	2	Manifold, PVC 24	60	56412459	1	Wheel
	56316554	2	Manifold, PVC 26	61	56106070	1	Bearing, Ball
	56316553	2	Manifold, PVC 28	62	56407303	1	Knob
	56316552	2	Manifold, PVC 32	63	56315447	1	Idler Bearing Plate
27	56330391	2	Wire Rope, 12"	64	56407551	1	Hub
28	56393303	1	Lift Actuator, Brush (M1)	65	56407558	1	Washer, Bearing
*	56470433	1	Carbon Brush Kit	66	56002119	2	Scr, Soc Set Loc 1/4-20 x .50
*	56393790	2	Limit Switch	67	56003237	1	Key, Sq. .19 x .62
*	56388520	1	Plastic Nut	68	56106070	2	Bearing, Ball
29	56401783	2	Leveler	69	56407389	1	Spacer
30	56407391	2	Blade	70	56407442	1	Sheave, Poly-V
31	56407431	2	Motor, 36VDC, .75HP (M7 / M8)	71	56315405	1	Bearing Plate
			TSBUS2004-868	72	56407557	1	Spindle
			Armature	73	56407558	1	Washer, Bearing
*	56417489	1	Bearing				
*	56407490	1	Brush Cap Assy				* = Not Shown
*	56407492	1	Carbon Brush Assy				
*	56407493	4	Brush Cover Cap				
32	56407432	2	Idler, Belt				
33	56407433	2	Sheave, Poly-V				
34	56407434	1	Guard, Right Belt				
35	56407435	1	Guard, Left Belt				
36	56407465	1	Belt, Poly-V 180J6				
37	56407466	1	Belt, Poly-V 190J6				
38	56412071	1	Compression Spring				

NOTE: See "BRUSH SELECTOR GUIDE" at back of manual for available scrub brushes.



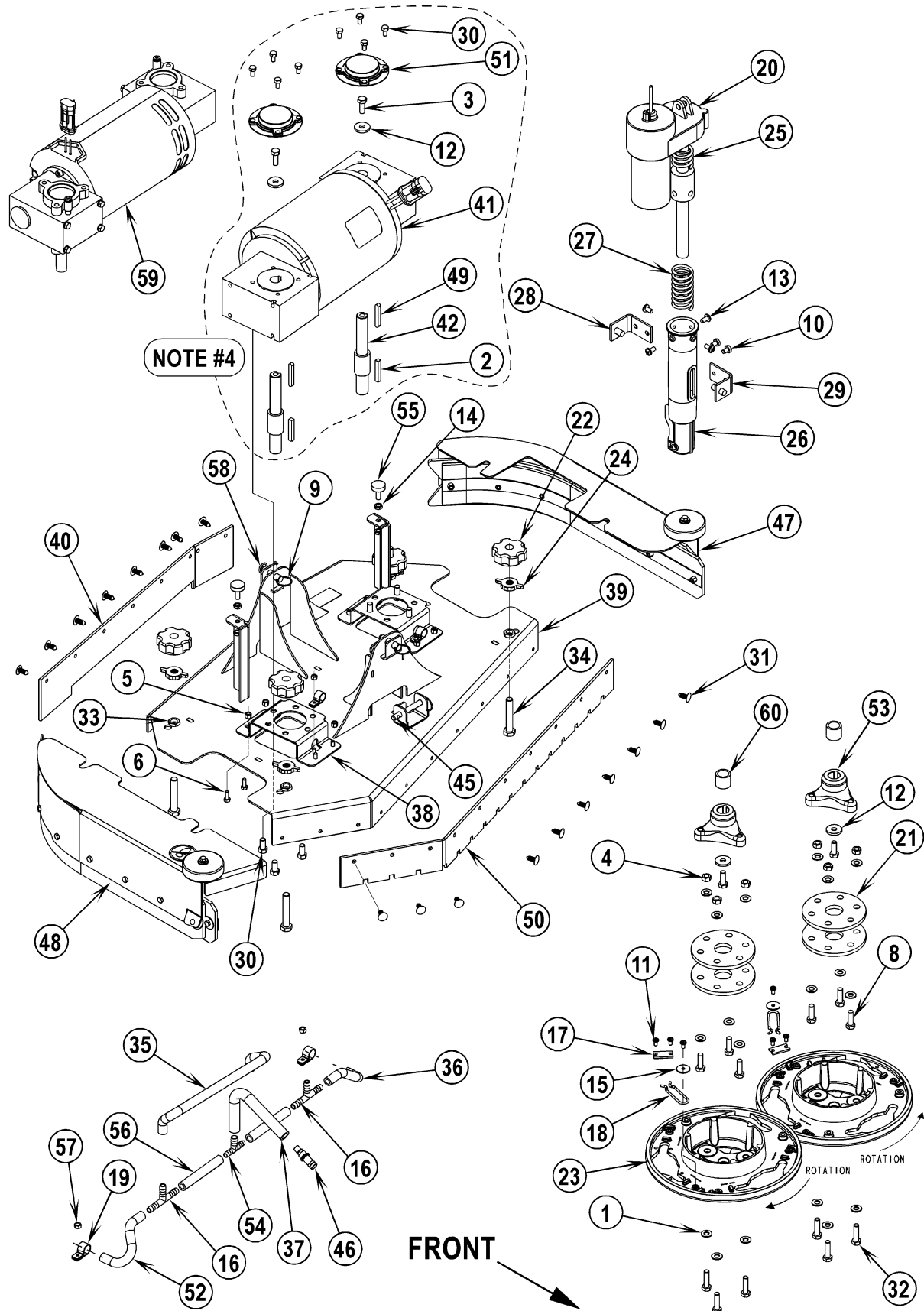
Item	Ref. No.	Qty	Description	Item	Ref. No.	Qty	Description
1	56002938	18	Wsh, Flt SAE SS 5/16	42	56314218	2	Shaft, Hub Mount
2	56003246	2	Key, Sq .25 x 1.62	43	56314261	2	Skirt Bracket, Forward (26" & 28" only)
3	56003335	4	Scr, Hex Loc SS 5/16-18 x .88	44			Intentionally Omitted
4	56003405	6	Nut, Hex Nyl Loc SS M8-1.25	45	56314294	1	Pin, Hitch Cotterless
5	56003426	12	Nut, Hex Nyl Loc SS M6-1.00 (qty 8 on 24")	46	56314310	1	Coupling, Quick Disconnect, Male (only before TSBUS2005-888)
6	56003431	8	Scr, Hex Hd SS M6-1.00 x 16mm	47	56314349	1	Skirt Assy, Left (24", 26", 28" / before TSBUS2004-884)
7	56003443	4	Scr, Hex Hd SS M6-1.00 x 20mm (26" & 28" only)	56314885	1	Skirt Assy, Left (24", 26", 28" / after TSBUS2004-884)	
8	56003477	6	Scr, Hex Loc SS M8-1.25 x 25mm	48	56314350	1	Skirt Assy, Right (All Models / before TSBUS2004-884)
9	56003671	2	Pin, Ring .50 x 1.25	56314884	1	Skirt Assy, Right (All Models / after TSBUS2004-884)	
10	56009019	2	Scr, Hex Thd Form 1/4-20 x .38	49	56314359	2	Key, 6mm Sq. NOTE 4
11	56009030	6	Scr, Pan Phil Thd Form 10-24 x .38	50	-		See Disk Deck Blade Kits below
12	56009057	4	Wsh, Flt Harden .344 x 1.000 x .120/.135	51	56314499	2	Cover, Gearbox NOTE 4
13	56009062	4	Scr, Pan Phil Thd Form 1/4-20 x .50	52	56392277	1	Tube, Solution
14	56009086	4	Nut, Hex Jam 5/16-18	53	56314031	2	Hub, Drive
15	56009096	2	Wsh, Flt .193 x .875 x .060	54	56397300	1	Tee, Barb
16	56249280	2	Tee, Barb	55	56401783	2	Leg Leveler, 5/16-18
17	56366455	2	Plate, Stop	56	56412187	2	Hose, Spiral .375
18	56366463	2	Spring Retainer	57	56002768	2	Nut, Hex Nyl Loc 10-24
19	56385564	2	Clamp, P	58	56002959	2	Pin, Cotter Hair
20	56393303	1	Lift Actuator, Brush (M1)				
*	56470433	1	Carbon Brush Kit				
*	56393790	2	Limit Switch				
*	56388520	1	Plastic Nut	**	56314124	1	24" Disk Deck Blade Kits (before TSBUS2004-884) Kit, Gum Rubber 24 Disk NOTE 2
21	56407053	4	Thermoid Disk	**	56314170	1	Kit, Neoprene 24 Disk NOTE 2
22	56407114	4	Knob	**	56314395	1	Kit, Linatex 24 Disk NOTE 2
23	56314030	2	Brush Holder				26" Disk Deck Blade Kits (before TSBUS2004-884)
24	56407334	4	Knob	**	56314125	1	Kit, Gum Rubber 26 Disk NOTE 2
25	56412071	1	Compression Spring	**	56314171	1	Kit, Neoprene 26 Disk NOTE 2
26	56412262	1	Housing, Spring	**	56314396	1	Kit, Linatex 26 Disk NOTE 2
27	56420018	1	Compression Spring				28" Disk Deck Blade Kits (before TSBUS2004-884)
28	56420019	1	Nut Retainer	**	56314126	1	Kit, Gum Rubber 28 Disk NOTE 2
29	56420020	1	Nut Retainer	**	56314172	1	Kit, Neoprene 28 Disk NOTE 2
30	56003211	16	Scr, Hex Hd SS M6-1.00 x 12mm	**	56314397	1	Kit, Linatex 28 Disk NOTE 2
31	56003263	18	Rivet, Nylon Tree Push-In				
32	56003639	6	Scr, Hex Hd SS M8-1.25 x 30mm				24" Disk Deck Blade Kits (after TSBUS2004-884)
33	56003657	4	Nut, Hex Jam M12-1.75	**	56314911	1	Kit, Gum Rubber 24 Disk NOTE 2
34	56003658	4	Scr, Hex Thd To Hd SS M12-1.75 x 70mm	**	56314915	1	Kit, Linatex 24 Disk NOTE 2
35	56412189	1	Hose, Spiral .375				26" Disk Deck Blade Kits (after TSBUS2004-884)
36	56249682	1	Tube, Solution	**	56314912	1	Kit, Gum Rubber 26 Disk NOTE 2
37	56262180	1	Tube, Spiral .375	**	56314916	1	Kit, Linatex 26 Disk NOTE 2
38	56314053	2	Bracket, Motor				28" Disk Deck Blade Kits (after TSBUS2004-884)
39	56314081	1	Weld't, Disk Deck (24", 26", 28")	**	56314913	1	Kit, Gum Rubber 28 Disk NOTE 2
40	-		See Disk Deck Blade Kits below	**	56314917	1	Kit, Linatex 28 Disk NOTE 2
41	56314139	1	Motor Gearbox Assy (24" / M7)				
	56314140	1	Motor Gearbox Assy (26" / M7)				
	56314141	1	Motor Gearbox Assy (28" / M7)				
*	56314359	2	Key, 6mm Square				
*	56314499	2	Cover, Gearbox				
*	56314560	2	Gearbox				
*	56314580	1	Bearing (Fan End)				
*	56314581	1	Bearing (Brush End)				
*	56314582	1	Brush Ring				
*	56314583	4	Carbon Brush				
*	56314584	1	Safety Hook				

* = Not Shown

** = Optional

NOTE: See "BRUSH SELECTOR GUIDE" at back of manual for available scrub brushes.

NOTE 2: Disk Deck Blade Kits include the mounting fasteners (Rivet, Nylon Tree Push-In 56003263 item 31), the two blades (items 40 & 50) and two blades for use in Skirt Assemblies (items 47 & 48).



Item	Ref. No.	Qty	Description	Item	Ref. No.	Qty	Description
1	56002938	18	Wsh, Flt SAE SS 5/16	42	56314218	2	Shaft, Hub Mount NOTE 4
2	56003246	2	Key, Sq .25 x 1.62 NOTE 4	43			Intentionally Omitted
3	56003335	4	Scr, Hex Loc SS 5/16-18 x .88 (qty of 2 after NOTE 3)	44			Intentionally Omitted
4	56003405	6	Nut, Hex Nyl Loc SS M8-1.25	45	56314294	1	Pin, Hitch Cotterless
5	56003426	8	Nut, Hex Nyl Loc SS M6-1.00	46	56314310	1	Coupling, Quick Disconnect, Male (only before TSBUS2005-888)
6	56003431	8	Scr, Hex Hd SS M6-1.00 x 16mm	47	56314347	1	Skirt Assy, Left (32" / before TSBUS2004-884)
7			Intentionally omitted	56314894	1	Skirt Assy, Left (32" / after TSBUS2004-884)	
8	56003477	6	Scr, Hex Loc SS M8-1.25 x 25mm	48	56314350	1	Skirt Assy, Right (All Models / before TSBUS2004-884)
9	56003671	2	Pin, Ring .50 x 1.25	56314884	1	Skirt Assy, Right (All Models / after TSBUS2004-884)	
10	56009019	2	Scr, Hex Thd Form 1/4-20 x .38	49	56314359	2	Key, 6mm Sq. NOTE 4
11	56009030	6	Scr, Pan Phil Thd Form 10-24 x .38	50	-		See Disk Deck Blade Kits below
12	56009057	4	Wsh, Flt Harden .344 x 1.000 x .120/.135 (qty of 2 after NOTE 3)	51	56314499	2	Cover, Gearbox NOTE 4
13	56009062	4	Scr, Pan Phil Thd Form 1/4-20 x .50	52	56392277	1	Tube, Solution
14	56009086	4	Nut, Hex Jam 5/16-18	53	56314031	2	Hub, Drive NOTE 4
15	56009096	2	Wsh, Flt .193 x .875 x .060	56314108	2	Hub, Drive NOTE 3	
16	56249280	2	Tee, Barb	54	56397300	1	Tee, Barb
17	56366455	2	Plate, Stop	55	56401783	2	Leg Leveler, 5/16-18
18	56366463	2	Spring Retainer	56	56412187	2	Hose, Spiral .375
19	56385564	2	Clamp, P	57	56002768	2	Nut, Hex Nyl Loc 10-24
20	56393303	1	Lift Actuator, Brush (M1)	58	56002959	2	Pin, Cotter Hair
*	56470433	1	Carbon Brush Kit	59	56315704	1	Gearbox Assy (32" / M7) NOTE 3
*	56393790	2	Limit Switch	*	56315711	2	Gearbox
*	56388520	1	Plastic Nut	60	56315705	2	Spacer NOTE 3
21	56407053	4	Thermoid Disk				32" Disk Deck Blade Kits (before TSBUS2004-884)
22	56407114	4	Knob	**	56314127	1	Kit, Gum Rubber 32 Disk NOTE 2
23	56314030	2	Brush Holder	**	56314173	1	Kit, Neoprene 32 Disk NOTE 2
24	56407334	4	Knob	**	56314398	1	Kit, Linatex 32 Disk NOTE 2
25	56412071	1	Compression Spring				32" Disk Deck Blade Kits (after TSBUS2004-884)
26	56412262	1	Housing, Spring	**	56314914	1	Kit, Gum Rubber 32 Disk NOTE 2
27	56420018	1	Compression Spring	**	56314918	1	Kit, Linatex 32 Disk NOTE 2
28	56420019	1	Nut Retainer				
29	56420020	1	Nut Retainer				
30	56003211	16	Scr, Hex Hd SS M6-1.00 x 12mm NOTE 4				* = Not Shown
	56002885	6	Scr, Hex SS 3/8-16 x .75 NOTE 3				** = Optional
31	56003263	18	Rivet, Nylon Tree Push-In				
32	56003639	6	Scr, Hex Hd SS M8-1.25 x 30mm				
33	56003657	4	Nut, Hex Jam M12-1.75				
34	56003658	4	Scr, Hex Thd To Hd SS M12-1.75 x 70mm				
35	56412189	1	Hose, Spiral .375				
36	56249682	1	Tube, Solution				
37	56262180	1	Tube, Spiral .375				
38	56314053	2	Bracket, Motor NOTE 4				
	56315701	2	Bracket, Motor NOTE 3				
39	56314090	1	Weld't, Disk Deck (32")				
40	-		See Disk Deck Blade Kits below				
41	56314335	1	Motor Gearbox Assy (32" / M7) NOTE 4				
*	56314359	2	Key, 6mm Square				
*	56314499	2	Cover, Gearbox				
*	56314560	2	Gearbox				
*	56314580	1	Bearing (Fan End)				
*	56314581	1	Bearing (Brush End)				
*	56314582	1	Brush Ring				
*	56314583	4	Carbon Brush				
*	56314584	1	Safety Hook				

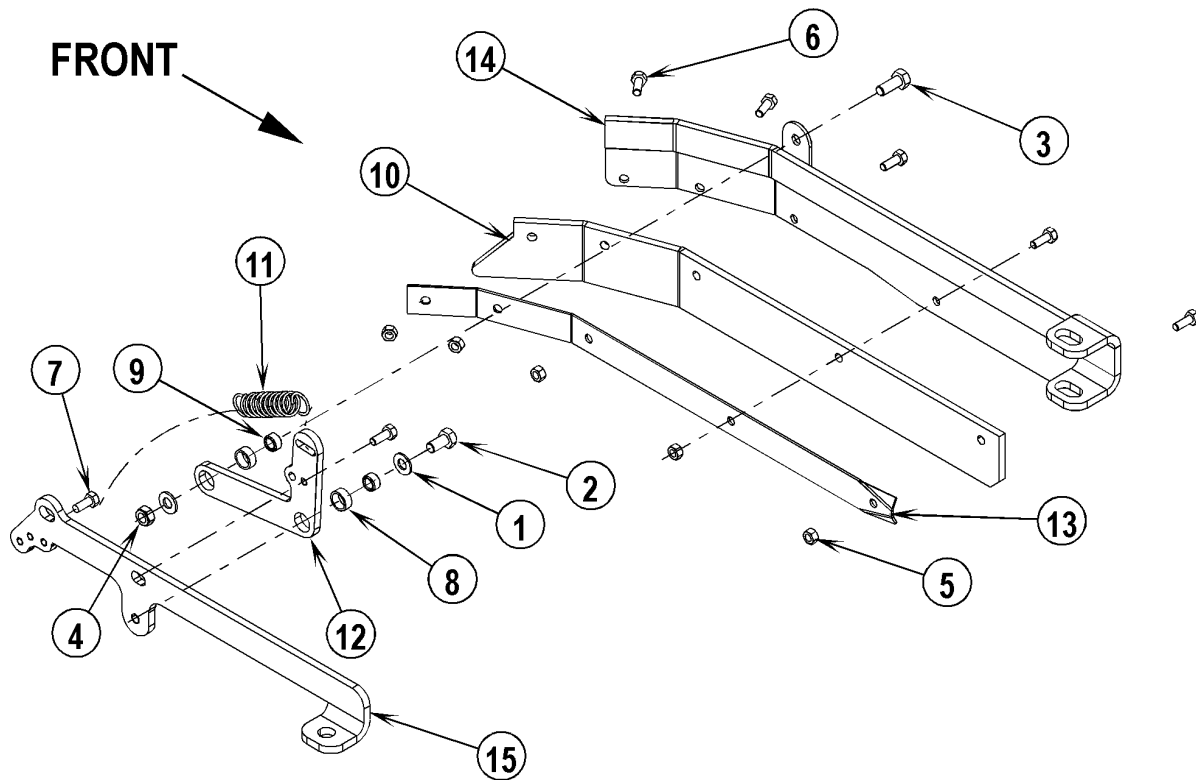
NOTE: See "BRUSH SELECTOR GUIDE" at back of manual for available scrub brushes.

NOTE 2: Disk Deck Blade Kits include the mounting fasteners (Rivet, Nylon Tree Push-In 56003263 item 31), the two blades (items 40 & 50) and two blades for use in Skirt Assemblies (items 47 & 48).

NOTE 3: Only used after serial number 1931775.

NOTE 4: Only used before serial number 1931776.

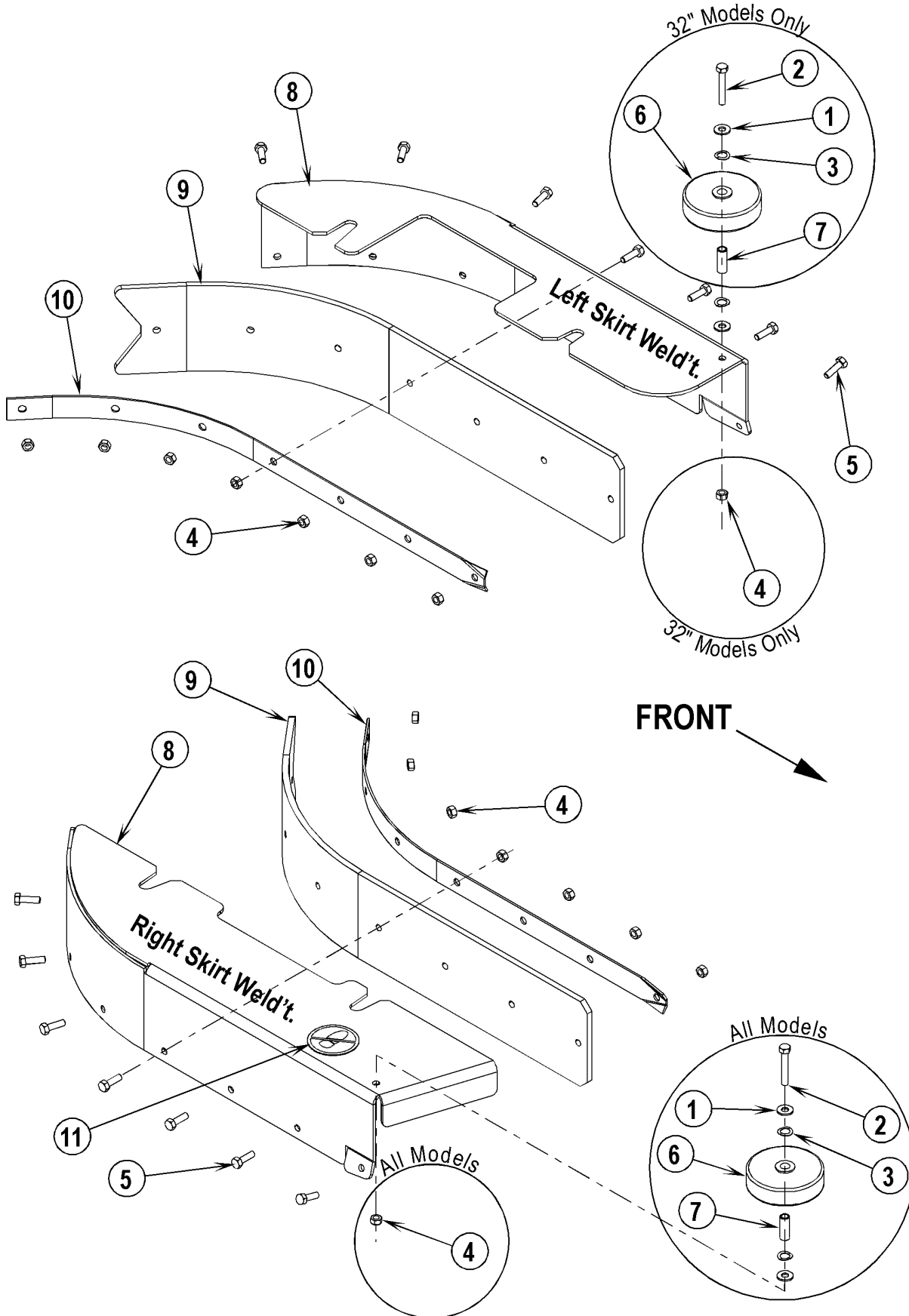
LEFT SKIRT ASSEMBLY SHOWN



Item	Ref. No.	Qty	Description
	56314443	1	Left Skirt Assembly
	56314444	1	Right Skirt Assembly
1	56001939	2	Wsh, Flt SAE 5/16
2	56003178	1	Scr, Hex M8-1.25 x 16mm
3	56003179	1	Scr, Hex Thd To Hd M8-1.25 x 20mm
4	56003389	1	Nut, Hex Nyl Loc M8-1.25
5	56003426	5	Nut, Hex Nyl Loc SS M6-1.00
6	56003431	6	Scr, Hex Hd SS M6-1.00 x 16mm
7	56003441	1	Scr, Hex Nyl Loc M6-1.00 x 15mm
8	56185263	2	Bearing, Sleeve
9	56320595	2	Bushing, .32 x .50 x .28
10	56407447	1	Skirt, Gum Rubber
**	56407392	1	Skirt, Neoprene
**	56410335	1	Skirt
11	56470672	1	Spring, Extension
12	56314435	1	Arm, Mount
13	56314437	1	Retainer, Skirt
14	56314439	1	Skirt Bracket Weld't, Left
	56314438	1	Skirt Bracket Weld't, Right
15	56314440	1	Bracket, Mount, Left
	56314441	1	Bracket, Mount, Right

** = Optional

NOTE: All quantities are for one skirt assembly only, there are two skirt assemblies on the machine.



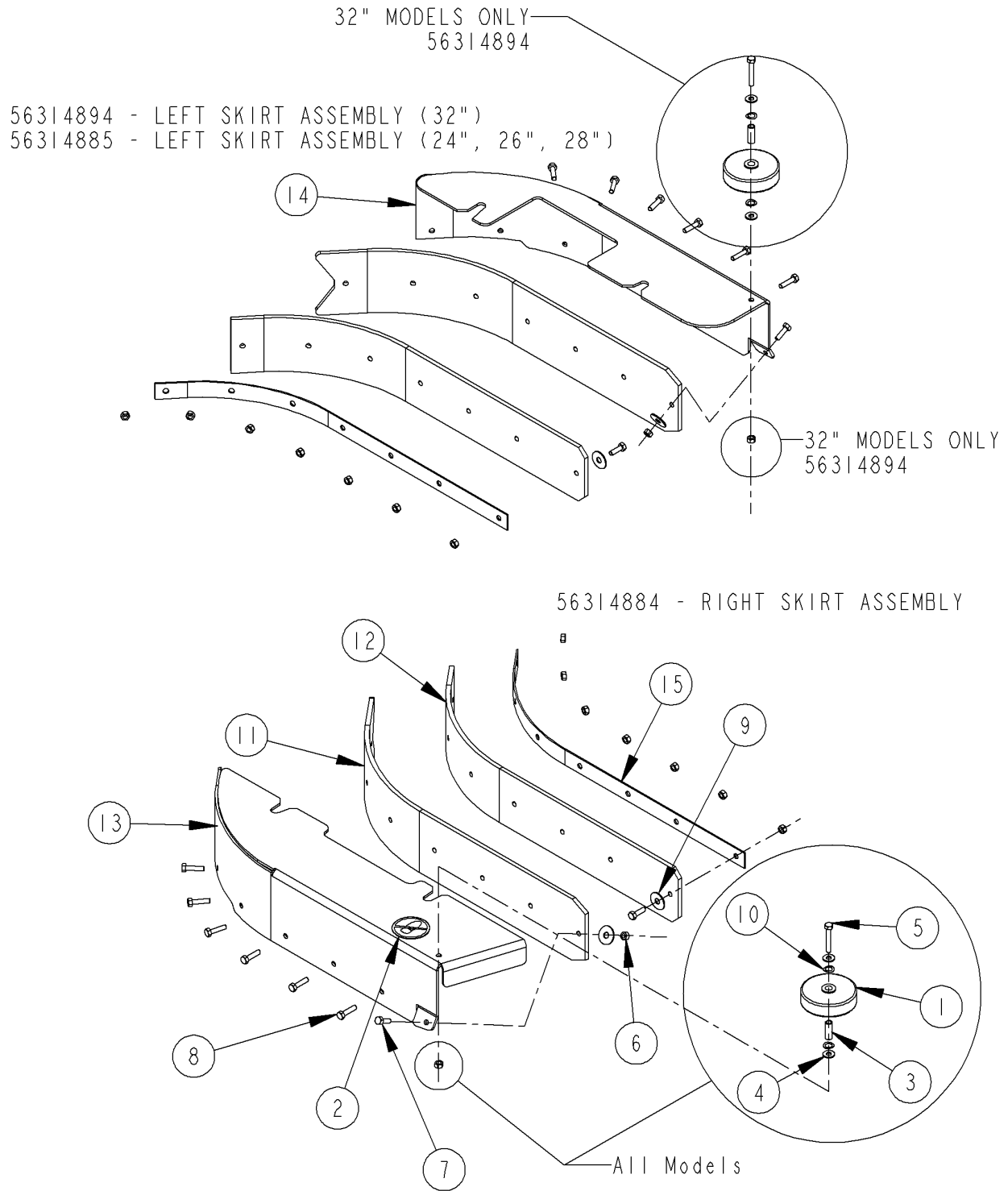
Item	Ref. No.	Qty	Description
	56314347	1	Left Skirt Assembly (32")
	56314349	1	Left Skirt Assembly (24", 26", 28")
	56314350	1	Right Skirt Assembly (All Models)
1	56002098	2	Wsh, Flt SAE 1/4 NOTE 1
2	56003167	1	Scr, Hex M6-1.00 x 40mm NOTE 1
3	56009045	2	Wsh, Bowed .375 x .578 x .060 NOTE 1
4	56003426	8	Nut, Hex Nyl Loc SS M6-1.00
5	56003454	7	Scr, Hex Thd to Hd SS M6-1.00 x 20mm
6	56324499	1	Wheel, 3.00 NOTE 1
7	56471220	1	Bushing NOTE 1
8	56314058	1	Frame, Skirt LH
	56314059	1	Frame, Skirt RH
9	-		See Disk Deck Blade Kits below
10	56314341	1	Retainer, Blade
11	56016163	1	Decal, No Step (Right Skirt Assembly only)
			24" Disk Deck Blade Kits
**	56314124	1	Kit, Gum Rubber 24 Disk NOTE 3
**	56314170	1	Kit, Neoprene 24 Disk NOTE 3
**	56314395	1	Kit, Linatex 24 Disk NOTE 3
			26" Disk Deck Blade Kits
**	56314125	1	Kit, Gum Rubber 26 Disk NOTE 3
**	56314171	1	Kit, Neoprene 26 Disk NOTE 3
**	56314396	1	Kit, Linatex 26 Disk NOTE 3
			28" Disk Deck Blade Kits
**	56314126	1	Kit, Gum Rubber 28 Disk NOTE 3
**	56314172	1	Kit, Neoprene 28 Disk NOTE 3
**	56314397	1	Kit, Linatex 28 Disk NOTE 3
			32" Disk Deck Blade Kits
**	56314127	1	Kit, Gum Rubber 32 Disk NOTE 3
**	56314173	1	Kit, Neoprene 32 Disk NOTE 3
**	56314398	1	Kit, Linatex 32 Disk NOTE 3

** = Optional

NOTE 1: These items are on the Right Skirt Assembly PN 56314350 on all models, but only on the 32" Left Skirt Assembly PN56314347.

NOTE 2: All quantities are for one skirt assembly only, there are two skirt assemblies on the machine.

NOTE 3: Disk Deck Blade Kits include the mounting fasteners (Rivet, Nylon Tree Push-In 56003263), two skirt blades (item 9) and the two deck blades (front & rear).



Item	Ref. No.	Qty	Description
	56314894	1	Left Skirt Assembly (32")
	56314885	1	Left Skirt Assembly (24", 26", 28")
	56314884	1	Right Skirt Assembly (All Models)
1	56324499	1	Wheel 3.00 NOTE 1
2	56016163	1	Decal, No Step (Right Skirt Assembly Only)
3	56471220	1	Bushing NOTE 1
4	56002098	2	Wsh, Flt Sae 1/4 NOTE 1
5	56003167	1	Scr,Hex M6-1.0x40mm NOTE 1
6	56003426	9	Nut, Hex Nyl Loc Ss M6x1.0 (qty of 8 on 56314885)
7	56003454	2	Scr Hex Thd To Hd Ss M6-1.0 X 20mm
8	56003695	6	Scr Hex Thd To Hd Ss M6-1.0 X 25mm
9	56003696	2	Wsh, Flt Ss .33 X 1.00 X.060
10	56009045	2	Wsh, Bowed .375x.578x.060 NOTE 1
11	-		See Disk Deck Blade Kits below
12	-		See Disk Deck Blade Kits below
13	56314888	1	Frame, Skirt Rh
14	56314889	1	Frame, Skirt Lh
15	56314891	1	Retainer, Blade
			24" Disk Deck Blade Kits
**	56314911	1	Kit, Gum Rubber 24 Disk NOTE 3
**	56314915	1	Kit, Linatex 24 Disk NOTE 3
			26" Disk Deck Blade Kits
**	56314912	1	Kit, Gum Rubber 26 Disk NOTE 3
**	56314916	1	Kit, Linatex 26 Disk NOTE 3
			28" Disk Deck Blade Kits
**	56314913	1	Kit, Gum Rubber 28 Disk NOTE 3
**	56314917	1	Kit, Linatex 28 Disk NOTE 3
			32" Disk Deck Blade Kits
**	56314914	1	Kit, Gum Rubber 32 Disk NOTE 3
**	56314918	1	Kit, Linatex 32 Disk NOTE 3

** = Optional

NOTE 1: These items are on the Right Skirt Assembly PN 56314884 on all models, but only on the 32" Left Skirt Assembly PN56314894.

NOTE 2: All quantities are for one skirt assembly only, there are two skirt assemblies on the machine.

NOTE 3: Disk Deck Blade Kits include the mounting fasteners (Rivet, Nylon Tree Push-In 56003263), four skirt blades (items 11 & 12) and the two deck blades (front & rear).

Item	Ref. No.	Qty	Description	Item	Ref. No.	Qty	Description
1	56001939	4	Wsh, Flt SAE 5/16	45	56314069	1	Gasket
2	56001954	3	Wsh, Flt SAE #10	46	56314072	1	Control Panel Assy (before TSBUS2006-922)
3	56009206	4	Scr, Truss Phil-Blk 10-24 x .50	!	56316109	1	Control Panel Assy (after TSBUS2006-943)
4	56002035	4	Scr, Hex Hd 5/16-18 x .62	*!	56314713	1	Membrane Switch Assy TSBUS2006-932
5	56002043	3	Scr, Pan Phil 10-24 x .38	*	56396188	1	Switch, Key
6	56002066	3	Scr, Pan Phil 1/4-20 x .62	*	56396189	1	Key, Spare
7	56002098	11	Wsh, Flt SAE 1/4	47	56314153	1	Tee NOTE 3
8	56002108	1	Scr, Pan Phil 1/4-20 x 2.00		56314758	1	Tee, Barb NOTE 4
9	56002507	2	Scr, Pan Phil 1/4-20 x .75	48	56314759	1	Bracket, Valve (Before TSBUS2004-874)
10	56002589	1	Scr, Hex Hd 6-32 x .50		56314882	1	Bracket, Valve (After TSBUS2004-874)
11	56002674	5	Scr, Pan Phil 10-24 x 1.00	49	56314155	5	Clamp, Cable
12	56002171	4	Scr, Pan Phil 10-24 x 2.00	50	56314608	4	Clamp, Cable
13	56002793	2	Scr, Pan Phil 5/16-18 x .75	51	56314213	1	Cover, Actuator NOTE 7
14	56002826	1	Nut, Hex Nyl Loc-Thin 5/16-18		56314975	1	Cover, Actuator Closed NOTE 8
15	56002830	1	Nut, Hex Nyl Loc 6-32	52	56314292	1	Bar, Disconnect
16	56002840	3	Nut, Hex Nyl Loc-Thin 1/4-20	53	56316526	1	Tank Mount Bracket
17	56002900	5	Scr, Pan Phil SS 10-24 x .50	54	56314221	1	Weld't, Seat Mount NOTE 2, NOTE 7
18	56002997	3	Scr, Pan Phil 1/4-20 x 1.75		56314951	1	Weld't, Seat Mount NOTE 8
19	56003179	4	Scr, Hex Thd to Hd M8-1.25 x 20mm	55	56314223	1	Prop Rod
20	56003178	3	Scr, Hex M8-1.25 x 16mm	56	56314250	1	Harness, Main (Not Shown) NOTE 5 TSBUS2004-869
21	56003268	3	Ring, Ret Ext Type E Reinf. .25 Dia.		56314971	1	Harness, Main NOTE 6 (before TSBUS2006-922)
22	56003389	3	Nut, Hex Nyl Loc M8-1.25		56316114	1	Harness, Main (after TSBUS2006-922)
23	56009002	2	Wsh, Flt .266 x .906 x .060	57	56314253	1	Charge Connector Assy
24	56009122	4	Wsh, Flt .344 x .938 x .125	58	56314264	1	Hinge Bracket
25	56009205	4	Wsh, Flt SS #10	59a	56314311	1	Coupling, Quick Disconnect Female (before TSBUS2005-888)
26	56219932	4	Clamp, Hose SAE #6	59b	56314904	1	Tube (after TSBUS2005-888)
27	56255076	1	Cap, Pipe GHT Nylon	60	56314401	1	Bracket, Water Valve (Before TSBUS2004-874)
28	56344265	1	Clamp, Cable		56314881	1	Bracket, Water Valve (After TSBUS2004-874)
29	56368776	1	Washer, Rubber	61	56314532	1	Panel, Battery Box
30	56372673	2	Boot, Battery Post	62	56314538	1	Strainer NOTE 3
31	56409152	1	Barb, 90 Elbow, 1/2 x 1/2NPT NOTE 3		56314756	1	Strainer NOTE 4
	56314757	1	Barb, 90 Elbow 3/4 x 1/2NPT NOTE 4	63	56386182	1	Hose, Spiral .50ID x 26.00
32	56412196	1	Hinge NOTE 7	64	56397189	1	Spacer
	56314973	1	Hinge NOTE 8	65	56397215	1	Solenoid Valve Assy, 36V (L1)
33	56412273	1	Barb, Adapter, 1/2 x 3/4GHT NOTE 3	66	56397508	1	Charge Connector Assy
	56900273	1	Barb NOTE 4	67	56264318	1	Hose, Spiral .500 NOTE 3
34	56468553	1	Bushing, .27 x .37 x 1.30		56263218	1	Hose, .75 Clear PVC NOTE 4
35	56469380	1	Clamp, P	68	56442003	1	Clamp, P
36	56478246	2	Tie, Cable	69	56314339	1	Kit, Battery Connector (includes items 70-73) (Advance Models only) NOTE 1
37	56003003	1	Scr, Pan Phil 5/16-18 x .62	70	56456460	4	Cable, Battery
38	56046309	2	Spacer, Phenolic	71	56478246	10	Tie, Cable
39	56050872	1	Spacer, Phenolic	72	56372673	10	Boot, Battery Post
40	56314899	1	Valve, Ball	73	56441600	1	Cable, Battery
41	56262180	1	Hose, Spiral .50ID x 7.00	74	56001993	2	Scr, Pan Phil 10-24 x .50 NOTE 4
42	56314035	1	Seat	75	56314755	1	Valve, Solution NOTE 4
*	56409613	1	Switch, Seat (S2)	76	56112771	4	Clamp, Hose SAE #10 NOTE 4
43	56314049	1	Solution Tank NOTE 7		56219932	4	Clamp, Hose SAE #6 NOTE 3
	56314940	1	Solution Tank NOTE 8	77	56410162	1	Hose, Spiral .75 ID x 7.00 NOTE 4
44	56314066	1	Cover, Solution Tank, Assy		56262180	1	Hose, Spiral .50 ID x 7.00 NOTE 3
				*	56314119	1	Battery Spacer (Advance Models only)

* = Not Shown

NOTE 1: For Advance models "Battery Connector Kit" (56314339) is included with machine. For Nilfisk models battery cables are not included (after SN 1688856), but "Battery Connector Kit" (56314326) can be ordered separately if battery connectors are desired.

NOTE 2: Seat Weldment 56314221 was modified as of serial #1726172 to accommodate Onboard Charger Kit 56314753.

NOTE 3: Used on machines built before serial number chart "A".

NOTE 4: Used on machines built after serial number chart "A".

NOTE 5: Used on machines built before serial number chart "B".

NOTE 6: Used on machines built after serial number chart "B".

NOTE 7: Used on machines built before TSBUS2005-896.

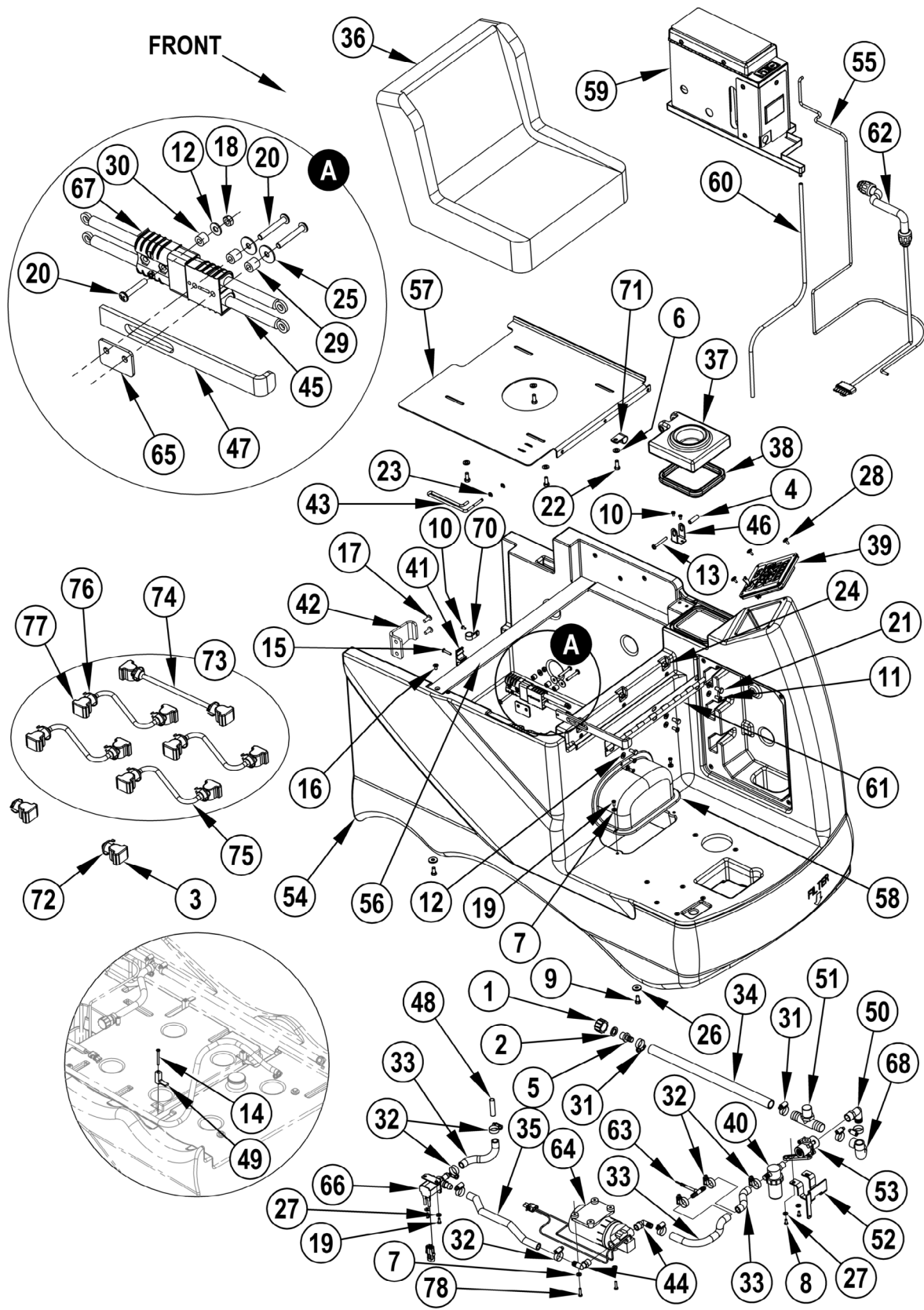
NOTE 8: Used on machines built after TSBUS2005-896.

NOTE 3 & 4
SERIAL NUMBER CHART "A"

1750239 - Advenger 2400D
1757986 - Advenger 2810D
1757999 - Advenger 3210D
1759162 - Advenger 2400C
1750252 - Advenger 2600C
1758000 - Advenger 2810C
1758002 - Advenger 3210C
1752024 - BR 600S
1752041 - BR 700S
1752046 - BR 800S
1752052 - BR 600SC
1752054 - BR 700SC
1753522 - BR 800SC

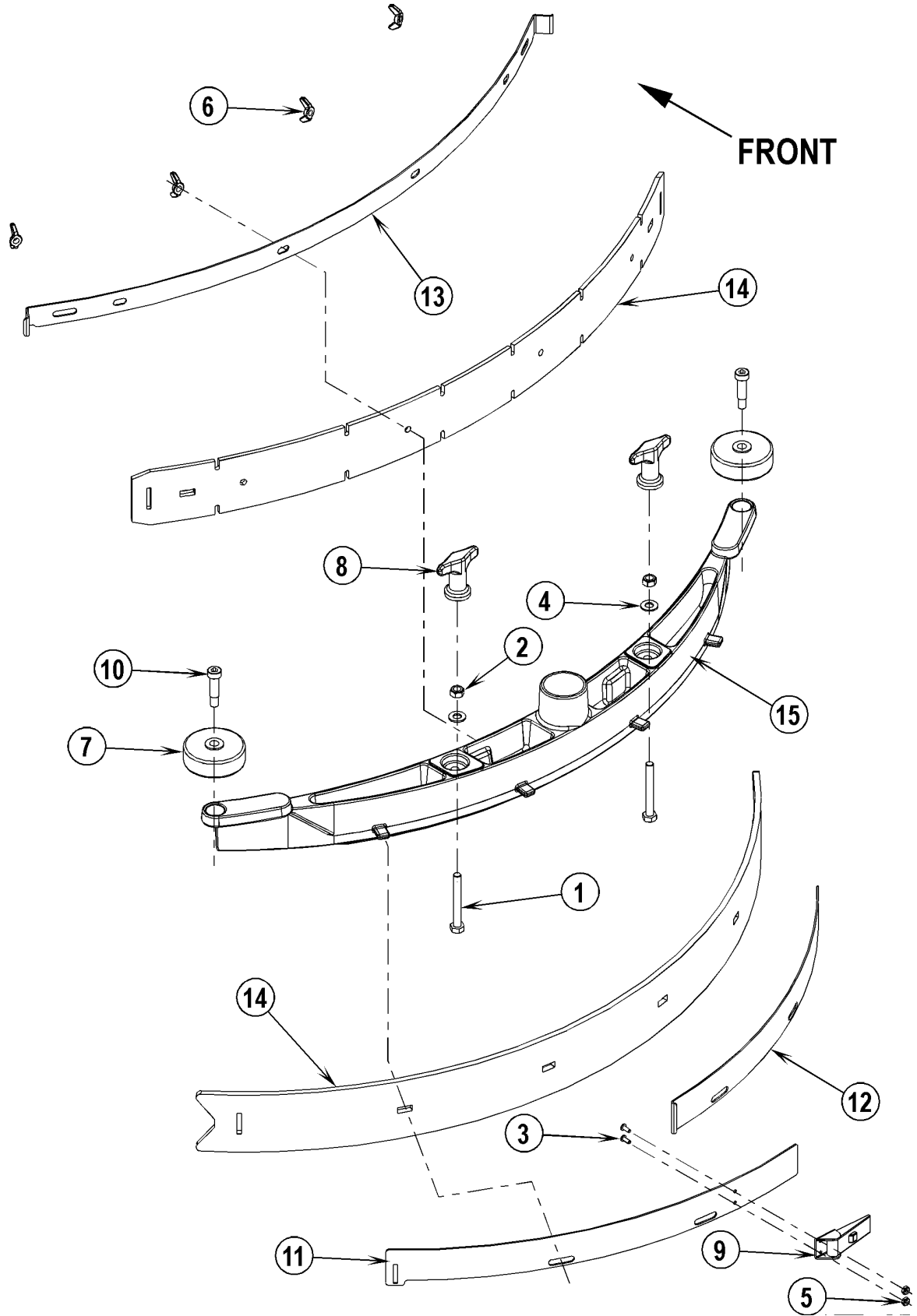
NOTE 5 & 6
SERIAL NUMBER CHART "B"

1837726 - Advenger 2400D
1839732 - Advenger 2600D
1837203 - Advenger 2810D
1837599 - Advenger 3210D
1839732 - Advenger 2400C
1839732 - Advenger 2600C
1837200 - Advenger 2810C
1837197 - Advenger 3210C
1837616 - BR 600S
1837623 - BR 700S
1839156 - BR 800S
1837650 - BR 600SC
1837652 - BR 700SC
1839732 - BR 800SC



Item	Ref. No.	Qty	Description	Item	Ref. No.	Qty	Description
1	56255076	1	Cap, Pipe GHT Nylon	39	56314072	1	Control Panel Assy. Scrubber (before TSBUS2006-922)
2	56368776	1	Washer, Rubber	!	56316109	1	Control Panel Assy (after TSBUS2006-943)
3	56372673	2	Boot, Battery Post	*!	56314713	1	Membrane Switch Assy TSBUS2006-932
4	56468553	1	Bushing, .27 x .37 x 1.3	*!	56396188	1	Switch, Key
5	56900273	1	Barb	*!	56396189	1	Key, Spare
6	56001939	4	Wsh, Flt SAE 5/16	40	56314147	1	Strainer
7	56001954	5	Wsh, Flt SAE #10	41	56314155	5	Clamp, Cable
8			Intentionally Omitted	42	56316526	1	Tank Mount Bracket
9	56002035	4	Scr, Hex 5/16-18 x .62	43	56314223	1	Prop Rod
10	56002043	3	Scr, Pan Phil 10-24 x .38	44	56900069	2	Barb, 90 Elbow 1/2 x 3/8NPT
11	56002066	3	Scr, Pan Phil 1/4-20 x .62	*	56314971	1	Harness, Main (before TSBUS2006-922)
12	56002098	7	Wsh, Flt SAE 1/4		56316114	1	Harness, Main (after TSBUS2006-922)
13	56002108	1	Scr, Pan Phil 1/4-20 x 2.00	45	56314253	1	Charge Connector Assy
14	56002171	4	Scr, Pan Phil 10-24 x 2.00	46	56314264	1	Hinge Bracket
15	56002674	5	Scr, Pan Phil 10-24 x 1.00	47	56314292	1	Bar, Disconnect
16	56002755	1	Scr, Flt Phil 1/4-20 x .50	48	56314904	1	Tube
17	56002793	2	Scr, Pan Phil 5/16-18 x .75	49	56314608	4	Clamp, Cable
18	56002840	1	Nut, Hex Nyl Loc-Thin 1/4-20	50	56314757	1	Barb, 90 Elbow 3/4 x 1/2NPT
19	56002900	7	Scr, Pan Phil SS 10-24 x .50	51	56314758	1	Tee, Barb
20	56002997	3	Scr, Pan Phil 1/4-20 x 1.75	52	56314881	1	Bracket, Valve
21	56003178	3	Scr, Hex M8-1.25 x 16mm	53	56314899	1	Valve, Solution
22	56003179	4	Scr, Hex Thd To Hd M8-1.25 x 20mm	54	56314940	1	Solution Tank
23	56003268	2	Ring, Ret Ext Type E Reinf. 0.25 Dia	55	56314947	1	Hose, Chem Resistant
24	56003389	3	Nut, Hex Nyl Loc M8-1.25	56	56314943	1	Brkt, Seat
25	56009002	2	Wsh, Flt .266 x .906 x .060	57	56314949	1	Weld't, Seat Mount
26	56009122	4	Wsh, Flt .344 x .938 x .125	58	56314960	1	Cover, Actuator
27	56009205	4	Wsh, Flt SS .219 x .500 x .047/.062	59	56316537	1	Assembly, Detergent Inject. (TSBUS2006-922) (see Detergent Injection System)
28	56009206	4	Scr, Truss Phil-Blk 10-24 x .50	60	56314965	1	Hose, PVC 1/4 x 3/8
29	56046309	2	Spacer, Phenolic	61	56314973	1	Hinge
30	56050872	1	Spacer, Phenolic	62	56314980	1	Harness, Chemical System
31	56112771	4	Clamp, Hose SAE #10	63	56314983	1	Tee Assembly
32	56219932	8	Clamp, Hose SAE #6	64	56212014	1	Pump, 36VDC
33	56262180	3	Hose, Spiral .50 Id x 7.00	65	56397189	1	Spacer
34	56263218	1	Hose, .75 Clear PVC	66	56397215	1	Solenoid Valve Assy. 36V
35	56409462	1	Hose, Spiral .50 ID x 12	67	56397508	1	Charge Connector Assy
36	56314035	1	Seat	68	56410162	1	Hose, Spiral .75 ID x 7.00
37	56314066	1	Cover, Solution Tank, Assy	69			Intentionally Omitted
38	56314069	1	Gasket	70	56442003	1	Clamp, P
				71	56469380	1	Clamp, P
				72	56478246	2	Tie, Cable
				73	56314339	1	Kit, Battery Connector (items 74-77) (Advance models only)
				74	56441600	1	Cable, Battery
				75	56456460	4	Cable, Battery
				76	56478246	10	Tie, Cable
				77	56372673	10	Boot, Battery Post
				78	56002733	2	Scr, Pan Phil 10-24 x .88
				*	56314119	1	Spacer, Battery (Advance models only)

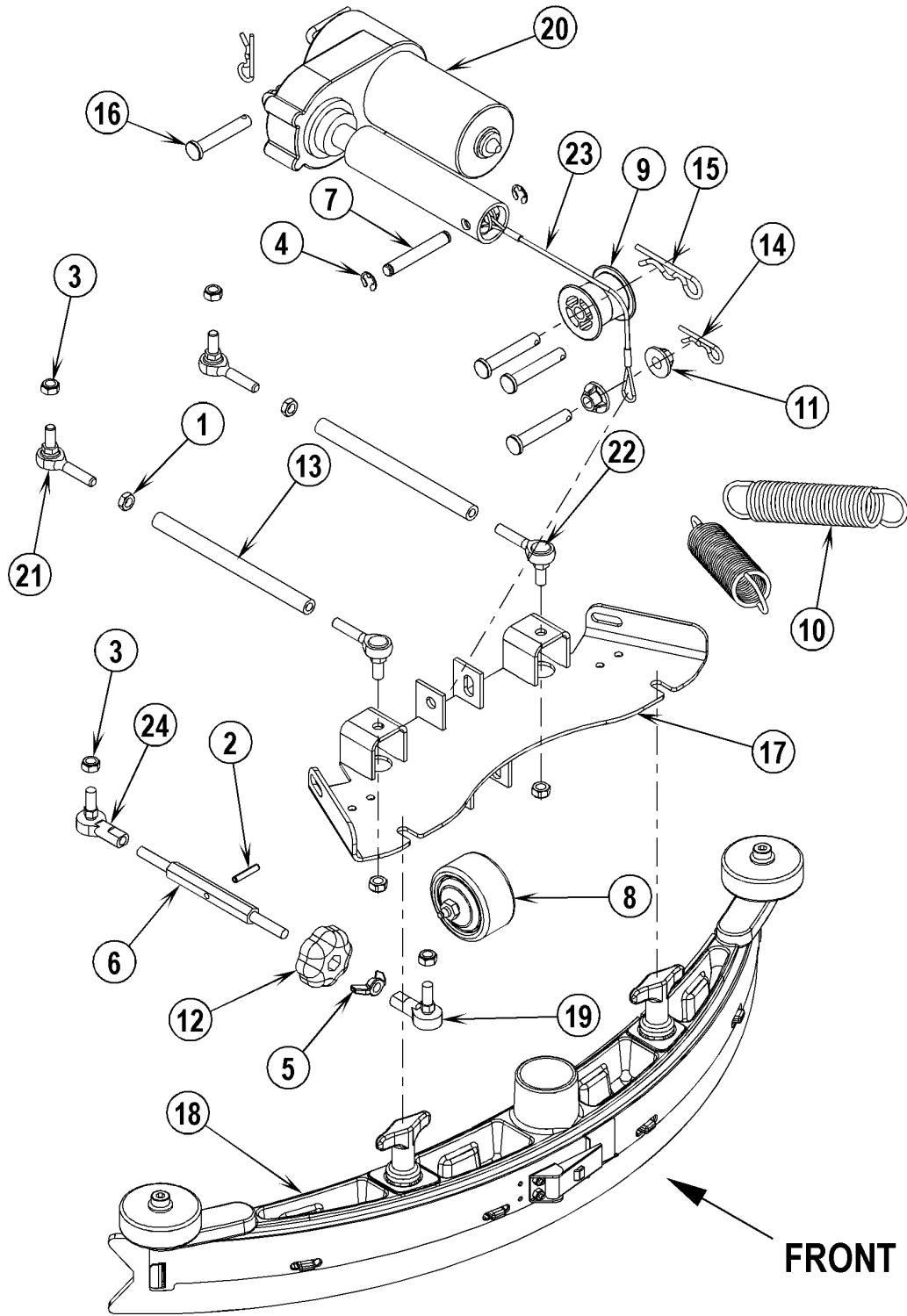
* = Not Shown



Item	Ref. No.	Qty	Description
	56314327	1	Squeegee Assy (24")
	56314020	1	Squeegee Assy (26" & 28")
	56314358	1	Squeegee Assy (32")
1	56003736	2	Scr, Hex Hd SS 5/16-18 x 2.75
2	56002851	2	Nut, Hex Nyl Loc-Thin SS 5/16-18
3	56002909	2	Scr, Pan Phil SS 6-32 x .38
4	56002938	2	Wsh, Flt SAE SS 5/16
5	56002907	2	Nut, Hex Nyl Loc SS 6-32
6	56009111	4	Nut, Wing SS 1/4-20
7	56324350	2	Wheel
8	56370711	2	Nut, Thumb
9	56471194	1	Latch Assy
10	56003472	2	Scr, Soc Shd .38 x 1.00 x 5/16-18
11	56314317	1	Strap, Left Rear (24")
	56314026	1	Strap, Left Rear (26" & 28")
	56314323	1	Strap, Left Rear (32")
12	56314318	1	Strap, Right Rear (24")
	56314027	1	Strap, Right Rear (26" & 28")
	56314324	1	Strap, Right Rear (32")
13	56314316	1	Strap, Front (24")
	56314028	1	Strap, Front (26" & 28")
	56314322	1	Strap, Front (32")
14	56314054	1	Kit, Standard Squeegee Blade (24") NOTE #1
	56314303	1	Kit, Standard Squeegee Blade (26" & 28") NOTE #1
	56314060	1	Kit, Standard Squeegee Blade (32") NOTE #1
15	56314319	1	Squeegee Tool, Cast (24")
	56314271	1	Squeegee Tool, Cast (26" & 28")
	56314325	1	Squeegee Tool, Cast (32")
			24" Squeegee Blade Kits
**	56314055	1	Kit, Linatex Squeegee Blade NOTE #1
**	56314056	1	Kit, Neoprene Squeegee Blade NOTE #1
			26" & 28" Squeegee Blade Kits
**	56314304	1	Kit, Linatex Squeegee Blade NOTE #1
**	56314305	1	Kit, Neoprene Squeegee Blade NOTE #1
			32" Squeegee Blade Kits
**	56314061	1	Kit, Linatex Squeegee Blade NOTE #1
**	56314062	1	Kit, Neoprene Squeegee Blade NOTE #1

** = Optional, Not Included

NOTE #1: All squeegee blade kits include both front and rear squeegee blades.



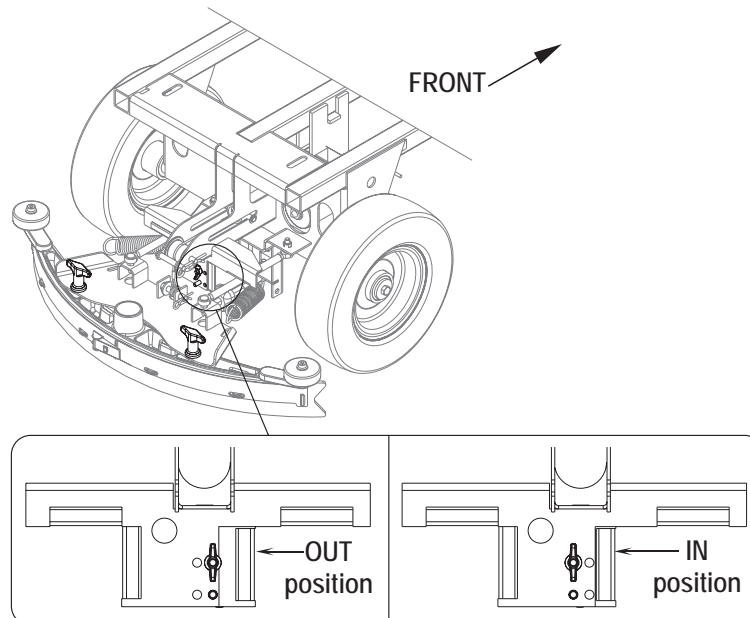
Item	Ref. No.	Qty	Description
1	56001884	2	Nut, Hex Jam 5/16-24
2	56002082	1	Pin, SPR .19 x 1.00
3	56002866	6	Nut, Hex Nyl Loc-Thin 5/16-24
4	56003262	2	Ring, Ret Ext Type E .38 Dia.
5	56003497	1	Nut, Wing SS 5/16-24
6	56412067	1	Connecting Rod
7	56412088	1	Pin
8	56412124	1	Wheel
9	56412208	1	Roller
10	56412216	2	Spring, Extension
11	56412248	4	Spacer, Squeegee Cable
12	56412284	1	Knob, Squeegee Adjust
13	56412314	2	Connecting Rod
14	56003222	2	Pin, Cotter Hair
15	56003223	1	Pin, Cot Hair .148 x Dia .62/1.00
16	56003656	4	Clevis Pin .375 x 2.25
17	56314023	1	Squeegee Mount Weld't.
18	56314327	1	Squeegee Assy (24") (2400) NOTE 1
	56314020	1	Squeegee Assy (26" & 28") (2600, 2810) (BR 600S, 650S, 600SC, 650SC) NOTE 1
	56314358	1	Squeegee Assy (32") (3210) (BR 700S, 800S, 700SC, 800SC) NOTE 1
19	56395755	1	Rod End
20	56397230	1	Lift Actuator, Squeegee (M2) NOTE 2 TSBUS2004-864
21	56412312	2	Rod End, 5/16
22	56412313	2	Rod End, 5/16
23	56412340	1	Cable Assembly
24	56477756	1	Rod End

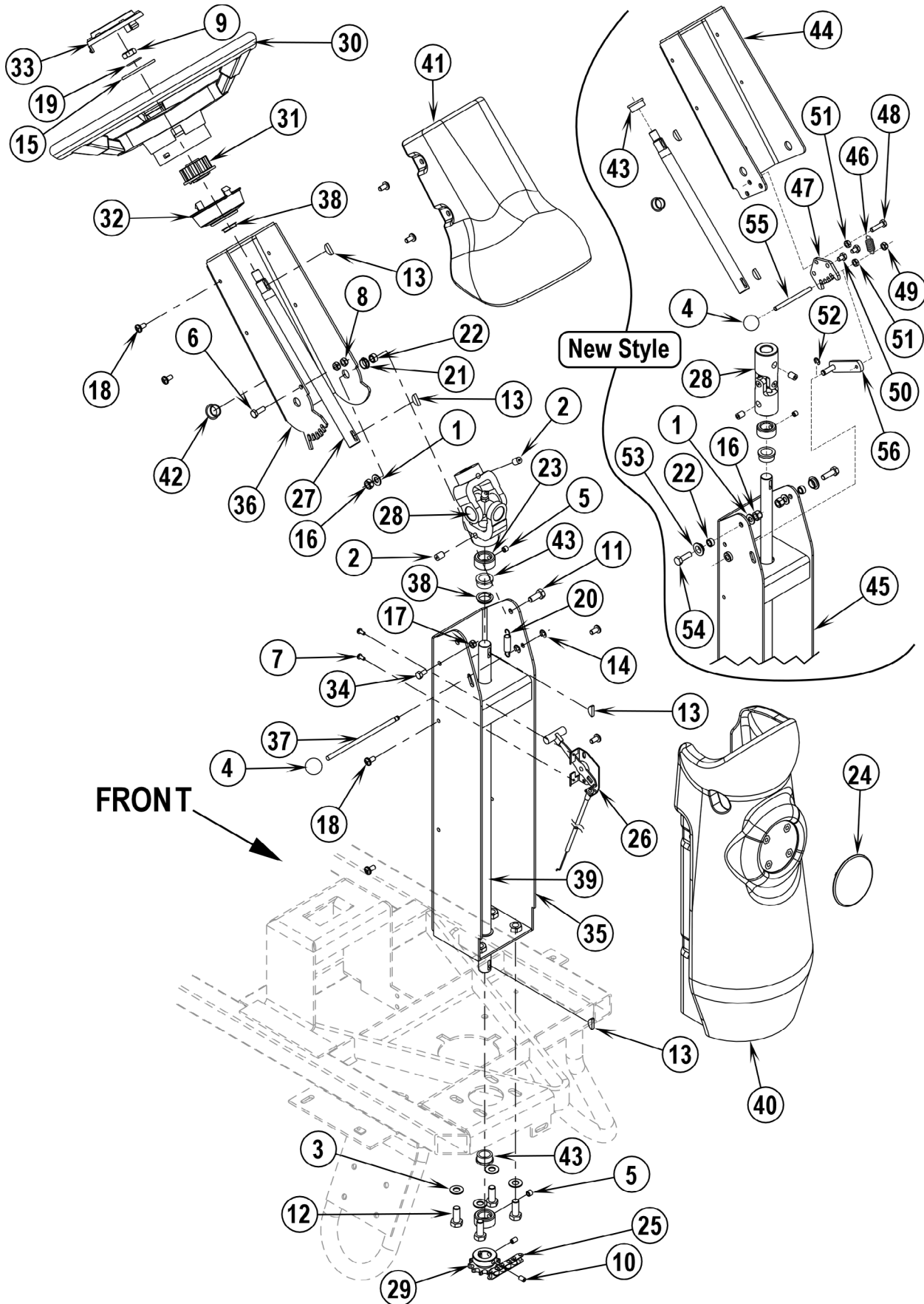
* = Not Shown

NOTE 1: BR 600S & BR 600SC models before SN 1819567 used Squeegee Assy 56314327, after SN use Squeegee Assy 56314020. If replacing squeegee 56314327 with 56314020 on either one of these two models (SN before 1819567) the Squeegee Stop Bracket needs to be set at the "IN" position. See TSBUS2005-891.

BR 700S & BR 700SC models before SN1819567 used Squeegee Assy 56314020, after SN use Squeegee Assy 56314358. If replacing squeegee 56314020 with 56314358 on either one of these two models (SN before 1819567) the Squeegee Stop Bracket needs to be set at the "IN" position. See TSBUS2005-891.

NOTE 2: From August of 2003 through March 1, 2004 Squeegee Lift Actuator 56314118 was used. All machines built prior to August 2003 and shipped after March 1, 2004 use Actuator 56397230. If you have a machine built between these two dates and are experiencing control panel circuit board or squeegee lift actuator problems you should order Control & Actuator Update Kit, part number 56314710.





Item	Ref. No.	Qty	Description	Item	Ref. No.	Qty	Description
1	56001939	2	Wsh, Flt SAE 5/16	44	56413657	1	Column, Upper NOTE 4
2	56001958	2	Scr, Soc Set Loc 3/8-16 x .50	45	56413659	1	Lower Column Weldment NOTE 4
3	56002063	4	Wsh, Flt SAE 3/8	46	56305072	1	Spring, Extension .075 NOTE 4
4	56440817	1	Knob	47	56413658	1	Ratchet, Steering Column NOTE 4
5	56002086	2	Scr, Soc Set Loc 5/16-18 x .25	48	56002093	1	Scr, Hex 1/4-20 x 1.00 NOTE 4
6	56002155	1	Scr, Hex Hd 1/4-20 x .75 NOTE 3	49	56002840	1	Nut, Hex Nyl Loc-Thin 1/4-20 NOTE 4
7	56002523	2	Scr, Pan Phil Thd Form 8-32 x .38 NOTE 5	50	56003039	2	Scr, Hex Hd Loc 1/4-20 x .50 NOTE 4
8	56002840	2	Nut, Hex Nyl Loc-Thin 1/4-20 NOTE 3	51	56003145	2	Nut, Hex Jam SS 1/4-20 NOTE 4
9	56002843	1	Nut, Hex Nyl Loc-Thin 1/2-13	52	56003261	1	Ring, Ret Ext Type E 0.31 Dia NOTE 4
10	56002930	2	Scr, Soc Set Loc 1/4-20 x .38	53	56413211	2	Bearing, Flange .625 x .500 x .250 NOTE 4
11	56003179	2	Scr, Hex Thd To Hd M8-1.25 x 20mm NOTE 3	54	56003436	2	Scr, Hex SS M8-1.25 x 25mm NOTE 4
12	56003186	4	Scr, Hex Thd To Hd M10-1.50 x 25mm	55	56413664	1	Rod NOTE 4
13	56003228	4	Key, WDF .75 x .19	56	56413661	1	Steering Pawl Weldment NOTE 4
14	56003268	2	Ring, Ret Ext Type E Reinf .25 Dia NOTE 3				
15	56003342	1	Wsh, Flt .88 x .25 x .13				
16	56003389	2	Nut, Hex Nyl Loc M8-1.25				
17	56003403	1	Nut, Hex Nyl Loc M6-1.00 NOTE 3				
18	56009062	8	Scr, Pan Phil Thd Form 1/4-20 x .50				
19	56001879	1	Wsh, Flt SAE 1/2				
20	56245008	1	Spring, Extension NOTE 3				
21	56302164	2	Bearing, Flange NOTE 3				
22	56320595	2	Bushing .32 x .50 x .28				
23	56367095	2	Collar, Shaft				
24	56412095	1	Plaque, Decal Logo				
25	56412198	1	Chain, Roller				
26	56412281	1	Solution Control Cable NOTE 5				
27	56420059	1	Shaft, Upper Steering				
28	56454081	1	Universal Joint				
29	56471148	1	Sprocket				
30	56497306	1	Steering Wheel				
31	56497560	1	Wheel Adapter				
32	56497308	1	Cup				
33	56497543	1	Cap				
34	56003155	1	Scr, Hex M6-1.00 x 12mm NOTE 3				
35	56314048	1	Lower Column Weldment NOTE 1 TSBUS2005-887				
	56314877	1	Lower Column Weldment NOTE 2 TSBUS2005-887 NOTE 3				
36	56314093	1	Column, Steering NOTE 3				
37	56314094	1	Rod, Steering lock NOTE 3				
38	56314148	3	Bearing, Nyliner (qty of 1 after serial number chart) TSBUS2005-887 NOTE 3				
39	56314195	1	Shaft, Lower Steering				
40	56314295	1	Shroud, Lower Column				
41	56314296	1	Shroud, Upper Column				
42	56900041	1	Plug, Cap				
43	56250414	2	Bearing, Flange NOTE 2 TSBUS2005-887 (qty of 3 after serial number 1942863)				

NOTE 1: Used on machines built before serial number chart.

NOTE 2: Used on machines built after serial number chart.

NOTE 3: Used on machines built before serial number 1942864.

NOTE 4: Used on machines built after serial number 1942863.

NOTE 5: Not used on AXP/EDS models.

NOTE 1 & 2 SERIAL NUMBER CHART

1797475 - Advenger™ 2400C, 2400D, 2600C, 2600D, 2810D

1797186 - Advenger™ 3210D

1797261 - Advenger™ 2810C

1797187 - Advenger™ 3210C

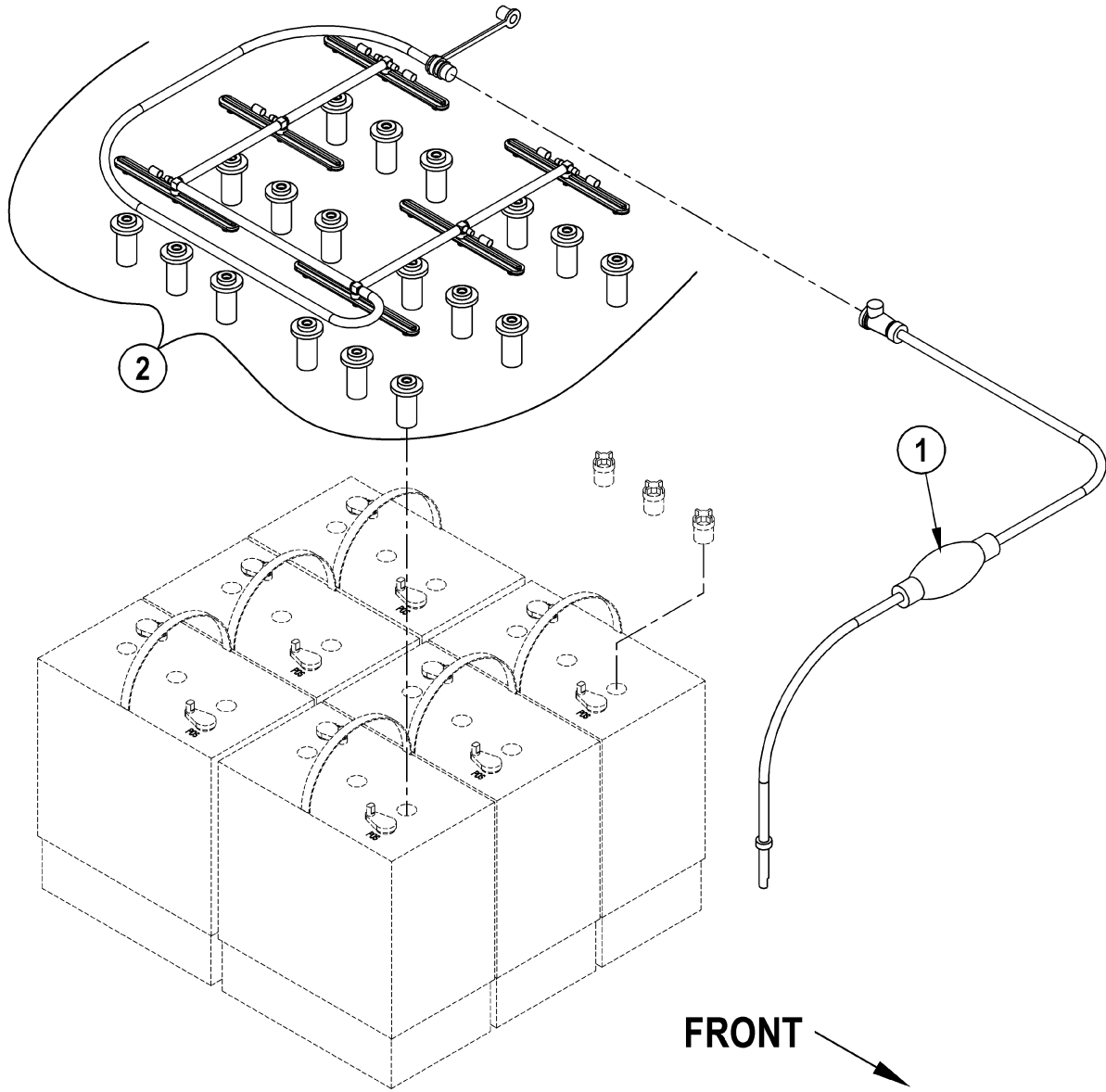
1796877 - BR 600S

1796885 - BR 700S

1796896 - BR 800S

1796903 - BR 700SC

1796906 - BR 800SC



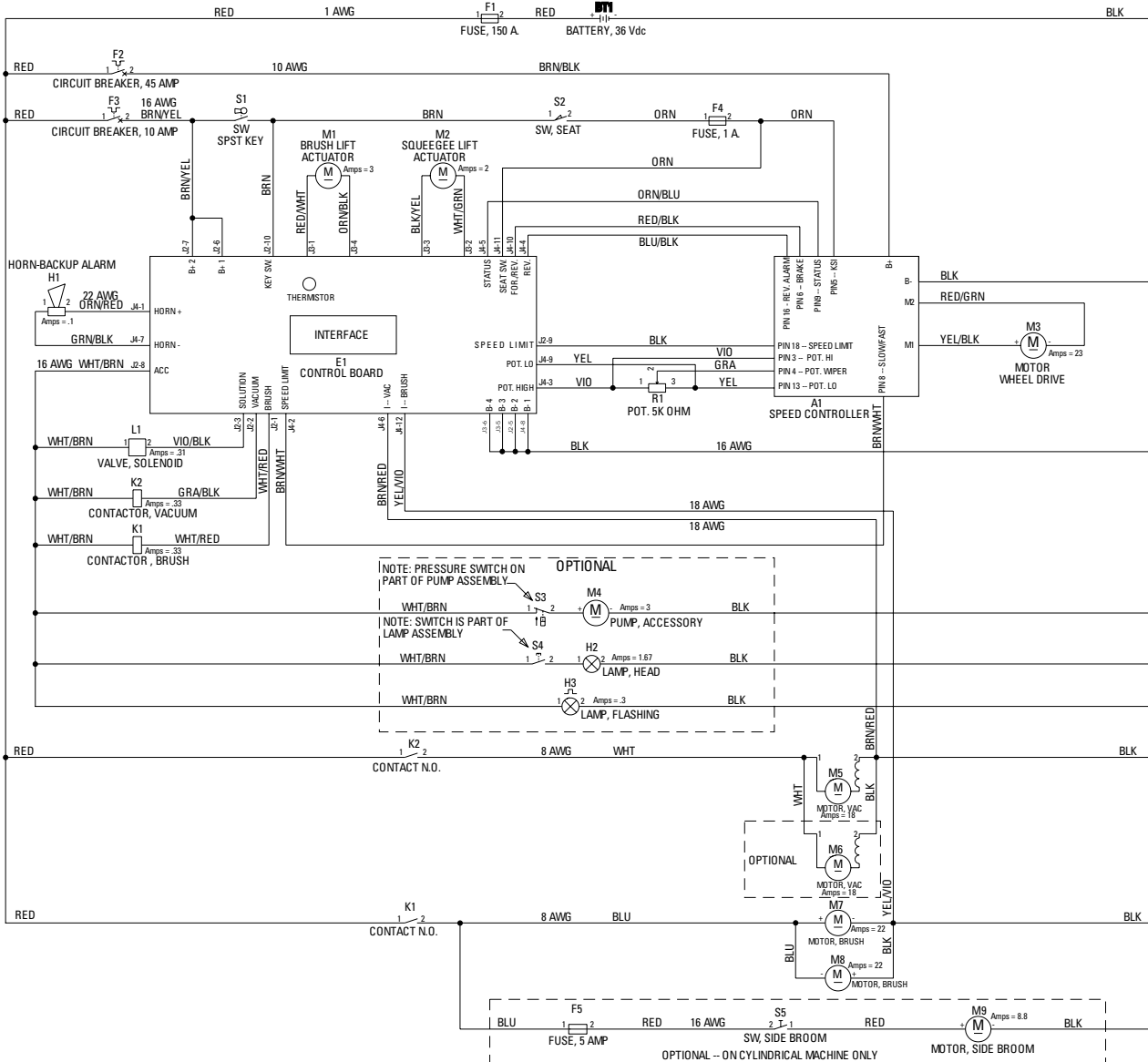
03-1

BATTERY WATERING SYSTEM**BOOK E**

06-3

Advenger™ / BR 600S series**E****13.3.1****39**

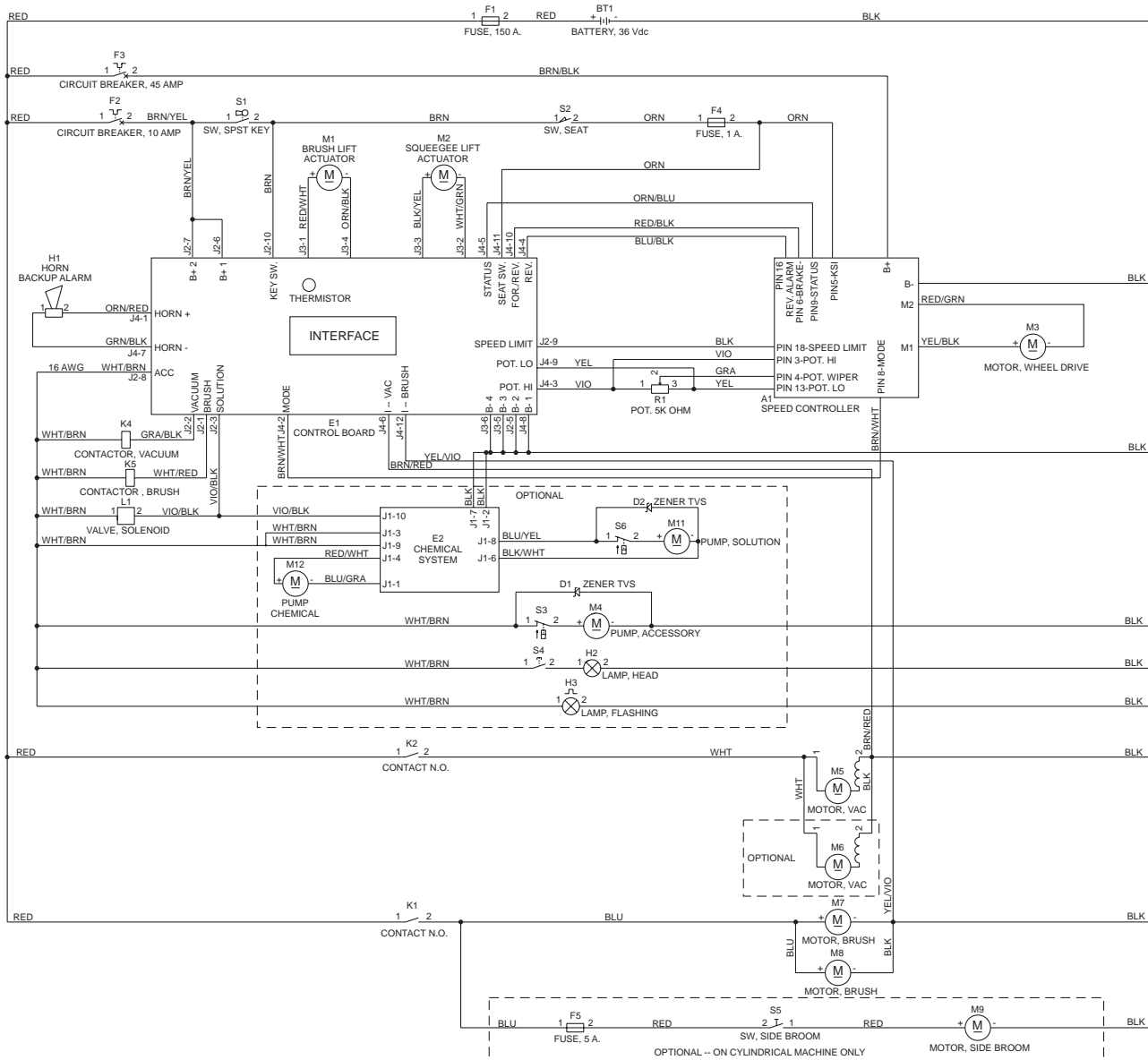
Item	Ref. No.	Qty	Description
	56314974	1	Battery Watering System (items 1-2) (Standard on Advance Detergent Injection Models)
	56314981	1	Battery Watering Kit (includes 56314974 and instruction sheet 56040853)
1	56314978	1	Pump
2	56314979	1	Manifold Assembly



Item	Ref. No.	Qty	Description	Item	Ref. No.	Qty	Description
A1	56314067	1	Controller	M7	56314139	1	Motor Gearbox Assy (24" / Disk)
BT1	N/A		Battery		56314140	1	Motor Gearbox Assy (26" / Disk)
E1	56314072	1	Control Panel Assy (before TSBUS2006-922)		56314141	1	Motor Gearbox Assy (28" / Disk)
!	56316109	1	Control Panel Assy (after TSBUS2006-943)		56314335	1	Motor Gearbox Assy (32" / Disk)
*!	56314713	1	Membrane Switch Assy TSBUS2006-932	*	56314359	2	Key, 6mm Square
*!	56396188	1	Switch, Key	*	56314499	2	Cover, Gearbox
*!	56396189	1	Key, Spare	*	56314560	2	Gearbox
F1	56412089	1	Fuse, 150 Amp	*	56314580	1	Bearing (Fan End)
F2	56364294	1	Circuit Breaker, 45 Amp (Wheel Drive)	*	56314581	1	Bearing (Brush End)
F3	56387316	1	Circuit Breaker, 10 Amp (Control Circuit)	*	56314582	1	Brush Ring
F4	N/A	1	Fuse, 1 Amp	*	56314583	4	Carbon Brush
F5		1	Fuse, 5 Amp (Side Broom / optional)	*	56314584	1	Safety Hook
H1	56412177	1	Horn / Backup Alarm		56407431	1	Motor, 36VDC, .75HP (Cylindrical)
H2	56314063	1	Headlight (optional)				TSBUS2004-868
H3	56416433	1	Strobe Light (optional)	*	56417489	1	Armature (for 56407431)
K1	56395450	1	Contactora, Brush Motor	*	56407490	1	Bearing (for 56407431)
K2	56395450	1	Contactora, Vac Motor	*	56407492	1	Brush Cap Assy (for 56407431)
L1	56397215	1	Solenoid Valve	*	56407493	4	Carbon Brush Assy (for 56407431)
M1	56393303	1	Lift Actuator, Brush	*	56407494	4	Brush Cover Cap (for 56407431)
*	56470433	1	Carbon Brush Kit	M8	56407431	1	Motor, 36VDC, .75HP (Cylindrical)
*	56393790	2	Limit Switch				TSBUS2004-868
*	56388520	1	Plastic Nut	*	56417489	1	Armature (for 56407431)
M2	56397230	1	Lift Actuator, Squeegee TSBUS2004-864	*	56407490	1	Bearing (for 56407431)
M3	56314268	1	Motor, Drive Wheel TSBUS2004-869	*	56407492	1	Brush Cap Assy (for 56407431)
*	56314920	1	Drive Wheel Harness Kit TSBUS2004-869	*	56407493	4	Carbon Brush Assy (for 56407431)
*	56314282	1	Brake Bar	*	56407494	4	Brush Cover Cap (for 56407431)
*	56314289	1	Brake Band	M9	56469530	1	Motor, Side Broom (optional)
*	56412320	1	Carbon Brush Cover Kit (contains 4 seal rings & 4 brush covers)	R1	56454740	1	Potentiometer, 5K
*	56412321	1	Sealing Ring	S1	56396188	1	Switch, Key
*	56412322	1	Bearing, Ball, Gearbox Side	*	56396189	1	Key, Spare
*	56412323	1	Bearing, Ball, Brush Side	S2	56409613	1	Switch, Seat
*	56412325	1	Carbon Brush Kit	S3	N/A	1	Switch, Pump (part of M4)
*	56314269	1	Drive Wheel – P7 Scrubber Compound	S4	N/A	1	Switch, Headlight (part of H2)
**	56412339	1	Drive Wheel – Polyurethane	S5	56372088	1	Switch, Side Broom (optional)
M4	56212014	1	Motor, Pump (optional)				* = Not Shown
M5	56397228	1	Motor, Vac 36VDC (Advance)				** = Optional
*	56212223	1	Carbon Brush Set				
	56410065	1	Vac Motor Assy (Nilfisk)				
*	56212223	1	Carbon Brush Set				
M6	56397228	1	Motor, Vac 36VDC (optional)				
*	56212223	1	Carbon Brush Set				

Wiring diagram for Machines built before this Serial Number Chart

2400D-1837726
 2400C-1839732
 2600D-1839732
 2600C-1839732
 2810D-1837203
 3210D-1837599
 2810C-1837200
 3210C-1837197
 BR600S-1837616
 BR700S-1837623
 BR800S-1839156
 BR600SC-1837650
 BR700SC-1837652
 BR800SC-1839732
 Lowes 3210D-1837646



REFERENCE: WIRING DIAGRAM 56316115

56016746-REV. A

Item	Ref. No.	Qty	Description	Item	Ref. No.	Qty	Description
A1	56314067	1	Controller	M7	56314139	1	Motor Gearbox Assy (24" / Disk)
BT1	N/A		Battery		56314140	1	Motor Gearbox Assy (26" / Disk)
E1	56314072	1	Control Panel Assy (before TSBUS2006-922)		56314141	1	Motor Gearbox Assy (28" / Disk)
!	56316109	1	Control Panel Assy (after TSBUS2006-943)	*	56314335	1	Motor Gearbox Assy (32" / Disk)
*!	56314713	1	Membrane Switch Assy TSBUS2006-932	*	56314359	2	Key, 6mm Square
*!	56396188	1	Switch, Key	*	56314499	2	Cover, Gearbox
*!	56396189	1	Key, Spare	*	56314560	2	Gearbox
E2	56316110	1	Control Assy. (Chemical Injection only) TSBUS2006-922	*	56314580	1	Bearing (Fan End)
F1	56412089	1	Fuse, 150 Amp	*	56314581	1	Bearing (Brush End)
F2	56364294	1	Circuit Breaker, 45 Amp (Wheel Drive)	*	56314582	1	Brush Ring
F3	56387316	1	Circuit Breaker, 10 Amp (Control Circuit)	*	56314583	4	Carbon Brush
F4	N/A	1	Fuse, 1 Amp	*	56314584	1	Safety Hook
F5		1	Fuse, 5 Amp (Side Broom / optional)		56407431	1	Motor, 36VDC, .75HP (Cylindrical)
H1	56412177	1	Horn / Backup Alarm				TSBUS2004-868
H2	56314063	1	Headlight (optional)	*	56417489	1	Armature (for 56407431)
H3	56416433	1	Strobe Light (optional)	*	56407490	1	Bearing (for 56407431)
K1	56395450	1	Contactora, Brush Motor	*	56407492	1	Brush Cap Assy (for 56407431)
K2	56395450	1	Contactora, Vac Motor	*	56407493	4	Carbon Brush Assy (for 56407431)
L1	56397215	1	Solenoid Valve	*	56407494	4	Brush Cover Cap (for 56407431)
M1	56393303	1	Lift Actuator, Brush	M8	56407431	1	Motor, 36VDC, .75HP (Cylindrical)
*	56470433	1	Carbon Brush Kit				TSBUS2004-868
*	56393790	2	Limit Switch	*	56417489	1	Armature (for 56407431)
*	56388520	1	Plastic Nut	*	56407490	1	Bearing (for 56407431)
M2	56397230	1	Lift Actuator, Squeegee	*	56407492	1	Brush Cap Assy (for 56407431)
M3	56314268	1	Motor, Drive Wheel	*	56407493	4	Carbon Brush Assy (for 56407431)
*	56314282	1	Brake Bar	*	56407494	4	Brush Cover Cap (for 56407431)
*	56314289	1	Brake Band	M9	56469530	1	Motor, Side Broom (optional)
*	56412320	1	Carbon Brush Cover Kit (contains 4 seal rings & 4 brush covers)	M11	56212014	1	Pump, Solution (Detergent Injection only)
*	56412321	1	Sealing Ring	M12	56314984	1	Pump, Chemical (Detergent Injection only)
*	56412322	1	Bearing, Ball, Gearbox Side	R1	56454740	1	Potentiometer, 5K
*	56412323	1	Bearing, Ball, Brush Side	S1	56396188	1	Switch, Key
*	56412325	1	Carbon Brush Kit	*	56396189	1	Key, Spare
*	56314269	1	Drive Wheel – P7 Scrubber Compound	S2	56409613	1	Switch, Seat
**	56412339	1	Drive Wheel – Polyurethane	S3	N/A	1	Switch, Pump (part of M4)
M4	56212014	1	Motor, Pump (optional)	S4	N/A	1	Switch, Headlight (part of H2)
M5	56397228	1	Motor, Vac 36VDC (Advance)	S5	56372088	1	Switch, Side Broom (optional)
*	56212223	1	Carbon Brush Set	S6	N/A	1	Switch, Pump (part of M11)
*	56410065	1	Vac Motor Assy (Nilfisk)				
*	56212223	1	Carbon Brush Set				
M6	56397228	1	Motor, Vac 36VDC (optional / Advance)				
*	56212223	1	Carbon Brush Set				
*	56410065	1	Vac Motor Assy (optional / Nilfisk)				
*	56212223	1	Carbon Brush Set				

* = Not Shown

** = Optional

**Wiring diagram for Machines built
after this Serial Number Chart**

2400D-1837726
2400C-1839732
2600D-1839732
2600C-1839732
2810D-1837203
3210D-1837599
2810C-1837200
3210C-1837197
BR600S-1837616
BR700S-1837623
BR800S-1839156
BR600SC-1837650
BR700SC-1837652
BR800SC-1839732
Lowe's 3210D-1837646

We provide brushes and pad holders that will give you the best possible performance between machine and floor. Following are descriptions of the materials and their applications.

- Union Mix:** Medium grade natural fibers for polishing finished floors with standard-speed equipment. Recommended for use in place of white pads.
- ProLite:** Bristles are made from light-duty polypropylene for general scrubbing when you do not want to scratch or remove finish from the floor. Recommended for use in place of red pads.
- Prolene:** Polypropylene material for medium-duty scrubbing on concrete, terrazzo and vinyl floor tile. Recommended for use in place of green or blue pads.
- Magna Grit:** For extreme heavy-duty scrubbing or stripping of floors. This brush has extra large diameter silicon carbide grit impregnated synthetic bristles. Recommended for use in place of black pads.
- Dyna Grit:** For aggressive, heavy-duty scrubbing or stripping of floors. Recommended for use in place of brown pads.
- MidLite Grit:** For general purpose scrubbing of sealed or unsealed concrete, stone, terrazzo, quarry tile and other resilient hard floor surfaces. Recommended for use in place of green or blue pads.
- MidGrit:** For general purpose scrubbing when you need a lighter action for sealed or unsealed concrete, stone, terrazzo, quarry tile and other resilient hard floor surfaces. Recommended for use in place of green or blue pads.
- AgLite Grit:** For light scrubbing when used wet; buffing or polishing when used dry on urethane coated, sealed concrete or other resilient hard surface floors. Recommended for use in place of red or white pads.
- Short Trim Pad Holder:** Made with a structural foam block and center ring for correct pad centering. It has a "shower feed" design for getting solution to the floor.

24" BRUSHES

- 56505750 - Short Trim Pad Holder
- 56505195 - Pad Retainer for 56505750
- 56505751 - Magna Grit
- 56505752 - Dyna Grit
- 56505753 - AgLite Grit
- 56505754 - Prolene
- 56505755 - Prolite
- 56505756 - Union Mix
- 56505757 - MidGrit
- 56505758 - MidLite Grit

26" BRUSHES

- 56505760 - Short Trim Pad Holder
- 56505195 - Pad Retainer for 56505760
- 56505761 - Magna Grit
- 56505762 - Dyna Grit
- 56505763 - AgLite Grit
- 56505764 - Prolene
- 56505765 - Prolite
- 56505766 - Union Mix
- 56505767 - MidGrit
- 56505768 - MidLite Grit

28" BRUSHES

- 56505800 - Short Trim Pad Holder
- 56505195 - Pad Retainer for 56505800
- 56505801 - Magna Grit
- 56505802 - Dyna Grit
- 56505803 - AgLite Grit
- 56505804 - Prolene
- 56505805 - Prolite
- 56505806 - Union Mix
- 56505807 - MidGrit
- 56505808 - MidLite Grit

32" BRUSHES

- 56505830 - Short Trim Pad Holder
- 56505195 - Pad Retainer for 56505830
- 56505831 - Magna Grit
- 56505832 - Dyna Grit
- 56505833 - AgLite Grit
- 56505834 - Prolene
- 56505835 - Prolite
- 56505836 - Union Mix
- 56505837 - MidGrit
- 56505838 - MidLite Grit

DISC BRUSH APPLICATION GUIDE (SUGGESTION ONLY)

Application	46 Grit	80 Grit	180 Grit	240 Grit	500 Grit	Prolene	Prolite	Union Mix
Stripping:								
Concrete	X	X						
Terrazzo	X	X						
Ceramic/Quarry tile		X						
Vinyl tile		X						
General Scrubbing:								
Concrete	X	X	X	X		X		
Terrazzo			X	X	X	X		
Ceramic/Quarry tile			X	X	X	X		
Marble					X		X	
Vinyl tile			X		X	X		
Raised-rubber tile					X		X	
Polishing:								
Raised Disc Tile								X
Marble								X
Vinyl tile								X

We provide brushes and pad holders that will give you the best possible performance between machine and floor. Following are descriptions of the materials and their applications.

- 46 Grit Brush: Most aggressive grit brush. Used primarily to clean heavy buildup on concrete floors in factories, or for heavy stripping of finish.
- 80 Grit Brush: Medium aggressive grit brush. Good all-around brush for medium to heavy buildup removal. Can also be used for general stripping operations.
- 180 Grit Brush: Least aggressive grit brush. Used for daily cleaning of hard-finished floors.
- Polypropylene Brush: Standard equipment brush. Low cost, yet effective in cleaning many common floor surfaces.
- Stiff Nylon Brush: Cleaning action similar to polypropylene. More durable and wear-resistant than polypropylene.
- Soft Nylon Brush: Least aggressive brush available. Used on soft-finish floors where a more aggressive brush would leave scratch marks, or in applications requiring very light cleaning.

24" BRUSHES

56314389 - Soft Nylon
 56314390 - Hard Nylon
 56314391 - Prolene
 56314392 - 180 Grit
 56314393 - 80 Grit
 56314394 - 46 Grit

28" BRUSHES

56412191 - Soft Nylon
 56412192 - Hard Nylon
 56412046 - Prolene
 56412193 - 180 Grit
 56412194 - 80 Grit
 56412195 - 46 Grit

26" BRUSHES

56314383 - Soft Nylon
 56314384 - Hard Nylon
 56314385 - Prolene
 56314386 - 180 Grit
 56314387 - 80 Grit
 56314388 - 46 Grit

32" BRUSHES

56407473 - Soft Nylon
 56407474 - Hard Nylon
 56407475 - Prolene
 56407476 - 180 Grit
 56407477 - 80 Grit
 56407478 - 46 Grit

CYLINDRICAL BRUSH APPLICATION GUIDE (SUGGESTION ONLY)

Application	46 Grit	80 Grit	180 Grit	Polypro- pylene	Stiff Nylon	Soft Nylon
Stripping:						
Concrete	X	X				
Terrazzo	X	X				
Ceramic/Quarry tile		X				
Vinyl tile		X				
General Scrubbing:						
Concrete	X	X	X	X	X	
Terrazzo			X	X	X	X
Ceramic/Quarry tile			X	X	X	X
Marble			X		X	X
Vinyl tile			X	X	X	X
Raised-rubber tile			X			X

Item	Ref. No.	Qty	Description	Item	Ref. No.	Qty	Description				
Optional Kits				24" Disk Deck Blade Kits (Before TSBUS2004-884)							
**	56314753	1	Kit, On-Board Charger TSBUS2004-872	**	56314124	1	Kit, Gum Rubber 24 Disk NOTE #2				
**!	56040787	1	Instruction Sheet	**	56314170	1	Kit, Neoprene 24 Disk NOTE #2				
**	56314301	1	Kit, Seat Armrests	**	56314395	1	Kit, Linatex 24 Disk NOTE #2				
**	56314302	1	Kit, Warning Beacon	26" Disk Deck Blade Kits (Before TSBUS2004-884)							
**!	56040788	1	Instruction Sheet	**	56314125	1	Kit, Gum Rubber 26 Disk NOTE #2				
**	56314306	1	Kit, Right Side Broom	**	56314171	1	Kit, Neoprene 26 Disk NOTE #2				
**!	56040789	1	Instruction Sheet	**	56314396	1	Kit, Linatex 26 Disk NOTE #2				
**	56314308	1	Kit, Scrub-N-Vac Tool W/Pump	28" Disk Deck Blade Kits (Before TSBUS2004-884)							
**!	56040783	1	Instruction Sheet	**	56314126	1	Kit, Gum Rubber 28 Disk NOTE #2				
**!	56412223	1	Kit, Vacuum Wand Caddy	**	56314172	1	Kit, Neoprene 28 Disk NOTE #2				
**!	56040686	1	Instruction Sheet	**	56314397	1	Kit, Linatex 28 Disk NOTE #2				
**	56314312	1	Kit, Seatbelt	32" Disk Deck Blade Kits (Before TSBUS2004-884)							
**!	56040846	1	Instruction Sheet	**	56314127	1	Kit, Gum Rubber 32 Disk NOTE #2				
**	56314313	1	Kit, Headlight	**	56314173	1	Kit, Neoprene 32 Disk NOTE #2				
**!	56040791	1	Instruction Sheet	**	56314398	1	Kit, Linatex 32 Disk NOTE #2				
**	56314338	1	Kit, Dual Vac Motor (Advance)	24" Disk Deck Blade Kits (After TSBUS2004-884)							
**!	56040792	1	Instruction Sheet	**	56314911	1	Kit, Gum Rubber 24 Disk NOTE 2				
**	56316186	1	Kit, Dual Vac Motor (Nilfisk)	**	56314915	1	Kit, Linatex 24 Disk NOTE 2				
**!	56040892	1	Instruction Sheet	26" Disk Deck Blade Kits (After TSBUS2004-884)							
**	56397453	1	Kit, Battery Fill Indicator	**	56314912	1	Kit, Gum Rubber 26 Disk NOTE 2				
**	56314981	1	Kit, Battery Watering	**	56314916	1	Kit, Linatex 26 Disk NOTE 2				
**!	56040853	1	Instruction Sheet	28" Disk Deck Blade Kits (After TSBUS2004-884)							
**!	56314474	1	Kit, Deck 2400D (56040794)	**	56314913	1	Kit, Gum Rubber 28 Disk NOTE 2				
**!	56314475	1	Kit, Deck 2400C (56040794)	**	56314917	1	Kit, Linatex 28 Disk NOTE 2				
**!	56314476	1	Kit, Deck 2600D (56040794)	32" Disk Deck Blade Kits (After TSBUS2004-884)							
**!	56314477	1	Kit, Deck 2600C (56040794)	**	56314914	1	Kit, Gum Rubber 32 Disk NOTE 2				
**!	56314478	1	Kit, Deck 2810D (56040794)	**	56314918	1	Kit, Linatex 32 Disk NOTE 2				
**!	56314479	1	Kit, Deck 2810C (56040794)	Optional Batteries							
**!	56314717	1	Kit, Deck 3210D (56040794)	**	56391391	6	Battery, 6V, 305A/H				
**!	56314481	1	Kit, Deck 3210C (56040794)	**	56206079	6	Battery, 6V, 235A/H				
**!	56316520	1	Kit, Deck BR 600S (56040794)	Optional Battery Chargers							
**!	56316521	1	Kit, Deck BR 600SC (56040794)	**	56395101	A/R	Battery Charger, 36VDC, Auto, 20Amp, 120VAC/60HZ				
**!	56316522	1	Kit, Deck BR 700S (56040794)	**	56388502	A/R	Battery Charger, 36VDC, Auto, 25Amp, 120VAC/60HZ				
**!	56316523	1	Kit, Deck BR 700SC (56040794)	**	56388120	A/R	Battery Charger, 36VDC, Auto, 36Amp, 120VAC/60HZ				
Replacement parts for the kits listed above can be found on each kit's associated instruction sheet.				**	56372190	A/R	Battery Charger, 36VDC, 20Amp, 230VAC/50HZ				
				**	56388119	A/R	Battery Charger, 36VDC, 36Amp, 230VAC/50HZ				
				Accessories				**	56409441	A/R	Programmer, 1311 User
				**	56409823	A/R	Programmer Cable				
** = Optional, Not Included											
24" Squeegee Blade Kits											
**	56314054	1	Kit, Standard Squeegee Blade NOTE #1								
**	56314055	1	Kit, Linatex Squeegee Blade NOTE #1								
**	56314056	1	Kit, Neoprene Squeegee Blade NOTE #1								
26" & 28" Squeegee Blade Kits											
**	56314303	1	Kit, Standard Squeegee Blade NOTE #1								
**	56314304	1	Kit, Linatex Squeegee Blade NOTE #1								
**	56314305	1	Kit, Neoprene Squeegee Blade NOTE #1								
32" Squeegee Blade Kits											
**	56314060	1	Kit, Standard Squeegee Blade NOTE #1								
**	56314061	1	Kit, Linatex Squeegee Blade NOTE #1								
**	56314062	1	Kit, Neoprene Squeegee Blade NOTE #1								

NOTE #1: All squeegee blade kits include both front and rear squeegee blades.

NOTE #2: Disk Deck Blade Kits include required mounting fasteners (Rivet, Nylon Tree Push-In 56003263), the 2 blades (forward and rear) for the deck and all skirt assembly blades.

