

NOBLES®

320XP

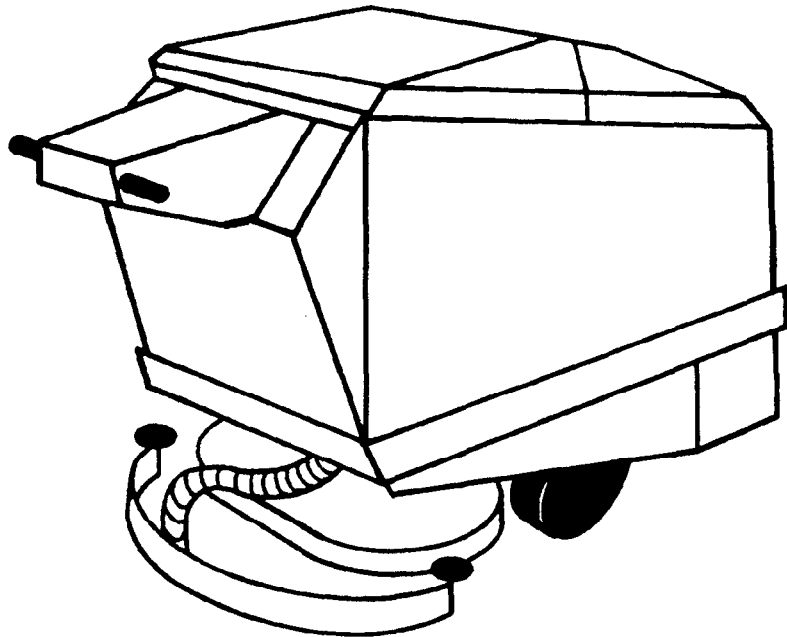
**BATTERY POWERED
AUTOMATIC SCUBBER**

MODEL: AS3200XP

Parts List



PDF Version of Manual by:
Michigan Company Inc.
2011 N. High St.
Lansing, Mich. 48906
(517) 484-9312
<http://www.Michco.Com>
Email: Shop@Michco.Com
(c) 1998 by Michco & Others.



NOBLES INDUSTRIES
12875 RANSOM STREET
HOLLAND MI 49424

A **TENNANT** COMPANY

1-800-739-9359
616-786-2330
FAX: 1-800-678-4240
CUSTOMER SERVICE: 1-800-365-6625

612526000
Rev. 01 (11-90)



320 XP Parts List

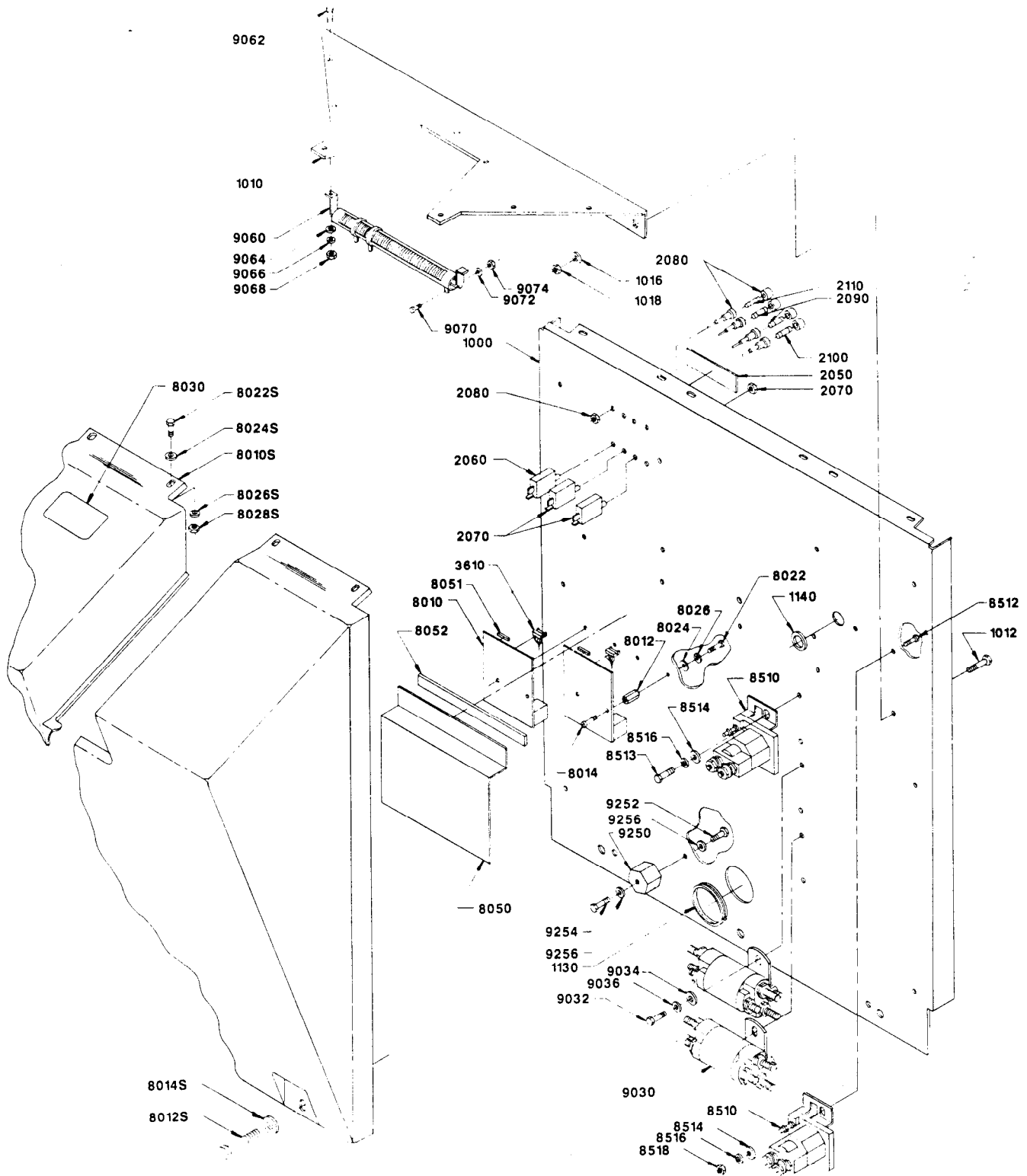
Table of Contents

SECTION A		Page
Rear Frame and Control Console Components		
Rear Panel Pictorial		4
Rear Panel Components		5
Speed Control Assembly		6
Control Console Pictorial		7
Control Console Components		8
Steering Control Assembly		8A

SECTION B

Main Frame and Corresponding Components

Drive Carriage Assembly		9
Machine Frame Pictorial (Front)		10
Machine Frame Components		10A
Scrubber Head Assembly Pictorial		11
Scrubber Head Assembly Components		12
Scrubber Head Mounting Pictorial		13
Scrubber Head Mounting Components		14
Side Panel, Door, and Decal Components		15
Machine Frame Components (Rear)		16
Battery Components		17
Hoods & Hood Support Assembly		18
Solution and Recovery Tank Components		19
Vac Motor and Float Assembly		20
Squeegee Linkage Assembly Pictorial		21
Squeegee Linkage Assembly Components		22
Squeegee Components		23
Wall Roller/Flashing Light Attachments		24
Drive Motor Components		25
Brush/Pad Motor Components		26
Electrical Schematic		27

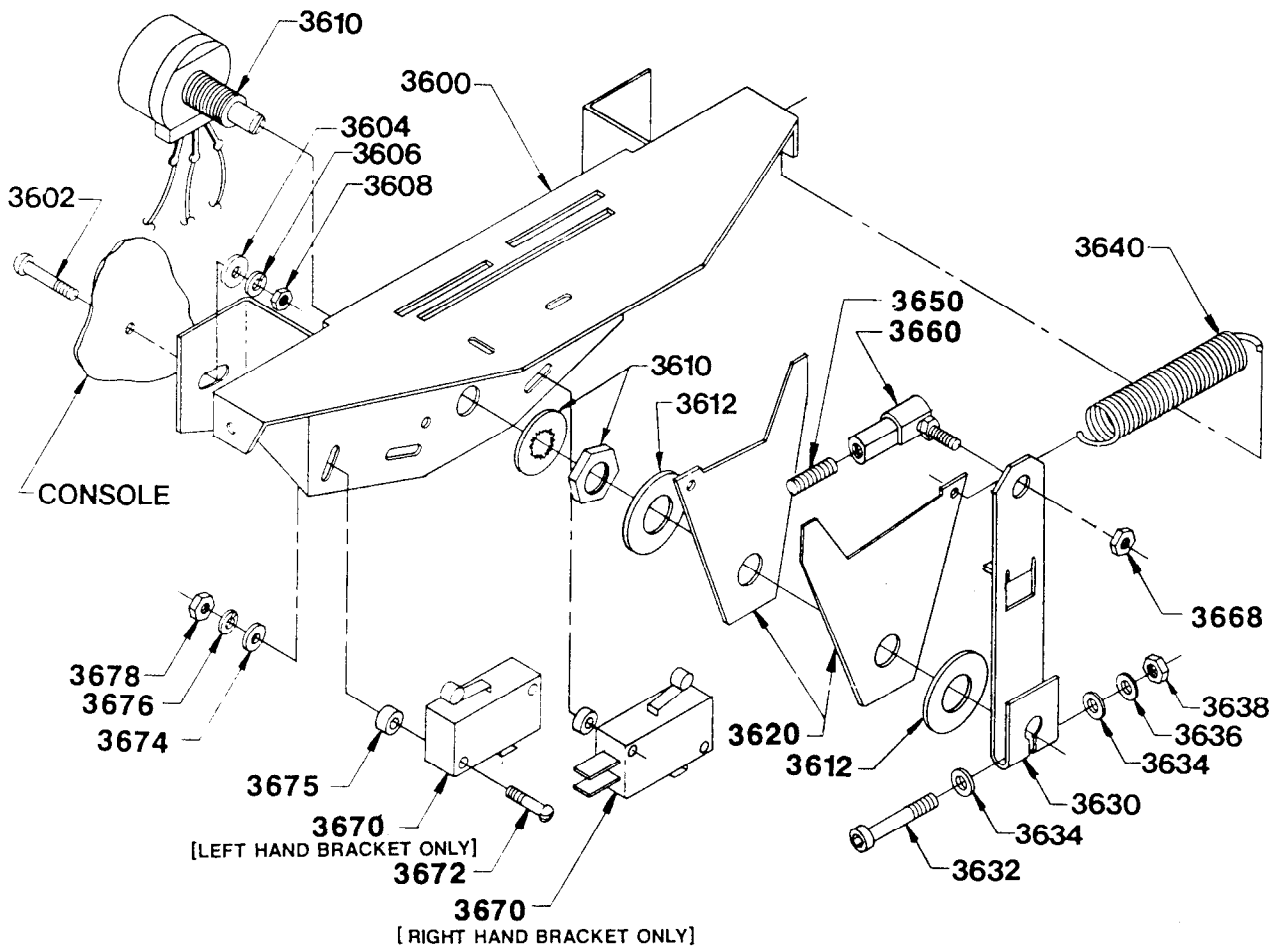


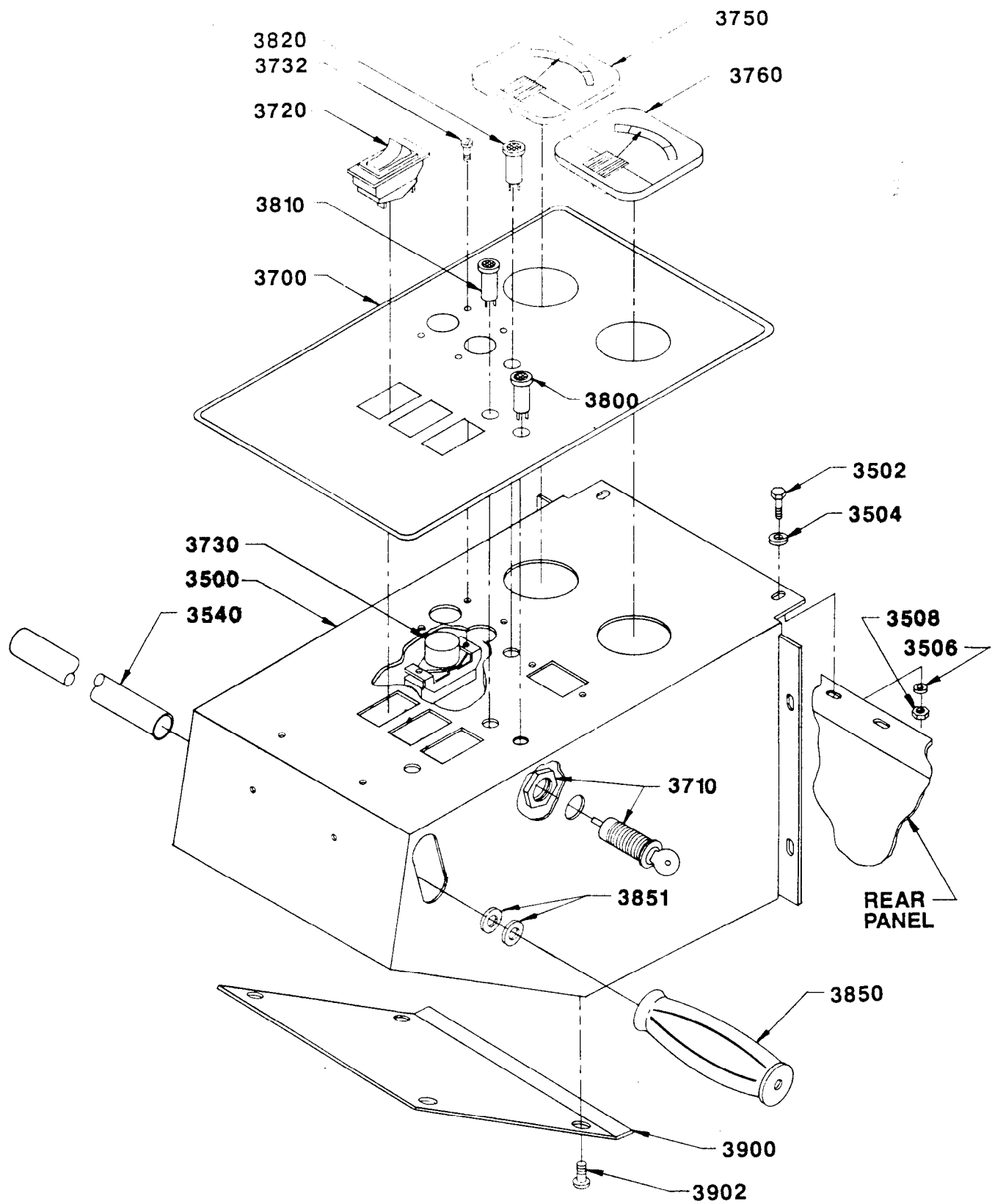
320 XP Rear Panel Components

QUANTITY	DESCRIPTION	ITEM NUMBER	PART NUMBER	REFERENCE
1	REAR FRAME, 320 XP	1000	612-535-000	
1	CONSOLE SPPT REAR FRAME STIFF, 320	1010	612-067-000	
5	SCREW, HEX HD, M06 x 16MM	1012	200-031-436	
5	WASHER, LOCK, SPG, ANSI, .25" ZP, 06	1016	069-760-085	
5	NUT, HEX, STD, M06 - 1.00, DIN 934P	1018	200-102-016	
1	GROMMET	1130	069-764-165	
1	GROMMET	1140	611-329-000	
1	DECAL, CIR. BRKRS/FUSES, R. FRAME	2050	612-501-000	
1	CIRCUIT BREAKER, 17A	2060	019-683-038	
2	CIRCUIT BREAKER, 25A	2070	069-762-039	
4	FUSEHOLDER, BAYONETTE	2080	069-760-059	
2	FUSE, 15AMP, 3AG, SLOW-BLOW	2090	069-760-639	
1	FUSE, 25AMP, 3AG, SLOW-BLOW	2100	601-078-000	
1	FUSE, 1AMP, 3AG, FAST BLOW	2110	601-091-000	
2	SPEED CONTROL, PMC, 40AMP (.46HP)	8010	611-081-000	
4	STANDOFF, #8-32, 1" LG, 36" LG, ALM	8012	611-290-000	
4	SCREW, FIL HD, PHIL, #08-32 x 0.50" LG.	8014	611-291-000	
4	SCREW, PAN HD, SLOT, #8-32, 0.38	8022	186-002-062	
4	WASHER, PLAIN, ANSI-A #08, ZP, 04	8024	069-760-097	
4	WASHER, LOCK, SPG, ANSI, #08, ZP, 04	8026	069-760-093	
1	LABEL, WARNING, FLAMMABLE AREAS	8030	069-762-438	
1	SHIELD, SPEED CONTROL, DUAL	8050	612-527-000	
2	FOAM STRIP	8051	611-303-000	
1	TAPE, ADHESIVE FOAM	8052	612-244-000	
2	CONTACTOR, 36VDC, 100A, SPNO.	8510	611-157-000	
2	SCREW, HEX HD, M06 x 16MM	8512	200-031-436	
2	SCREW, HEX HD, M06 x 10	8513	200-031-432	
4	WASHER, PLAIN, ANSI-A #12 WIDE, ZP	8514	069-760-090	
4	WASHER, LOCK, SPG, ANSI, .25" ZP, 06	8516	069-760-085	
2	NUT, HEX, STD, M06-1.00, DIN 934P	8518	200-102-016	
2	CONTACTOR, SPDT, 100A	9030	069-760-440	
4	SCREW, HEX HD, M06 x 10	9032	200-031-432	
4	WASHER, PLAIN, ANSI-A #12 WIDE, ZP	9034	069-760-090	
4	WASHER, LOCK, SPG, ANSI, .25" ZP, 06	9036	069-760-085	
1	RESISTOR, 25 OHM, 100 WATT, ADJUST.	9060	069-764-588	
2	SCREW, HEX HD, M04 x 10	9062	200-031-342	
2	WASHER, PLAIN, ANSI-A #08, ZP, 04	9064	069-760-097	
2	WASHER, LOCK, SPG, ANSI, #08, ZP, 04	9066	069-760-093	
2	NUT, HEX, STD, M04 0.70, DIN 934P	9068	200-102-014	
1	SCREW, FILL HD, PHIL, M04 x 08MM	9070	200-070-340	
1	WASHER, LOCK, SPG, ANSI, #08, ZP, 04	9072	069-760-093	
1	NUT, HEX, STD, M04 0.70, DIN 934P	9074	200-102-014	
1	STANDOFF, TERMINAL	9250	069-760-696	
1	SCREW, HEX HD, .25-20UNC x 0.50"	9252	069-762-115	
1	SCREW, HEX HD, .25-20UNC x 0.62"	9254	069-762-126	
2	WASHER, LOCK, SPG, ANSI, .25" ZP, 06	9256	069-760-085	
1	SHROUD, REAR, 320	8010S	612-017-000	
2	SCREW, HEX HD, M08 x 50	8012S	200-031-501	
2	WASHER, PLAIN, ANSI-A, .31" WD, ZP	8014S	069-760-079	
4	SCREW, HEX HD, M06 x 16MM	8022S	200-031-436	
4	WASHER, PLAIN, ANSI-A #12 WIDE, ZP	8024S	069-760-090	
4	WASHER, LOCK, SPG, ANSI, .25" ZP, 06	8026S	069-760-085	
4	NUT, HEX, STD, M06-1.00, DIN 934P	8028S	200-102-016	

320 XP Speed Control Assy

QUANTITY	DESCRIPTION	ITEM NUMBER	PART NUMBER	REFERENCE
2	SPEED CONTROL POT/SWITCH BRKT	3600	611-093-000	
4	SCREW, TRUSS HD., #10-24 UNC x 0.62	3602	069-762-238	
4	WASHER, PLAIN, ANSI-A, #10, ZP, M05	3604	069-762-056	
4	WASHER, LOCK, SPRING, ANSI, #10, ZP	3606	069-762-005	
4	NUT, HEX, STD, #10-24 UNC, ZINC PLATE	3608	069-762-255	
2	POTENTIOMETER ASSY	3610	612-532-000	
4	WASHER, PLAIN, ANSI-A, .50" NARROW, ZP	3612	611-375-000	
4	POTENTIOMETER CENTERING FINGER	3620	611-092-000	
4	POTENTIOMETER CLAMP ARM	3630	611-094-000	
2	SCREW, SOC., HD., #06-32 UNC x 1.00	3632	601-079-000	
4	WASHER, PLAIN, ANSI-A, #06, ZP	3634	069-764-053	
2	WASHER, LOCK, SPRING, ANSI, #06, ZP	3636	069-764-054	
2	NUT, HEX, STD, #06-32 UNC, ZINC PLATE	3638	069-762-159	
4	SPRING, EXT, 0.50" OD, 2.00" LG, .055" WD	3640	069-762-382	
2	ROD, LINK	3650	612-512-000	
2	BALL JOINT, 1.4-28 UNF	3660	069-760-371	
2	NUT, HEX JAM, .25-28UNF	3668	069-760-080	
2	SWITCH, MIN, SNAP, SPDT	3670	611-266-000	
4	SCREW, RND HD, SLOT, #04-40, 0.75	3672	611-270-000	
4	WASHER, FLAT, 03.2MM, 07.0, 0.5, M3	3674	200-301-012	
4	WASHER, FLAT, 02.9MM, 06, 4.03, NYL	3675	611-297-000	
4	WASHER, LOCK, SPG, ANSI #04, ZP	3676	069-760-113	
4	NUT, HEX, STD, #04-40UNC, ZINC PLATE	3678	069-760-114	



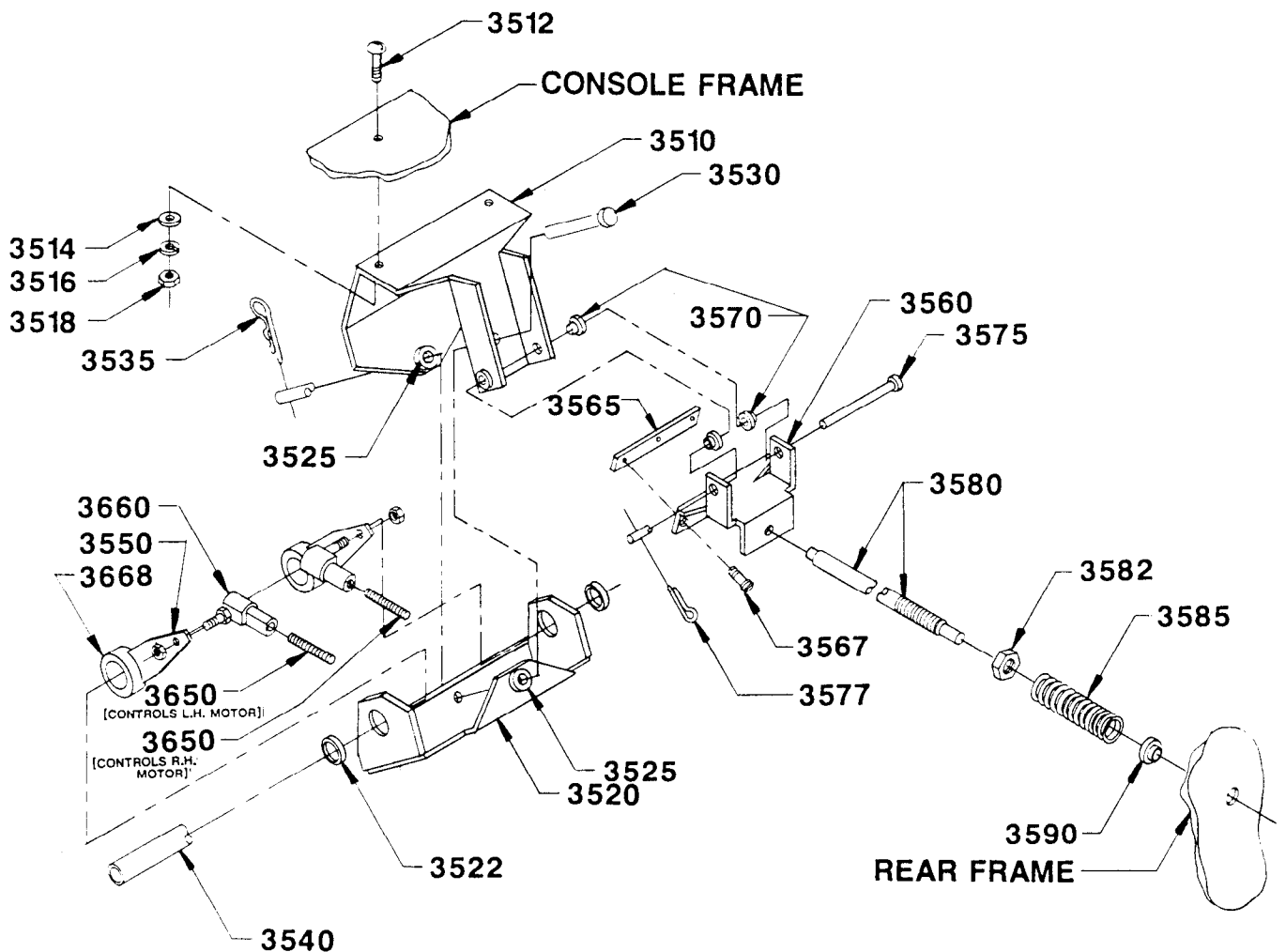


320 XP Control Console

QUANTITY	DESCRIPTION	ITEM NUMBER	PART NUMBER	REFERENCE
1	CONSOLE FRAME	3500	612-551-000	
8	SCREW, HEX HD., M06 x 16MM	3502	200-031-436	
8	WASHER, PLAIN, ANSI-A, #12 WIDE, M06	3504	069-760-090	
8	WASHER, LOCK, SPRING, ANSI, .25", M06	3506	069-760-085	
8	NUT, HEX, STD., M06	3508	200-102-016	
1	DECAL, CONSOLE	3700	612-525-000	
1	SWITCH, KEYLOCK	3710	612-540-000	
1	SCREW, RND. HD. SLOT #06-32 x 0.38	3712	069-760-102	
3	SWITCH, ROCKER	3720	039-705-081	
2	SWITCH, PUSH-BUTTON	3730	611-138-000	
4	SCREW, TRUSS HD. #06-32	3732	611-226-000	
1	AMMETER	3750	069-760-070	
1	VOLTMETER	3760	069-760-071	
1	LIGHT, PILOT, 32V, GREEN	3800	611-147-000	
1	LIGHT, PILOT, 32V, BLUE	3810	611-149-000	
1	LIGHT, PILOT, 32V, AMBER	3820	611-148-000	
2	GRIP, HANDLEBAR	3850	069-760-596	
4	WASHER, FLAT	3851	200-301-020	
1	CONSOLE LID	3900	612-052-000	
4	SCREW, TRUSS HD., #10-24 UNC x 0.62	3902	069-762-238	
1	REPLACEMENT KEY	3704	612-541-000	

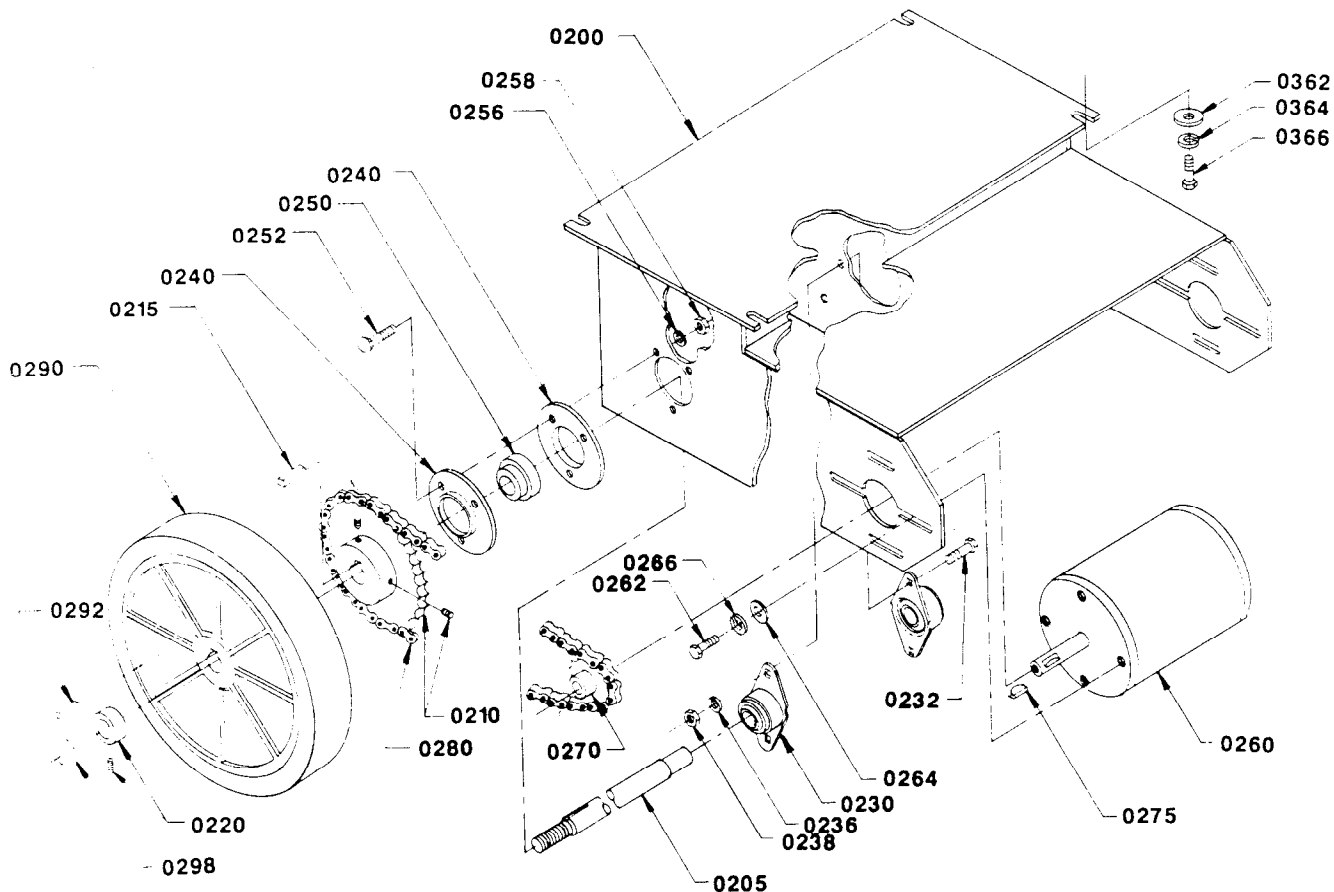
320 XP Control Console

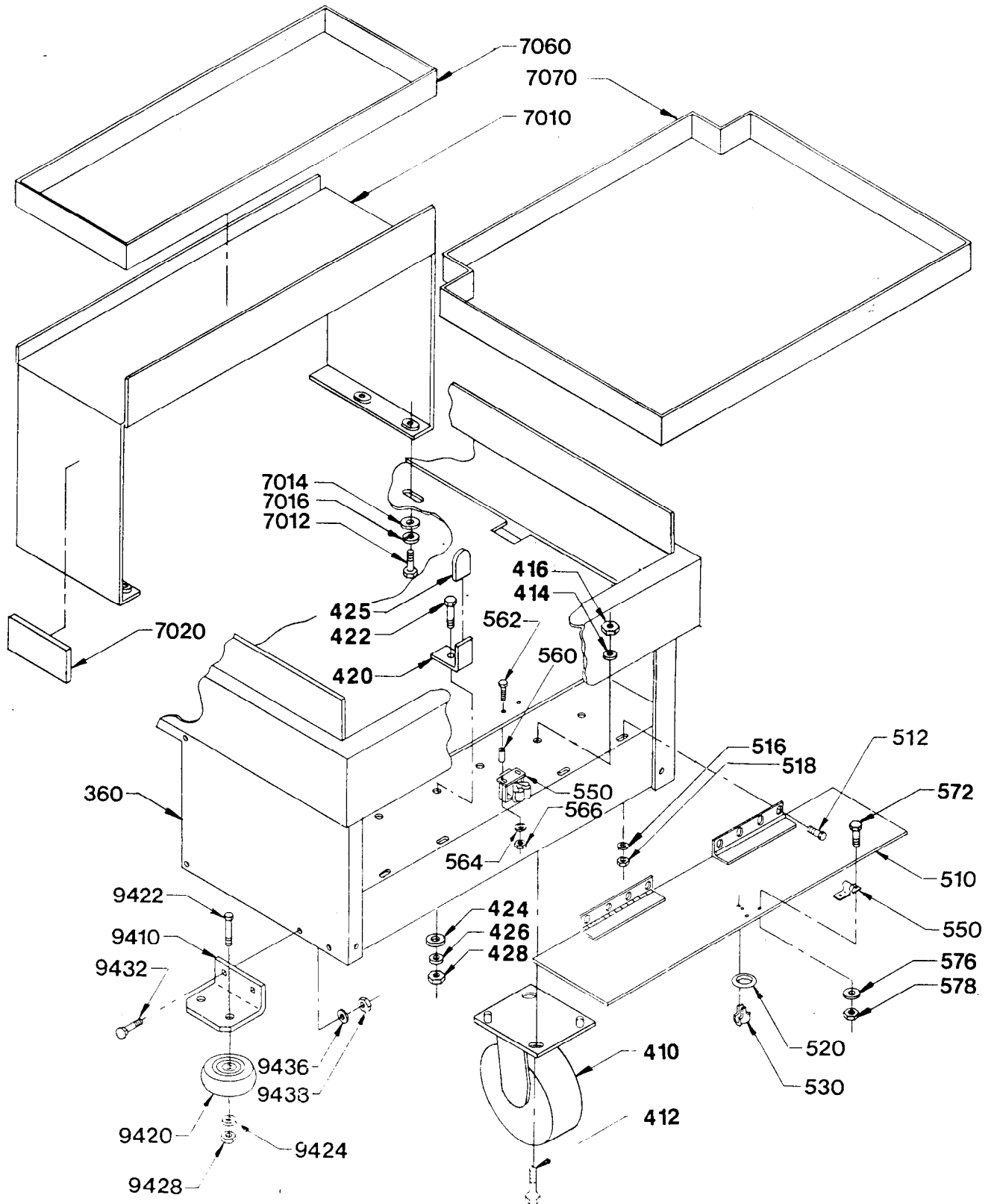
QUANTITY	DESCRIPTION	ITEM NUMBER	PART NUMBER	REFERENCE
1	STEERING YOKE, MOUNTING BRKT	3510	612-515-000	
4	SCREW, TRUSS HD, #10-24, 0.50"	3512	612-530-000	
4	WASHER, PLAIN, ANSI-A #10, ZP, .05	3514	069-762-056	
4	WASHER, LOCK, SPG, ANSI, #10, ZP, .05	3516	069-762-005	
4	NUT, HEX, STD, #10-24UNC, ZINC PLATE	3518	069-762-255	
1	STEERING YOKE	3520	612-514-000	
2	BUSHING, 22.2 ID x 06.4 LG	3522	069-760-540	
4	BEARING, FLANGE, .38ID, 50OD	3525	069-764-064	
2	PIN, CLEVIS, .38" DIA x 3.25" LG	3530	612-523-000	
1	PIN, COTTER, .06" DIA x 0.50" LG	3535	069-760-619	
1	HANDLEBAR	3540	069-764-062	
2	ARM, HANDLEBAR	3550	611-289-000	
1	STEERING YOKE, CENTER ARM	3560	612-516-000	
1	WEAR PLATE, NYLON	3565	612-531-000	
3	SCREW, B. PAN, SLOT, #06, 0.38" ZP	3567	200-441-045	
4	BEARING, FLANGE	3570	069-760-599	
1	PIN, CLEVIS, .25" DIA. x 2.75" LG	3575	069-762-023	
1	PIN, HAIRPIN	3577	069-760-415	
1	STEERING YOKE, SPRING ROD	3580	612-517-000	
2	NUT, HEX LOCK, .50-13UNC	3582	069-764-157	
2	SPRING, COMP, 1.00", 0.50, 2.00	3585	069-762-067	
1	BUSHING, PLAS. FLG, .38" ID, .50" OD	3590	612-539-000	
2	ROD, BALL JOINT LINK	3650	612-512-000	
4	BALL JOINT, 1-4-28UNF	3660	069-760-371	
4	NUT, HEX JAM, .25-28UNF	3668	069-760-080	



320 XP Drive Carriage Assy

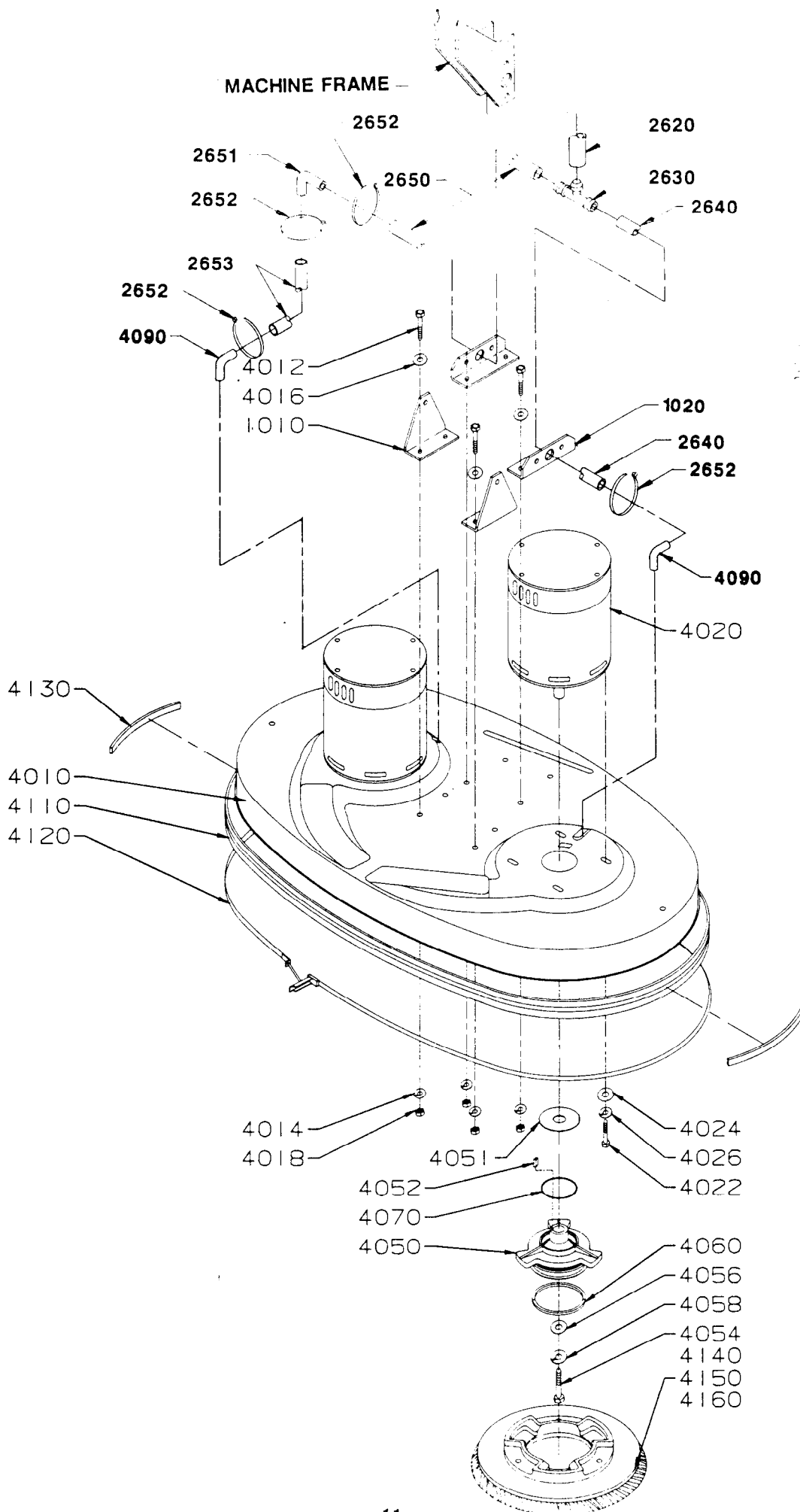
QUANTITY	DESCRIPTION	ITEM NUMBER	PART NUMBER	REFERENCE
1	TWIN PROPEL DRIVE FRAME WELD'T	0200	612-560-000	
2	AXLE SHAFT, 320XP, 1" DIA.	0205	612-559-000	
2	SPROCKET, #40 CHAIN, 54T, 1.0" ID	0210	612-567-000	
2	KEY, SQUARE, .25" x 1.12" LG.	0215	612-553-000	
2	SPACER, AXLE, 1" DIA.	0220	612-558-000	
2	BEARING, FLANGE, 0.87ID, SIN. IRON	0230	069-764-001	
3	SCREW, HEX HD, .31-18UNC x 0.62"	0232	069-760-107	
3	WASHER, LOCK, SPG, ANSI, .31" ZP, 08	0236	069-760-078	
3	NUT, HEX, STD, .31"-18UNC, ZINC PLATE	0238	069-762-010	
2	BEARING, FLANGE, 3 HOLE, 1" DIA.	0240	612-555-000	
4	BEARING, BALL, 1" DIA.	0250	612-556-000	
6	SCREW, CAR, .31-18UNC, 1.00", ZP	0252	069-762-137	
6	WASHER, LOCK, SPG, ANSI, .31" ZP, 08	0256	069-760-078	
6	NUT, HEX, STD, .31"-18UNC, ZINC PLATE	0258	069-762-010	
2	MOTOR, 36VDC, 0.20HP, 0250RPM	0260	069-764-022	
8	SCREW, HEX HD, .31-18UNC x 0.62"	0262	069-760-107	
8	WASHER, PLAIN, ANSI-A, .31" WD, ZP	0264	069-760-079	
8	WASHER, LOCK, SPG, ANSI, .31" ZP, 08	0266	069-760-078	
2	SPROCKET, #40.9 TOOTH, DBL HUB	0270	612-568-000	
2	KEY, WOODRUFF, #606, PLATED	0275	069-764-176	
2	CHAIN, #40, 76 LINKS	0280	612-566-000	
2	WHEEL, 11" DIA, 2" WIDE, 1" DIA. BORE	0290	612-544-000	
2	KEY, SQUARE, .25" x 1.50" LG.	0292	612-554-000	
2	NUT, HEX LOCK, .75-10UNC, NYLON INSERT	0298	612-074-000	
4	WASHER, PLAIN, ANSI-A, .38", ZP	0362	069-760-077	
4	WASHER, LOCK, SPG, ANSI, .44", ZP, M10	0364	069-760-088	
4	SCREW, HEX HD, M10 x 25	0366	200-031-541	





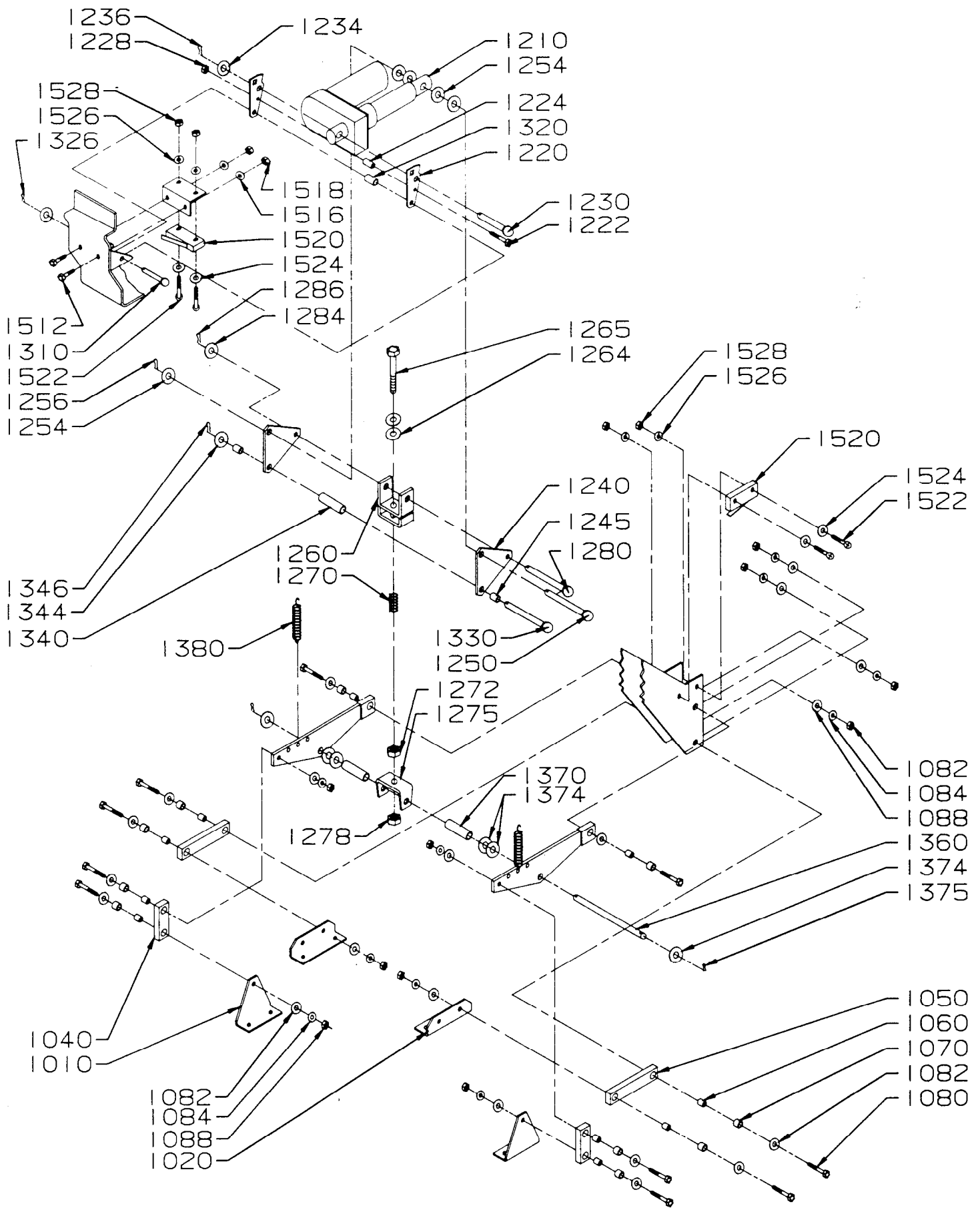
320 XP Machine Frame (Front)

QUANTITY	DESCRIPTION	ITEM NUMBER	PART NUMBER	REFERENCE
1	FRAME WELDMENT	360	612-043-000	
2	CASTER, DIA. 127mm x 50mm WIDE	410	069-760-030	
8	SCREW, HEX HD., M10 x 25	412	200-031-541	
8	WASHER, LOCK, SPRING, ANSI, .44", ZP, M10	414	069-760-088	
8	NUT, HEX, STD, M10 x 1.50	416	200-102-018	
2	BRACKET	420	069-760-792	
2	SCREW, HEX HD, M06 x 16	422	200-031-436	
2	WASHER, FLAT, 06.4 x 18.0	424	059-650-283	
2	CLOSURE, VINYL	425	612-195-000	
2	WASHER, LOCK	426	069-760-085	
2	NUT, HEX, STD, M06-1.00, DIN 934P	428	200-102-016	
1	DOOR, FRONT	510	612-033-000	
4	SCREW, HEX HD, #10-24UNC x 0.5"	512	601-092-000	
4	WASHER, LOCK, SPRING, ANSI, #10, ZP	516	069-762-005	
4	NUT, HEX, STD, #10-24UNC, ZINC PLATE	518	069-762-255	
1	HANDLE, RING	520	611-246-000	
1	HANDLE, RING RETAINER	530	611-247-000	
1	CATCH, DOUBLE ROLLER	550	612-232-000	
2	SPACER, 0.14" ID, 0.38" LG, .38" OD, NYLON	560	611-209-000	
2	SCREW, HEX HD., M03 x 20	562	200-031-268	
2	WASHER, FLAT #06	563	069-764-053	
2	WASHER, LOCK SPG 3.1 ID, M03 DIN127, ZP	564	200-351-012	
2	NUT, HEX, STD, M03 x 0.50, DIN 934P, ZP	566	200-102-012	
2	SCREW, PAN HD, SLOT, M03 x 6	572	601-093-000	
2	WASHER, LOCK SPG 3.1 ID, M03 DIN 127, ZP	576	200-351-012	
2	NUT, HEX, STD, M03 x 0.50, DIN 934P, ZP	578	200-102-012	
1	BATTERY TRAY, 32"	7010	612-537-000	
4	SCREW, HEX HD., M10 x 20	7012	200-031-538	
4	WASHER, PLAIN, ANSI-A, .38" WIDE, ZP, M10	7014	069-760-077	
4	WASHER, LOCK, SPRING, ANSI, .44" ZP, M10	7016	069-760-088	
2	CUSHION, BATTERY TRAY	7020	069-764-098	
1	BATTERY TRAY, UPPER, 32"	7060	069-763-314	
1	BATTERY TRAY, LOWER, 32"	7070	069-763-315	
2	WHEEL, BRKT, FRONT	9410	611-053-000	
2	WHEEL, RUBBER, DIA. 76 x 22 WD	9420	069-760-748	
2	SCREW, HEX HD., .31-18UNC x 1.75"	9422	069-760-092	
2	WASHER, PLAIN, ANSI-A, .25" WIDE, ZP	9424	069-760-082	
2	NUT, HEX LOCK, 31-18UNC, NYLON INSERT	9428	069-777-303	
4	SCREW, CARRIAGE, 31-18UNC x .75" LG, ZP	9432	069-767-077	
4	WASHER, LOCK, SPRING, ANSI, .31", ZP, M08	9436	069-760-078	
4	NUT, HEX, STD, 31-18UNC, ZINC PLATE	9438	069-762-010	



320 XP Scrubber Head Assy

QUANTITY	DESCRIPTION	ITEM NUMBER	PART NUMBER	REFERENCE
2	SCRUB HEAD LIFT MOUNTING BRACKET	1010	612-010-000	
2	SCRUB HEAD DRAG LINK MTG. BRACKET	1020	612-012-000	
1	HOSE, CL. VIN	2620	612-240-000	
1	FTG. TEE .50", .38", .38" HOSE, PLASTIC	2630	612-149-000	
1	HOSE, CL. VIN, 0.38" ID x 290	2640	612-241-000	
1	HOSE, CL. VIN, 0.38" ID x 120	2650	612-242-000	
1	ELBOW TUBE	2651	612-239-000	
4	WIRE TIE	2652	282-001-003	
1	HOSE, CL. VIN, 0.38" ID x 90	2653	612-243-000	
1	SCRUBBER HEAD, 320	4010	612-108-000	
8	SCREW, HEX HD., M08 x 25mm	4012	200-031-491	
8	WASHER, LOCK, SPRING, ANSI, .31", ZP, M08	4014	069-760-078	
8	WASHER, PLAIN, ANSI-A, .31" WIDE, ZP, M08	4016	069-760-079	
8	NUT, HEX, STD, M08 x 1.00	4018	200-102-017	
2	MOTOR, 36VDC, 0.75 HP, 400 RPM, IMPERIAL	4020	069-762-432	
8	SCREW, HEX HD., .25-20UNC x 0.75", SS	4022	069-760-101	
8	WASHER, PLAIN, ANSI-A, .25" WIDE, ZP	4024	069-760-082	
8	WASHER, LOCK, SPRING, ANSI, .25", ZP, M06	4026	069-760-085	
2	BRUSH, HUB, MACH, LOW PROFILE, O-RING	4050	612-003-000	
2	SHIM, 2.51 OD x 0.78 ID x 0.045 THK	4051	612-109-000	
2	KEY, 0.25" x 0.25" x 0.75"	4052	069-764-080	
2	SCREW, HEX HD., .31-18UNC x 1.00" LG SS	4054	069-764-634	
2	WASHER, FLAT, 08.31D, 25, 4.8	4056	069-764-631	
2	WASHER, LOCK, SPRING, ANSI, .31", ZP, M08	4058	069-760-078	
2	O-RING, 3.23" ID, 3.63" OD	4060	611-008-000	
2	RING, WATER CONTAINMENT	4070	069-764-512	
2	TUBE, HOSE TO BRUSH HUB	4090	612-157-000	
1	SCRUBBER EXTRUSION, 320	4100	612-055-000	
1	SCRUBBER BAND ASSY, 320	4110	612-053-000	
1	SKID STRIP	4120	611-277-000	
1	SKID STRIP	4130	611-277-000	
Set of 2	BRUSH ASSY., 16" GRIT	4140	612-227-000	
Set of 2	BRUSH ASSY., 16" POLY	4150	612-228-000	
Set of 2	PAD DRIVER ASSY.	4160	612-194-000	

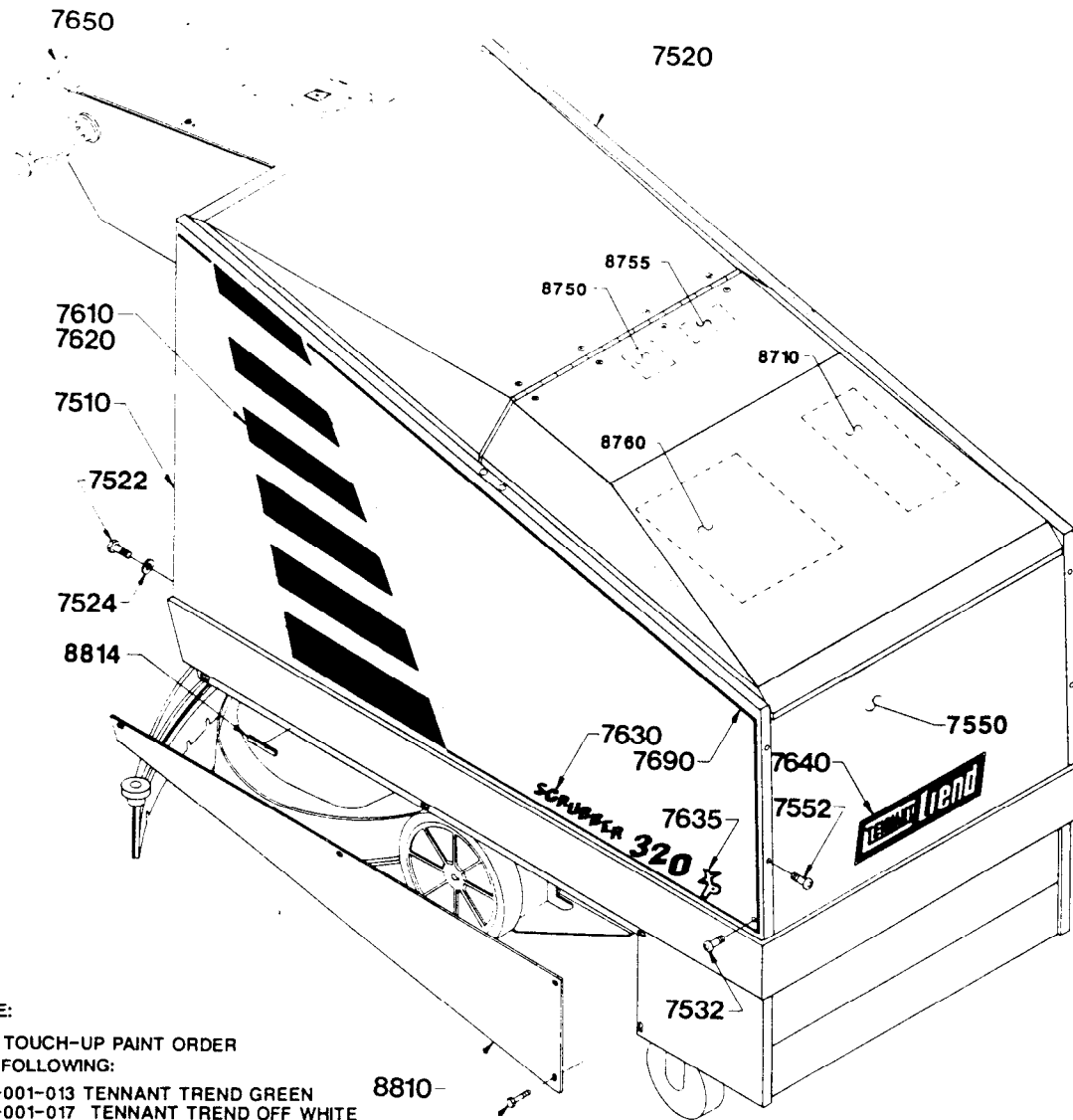


320 XP Scrubber Head Mounting

QUANTITY	DESCRIPTION	ITEM NUMBER	PART NUMBER	REFERENCE
2	SCRUB HEAD LIFT MOUNTING BRACKET	1010	612-010-000	
2	SCRUB HEAD DRAG LINK MTG BRACKET	1020	612-012-000	
2	SCRUB HEAD PRESSURE ARM	1030	612-008-000	
2	SCRUB HEAD KNUCKLE LINK	1040	612-009-000	
2	SCRUB HEAD DRAG LINK	1050	612-011-000	
10	BEARING, JOURNAL, DIA 12.7 x 12.7	1060	069-760-416	
10	SLEEVE, BEARING, DIA 12.7 x DIA 8.4 x 14	1070	069-760-417	
10	SCREW, HEX HD., M08 x 35	1080	200-031-496	
20	WASHER, NYLON, DIA 12.7 x 25.4 x .8	1082	069-761-267	
10	WASHER, PLAIN, ANSI-A, .31" WIDE, ZP, M08	1084	069-760-079	
10	NUT, HEX LOCK, M08	1088	200-160-017	
1	ACTUATOR, LINEAR, 36VDC, 102mm, STROKE	1210	069-762-436	
2	ACTUATOR FINGER LINK	1220	612-062-000	
1	SCREW, HEX HD., M06 x 40mm, DIN 933, ZP	1222	921-650-000	
1	SPACER, .37" ID x 1.12" LONG	1224	069-764-179	
1	NUT, HEX LOCK, M06	1228	200-160-016	
1	PIN, CLEVIS, .50" x 1.75" LG	1230	611-098-000	
1	WASHER, PLAIN, ANSI-A, .50" NARROW, ZP	1234	611-500-000	
1	PIN, COTTER, .12" DIA x 1.00" LG	1236	069-760-713	
2	BELLCRANK, 320	1240	612-064-000	
2	BEARING, JOURNAL, DIA 9.5 x 5.3 LG	1245	069-760-458	
1	PIN, CLEVIS, .50" DIA x 2.25" LG	1250	069-764-583	
5	WASHER, PLAIN, ANSI-A, .50" NARROW, ZP	1254	611-500-000	
1	PIN, COTTER, .12" DIA x 1.00" LG	1256	069-760-713	
1	SPRING HOLDER, DOWN PRESSURE	1260	611-271-000	
2	WASHER, FLAT, DIA 13.4 x 21.8	1264	612-161-000	
1	SCREW, HEX HD., .50-20 UNC x 4.5" ZP	1265	611-272-000	
1	SPRING, COMP, 1.00" OD, 0.50" ID, 2.00" LG	1270	069-762-067	
1	NUT, HEX, STD, .50"-20UNF, ZINC PLATE	1272	069-767-162	
1	HEAD LIFT CHANNEL	1275	612-065-000	
1	NUT, HEX, LOCK, .50"-20UNF	1278	612-091-000	
1	PIN, CLEVIS, .38" DIA x 2.25" LG	1280	069-764-081	
1	WASHER, PLAIN, ANSI-A, .38" WIDE, ZP, M10	1284	069-760-077	
1	PIN, COTTER, .12" DIA x 1.00" LG	1286	069-760-713	
1	PIN, CLEVIS, .38" x 2.12" LG	1310	611-099-000	
1	SPACER, 0.50" ID, 1.00" LG, .06" TK, METAL	1320	069-764-635	
1	WASHER, PLAIN, ANSI-A, .31" WIDE, ZP, M08	1324	069-760-079	
1	PIN, COTTER, .12" DIA x 1.00" LG	1326	069-760-713	
1	PIN, CLEVIS, .38" x 2.62" LG	1330	611-105-000	
1	SPACER, 0.50" ID, 1.50" LG, .06" TK, METAL	1340	069-760-443	
1	WASHER, PLAIN, ANSI-A, .38" WIDE, ZP, M10	1344	069-760-077	
1	PIN, COTTER, .12" DIA x 1.00" LG	1346	069-760-713	
1	PIN, HEADLESS, .50" DIA x 7.0" LG	1360	612-063-000	
2	SPACER, 0.50" ID, 1.50" LG, .06" TK, METAL	1370	069-760-443	
4	WASHER, .50" DIA, NARROW	1374	611-500-000	
2	PIN, COTTER, .12" DIA x 1.00" LG	1375	069-760-713	
2	SPRING, EXTENSION	1380	611-241-000	
1	SWITCH BRKT, ACTUATOR LINKAGE	1510	611-155-000	
2	SCREW, HEX HD., M04 x 10	1512	200-031-342	
2	WASHER, LOCK, SPRING, ANSI, #08, ZP	1516	069-760-093	
2	NUT, HEX, STD, M04 x 0.70,	1518	200-102-014	
2	SWITCH, SNAP, 25A, LEVER, SPNO&C	1520	069-764-009	
4	SCREW, HEX HD., #06-32UNC x 1.00	1522	069-764-002	
4	WASHER, PLAIN, ANSI-A, #06, ZP	1524	069-764-053	
4	WASHER, LOCK SPRING, ANSI, #06, ZP	1526	069-764-054	
4	NUT, HEX, STD, #06-32UNC, ZINC PLATE	1528	069-762-159	

320 XP Side Panels, Door & Decals

QUANTITY	DESCRIPTION	ITEM NUMBER	PART NUMBER	REFERENCE
1	PANEL WELDT, RH.	7510	611-077-000	
1	PANEL, WELDT, LH.	7520	611-079-000	
6	SCREW, HEX HD., M06 x 10	7522	200-031-432	
6	WASHER, PLAIN, ANSI-A, #12 WIDE, ZP, M06	7524	069-760-090	
2	SCREW, BUTTON HD., M08 x 10mm	7532	069-760-096	
1	PANEL, FRONT	7550	612-082-000	
6	SCREW, BUTTON HD., M06 x 08mm	7552	069-762-346	
1	DECAL, SIDE STRIPES, RH.	7610	611-178-000	
1	DECAL, SIDE STRIPES, LH. (NOT SHOWN)	7620	611-179-000	
2	DECAL, "SCRUBBER 320"	7630	612-180-000	
1	DECAL, TTI LOGO	7640	611-244-000	
1	DECAL, TENNANT TREND	7650	019-686-059	
1	DECAL, PINSTRIPING, GREEN, .125" WIDE	7690	611-279-000	
1	DECAL, MAINTENANCE	8710	611-306-000	
1	DECAL, CAUTION, CHARGING	8750	069-780-017	
1	DECAL, BATTERY CONNECTIONS	8755	601-095-000	
1	DECAL, WIRING	8760	612-504-000	
2	DOOR, SIDE	8810	611-026-000	
8	SCREW, HEX HD., M06 x 12mm	8812	200-031-433	
4	STRIP, FOAM	8814	611-303-000	
2	DECAL, "XP"	7635	611-182-000	

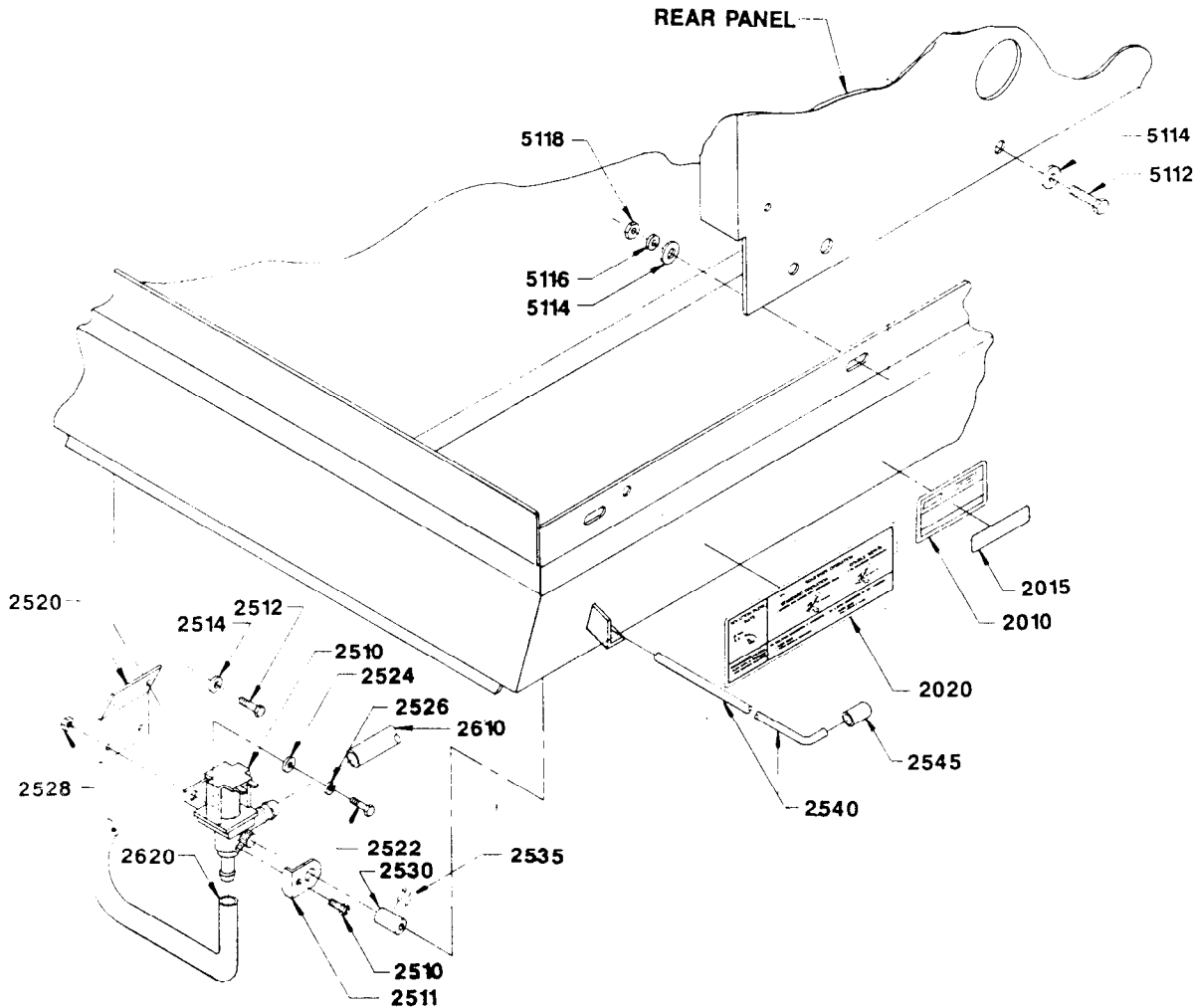


NOTE:
 FOR TOUCH-UP PAINT ORDER
 THE FOLLOWING:
 180-001-013 TENNANT TREND GREEN
 180-001-017 TENNANT TREND OFF WHITE

8810-
 8812-

320 XP Machine Frame (Rear) & Water Valve

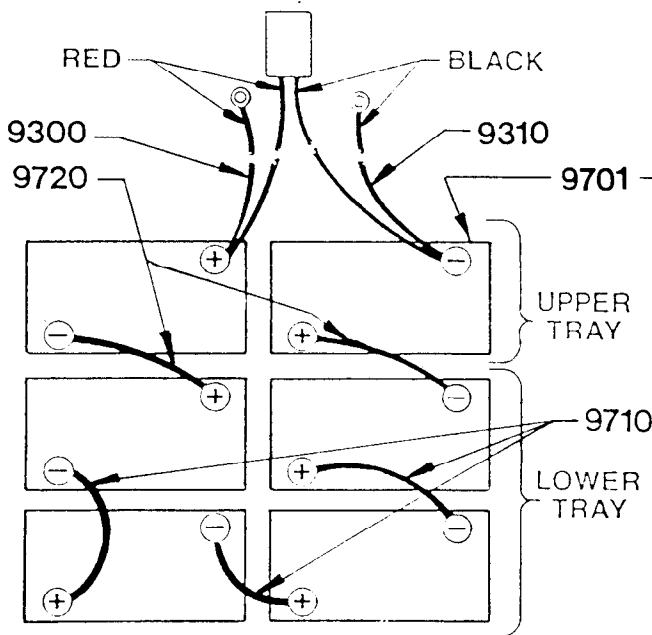
QUANTITY	DESCRIPTION	ITEM NUMBER	PART NUMBER	REFERENCE
1	LABEL, DATA PLATE PRESERIALIZED, AUTO	2010	069-762-392	
1	DECAL, MODEL ID, 320	2015	612-013-000	
1	DECAL, SQUEEGEE OPERATION	2020	612-179-000	
2	WATER VALVE, 36VDC	2510	612-022-000	
1	WATER VALVE SHAFT RETAINER	2511	612-128-000	
2	SCREW, HEX HD., M06 x 12mm	2512	200-031-433	
2	WASHER, LOCK, SPRING, ANSI, .25", ZP, M06	2514	069-760-085	
1	WATER VALVE BRACKET	2520	612-046-000	
2	SCREW, HEX HD., M06 x 12mm	2522	200-031-433	
2	WASHER, PLAIN, ANSI-A, #12 WIDE, ZP, M06	2524	069-760-090	
2	WASHER, LOCK, SPRING, ANSI, .25", ZP, M06	2526	069-760-085	
2	NUT, HEX, STD, M06 x 1.00	2528	200-102-016	
1	WATER VALVE COUPLING	2530	612-043-000	
2	SCREW, SET, #10-24 x 0.25", SOC. HD	2535	069-762-095	
1	WATER VALVE ROD	2540	612-044-000	
1	CLOSURE, VINYL	2545	612-136-000	
1	HOSE, CL VIN, 0.50" ID x 160	2610	612-153-000	
1	HOSE, CL VIN, 0.50" ID x 500	2620	612-240-000	
3	SCREW, HEX HD., M08 x 20mm	5112	200-031-488	
6	WASHER, PLAIN, ANSI-A, .31" WIDE, ZP, M08	5114	069-760-079	
3	WASHER, LOCK, SPRING, ANSI, .31", ZP, M08	5116	069-760-078	
3	NUT, HEX, STD, M08 x 1.00	5118	200-102-017	



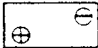
320 XP Battery Connections & Cables

QUANTITY	DESCRIPTION	ITEM NUMBER	PART NUMBER	REFERENCE
1	BATTERY CABLE, RED, 260 MAIN	9300	611-145-000	
1	BATTERY CABLE, BLACK, 260 MAIN	9310	611-146-000	
6	BATTERY, 6V, 240 AMP	9701	069-764-222	
6	BATTERY, OPTION 305 AMP	9701	069-760-654	
6	BATTERY, OPTION 370 AMP	9701	069-760-655	
3	BATTERY, CABLE, #04GA, 305mm	9710	611-116-000	
2	BATTERY, CABLE, #04GA, 380mm	9720	611-117-000	
6	BATTERY, CABLE TERMINAL BOOT, BLACK	9730	611-221-000	
6	BATTERY, CABLE TERMINAL BOOT, RED	9740	611-222-000	
12	COVER, TERMINAL	9750	611-223-000	

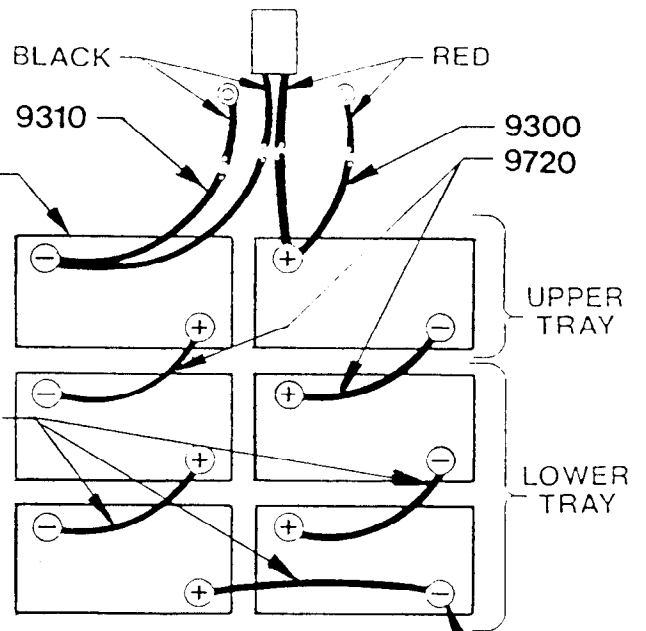
REAR OF MACHINE [OPERATOR'S POSITION]



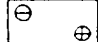
BATTERY CONNECTIONS

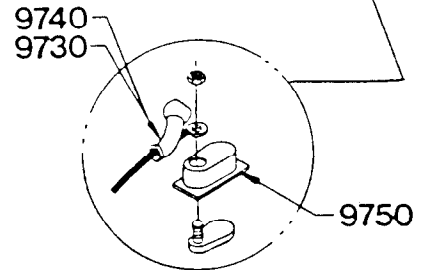
FOR MACHINES WITH  TERMINALS

REAR OF MACHINE [OPERATOR'S POSITION]



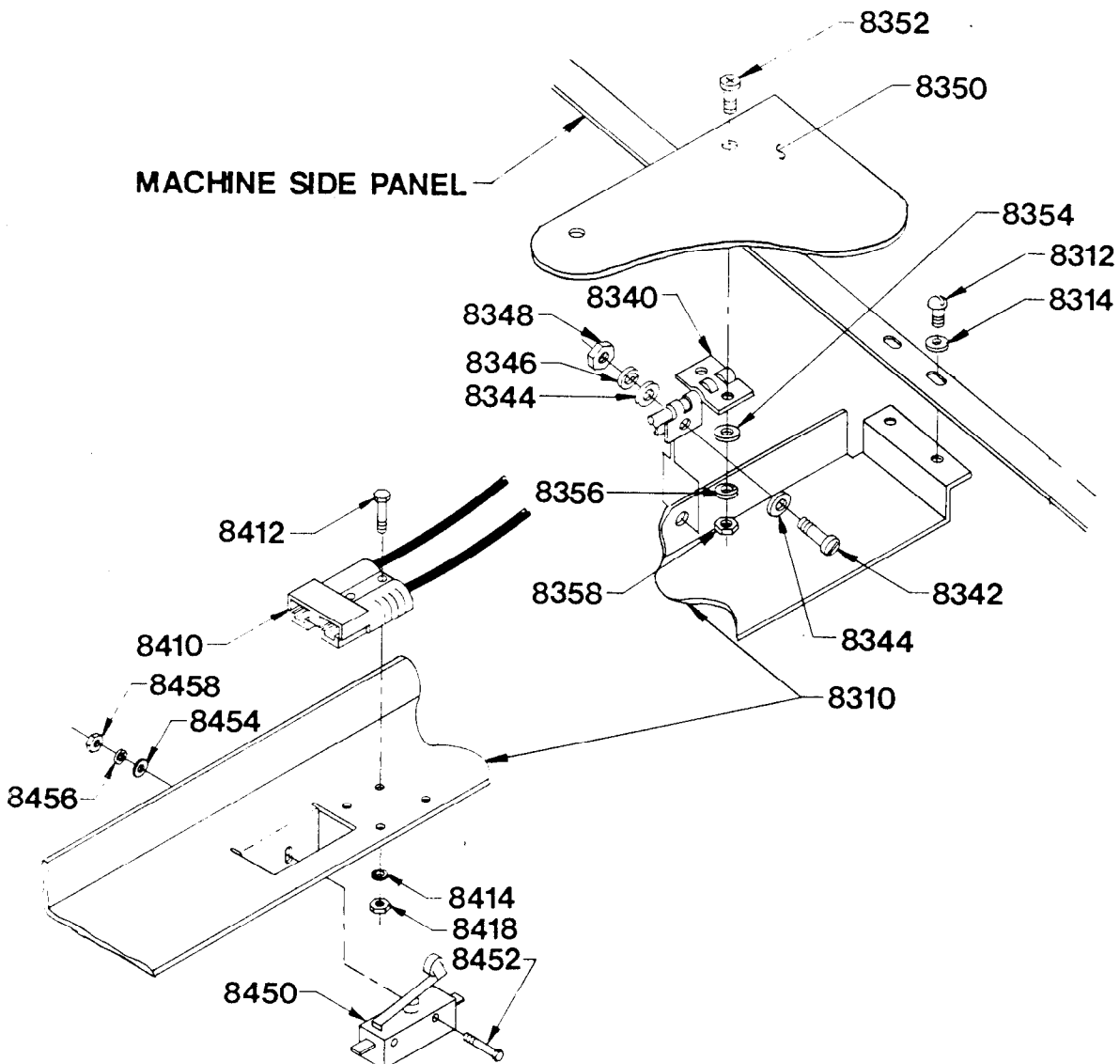
BATTERY CONNECTIONS

FOR MACHINES WITH  TERMINALS



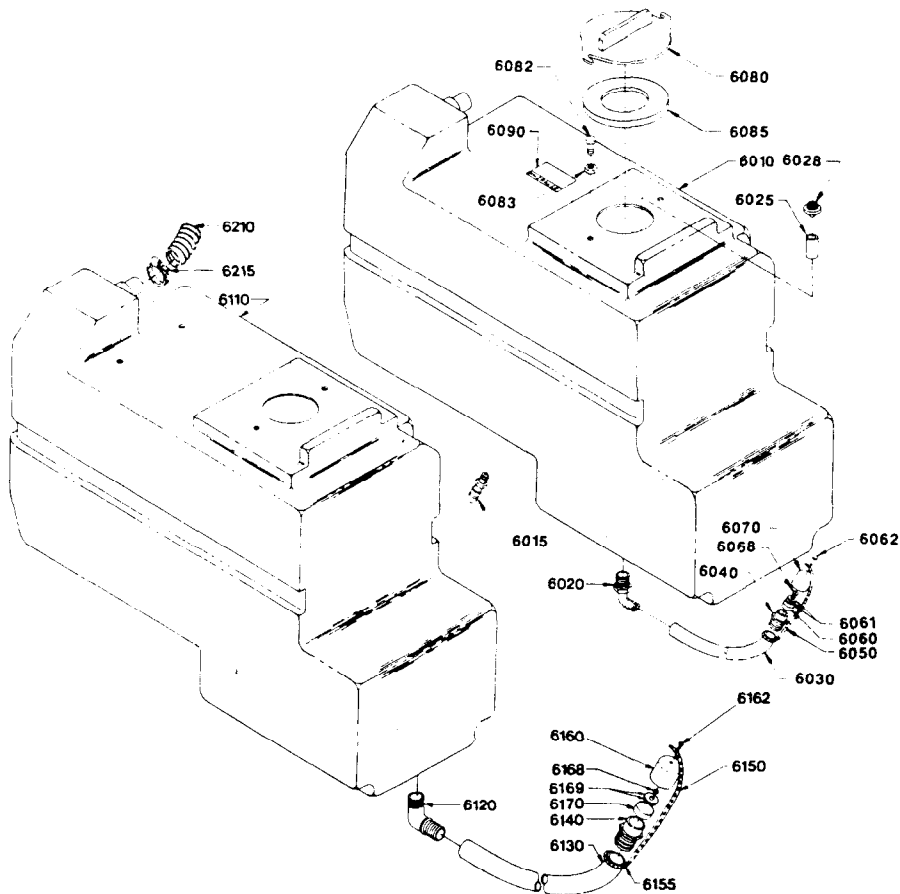
320 XP Hoods, Hood Support & Charger

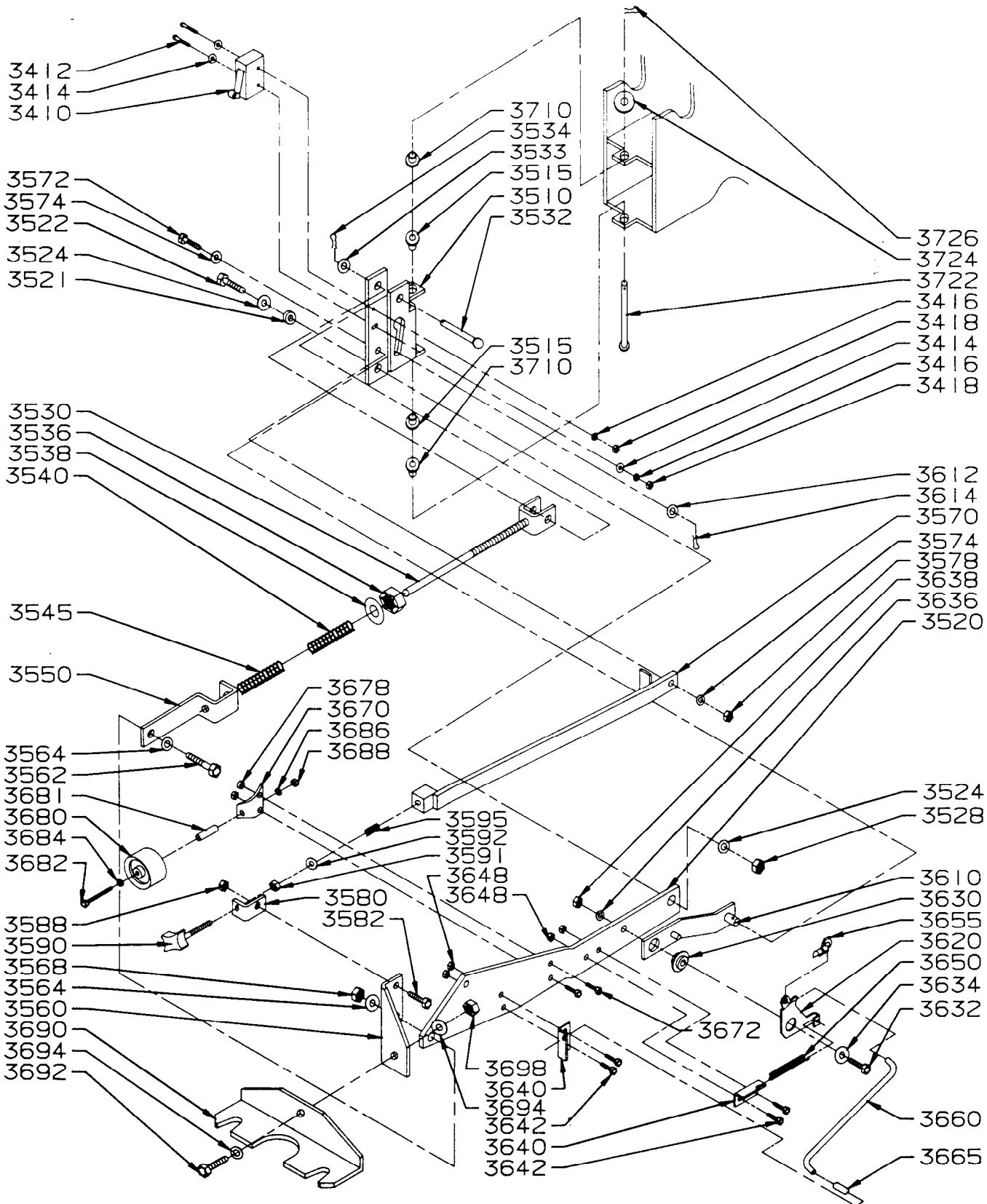
QUANTITY	DESCRIPTION	ITEM NUMBER	PART NUMBER	REFERENCE
1	HOOD SUPPORT BRKT	8310	612-139-000	
4	SCREW, TRUSS HD., #10-24 UNC x 0.62	8312	069-762-238	
4	WASHER, PLAIN, ANSI-A, #08, ZP	8314	069-760-097	
1	HINGE, HOOD	8340	612-099-000	
5	SCREW, PAN HD., SLOT, M05 x 14mm	8342	200-051-384	
10	WASHER, PLAIN, ANSI-A, #10, ZP, M05	8344	069-762-056	
5	WASHER, LOCK SPRING, ANSI, #10, ZP	8346	069-762-005	
5	NUT, HEX, STD, M05 x 0.80	8348	200-102-015	
1	HOOD, FRONT	8350	612-019-000	
1	HOOD, REAR	8351	612-018-000	
12	SCREW, FLAT HD., PHIL, M05 x 16mm, BLACK	8352	069-764-140	
12	WASHER, PLAIN, ANSI-A, #10, ZP, M05	8354	069-762-056	
12	WASHER, LOCK, SPRING, ANSI, #10, ZP	8356	069-762-005	
12	NUT, HEX, STD, M05 x 0.80	8358	200-102-015	
1	BATTERY CABLE & 50A CONNECTOR ASSY	8410	611-119-000	
2	SCREW, HEX, HD., #06-32 UNC x 1.00	8412	069-764-002	
2	NUT, HEX STD, #06-32 UNC	8414	069-762-159	
2	WASHER, LOCK, SPRING, ANSI, #06	8418	069-764-054	
1	SWITCH, SNAP, 25A, ROLLER, SPNO & C	8450	069-764-008	
2	SCREW, HEX HD., #06-32 UNC x 1.00	8452	069-764-002	
2	WASHER, PLAIN, ANSI-A, #06, ZP	8454	069-764-053	
2	WASHER, LOCK, SPRING, ANSI, #06, ZP	8456	069-764-054	
2	NUT, HEX, STD, #06-32 UNC, ZINC PLATE	8458	069-762-159	



320 XP Solution & Recovery Tanks

QUANTITY	DESCRIPTION	ITEM NUMBER	PART NUMBER	REFERENCE
1	TANK, SOLUTION	6010	612-135-000	
1	FITTING, 0.5" HOSE x 0.50" NPT	6015	069-764-593	
1	FITTING, ELBOW, 0.75" HOSE x 0.75" NPT	6020	612-152-000	
1	SLEEVE, STRAINER	6025	601-105-000	
1	STRAINER, SOLUTION TANK	6028	069-760-038	
1	SOLUTION DRAIN HOSE	6030	612-143-000	
1	FITTING, 0.75" x 0.75" NPT	6040	612-146-000	
1	CHAIN	6050	039-706-113	
1	SOLUTION DRAIN CAP SEAL	6060	612-145-000	
2	WASHER, SPECIAL FLAT, PLASTIC	6061	601-076-000	
1	SCREW, PAN HD., SLOT, M04x 12mm	6062	200-055-343	
1	NUT, HEX LOCK, M04	6068	200-160-014	
1	CAP, 0.75" NPT, PLASTIC W/HOLE	6070	612-158-000	
1	LID WELD'T., SOLUTION TANK	6080	612-140-000	
2	WELD STUD, M08 x 25mm	6082	069-764-156	
2	NUT, HEX, STD, M08 x 1.00	6083	200-102-017	
1	GASKET, FOAM, 152. OD, 102 ID, 9.5 THK	6085	069-760-241	
1	LABEL, INFO, ATTENTION, HOT WATER TEMP	6090	069-762-445	
1	TANK, RECOVERY, 320	6110	612-134-000	
1	FITTING, ELBOW, 1.25" HOSE x 1.25" NPT	6120	069-764-073	
1	HOSE, CLR, VIN, 1.25" ID, .19" THK, 1219mm	6130	069-764-074	
1	FITTING, 1.25" HOSE x 1.25" NPT, PVC	6140	069-764-075	
1	CHAIN	6150	039-706-113	
1	WIRE TIE	6155	282-001-008	
1	CAP, 1.25NPT, PLASTIC, W/HOLE	6160	069-764-657	
1	SCREW, PAN HD., SLOT, M04 x 12mm	6162	200-055-343	
1	NUT, HEX LOCK, M04	6168	200-160-014	
2	WASHER, SPECIAL, PLASTIC	6169	601-062-000	
1	SEAL FOR CAP 069-764-076	6170	069-764-077	
1	HOSE, RECOVERY, 38 ID x 1200 LG	6210	601-073-000	
1	CLAMP, HOSE	6215	190-005-008	





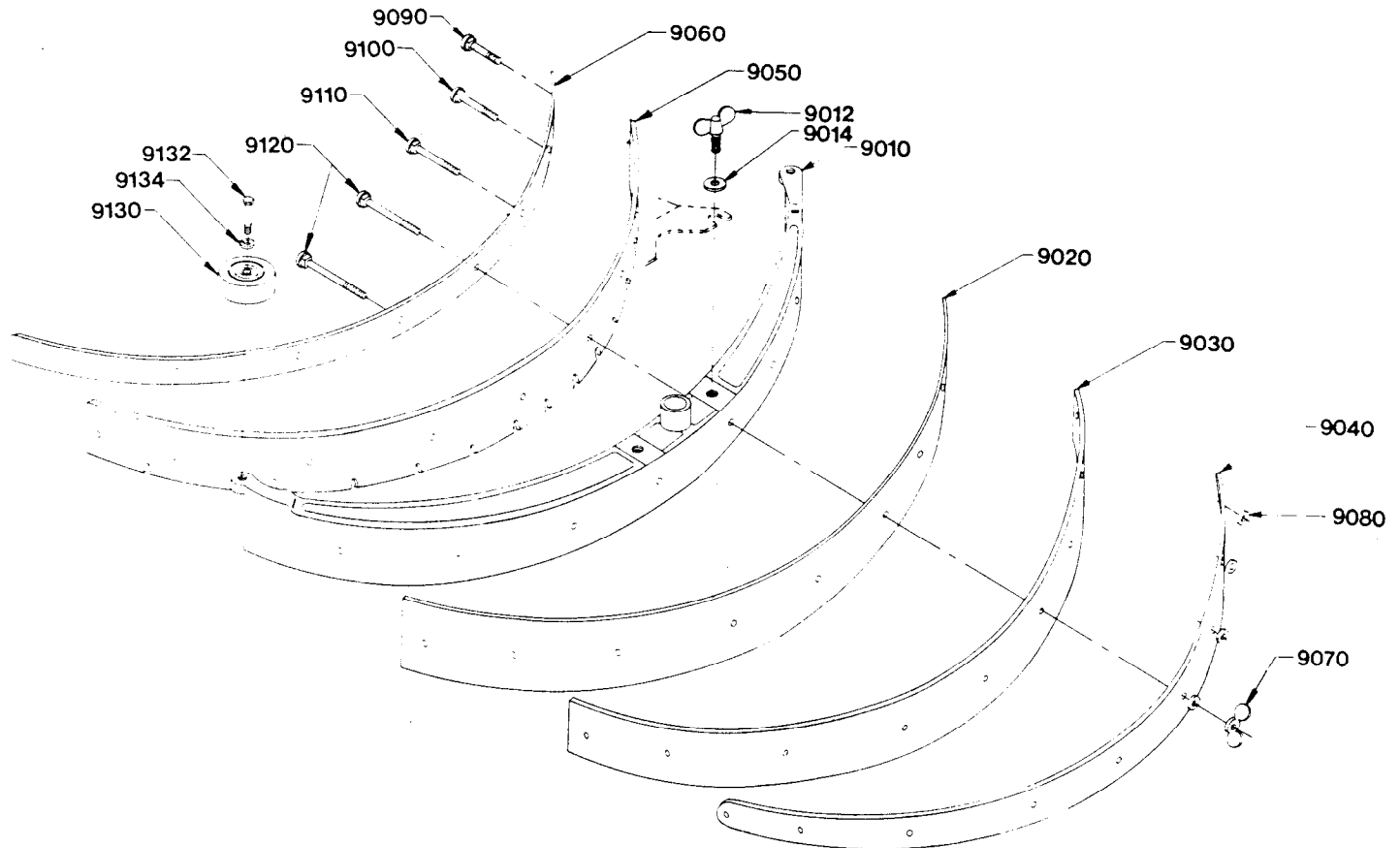
320 XP Squeegee Assy

QUANTITY	DESCRIPTION	ITEM NUMBER	PART NUMBER	REFERENCE
1	SWITCH, SNAP, 25A, ROLLER, SPNO&C	3410	069-764-008	
2	SCREW, HEX HD., #06-32UNC x 1.00	3412	069-764-002	
3	WASHER, PLAIN, ANSI-A, #06 ZP	3414	069-764-053	
2	WASHER, LOCK, SPRING, ANSI, #06, ZP	3416	069-764-054	
2	NUT, HEX, M03, SS	3418	200-633-012	
1	SQUEEGEE LINKAGE SWIVEL BRKT	3510	612-107-000	
2	BEARING, FLANGE, .38ID, .50 OD OILITE	3515	069-764-064	
1	SQUEEGEE SUSPENSION ARM	3520	612-111-000	
1	SLEEVE, 12.70 OD, 10.32ID, 6.10LG	3521	612-071-000	
1	SCREW, HEX HD., M10 x 25	3522	200-031-541	
1	WASHER, PLAIN, ANSI-A, .30" WIDE, ZP, M10	3524	611-375-000	
1	NUT, HEX LOCK, M10	3528	200-160-018	
1	SQUEEGEE SPRING ROD	3530	612-112-000	
1	PIN, CLEVIS, .38" DIA x 1.75" LG	3532	601-103-000	
1	WASHER, PLAIN, ANSI-A, .30" WIDE, ZP, M10	3533	069-760-077	
1	PIN, COTTER, .12" DIA x 1.00" LG	3534	069-760-713	
1	NUT, HEX, STD, .50" - 13UNC, ZINC PLATE	3536	069-760-110	
1	WASHER, PLAIN, ANSI-A, .50" WIDE, ZP	3538	069-760-091	
2	SPRING, COMP, 25.4 OD x 13.0 ID x 140 LG	3540	069-760-419	
1	SPRING, COMP, 25.4 OD x 13.0 ID x 114 LG	3545	612-238-000	
1	SQUEEGEE ROD GUIDE	3550	612-113-000	
1	SQUEEGEE ATTITUDE BRKT	3560	612-115-000	
1	SCREW, HEX HD., M10 x 30mm	3562	612-255-000	
2	WASHER, PLAIN, ANSI-A, .38" WIDE, ZP, M10	3564	069-760-077	
1	NUT, HEX LOCK, M10	3568	200-160-018	
1	SQUEEGEE ATTITUDE ARM	3570	612-114-000	
1	SCREW, HEX HD., M08 x 25mm	3572	200-031-491	
2	WASHER, PLAIN, ANSI-A, .31" WIDE, ZP, M08	3574	069-760-079	
1	NUT, HEX LOCK, M08	3578	200-160-017	
1	SQUEEGEE KNOB ANGLE BRACKET	3580	612-120-000	
1	SCREW, HEX HD., M08 x 20mm	3582	200-031-488	
1	NUT, HEX LOCK, M08	3588	200-160-017	
1	KNOB, PLASTIC, .31-18UNC x 2.25"	3590	069-764-192	
1	NUT, HEX LOCK, .31-18UNC, NYLON INSERT	3591	069-777-303	
1	WASHER, PLAIN, ANSI-A, .31" WIDE, ZP, M08	3592	069-760-079	
1	SPRING, SQUEEGEE KNOB	3595	612-126-000	
1	SQUEEGEE HANGER LINK	3610	612-116-000	
1	WASHER, PLAIN, ANSI-A, .38" WIDE, ZP, M10	3612	069-760-077	
1	PIN, COTTER, .12" DIA x 1.00" LG	3614	069-760-713	
1	SQUEEGEE LOCK ACTUATOR	3620	612-117-000	
1	SQUEEGEE HANGER & LOCK PIVOT SLEEVE	3630	612-118-000	
1	SCREW, HEX HD., M08 x 30mm	3632	200-031-494	
1	WASHER, PLAIN, ANSI-A, .31" WIDE, ZP, M08	3634	069-760-079	
1	WASHER, LOCK, SPRING, ANSI, .31", ZP, M08	3636	069-760-078	
1	NUT, HEX, STD, M08 x 1.00	3638	200-102-017	
2	SQUEEGEE SPRING & ROD BRACKET	3640	612-119-000	
4	SCREW, HEX HD., M06 x 20mm	3642	200-031-438	
4	NUT, HEX, STD, M06 x 1.00	3648	200-102-016	
1	SPRING, EXT, 0.50"OD, 2.0"LG, .063"WD	3650	612-127-000	
1	CLIP, LINKAGE, .25" DIA, ROD	3655	611-059-000	
1	SQUEEGEE LATCH ROD	3660	612-121-000	
1	CLOSURE, VINYL	3665	612-136-000	
1	SQUEEGEE WHEEL BRACKET	3670	612-122-000	
2	SCREW, HEX HD., M06 x 20mm	3672	200-031-438	
2	NUT, HEX, STD, M06 x 1.00	3678	200-102-016	
1	WHEEL, 2.00" PLASTIC	3680	612-125-000	
1	SPACER, RND, 06.5ID, 07.9OD, 28LG, STEEL	3681	612-124-000	
1	SCREW, HEX HD., M06 x 40mm, DIN 933, ZP	3682	921-640-000	
1	WASHER, PLAIN, ANSI-A, #12 WIDE, ZP, M06	3684	069-760-090	
1	WASHER, LOCK, SPRING, ANSI, .25", ZP, M06	3686	069-760-085	
1	NUT, HEX, STD, M06 x 1.00	3688	200-102-016	
1	SQUEEGEE MOUNTING BRACKET	3690	612-123-000	
1	SCREW, HEX HD., M10 x 25	3692	200-031-544	
2	WASHER, PLAIN, ANSI-A, .38" WIDE, ZP, M10	3694	069-760-077	
1	NUT, HEX LOCK, M10	3698	200-160-018	
2	BEARING, FLANGE, .38ID, .50 OD OILITE	3710	069-764-064	
1	PIN, CLEVIS, .38" DIA x 4.62" LG	3722	069-764-065	
1	WASHER, PLAIN, ANSI-A, .38" WIDE, ZP, M10	3724	069-760-077	
1	PIN, COTTER, .12" DIA x 1.00" LG	3726	069-760-713	

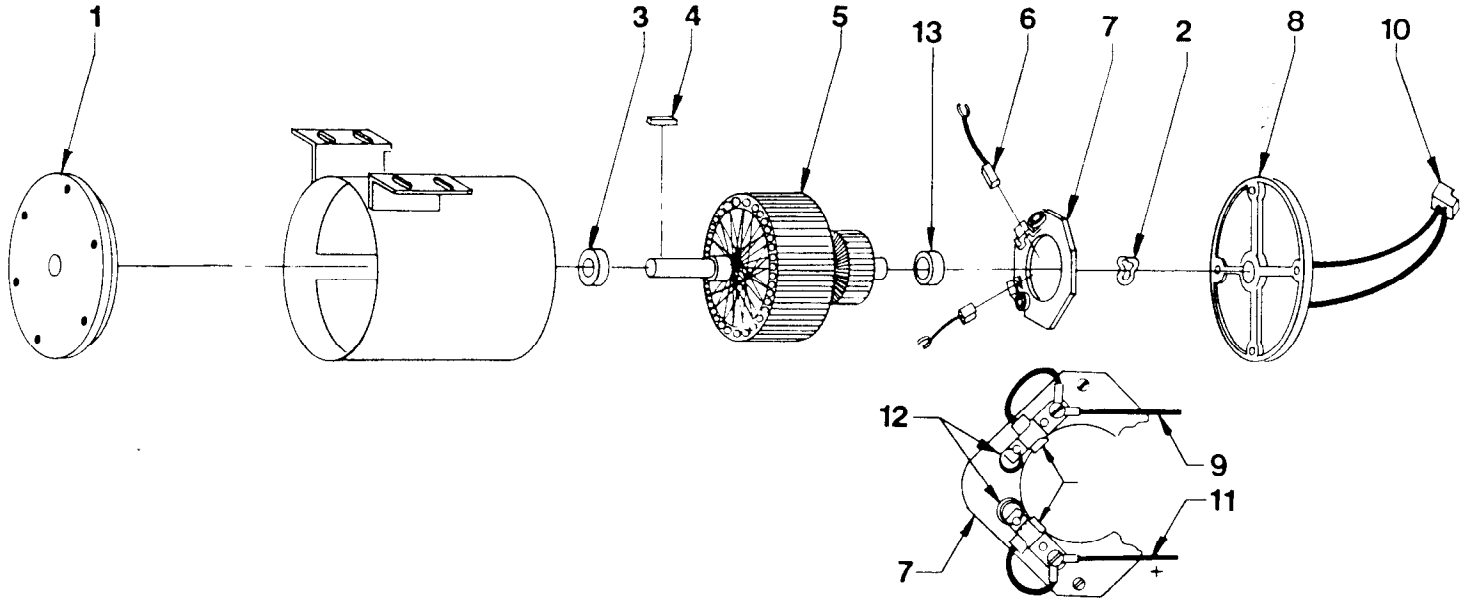
320 XP Squeegee Assy

QUANTITY	DESCRIPTION	ITEM NUMBER	PART NUMBER	REFERENCE
1	SQUEEGEE, MACHINED, 32"	9010	469-761-853	
2	SCREW, WING, .50-13 x 1.00"	9012	069-764-149	
2	WASHER, PLAIN, ANSI-A, .50" WIDE, ZP	9014	069-760-091	
1	BLADE, SQUEEGEE, REAR	9020	067-761-601	
1	STRIP, BACK UP, SQUEEGEE	9030	067-761-603	
1	STRIP, RETAINER, REAR	9040	069-761-604	
1	BLADE, SQUEEGEE, FRONT	9050	067-761-602	
1	STRIP, RETAINER, FRONT	9060	069-761-605	
10	NUT, WING, .25-20UNC	9070	612-090-000	
10	WASHER, FLAT, 07.9ID, 19, 1.7, .25"SS	9080	069-762-311	
2	SCREW, CARRIAGE, .25-20UNC x 1.5	9090	612-184-000	
2	SCREW, CARRIAGE, .25-20UNC x 2.0	9100	612-185-000	
2	SCREW, CARRIAGE, .25-20UNC x 2.5	9110	612-186-000	
4	SCREW, CARRIAGE, .25-20UNC x 2.75	9120	612-187-000	
2	WHEEL, RUBBER, DIA 76 x 22 WD	9130	069-760-748	
2	SCREW, HEX HD., .31-18UNC x 1.75"	9132	069-760-092	
2	WASHER, PLAIN, ANSI-A, .25" WIDE, ZP	9134	069-760-082	

NOTE: FOR SQUEEGEE BLADE REPLACEMENT KIT (INCLUDES 9020, 9030, & 9050)
ORDER 199-201-018

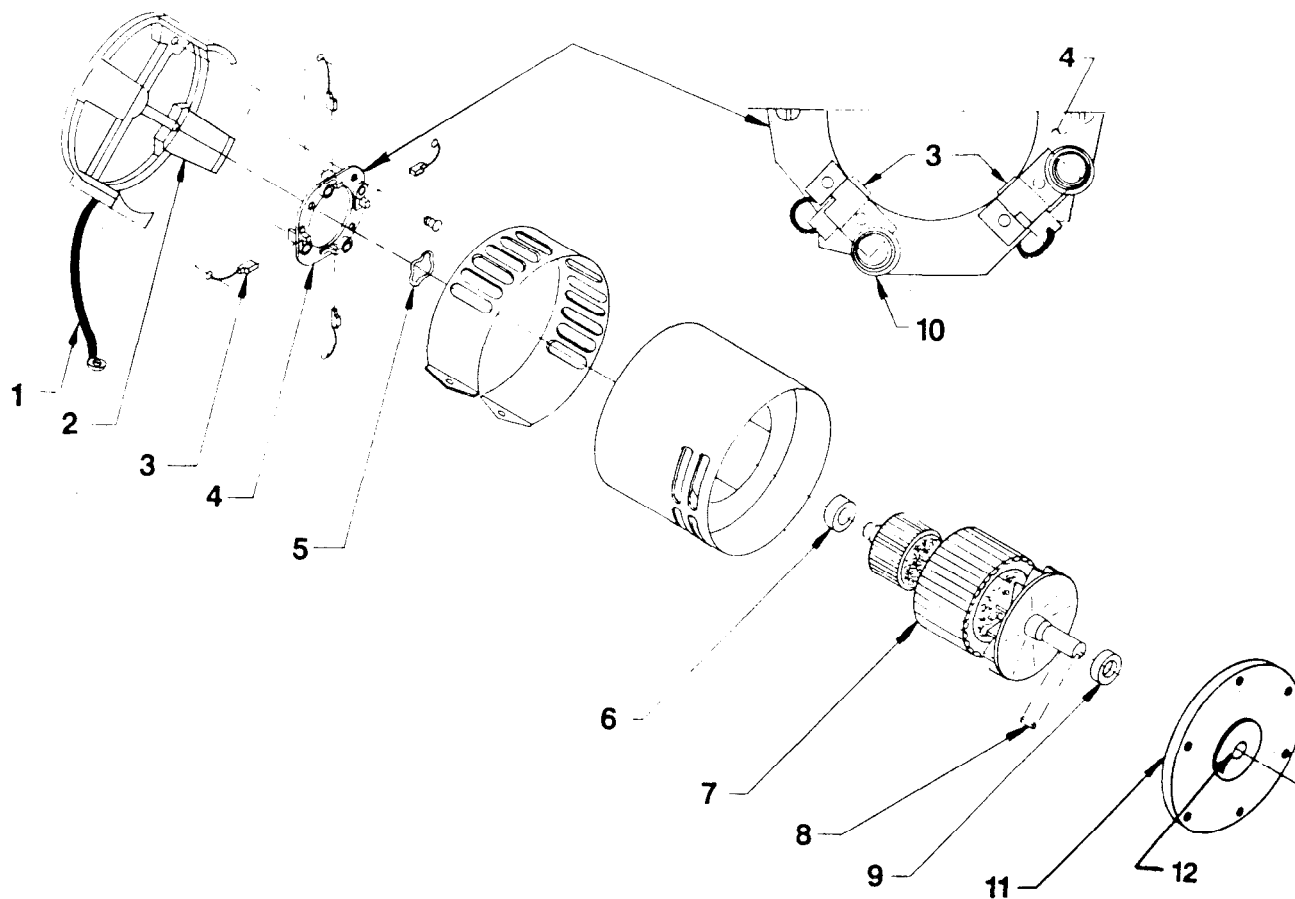


320 XP Drive Motor

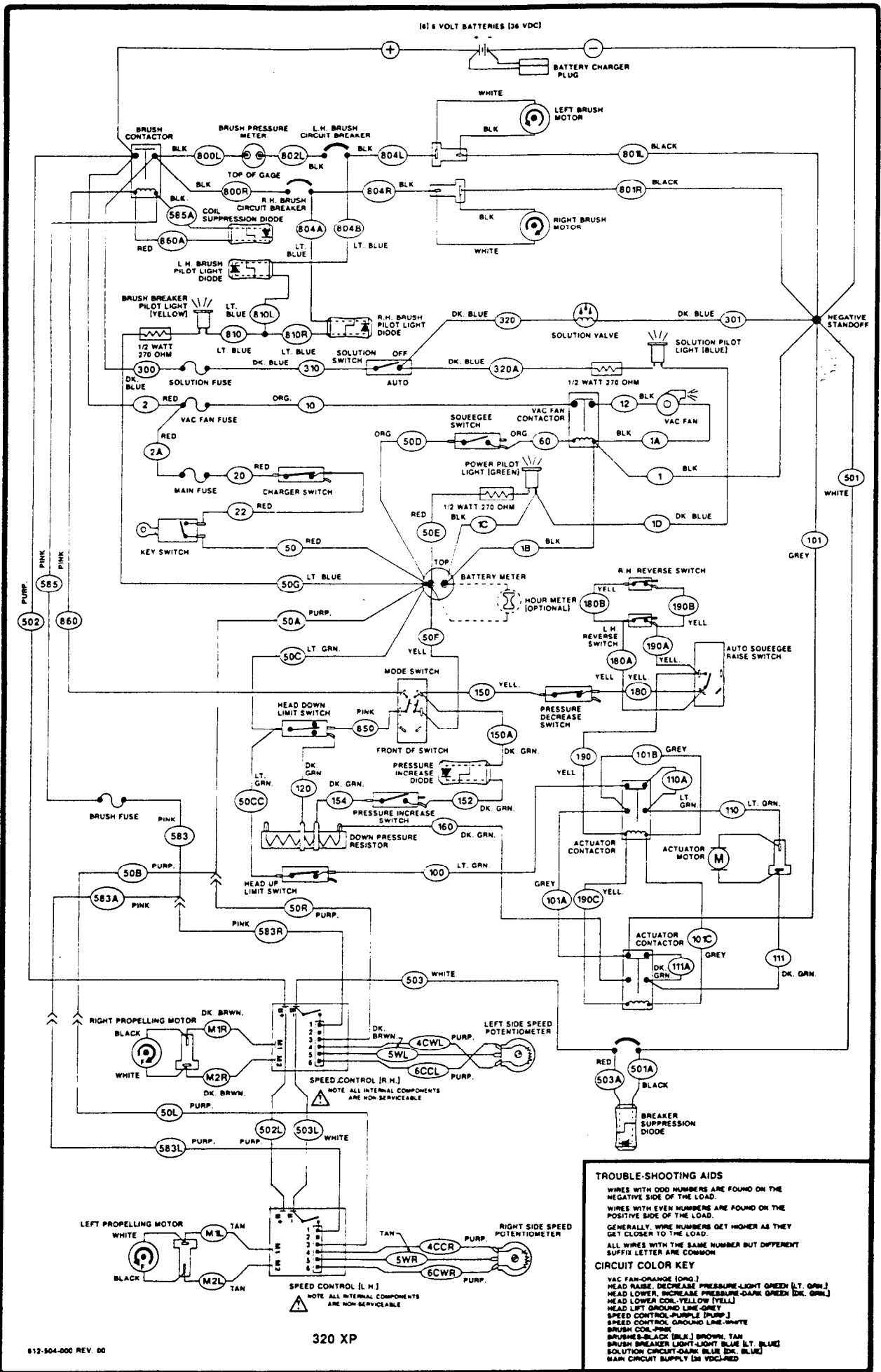


QUANTITY	DESCRIPTION	ITEM NUMBER	PART NUMBER	REFERENCE
1	B. E. BRACKET	1	602-086-000	
1	HELICAL WASHER	2	602-087-000	
1	BEARING	3	602-088-000	
1	KEY, SHAFT	4	069-764-176	
1	ARMATURE ASSEMBLY (INCL. ITEMS 3 AND 13)	5	602-090-000	
Set of 2	BRUSH ASSEMBLY	6	602-084-000	
1	BRUSH BOARD ASSEMBLY (INCL. ITEMS 6 AND 12)	7	602-091-000	
1	COMMUTATOR BRACKET	8	602-092-000	
1	LEAD ASSEMBLY	9	602-093-000	
1	CONNECTOR HOUSING	10	602-094-000	
1	LEAD ASSEMBLY	11	602-095-000	
Set of 2	BRUSH SPRING	12	602-096-000	
1	BEARING	13	602-088-000	

320 XP Brush/Pad Motor



QUANTITY	DESCRIPTION	ITEM NUMBER	PART NUMBER	REFERENCE
1	LEAD ASSEMBLY	1	611-284-000	
1	COMMUTATOR BRACKET	2	611-288-000	
Set of 4	BRUSH ASSEMBLY	3	611-287-000	
1	BRUSH BOARD ASSY. (INCL. ITEMS 3 AND 10)	4	611-283-000	
1	HELICAL WASHER	5	602-087-000	
1	BEARING	6	602-088-000	
1	ARMATURE ASSEMBLY (INCL. ITEMS 6 AND 9)	7	612-246-000	
1	KEY, SHAFT	8	069-764-080	
1	BEARING	9	602-104-000	
Set of 4	BRUSH SPRING	10	602-131-000	
1	COMMUTATOR BRACKET	11	611-286-000	
1	OIL SEAL	12	601-077-000	



612-504-000 REV. 00

320 XP

TROUBLE-SHOOTING AIDS

WIRES WITH ODD NUMBERS ARE FOUND ON THE NEGATIVE SIDE OF THE LOAD.

WIRES WITH EVEN NUMBERS ARE FOUND ON THE POSITIVE SIDE OF THE LOAD.

GENERALLY, WIRE NUMBERS GET HIGHER AS THEY GET CLOSER TO THE LOAD.

ALL WIRES WITH THE SAME NUMBER BUT DIFFERENT SUFFIX LETTER ARE COMMON

CIRCUIT COLOR KEY

VAC FAN-ORANGE [ORG.]
 HEAD RAISE, DECREASE PRESSURE-LIGHT GREEN [LT. GRN.]
 HEAD LOWER, INCREASE PRESSURE-DARK GREEN [DK. GRN.]
 HEAD LOWER COIL-YELLOW [YELL.]
 HEAD LEFT GROUND LINE-GRAY
 SPEED CONTROL-PURPLE [PURP.]
 SPEED CONTROL GROUND LINE-WHITE
 BRUSH COIL-PINK
 BRUSHES-BLACK [BLK.] BROWN, TAN
 BRUSH BREAKER LIGHT-LIGHT BLUE [LT. BLUE]
 SOLUTION CIRCUIT-DARK BLUE [DK. BLUE]
 MAIN CIRCUIT SUPPLY [26 VDC]-RED

NOBLES®

A Tennant Company

12875 RANSOM STREET, HOLLAND MICHIGAN 49424 USA

1-800-739-9359 616-786-2330 FAX: 1-800-678-4240 CUSTOMER SERVICE: 1-800-365-6625

173263 REV. 02 (8-90)



PRINTED IN THE U.S.A.